



US00D614775S

(12) **United States Design Patent**  
**Snively**

(10) **Patent No.:** **US D614,775 S**  
(45) **Date of Patent:** **\*\* Apr. 27, 2010**

(54) **DECORATIVE COVERING FOR MEDICAL BOOT**

(76) Inventor: **Melissa Snively**, 522 Hartford Rd., Mt. Laurel, NJ (US) 08054

(\*\*) Term: **14 Years**

(21) Appl. No.: **29/315,718**

(22) Filed: **Jul. 17, 2009**

(51) **LOC (9) Cl.** ..... **24-01**

(52) **U.S. Cl.** ..... **D24/192**

(58) **Field of Classification Search** ..... D24/188-192, D24/206; D29/120.1, 120.2; 602/2-5, 17-23, 602/27, 43, 48, 54, 62, 65, 75, 79; 128/DIG. 15, 128/DIG. 23, 77, 94, 96.1, 100.1, 101.1, 128/106.1, 107.1, 882, 892; 604/332, 390, 604/397; 2/22; D2/911; 607/104, 110, 111  
See application file for complete search history.

(56) **References Cited**

**U.S. PATENT DOCUMENTS**

D278,567	S	*	4/1985	Rasmussen	.....	D29/120.1
4,608,718	A	*	9/1986	Reed	.....	2/22
4,641,639	A	*	2/1987	Padilla	.....	602/23
D323,239	S	*	1/1992	Rooke	.....	D2/911
D351,912	S	*	10/1994	Turtzo et al.	.....	D24/192
5,425,701	A	*	6/1995	Oster et al.	.....	602/23
D363,780	S	*	10/1995	Darby et al.	.....	D24/192
5,464,385	A	*	11/1995	Grim	.....	602/27
D388,174	S	*	12/1997	Stano	.....	D24/192
D473,654	S	*	4/2003	Iglesias et al.	.....	D24/192
D481,798	S	*	11/2003	Slautterback et al.	.....	D24/192
D505,727	S	*	5/2005	Krahner et al.	.....	D24/206
D519,211	S	*	4/2006	Doty et al.	.....	D24/192
D530,016	S	*	10/2006	Sroufe et al.	.....	D24/192
2002/0019657	A1	*	2/2002	Elkins	.....	607/111

\* cited by examiner

*Primary Examiner*—Philip S Hyder  
*Assistant Examiner*—Susan E Krakower  
(74) *Attorney, Agent, or Firm*—Stuart M. Goldstein

(57) **CLAIM**

The ornamental design for a decorative covering for medical boot, as shown and described.

**DESCRIPTION**

FIG. 1 is an isometric front view of the present invention design in use on a medical boot.

FIG. 2 is a side elevation view of the present invention design in use on a medical boot.

FIG. 3 is the opposite side elevation view of the present invention design in use on a medical boot.

FIG. 4 is a front view of the present invention design as it would be used on a medical boot.

FIG. 5 is the rear view of the present invention design as it would be used on a medical boot.

FIG. 6 is a bottom view of the present invention design as it would be used on a medical boot.

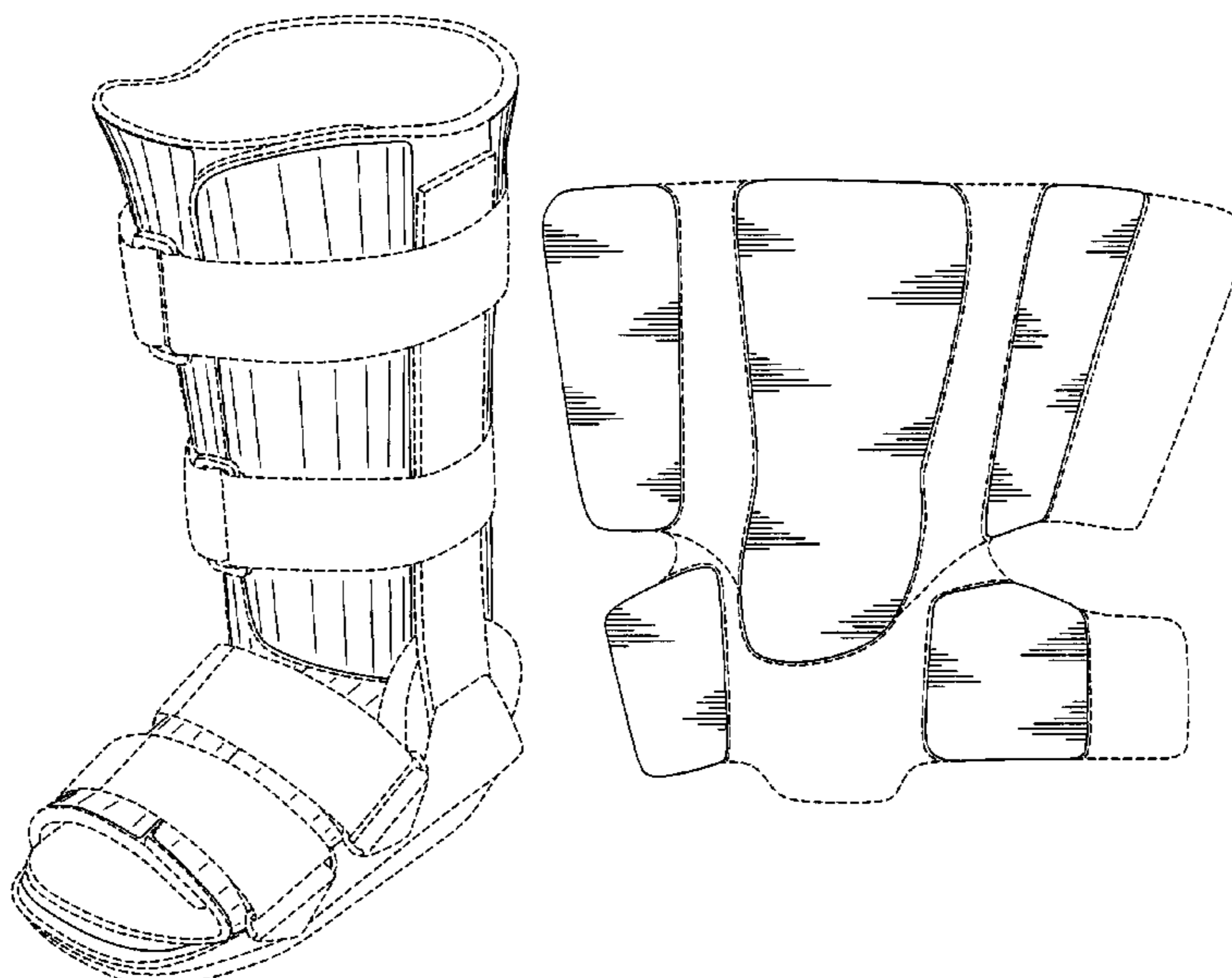
FIG. 7 is a top view of the present invention design as it would be used on a medical boot; and,

FIG. 8 shows all the pieces of the present invention design as they would be fully laid out on the stretched out material of a medical boot.

The broken lines in FIGS. 1-7 showing the medical boot are included for the purpose of illustrating environmental structure and form no part of the claimed design.

The broken lines in FIG. 8 showing the covering of the medical boot stretched out flat are included for the purpose of illustration portions of the disclosure which form no part of the claimed design.

**1 Claim, 5 Drawing Sheets**



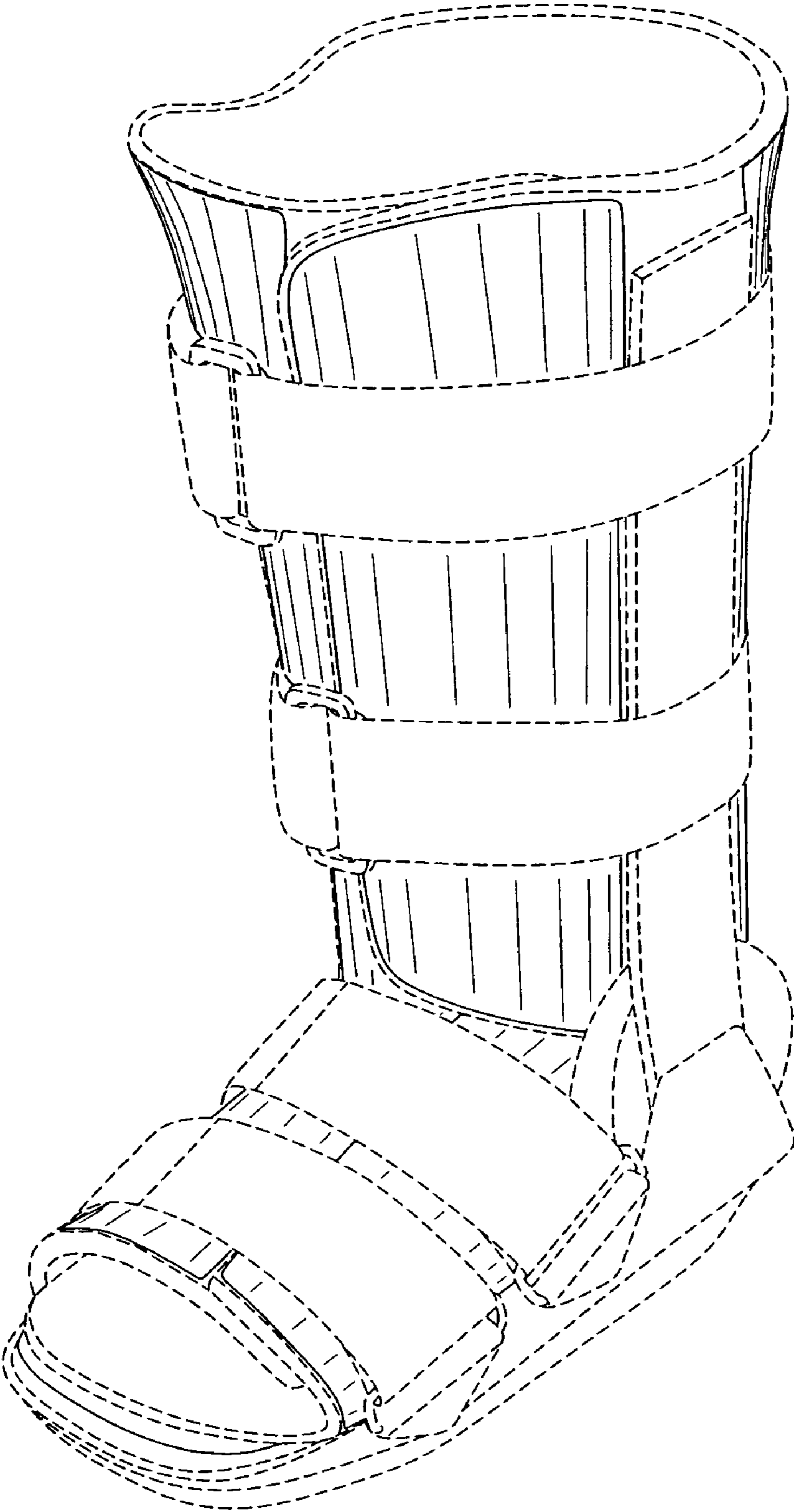


FIG. 1

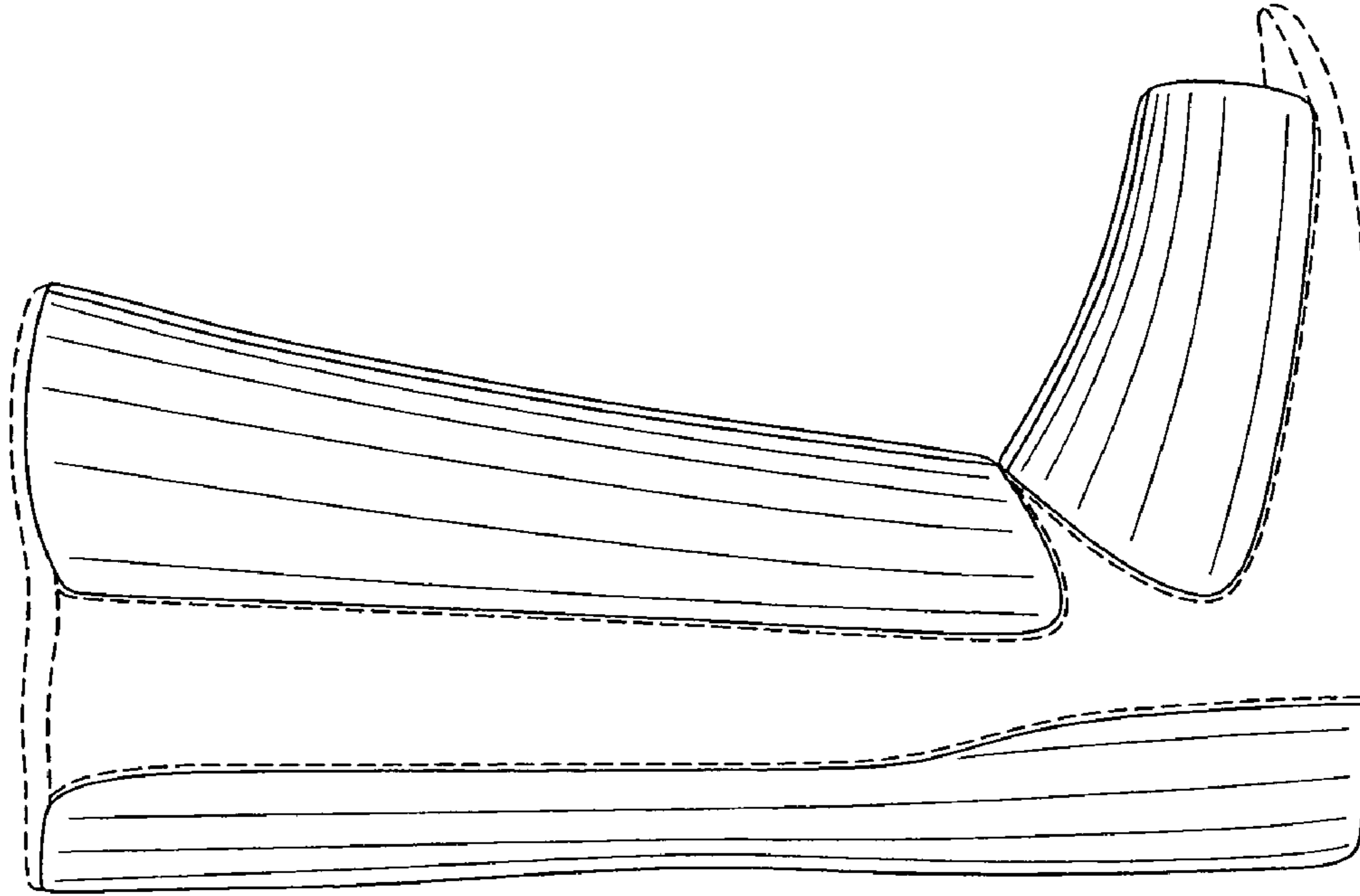


FIG. 2

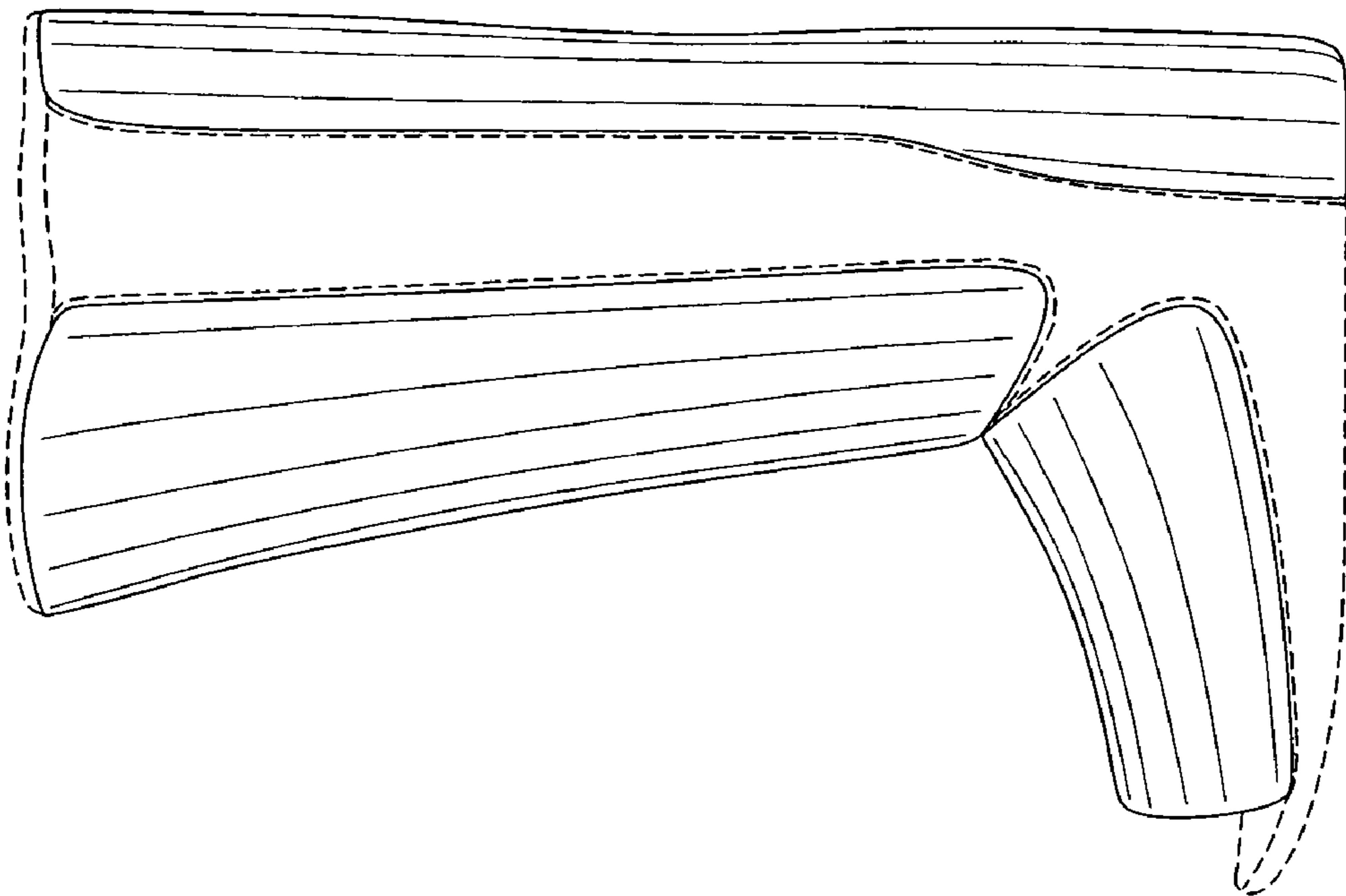


FIG. 3

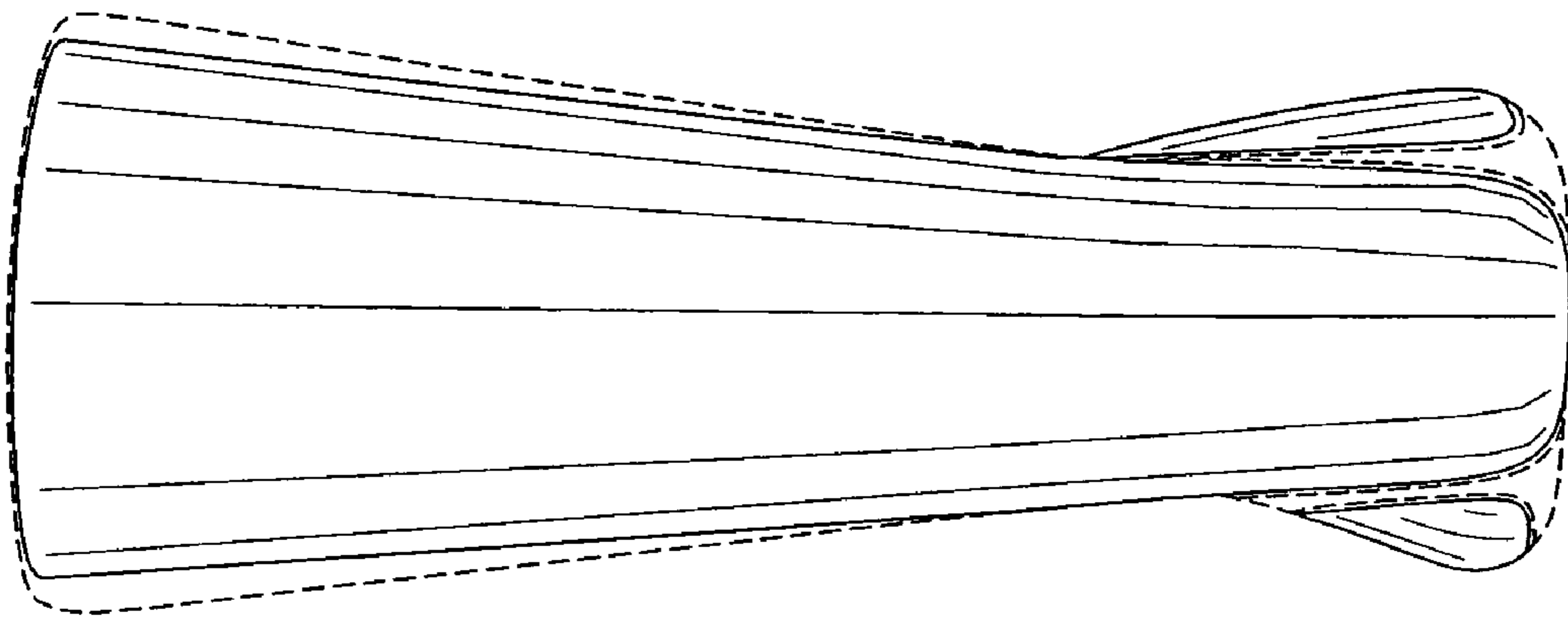


FIG. 5

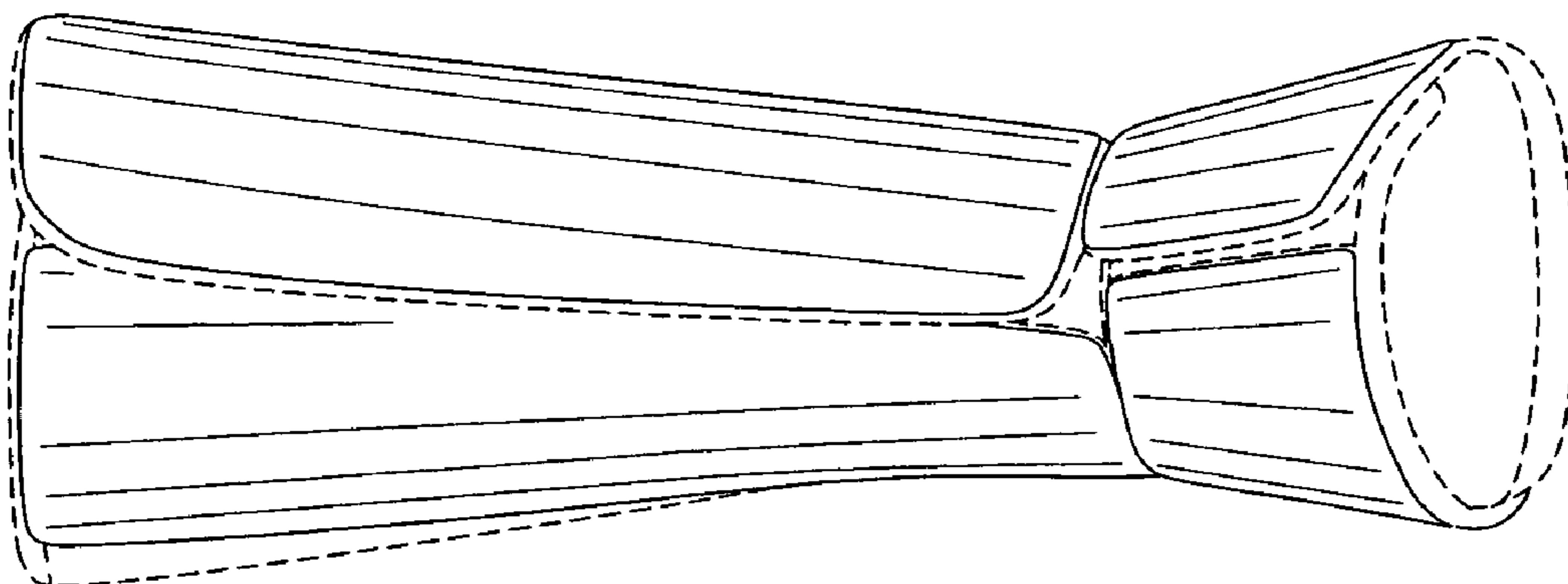


FIG. 4

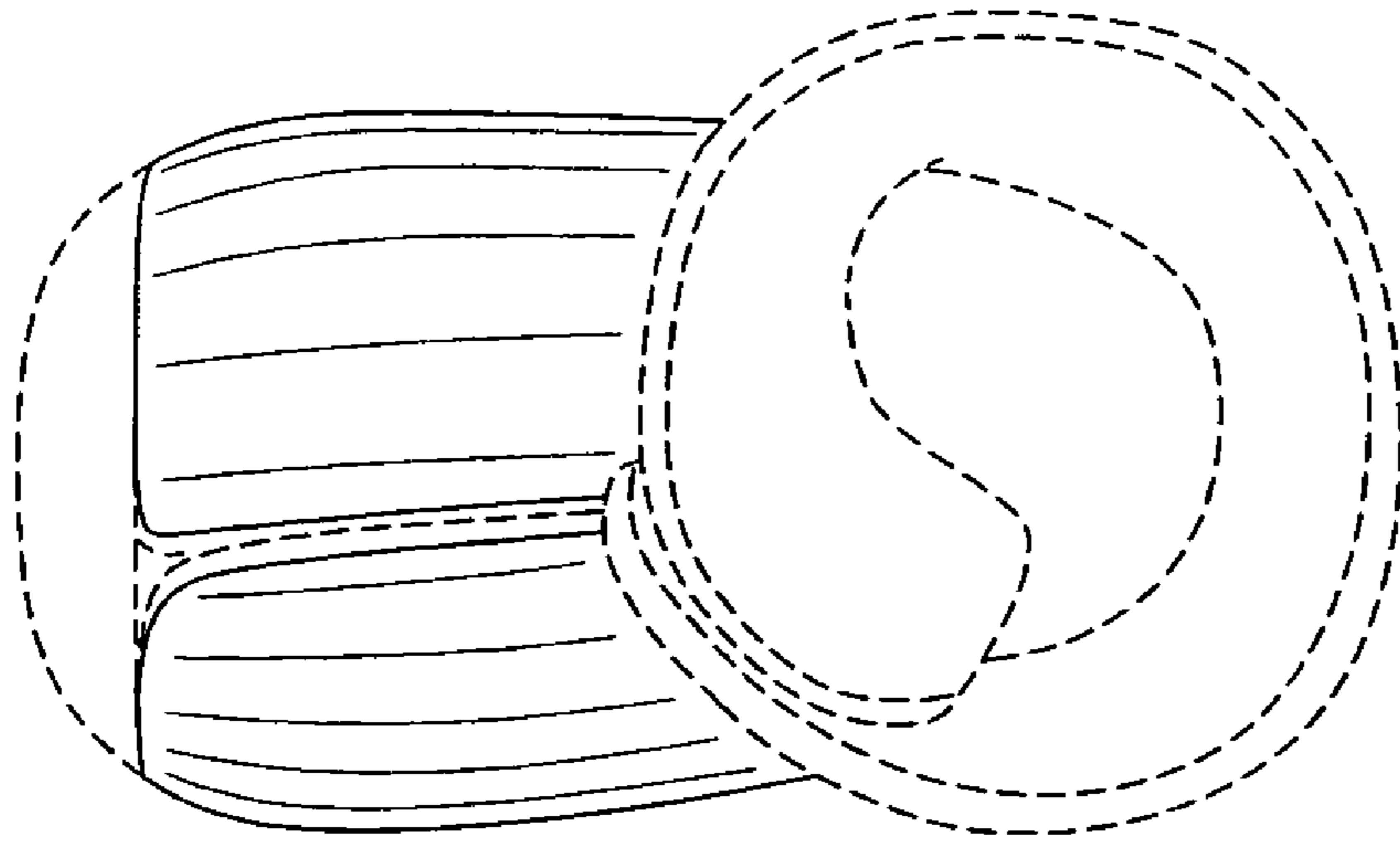


FIG. 7

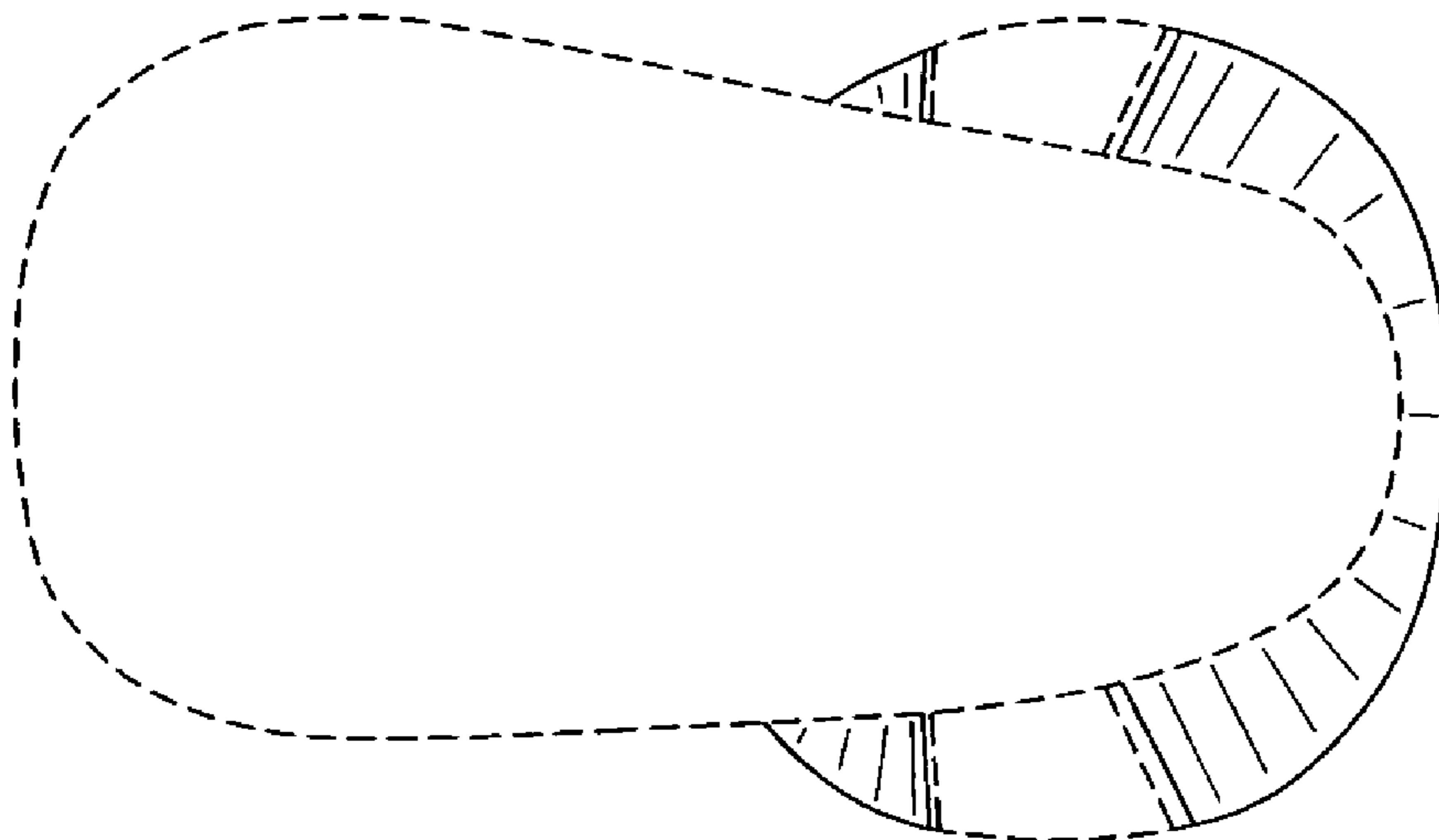


FIG. 6

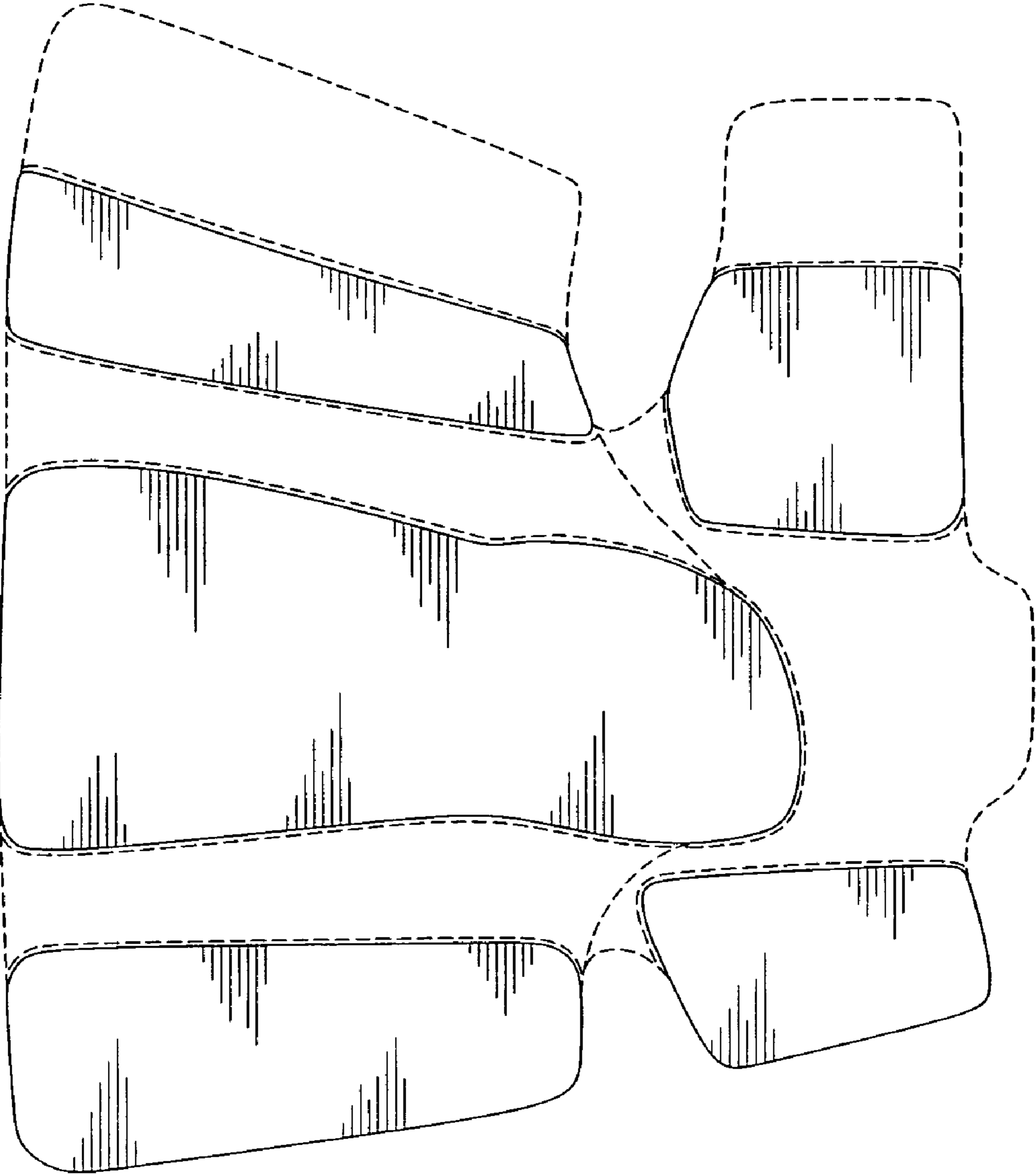


FIG. 8