



US00D614771S

(12) **United States Design Patent**
Stead

(10) **Patent No.:** **US D614,771 S**

(45) **Date of Patent:** **** Apr. 27, 2010**

(54) **IRRADIATION APPARATUS**

(75) Inventor: **Ian Stead**, Newport (GB)

(73) Assignee: **Photo Therapeutics Limited**,
Altrincham (GB)

(**) Term: **14 Years**

(21) Appl. No.: **29/323,715**

(22) Filed: **Aug. 29, 2008**

(30) **Foreign Application Priority Data**

Feb. 29, 2008 (EP) I 000895545

(51) **LOC (9) Cl.** **24-01**

(52) **U.S. Cl.** **D24/158**

(58) **Field of Classification Search** D24/158-161,
D24/209, 210, 231, 232; 250/475.2, 504 R,
250/504 H, 461.1, 461.2; 362/800; 606/2,
606/13, 27, 32, 41; 607/145, 150

See application file for complete search history.

(56) **References Cited**

U.S. PATENT DOCUMENTS

D207,519 S * 4/1967 Waine D24/158
D274,265 S * 6/1984 Gorbahn D24/210
D387,163 S * 12/1997 Osthues et al. D24/158
6,119,038 A * 9/2000 Cook 607/3

D479,879 S * 9/2003 Dickinson D24/232
6,801,808 B2 * 10/2004 Lee 607/76
D503,980 S * 4/2005 Sayre et al. D24/158
D519,643 S * 4/2006 Lansohn D24/209
D548,837 S * 8/2007 Oikawa D24/158
D552,747 S * 10/2007 Chang D24/209

* cited by examiner

Primary Examiner—T. Chase Nelson

Assistant Examiner—Anhdao Doan

(74) *Attorney, Agent, or Firm*—Sterne Kessler Goldstein &
Fox PLLC

(57) **CLAIM**

The ornamental design for an irradiation apparatus, as shown
and described.

DESCRIPTION

FIG. 1 is a front perspective view of an irradiation apparatus
showing my new design;

FIG. 2 is a front view thereof;

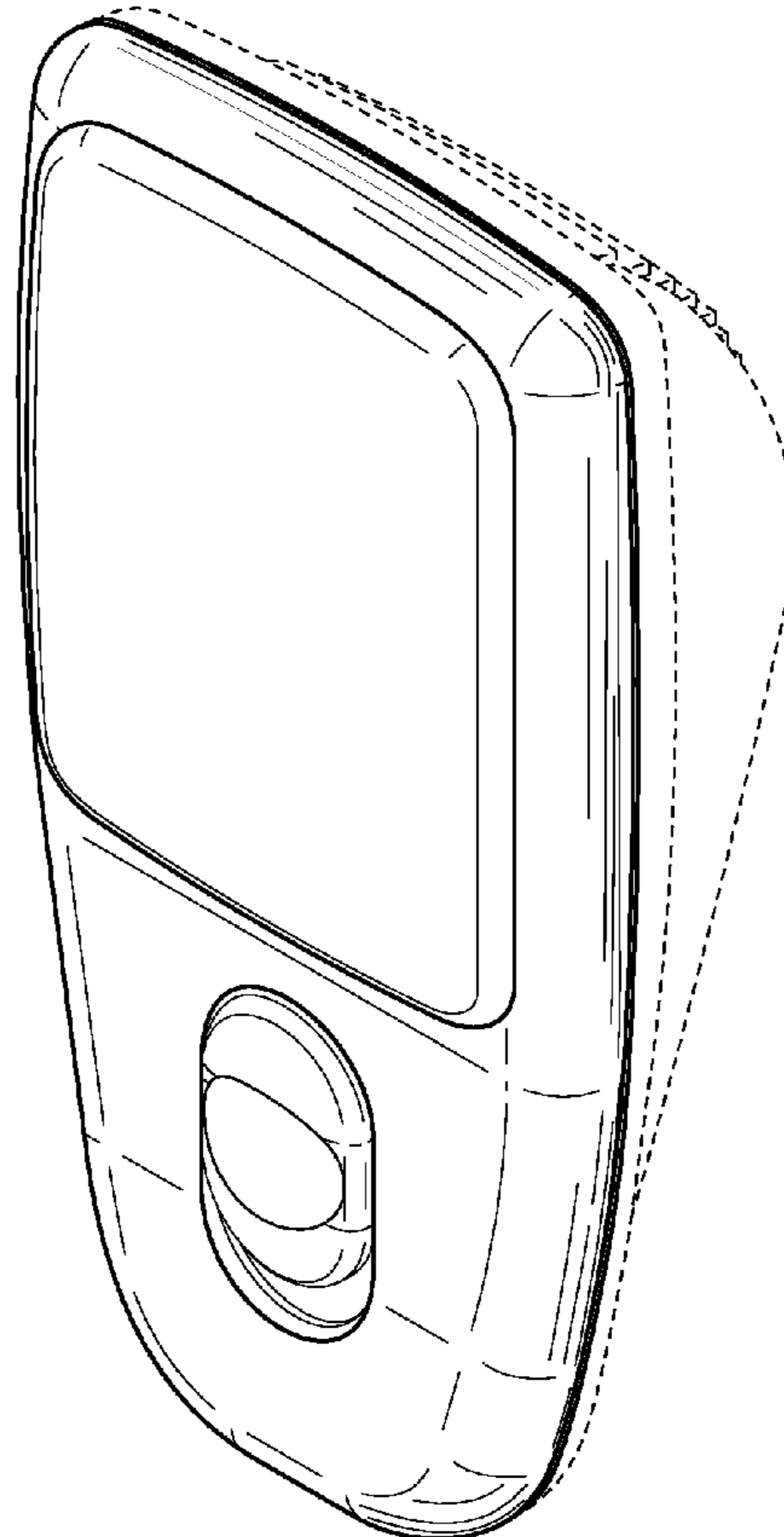
FIG. 3 is a left side view thereof;

FIG. 4 is a right side view thereof; and,

FIG. 5 is a top plan view thereof.

The broken lines in the Figures are portions of the irradiation
apparatus that form no part of the claimed design.

1 Claim, 5 Drawing Sheets



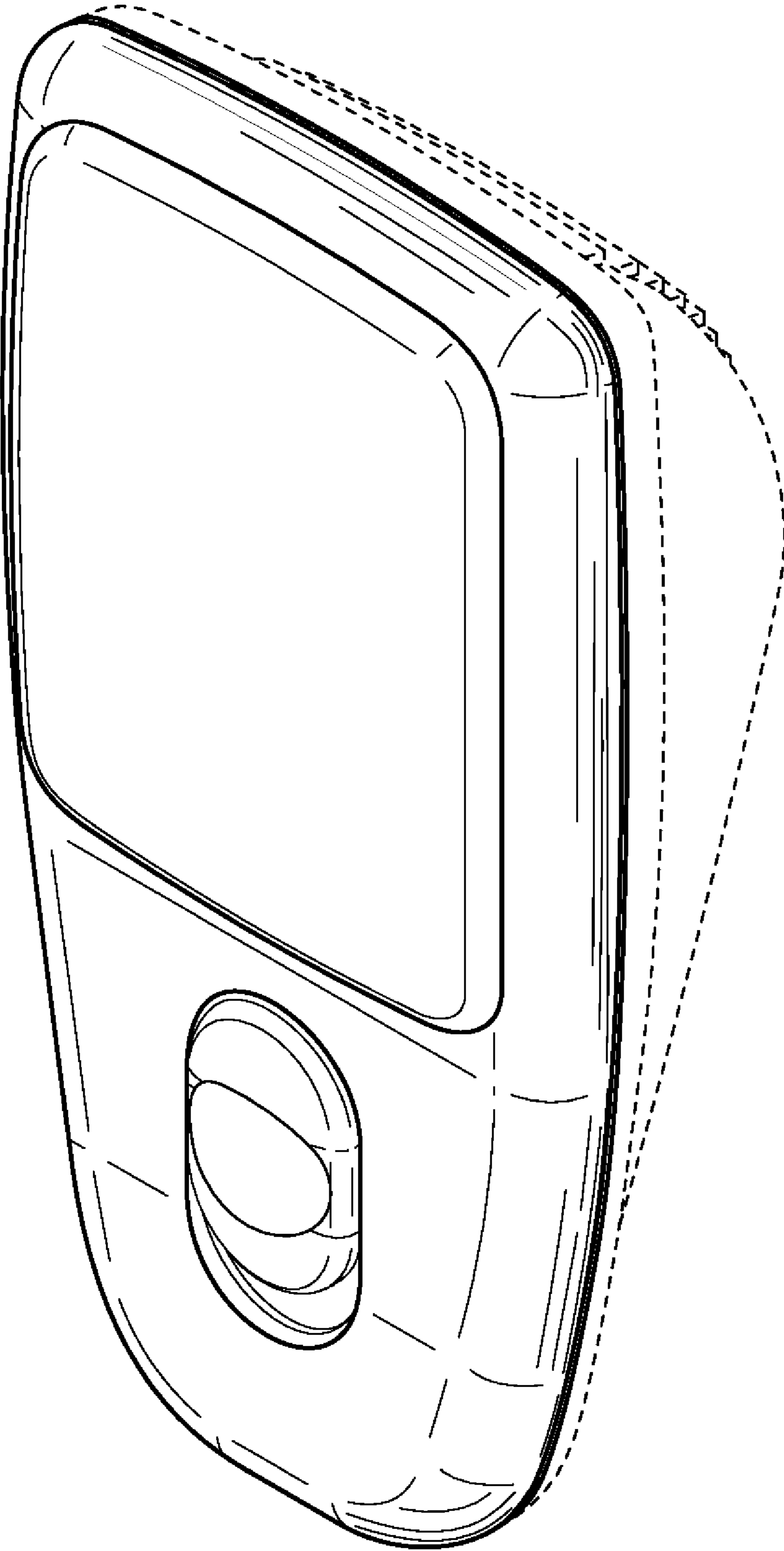


FIG. 1

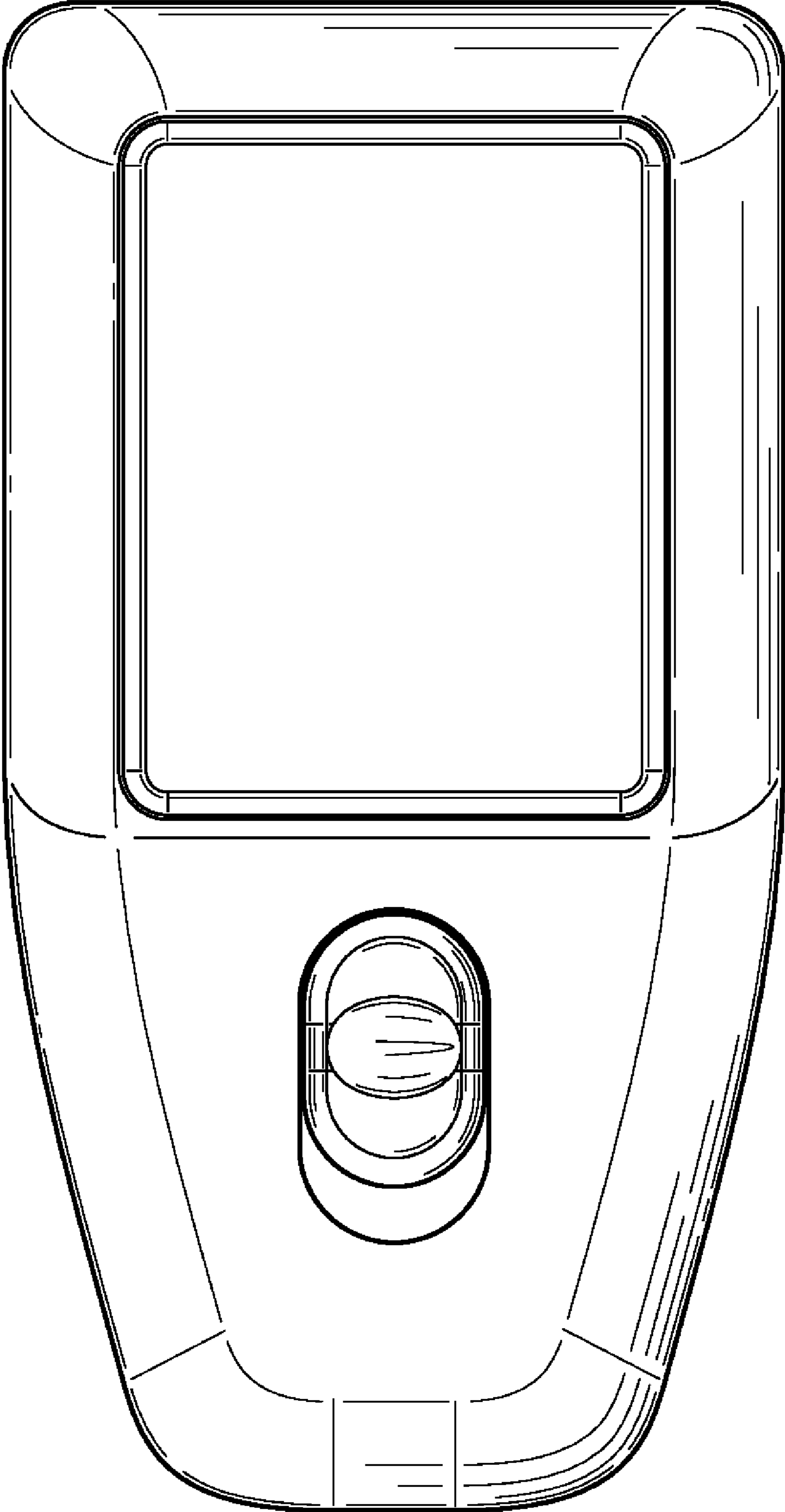


FIG. 2

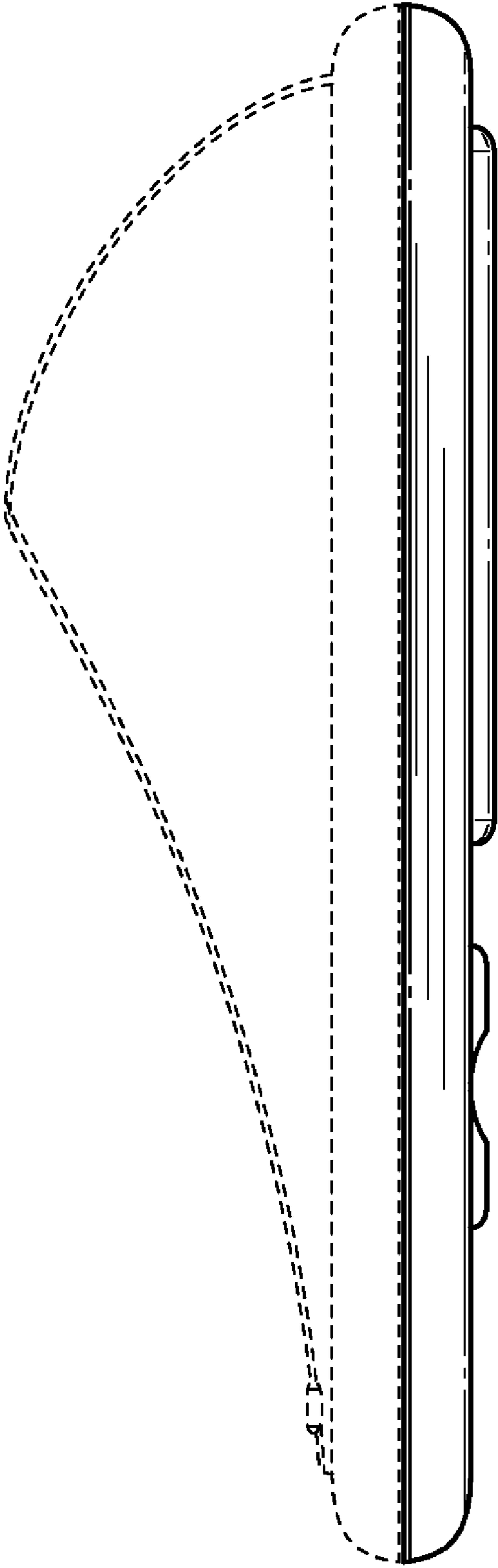


FIG. 3

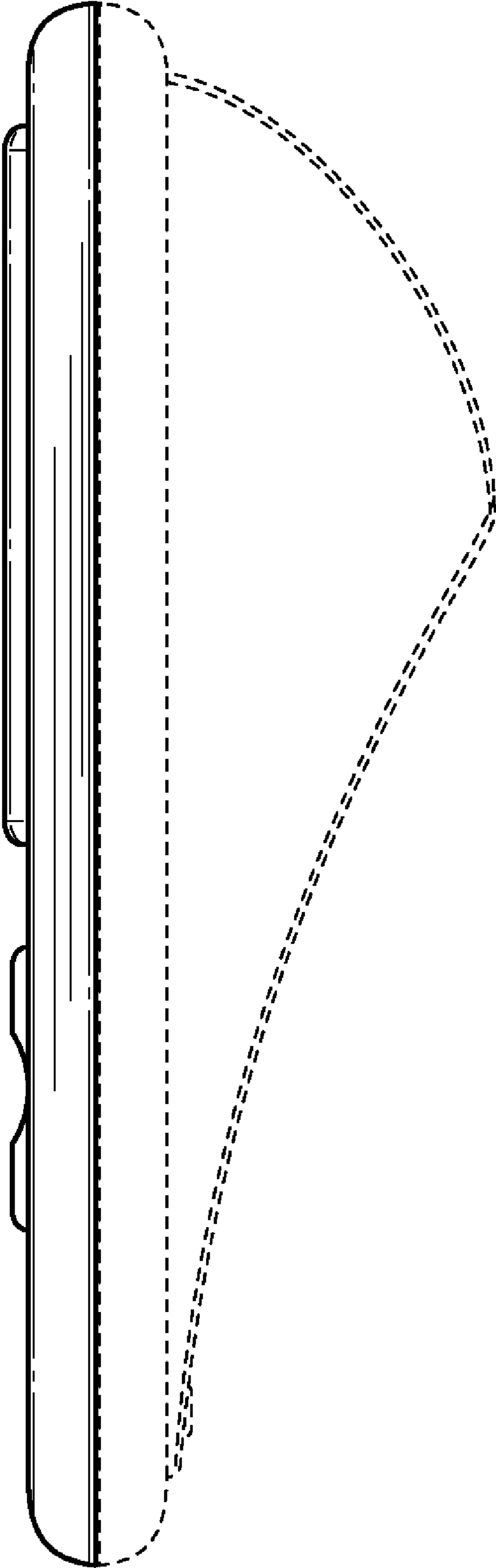


FIG. 4

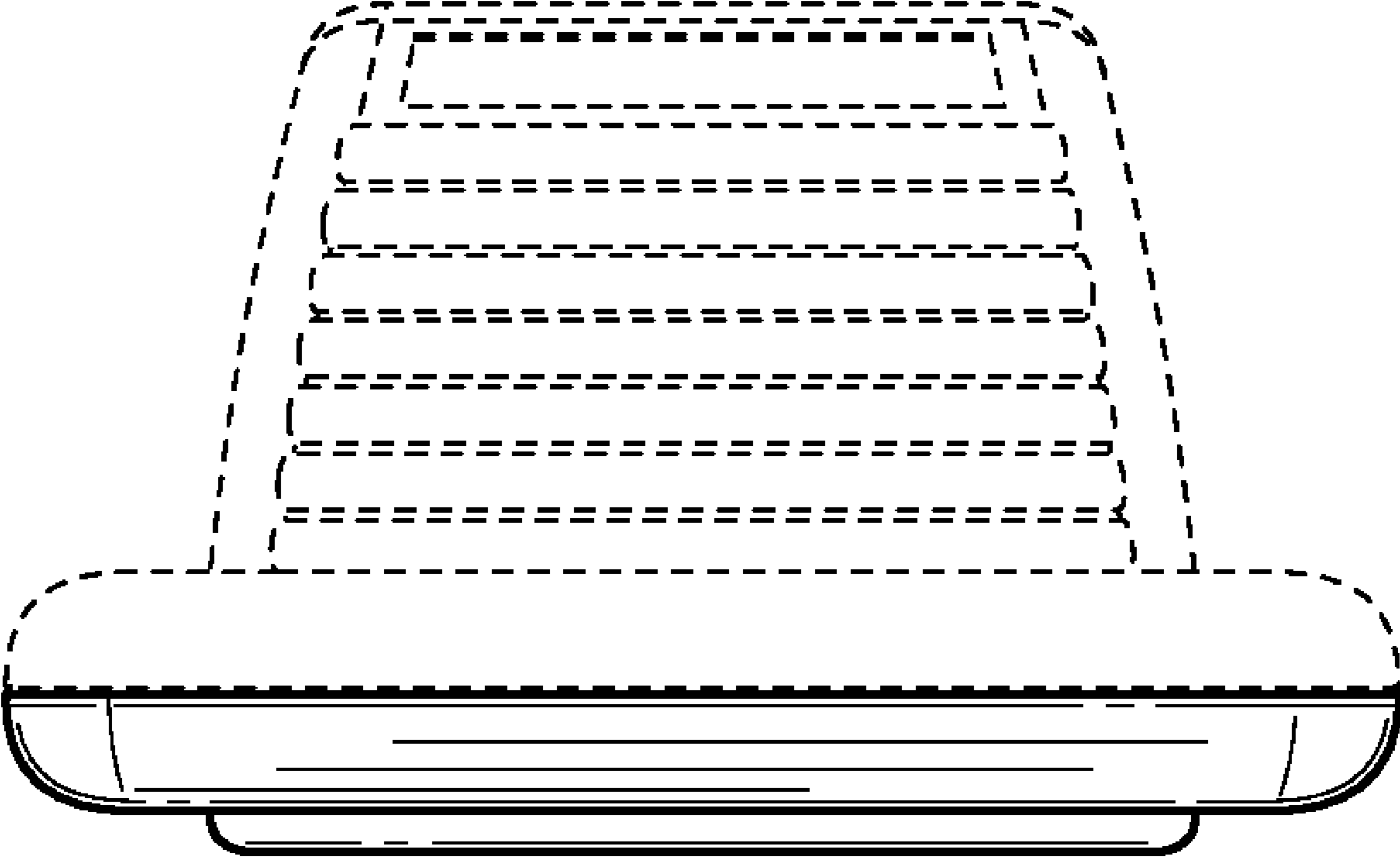


FIG. 5