



US00D614769S

(12) **United States Design Patent**
Vogel et al.

(10) **Patent No.:** **US D614,769 S**
(45) **Date of Patent:** **** Apr. 27, 2010**

(54) **INTERFACE**

(75) Inventors: **Urs Vogel**, Schaffhaus (CH); **Dieter Huels**, Stockach (DE)

(73) Assignee: **Karl Storz GmbH & Co. KG** (DE)

(**) Term: **14 Years**

(21) Appl. No.: **29/318,005**

(22) Filed: **May 12, 2008**

(30) **Foreign Application Priority Data**

Nov. 12, 2007 (EM) 000824495

(51) **LOC (9) Cl.** **24-02**

(52) **U.S. Cl.** **D24/138**

(58) **Field of Classification Search** D24/133,
D24/135, 176, 152, 156, 140, 141, 143, 137,
D24/138, 160; 600/206, 214, 164, 157, 156,
600/200, 113, 135, 138, 121, 131, 153; 606/191,
606/196, 197, 198; D8/107

See application file for complete search history.

(56) **References Cited**

U.S. PATENT DOCUMENTS

- D349,340 S * 8/1994 Snoke et al. D24/138
- D358,471 S * 5/1995 Cope et al. D24/137
- D416,088 S * 11/1999 Krauter et al. D24/137
- D434,147 S * 11/2000 Ward et al. D24/137

- D484,022 S * 12/2003 Tsai D8/107
- D532,026 S * 11/2006 Sosniak et al. D16/130
- D534,655 S * 1/2007 Iranyi et al. D24/138
- D541,490 S * 4/2007 Madson D30/156
- D545,965 S * 7/2007 Shigemori et al. D24/138
- D590,502 S * 4/2009 Geisser et al. D24/133

* cited by examiner

Primary Examiner—Ian Simmons

Assistant Examiner—Charles D Hanson

(74) *Attorney, Agent, or Firm*—St. Onge Steward Johnston & Reens LLC

(57) **CLAIM**

The ornamental design for an interface, as shown and described.

DESCRIPTION

FIG. 1 is a front isometric view of an interface in accordance with the new design;

FIG. 2 is a right side elevational view thereof;

FIG. 3 is a top plan view thereof;

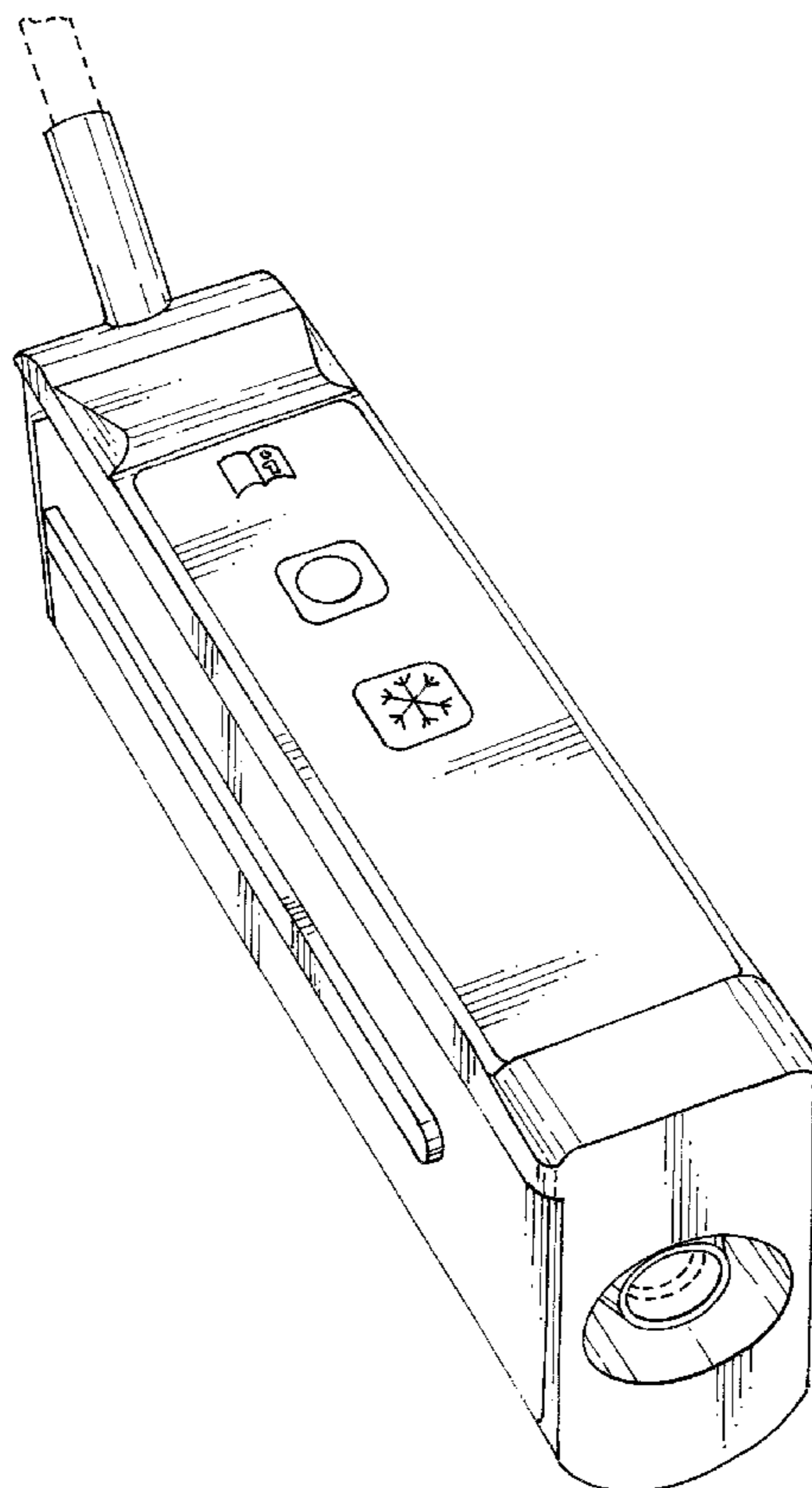
FIG. 4 is a left side elevational view thereof;

FIG. 5 is a bottom plan view thereof;

FIG. 6 is a front elevational view thereof; and,

FIG. 7 is rear elevational view thereof.

1 Claim, 4 Drawing Sheets



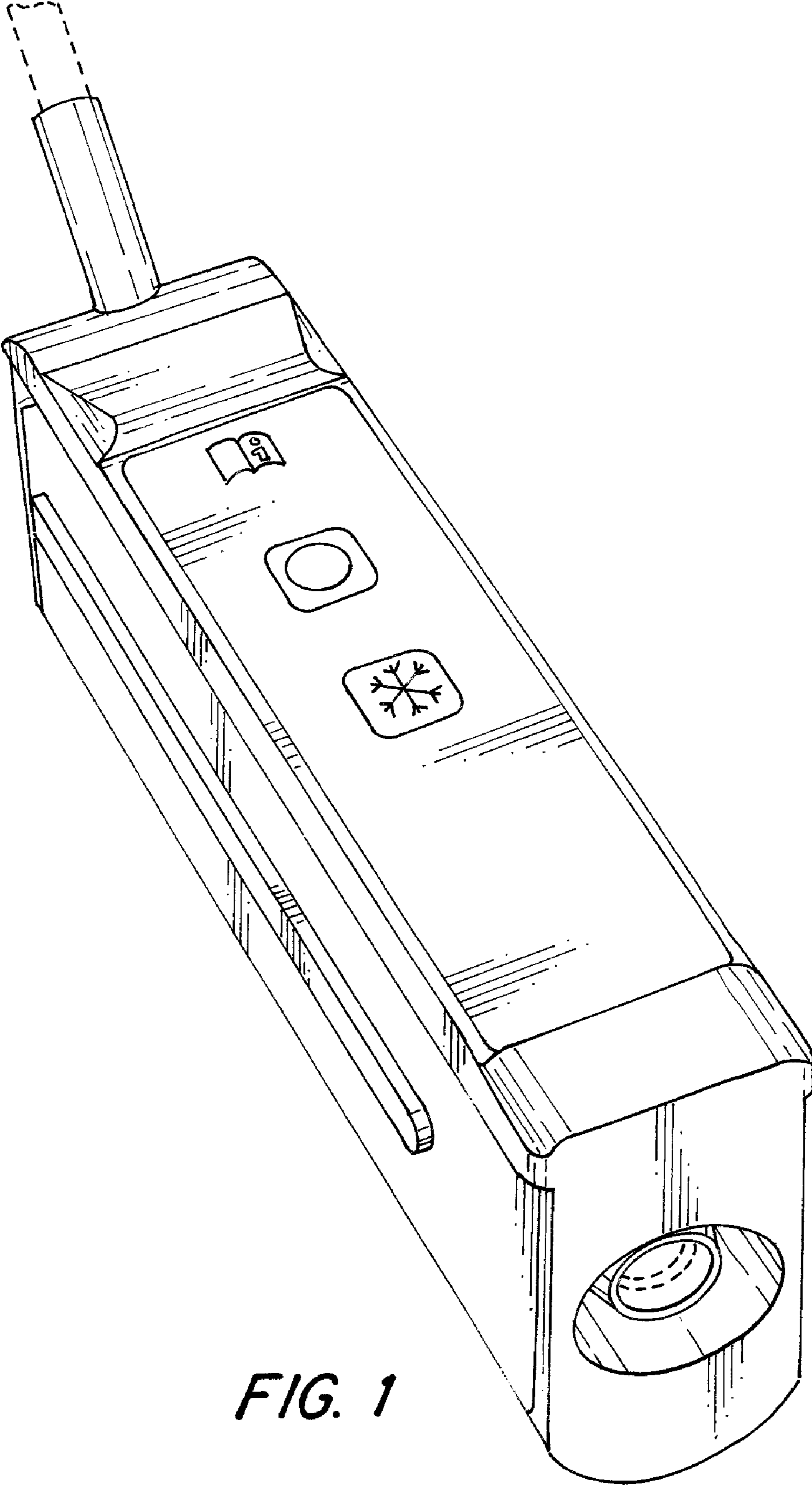


FIG. 1

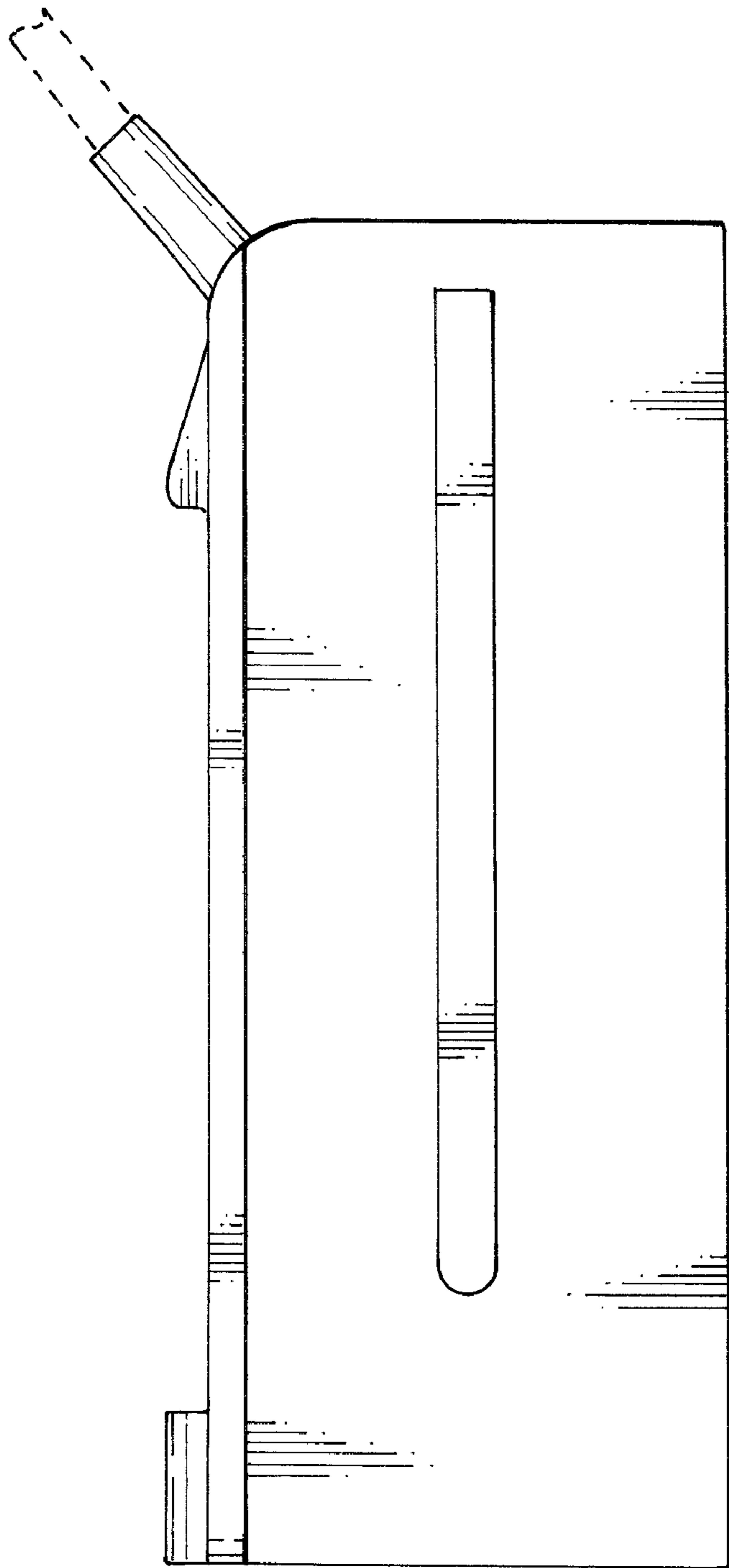


FIG. 2

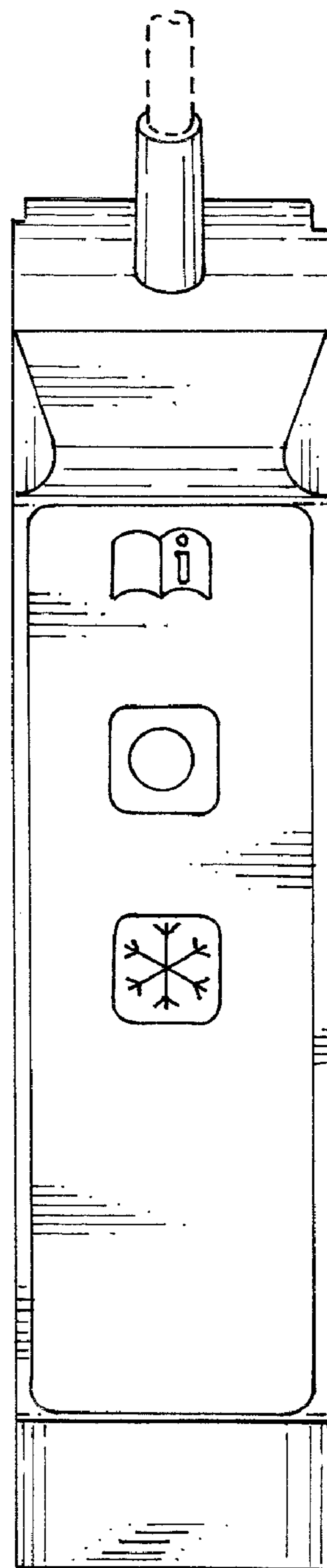


FIG. 3

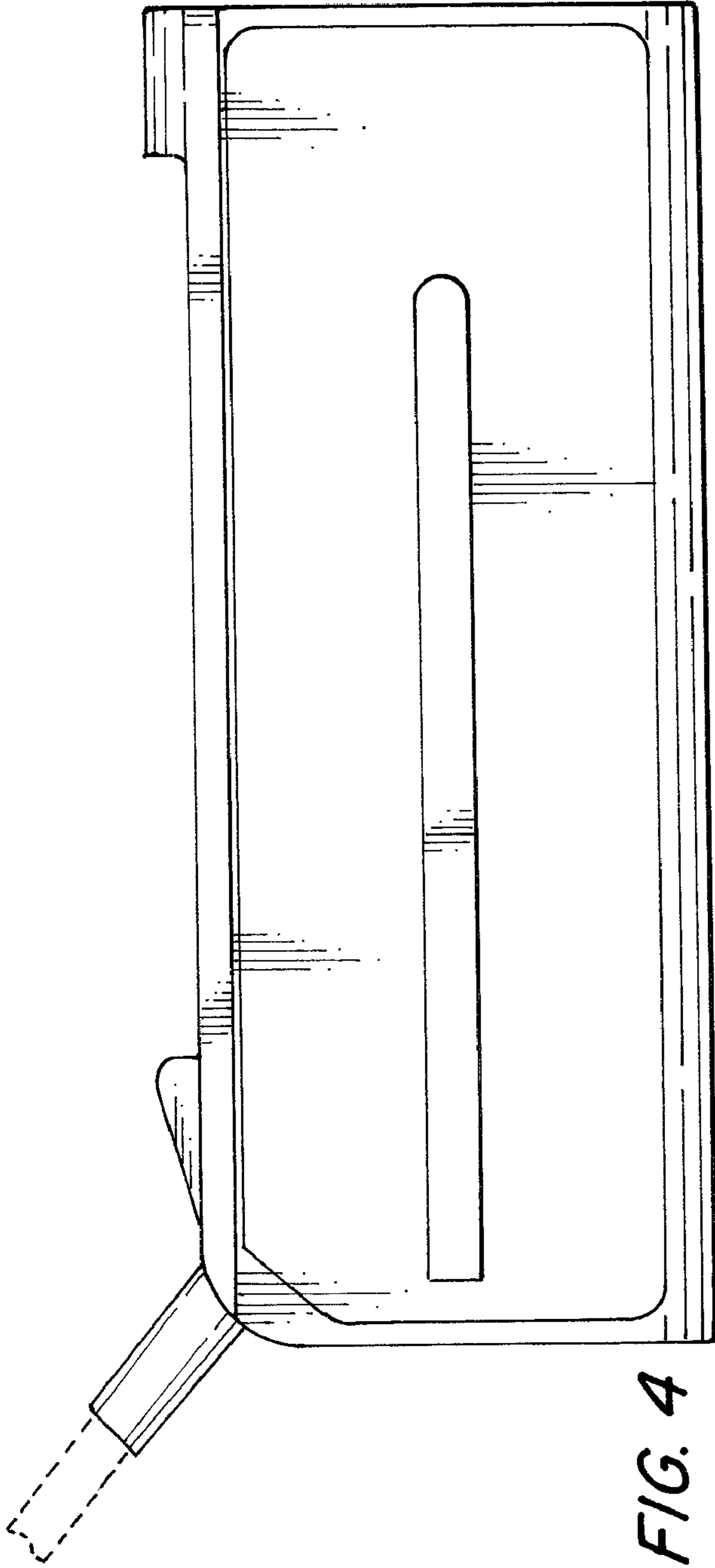


FIG. 4

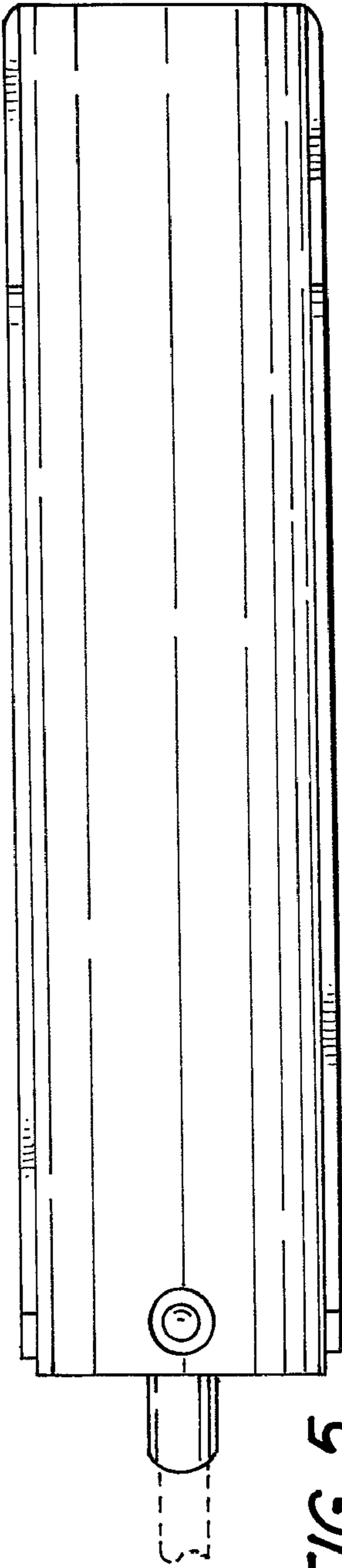


FIG. 5

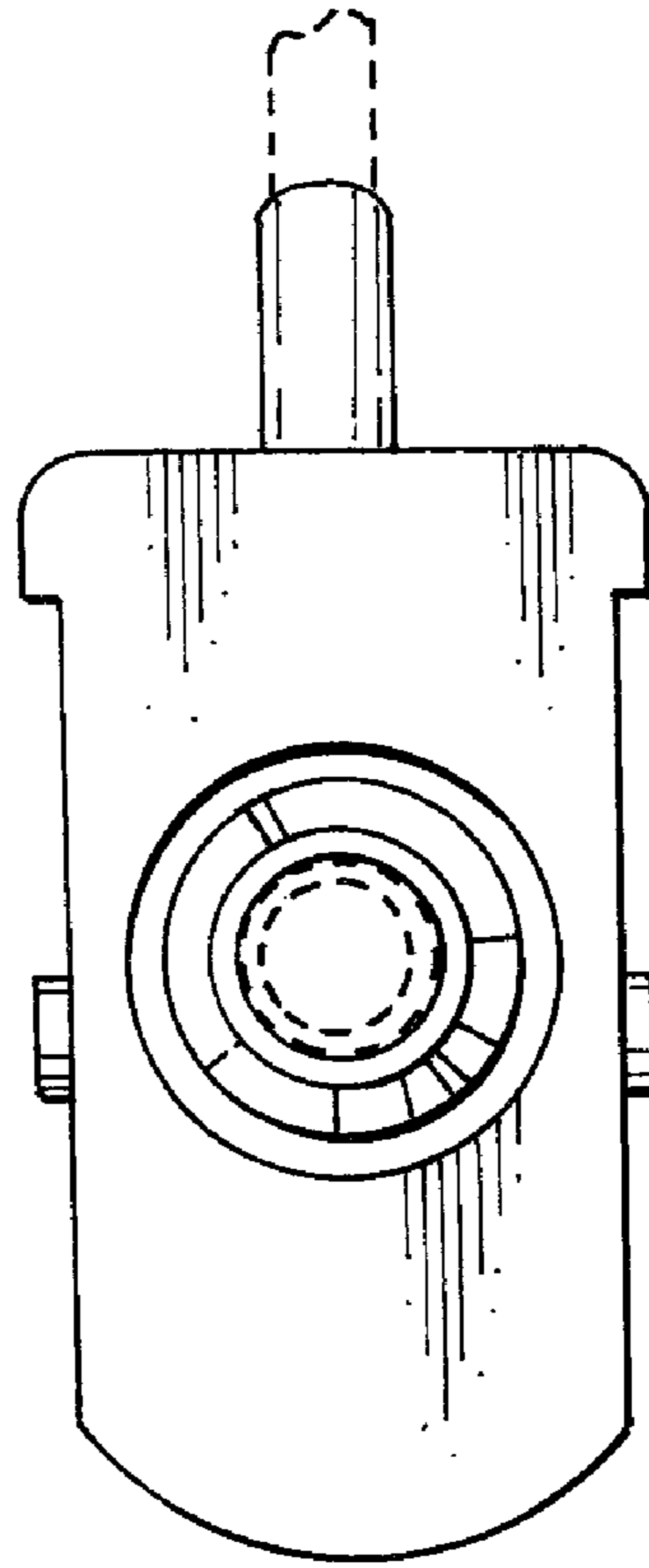


FIG. 6

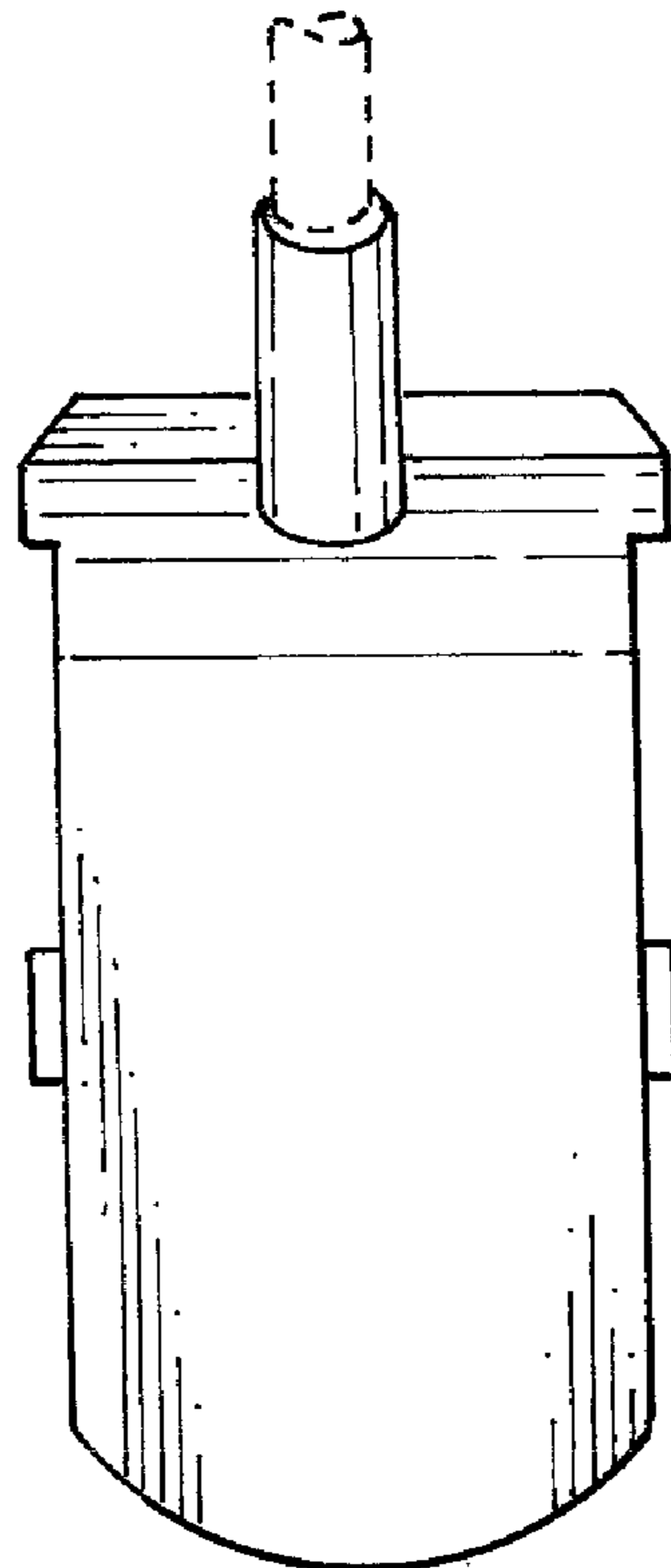


FIG. 7

UNITED STATES PATENT AND TRADEMARK OFFICE
CERTIFICATE OF CORRECTION

PATENT NO. : Des. 614,769 S
APPLICATION NO. : 29/318005
DATED : April 27, 2010
INVENTOR(S) : Urs Vogel et al.

Page 1 of 1

It is certified that error appears in the above-identified patent and that said Letters Patent is hereby corrected as shown below:

On the Title Page

Item (75) Inventors should read: Urs Vogel, Schaffhausen (CH)

Signed and Sealed this

First Day of June, 2010

A handwritten signature in black ink that reads "David J. Kappos". The signature is written in a cursive, flowing style.

David J. Kappos
Director of the United States Patent and Trademark Office