



US00D614768S

(12) **United States Design Patent**
Piferi

(10) **Patent No.:** **US D614,768 S**

(45) **Date of Patent:** **** Apr. 27, 2010**

(54) **CONTROL UNIT FOR MEDICAL INTERVENTIONAL SYSTEMS**

2010/0022967 A1* 1/2010 Mendels 604/246

* cited by examiner

(75) Inventor: **Peter Piferi**, Orange, CA (US)

Primary Examiner—Elizabeth A Albert

Assistant Examiner—Karen E Eldridge Powers

(73) Assignee: **SurgiVision, Inc.**, Memphis, TN (US)

(74) *Attorney, Agent, or Firm*—Myers Bigel Sibley & Sajovec, P.A.

(**) Term: **14 Years**

(21) Appl. No.: **29/331,508**

(57) **CLAIM**

(22) Filed: **Jan. 27, 2009**

The ornamental design for a control unit for medical interventional systems, as shown and described.

(51) **LOC (9) Cl.** **24-02**

(52) **U.S. Cl.** **D24/129**

(58) **Field of Classification Search** D24/107, D24/108, 111, 112, 113, 127, 129, 130, 133, D24/155; 137/625.41; 251/310; 285/26; 600/563; 601/152; 604/41, 80, 83, 93.01, 604/164.01, 167.05, 173, 246, 247, 248, 604/257, 284, 288.02, 288.04, 407, 523
See application file for complete search history.

DESCRIPTION

FIG. 1 is a side perspective view of a control unit for medical interventional systems, showing my new design;

FIG. 2 is a top plan view thereof;

FIG. 3 is a bottom plan view thereof;

FIG. 4 is a side view thereof;

FIG. 5 is a side view thereof, opposite that shown in FIG. 4;

FIG. 6 is an end view thereof;

FIG. 7 is an end view thereof, opposite that shown in FIG. 6;

and,

FIG. 8 is a top perspective view of a control unit for medical interventional systems, showing my new design in an exemplary environment.

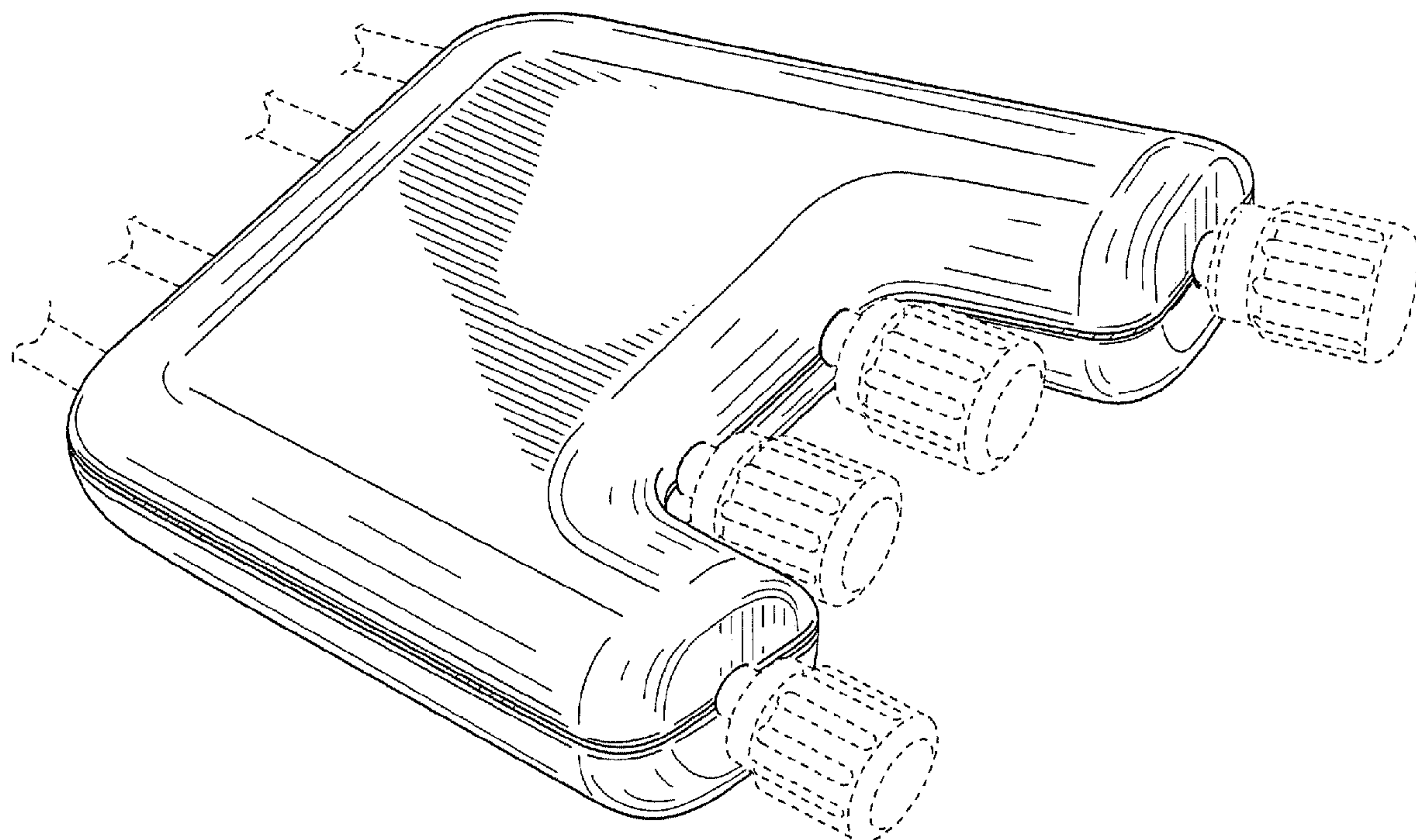
The broken lines shown herein illustrate environmental matter and form no part of the claimed design.

(56) **References Cited**

U.S. PATENT DOCUMENTS

3,957,082	A *	5/1976	Fuson et al.	137/625.41
4,804,208	A *	2/1989	Dye	285/26
5,219,185	A *	6/1993	Oddenino	285/26
D373,191	S *	8/1996	Ribando et al.	D24/129
6,585,669	B2 *	7/2003	Manor et al.	601/152
D547,447	S *	7/2007	Bruce et al.	D24/130
D585,985	S *	2/2009	Aaberg et al.	D24/129

1 Claim, 6 Drawing Sheets



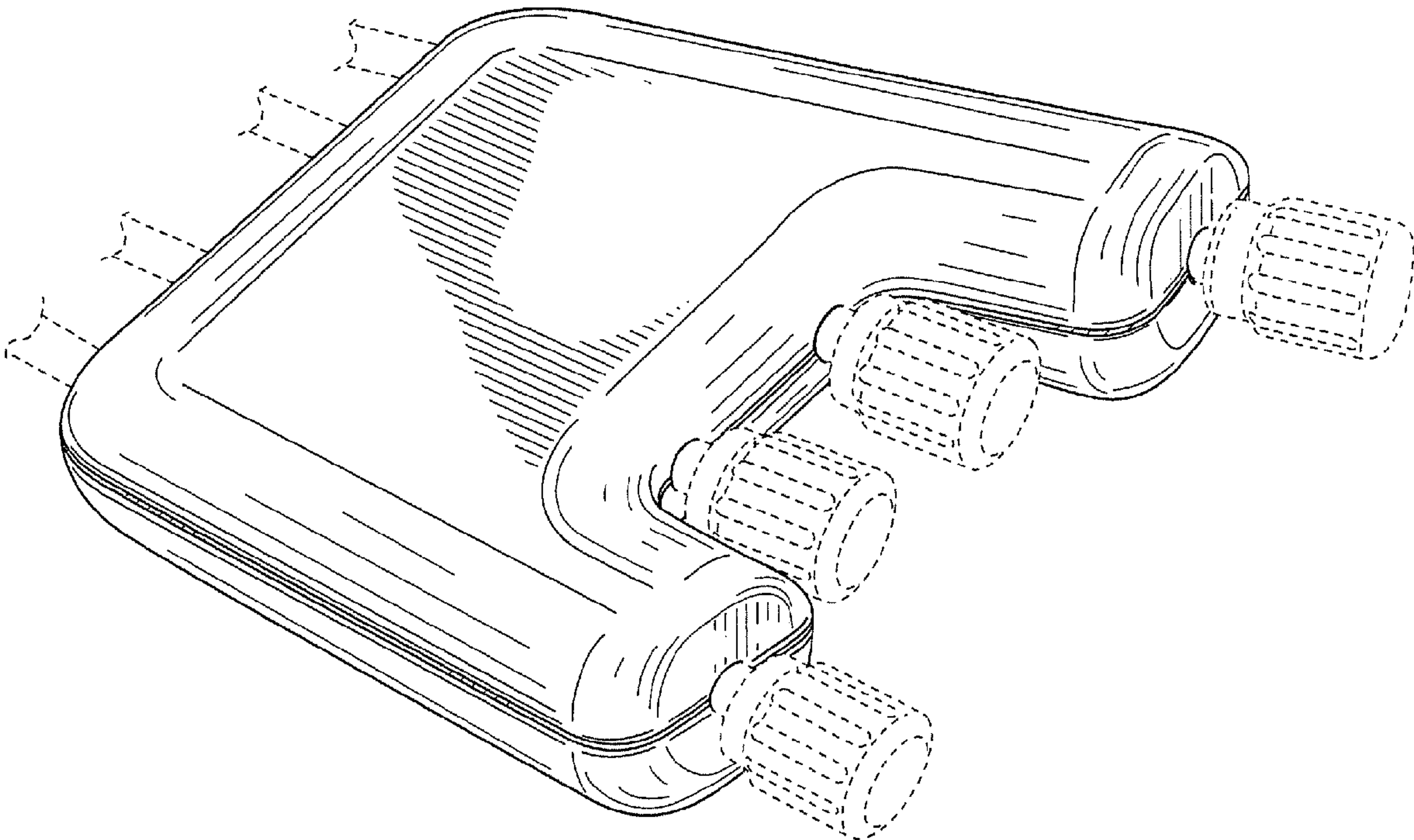


FIG. 1

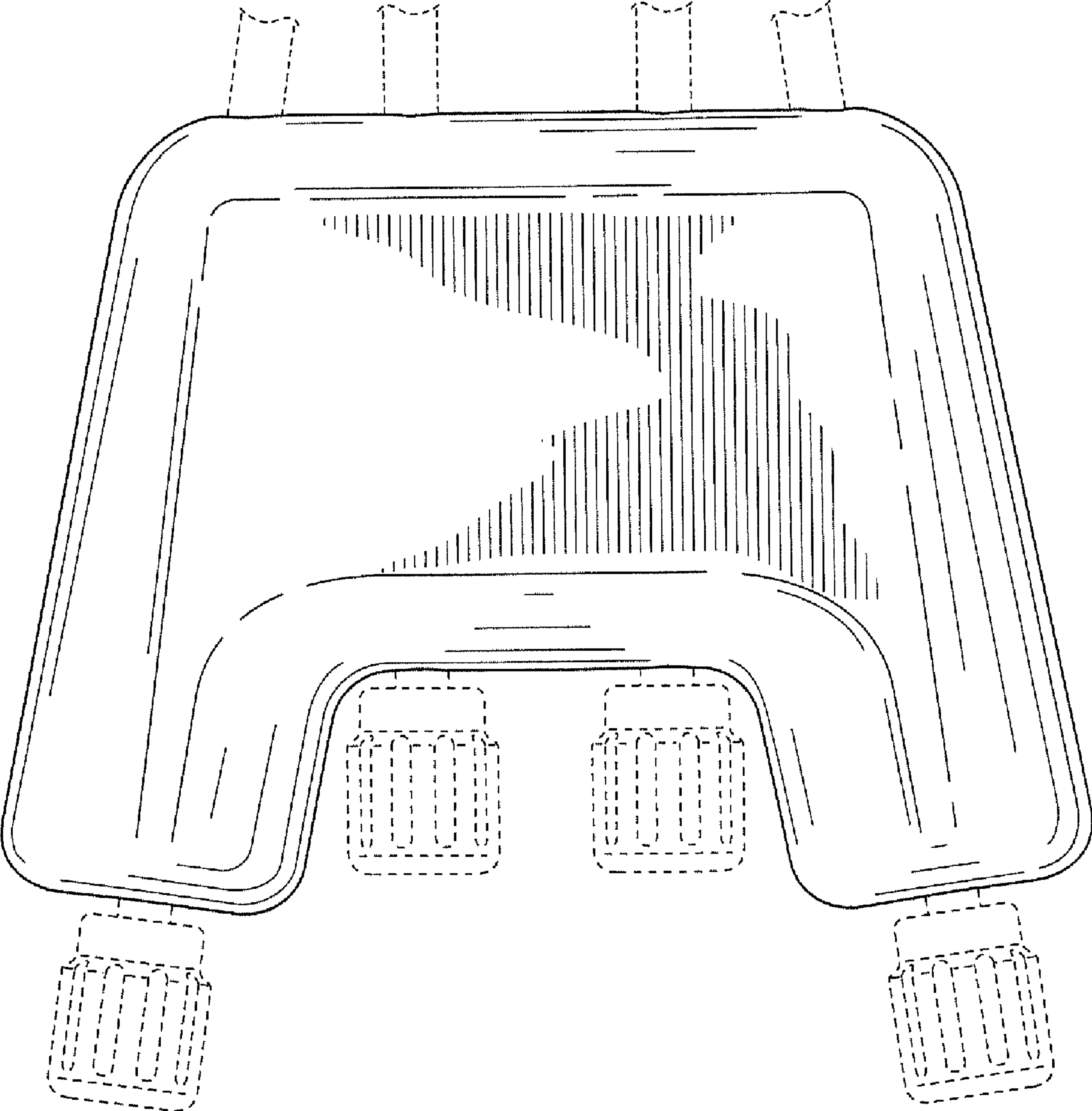


FIG. 2

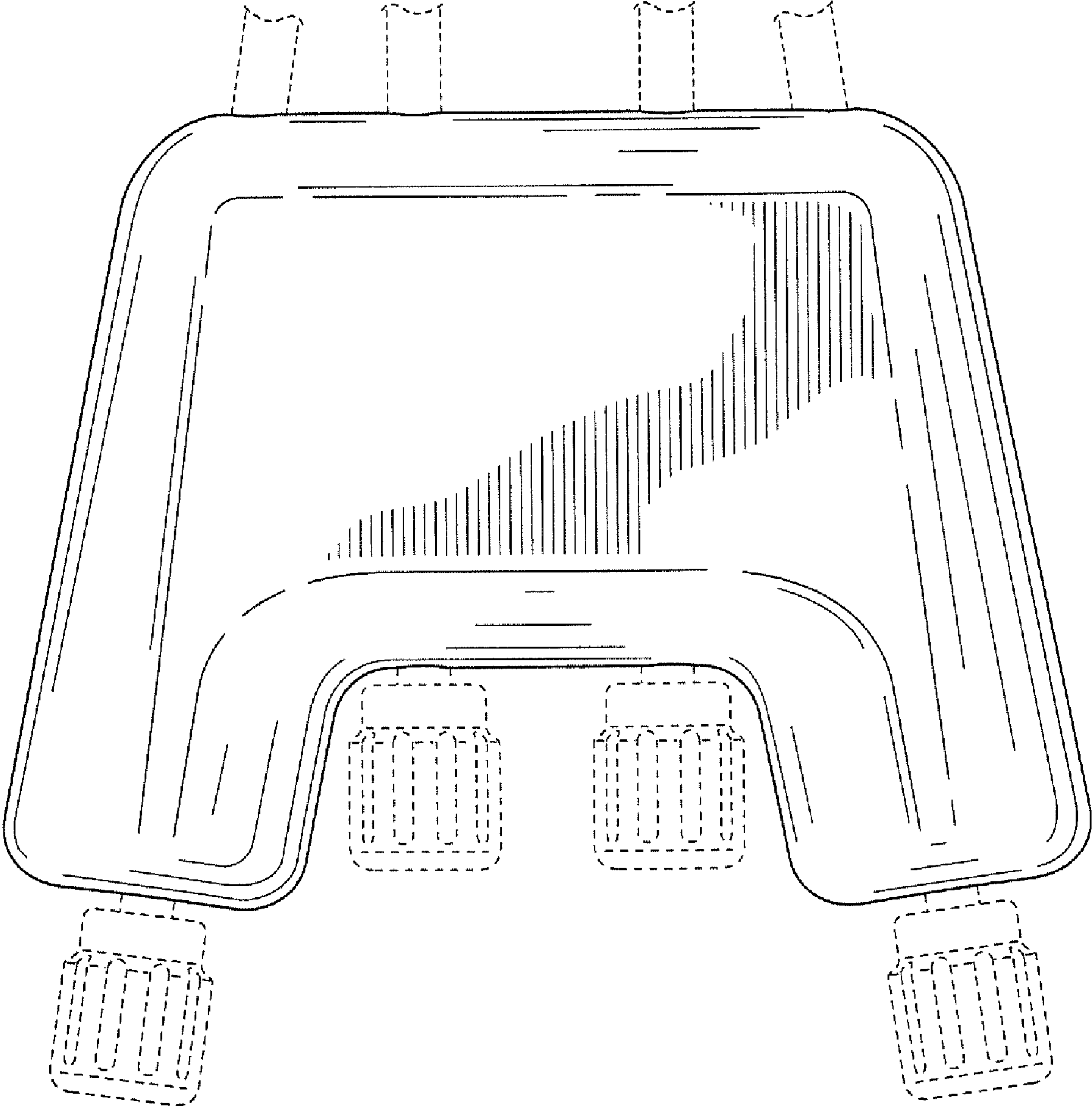


FIG. 3

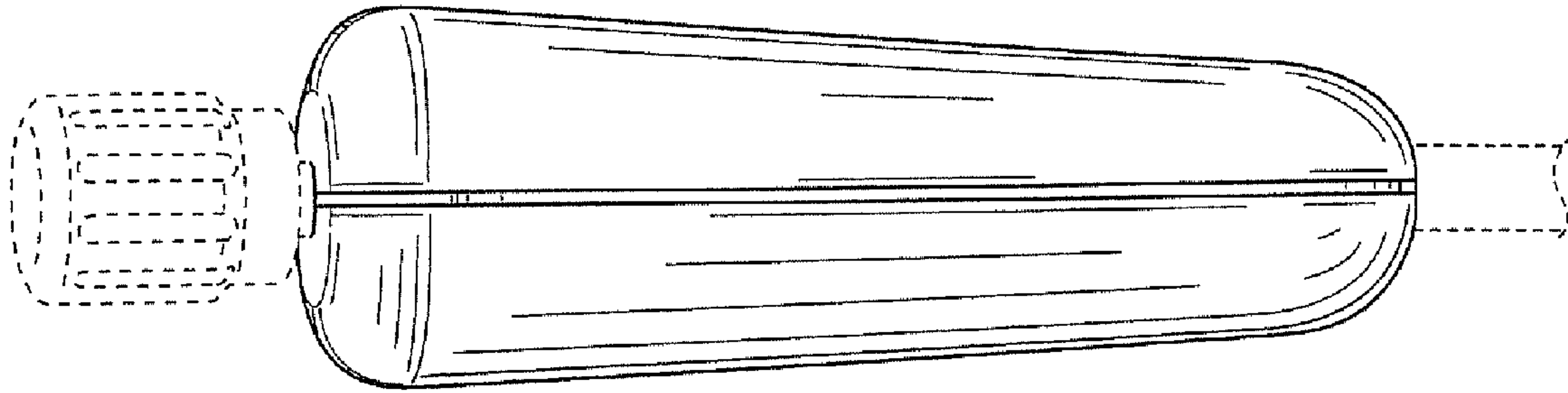


FIG. 4

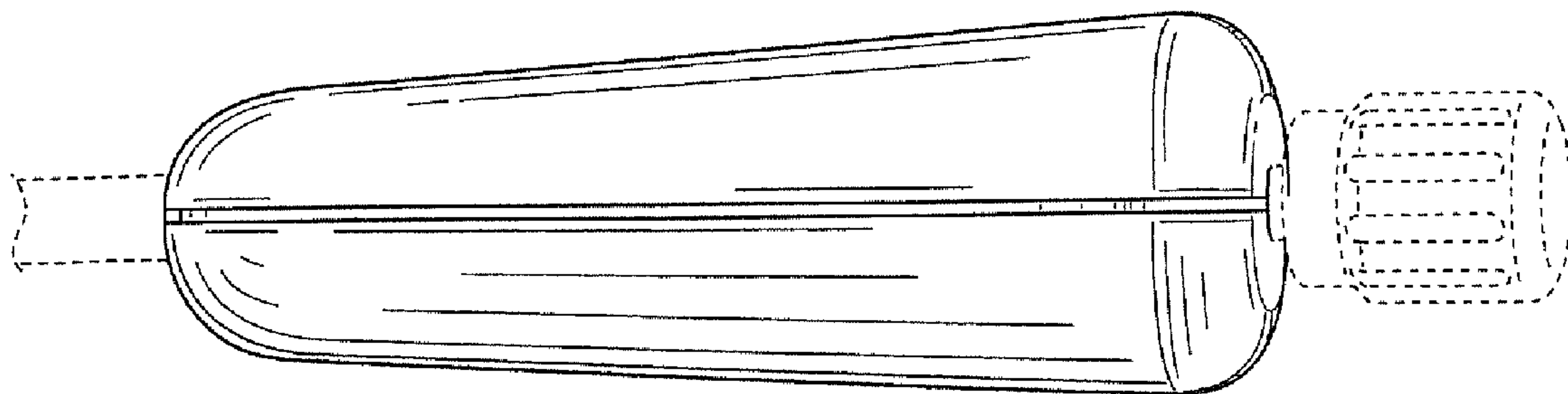


FIG. 5

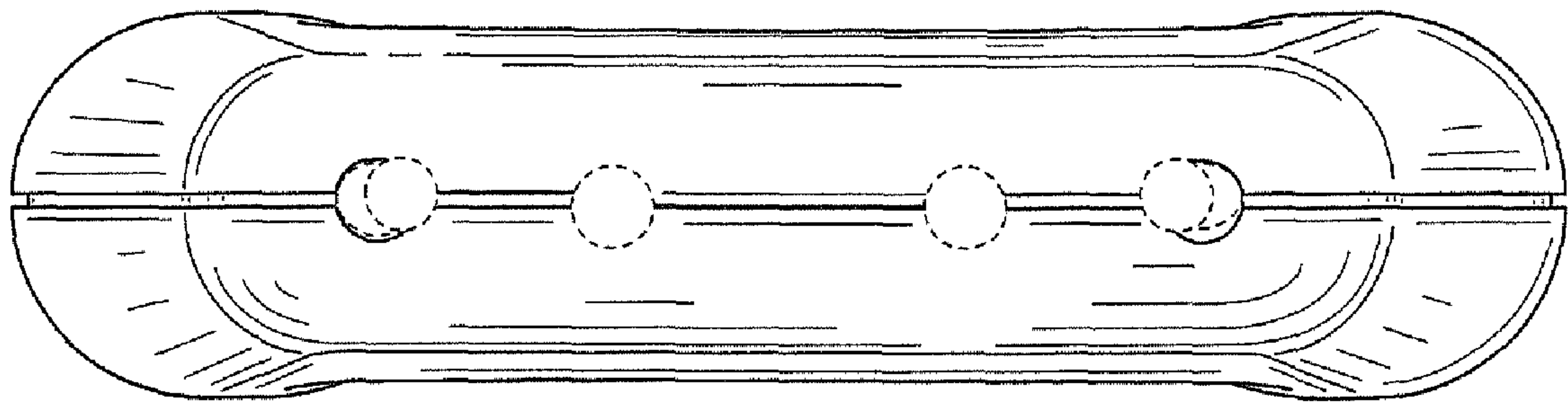


FIG. 6

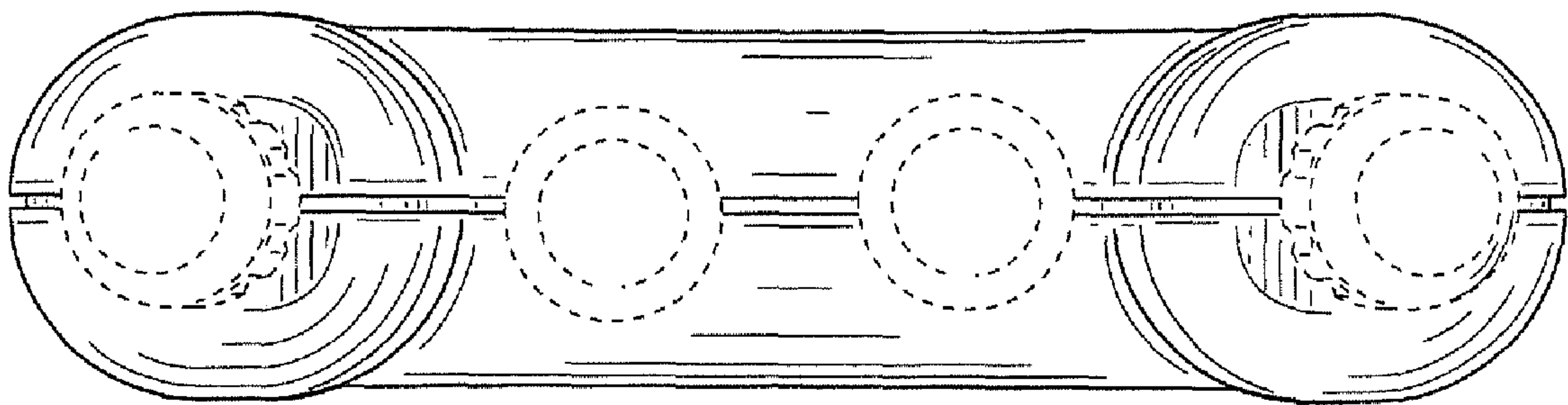


FIG. 7

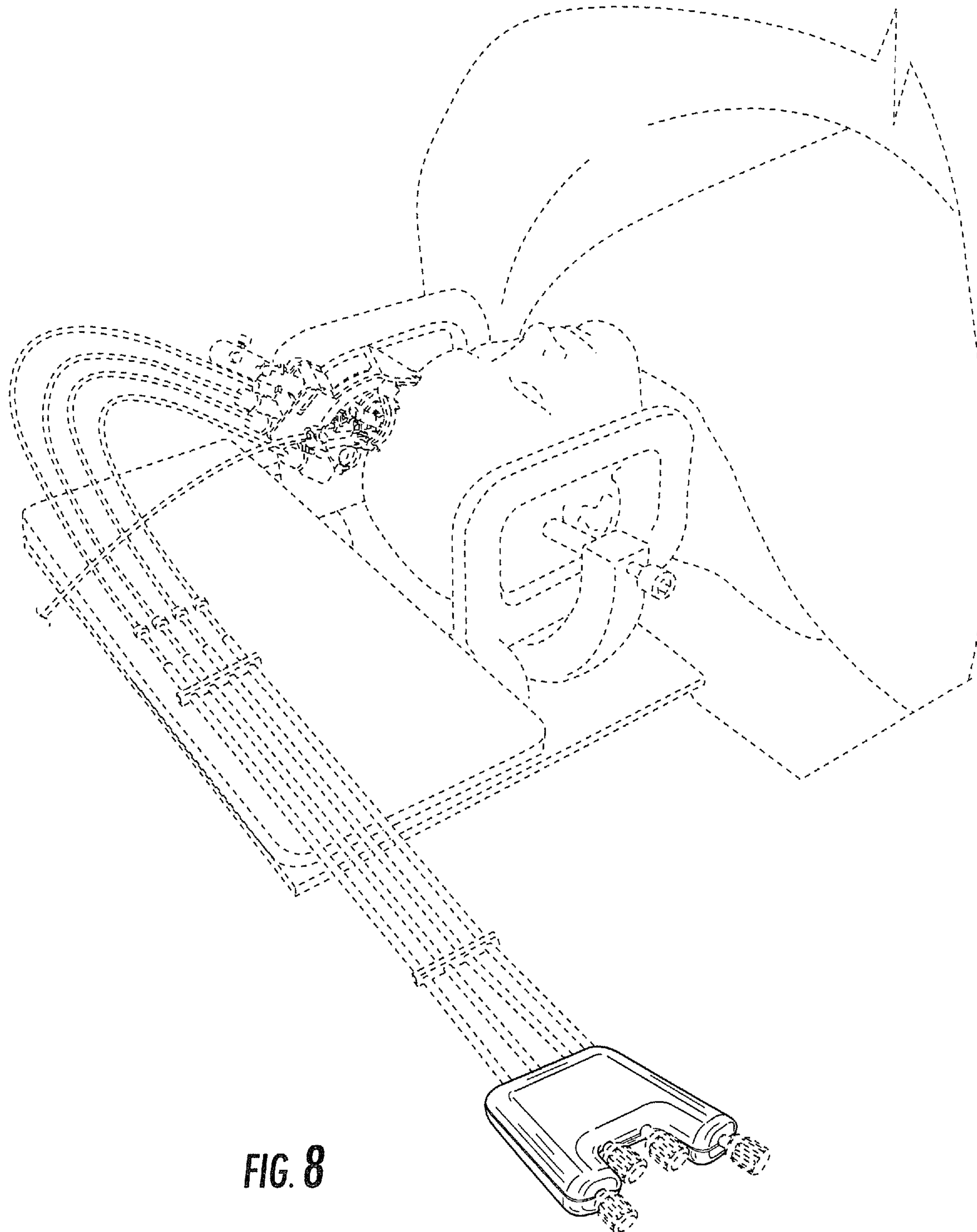


FIG. 8