



US00D614766S

(12) **United States Design Patent**
Hernandez

(10) **Patent No.:** **US D614,766 S**
(45) **Date of Patent:** **** Apr. 27, 2010**

(54) **SANITARY ARTICLE WITH EMBOSSING**

(75) **Inventor:** **Francisco J. V. Hernandez**, São Paulo (BR)

(73) **Assignee:** **Johnson & Johnson Industrial LTDA** (BR)

(**) **Term:** **14 Years**

(21) **Appl. No.:** **29/319,395**

(22) **Filed:** **Jun. 9, 2008**

(51) **LOC (9) Cl.** **24-04**

(52) **U.S. Cl.** **D24/125**

(58) **Field of Classification Search** D24/124-125;
604/358, 364-367, 375, 378-379, 385.01,
604/386, 387

See application file for complete search history.

(56) **References Cited**

U.S. PATENT DOCUMENTS

| | | | |
|--------------|---------|-------------------------|---------|
| D461,242 S * | 8/2002 | Brisebois et al. | D24/125 |
| D478,168 S * | 8/2003 | De Carvalho et al. | D24/125 |
| D481,796 S * | 11/2003 | De Carvalho et al. | D24/125 |
| D482,445 S * | 11/2003 | De Carvalho et al. | D24/125 |
| D482,784 S * | 11/2003 | Babusik | D24/125 |

| | | | |
|--------------|---------|-------------------------|---------|
| D483,863 S * | 12/2003 | De Carvalho et al. | D24/125 |
| D483,865 S * | 12/2003 | De Carvalho et al. | D24/125 |
| D484,590 S * | 12/2003 | De Carvalho et al. | D24/125 |
| D484,974 S * | 1/2004 | De Carvalho et al. | D24/125 |
| D508,993 S * | 8/2005 | Drzewiecki et al. | D24/125 |
| D542,411 S * | 5/2007 | Gubernick et al. | D24/125 |

* cited by examiner

Primary Examiner—Holly H Baynham
Assistant Examiner—Michelle E Wilson

(57) **CLAIM**

The ornamental design for a sanitary article with embossing, as shown and described.

DESCRIPTION

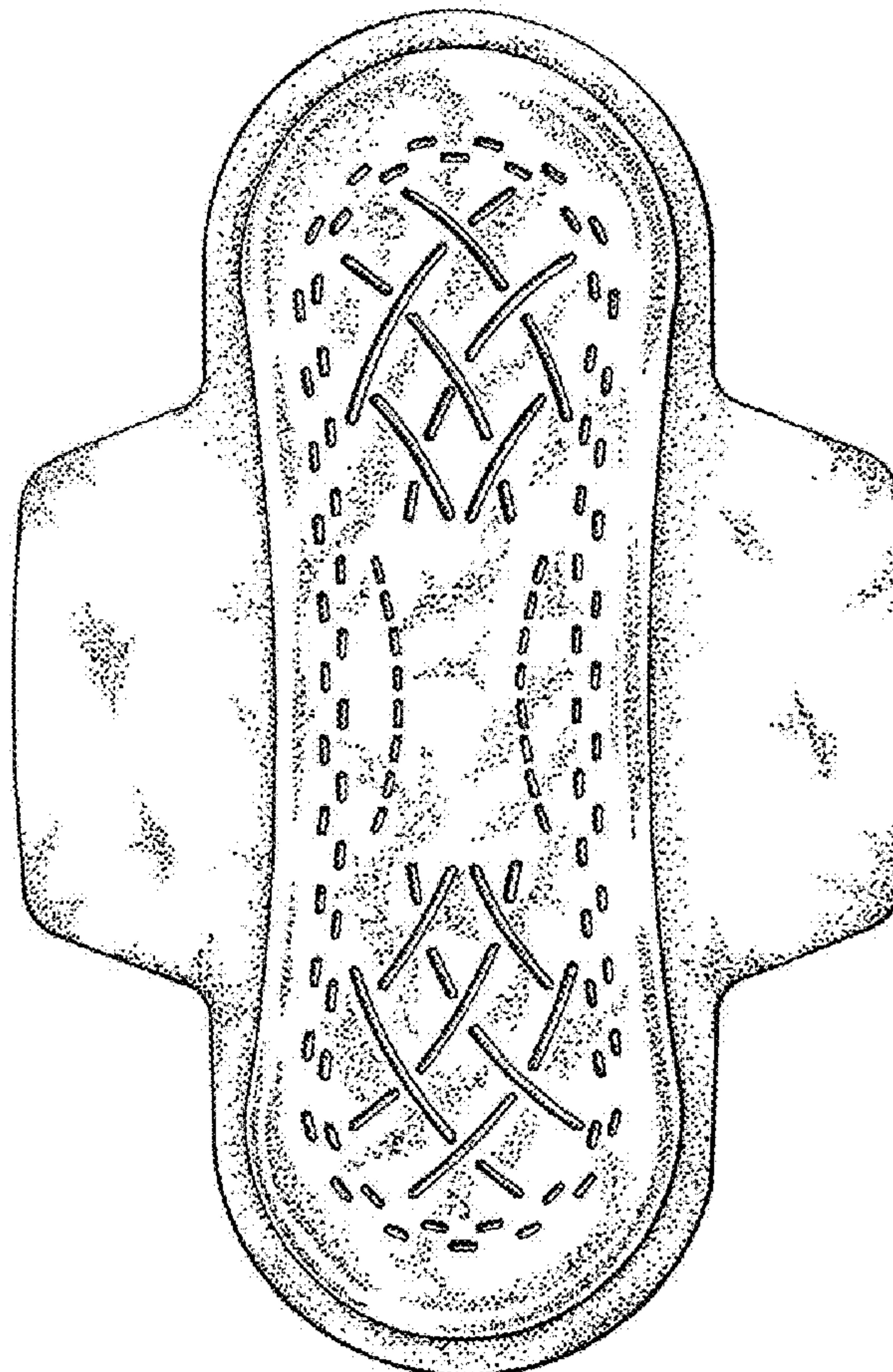
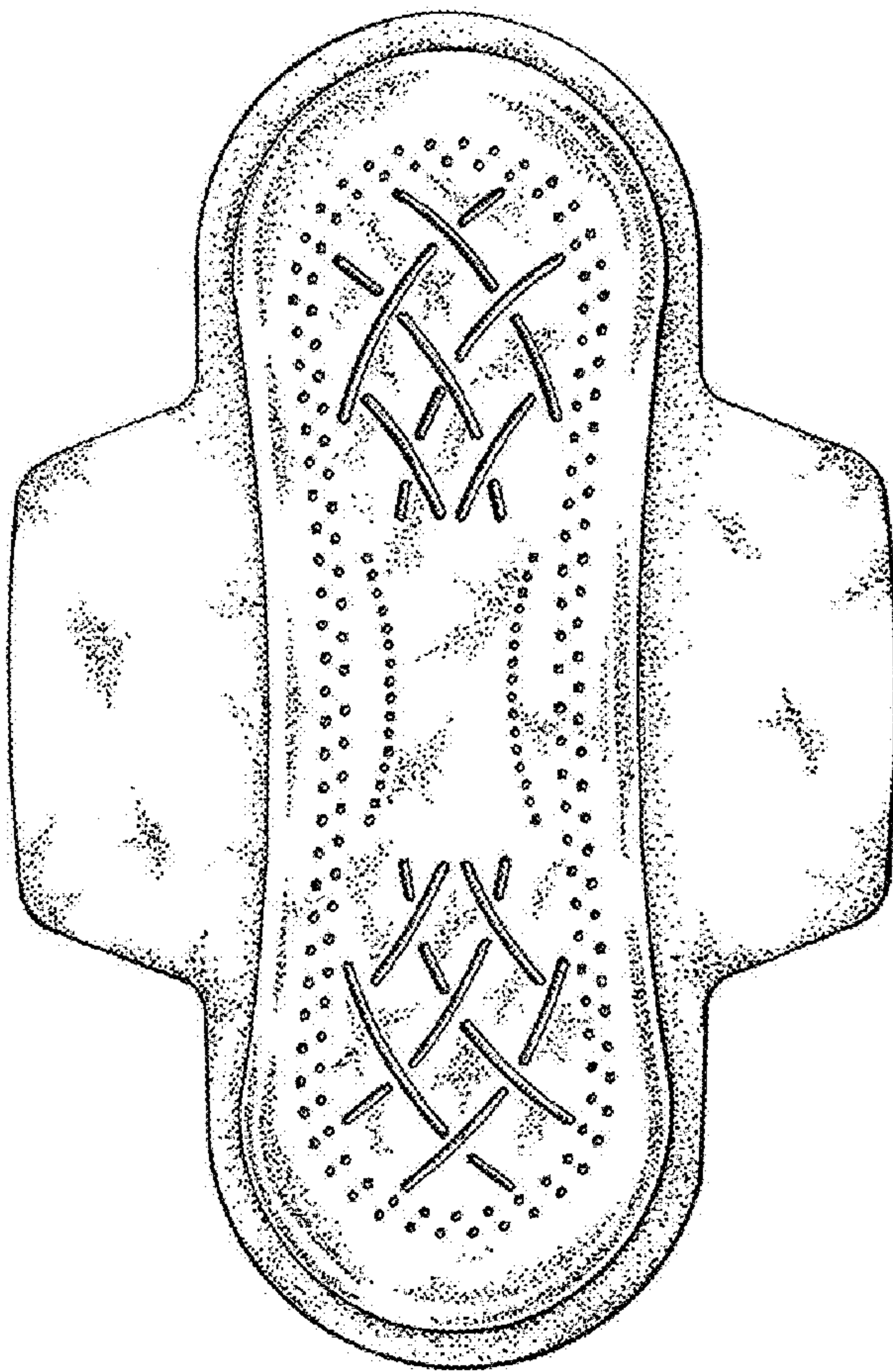
FIG. 1 is a top plan view of a sanitary article with embossing according to a first embodiment of the present invention;

FIG. 2 is a bottom plan view of the sanitary article with embossing shown in FIG. 1;

FIG. 3 is a sanitary article with embossing according to a second embodiment of the present invention; and,

FIG. 4 is a bottom plan view of the sanitary article with embossing shown in FIG. 3.

1 Claim, 4 Drawing Sheets



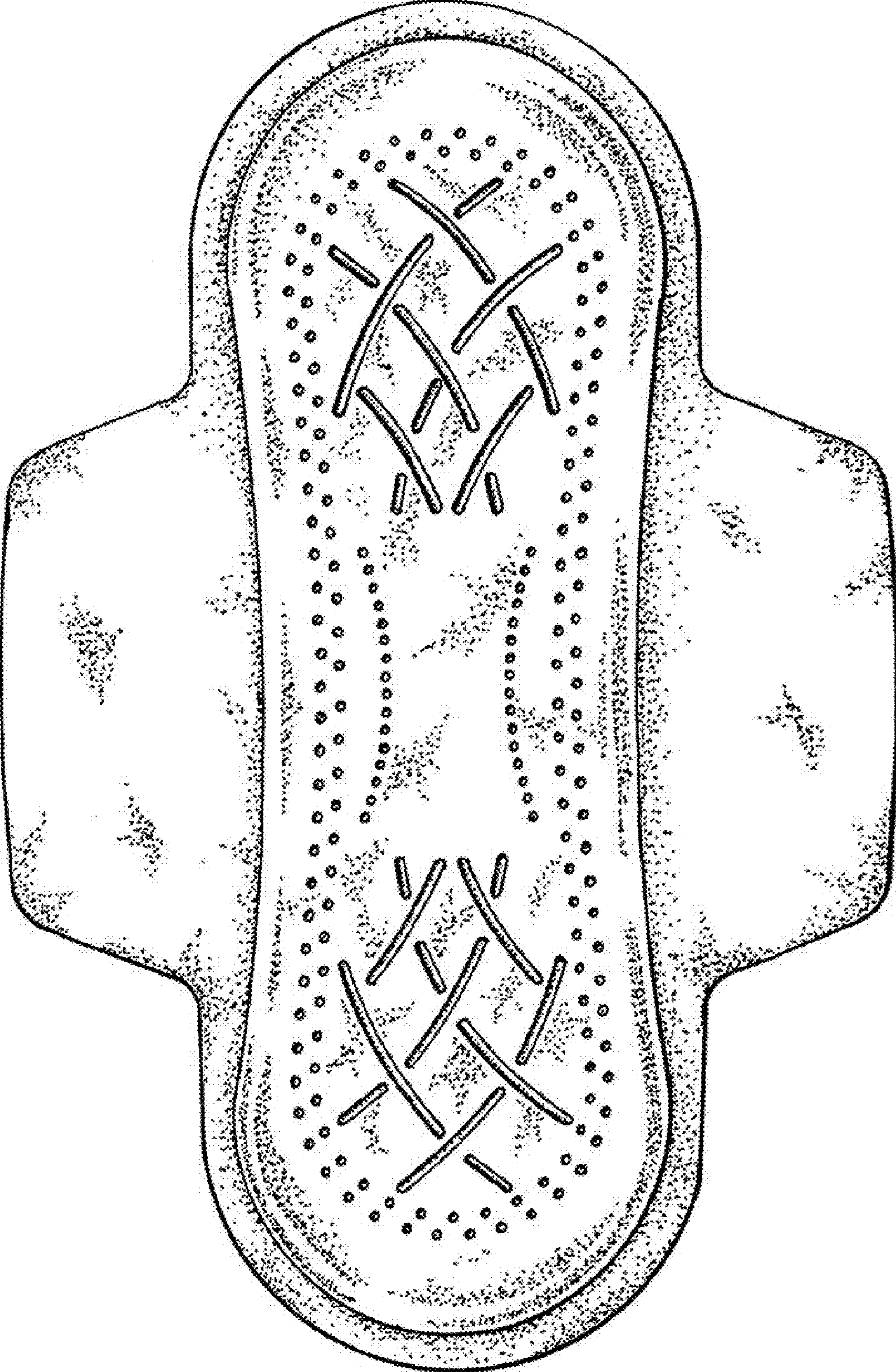


Fig. 1

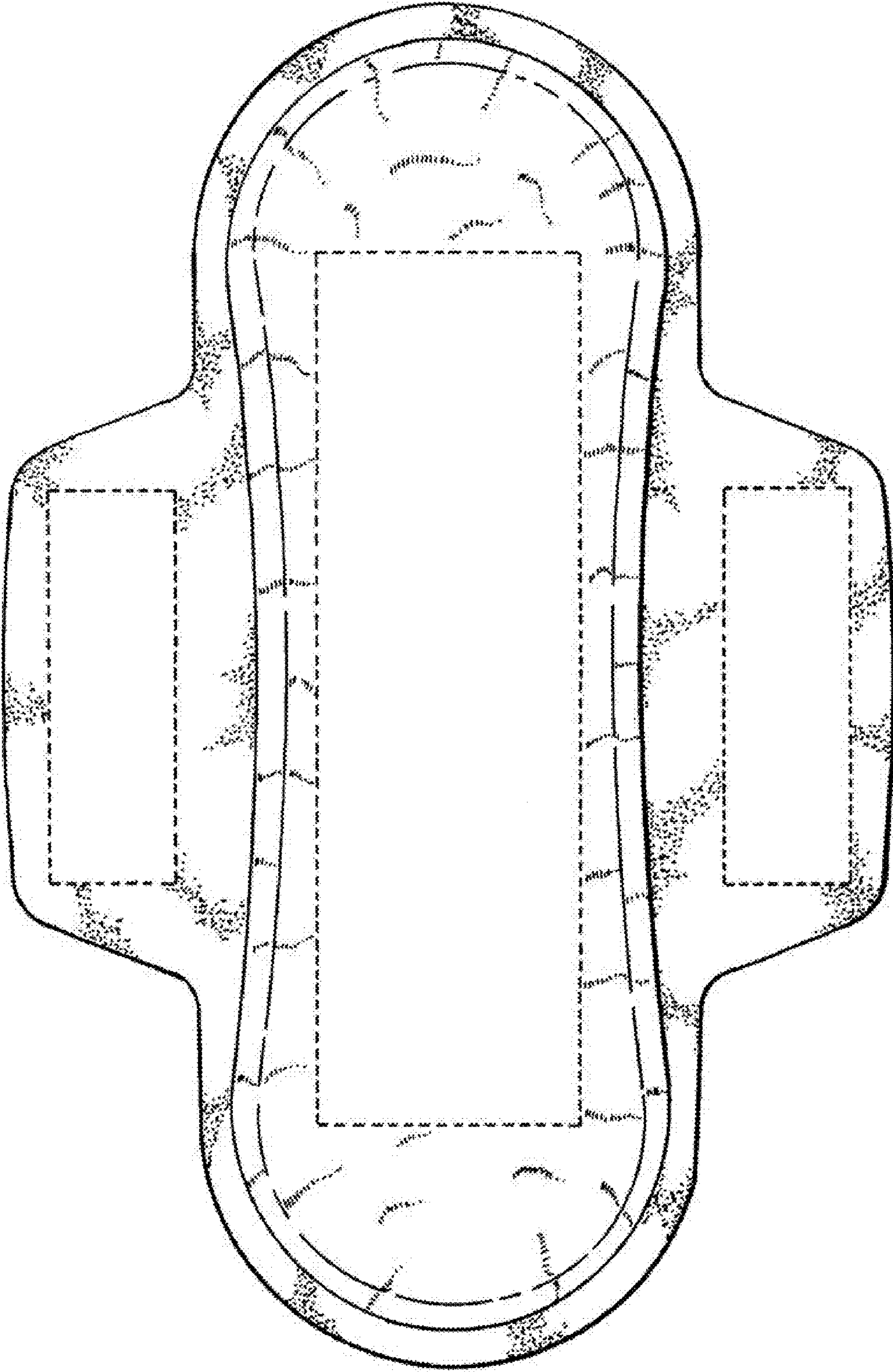


Fig. 2

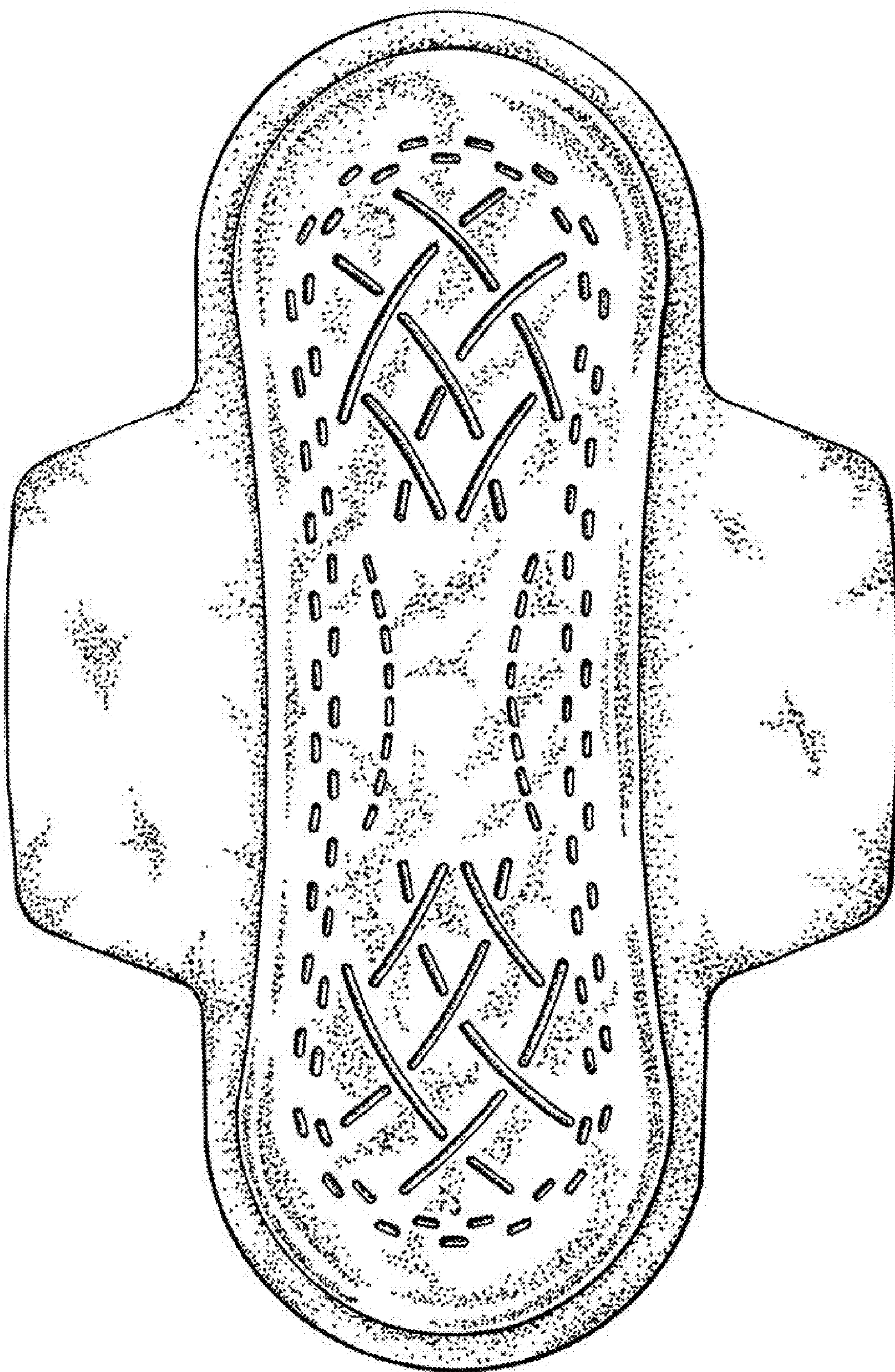


Fig. 3

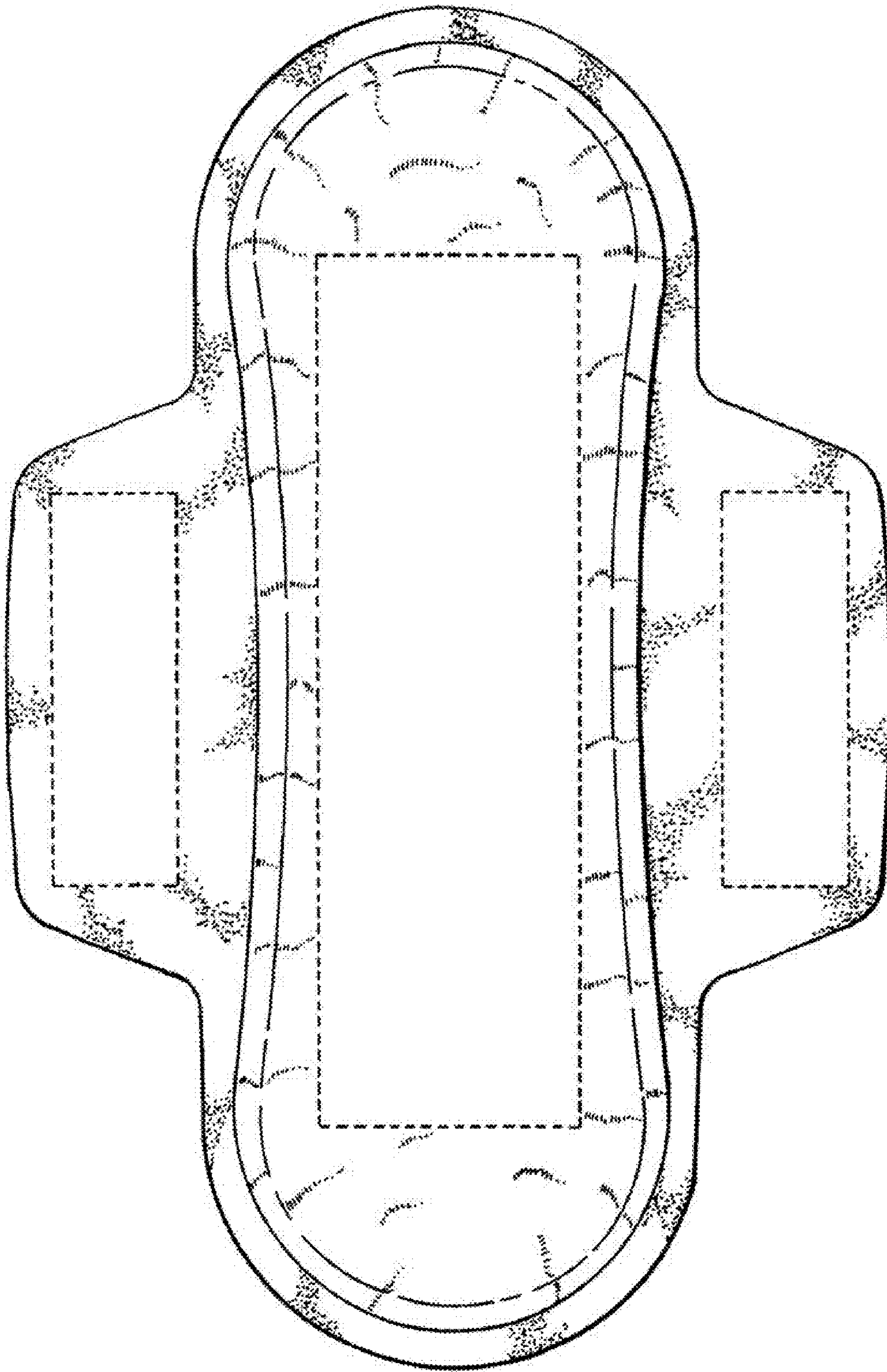


Fig. 4