



US00D614765S

(12) **United States Design Patent**
Webster

(10) **Patent No.:** **US D614,765 S**

(45) **Date of Patent:** **** Apr. 27, 2010**

(54) **ABSORPTIVE INCONTINENCE PAD FOR WOMEN**

(76) Inventor: **Charlinda Webster**, 1023 Canyon Dr., Prescott, AZ (US) 86303

(**) Term: **14 Years**

(21) Appl. No.: **29/331,275**

(22) Filed: **Jan. 22, 2009**

(51) **LOC (9) Cl.** **24-04**

(52) **U.S. Cl.** **D24/124**

(58) **Field of Classification Search** D24/124–126;
604/326, 327, 348–354, 355, 325, 328–347,
604/356–402

See application file for complete search history.

(56) **References Cited**

U.S. PATENT DOCUMENTS

D271,800	S	*	12/1983	Brendling	D24/124
D284,891	S	*	7/1986	Larko et al.	D24/126
4,728,381	A	*	3/1988	Jezuit et al.	156/245
4,731,063	A	*	3/1988	Newkirk	604/347
D298,566	S	*	11/1988	Runeman	D24/124
D301,376	S	*	5/1989	Ternstrom et al.	D24/126
D309,022	S	*	7/1990	Vigmo	D24/124
D342,996	S	*	1/1994	Pearlstein et al.	D24/126
D347,893	S	*	6/1994	Gegelys et al.	D24/124
D348,102	S	*	6/1994	Gegelys et al.	D24/125
D360,944	S	*	8/1995	Juma	D24/124
5,651,778	A	*	7/1997	Melius et al.	604/385.19
D387,159	S	*	12/1997	Eiterjord et al.	D24/125
D412,031	S	*	7/1999	Oscarsson	D24/125
D432,233	S	*	10/2000	Stasi et al.	D24/124
D434,144	S	*	11/2000	Anderson	D24/124
D455,488	S	*	4/2002	James	D24/105
D459,470	S	*	6/2002	James	D24/105
D473,303	S	*	4/2003	Harriz et al.	D24/125
D473,304	S	*	4/2003	Harriz et al.	D24/125
D482,446	S	*	11/2003	Rainville-Lonn et al.	...	D24/125
D491,658	S	*	6/2004	Malcic	D24/124

D589,610 S * 3/2009 Dubose, Jr. D24/124

* cited by examiner

Primary Examiner—T. Chase Nelson
Assistant Examiner—Michelle E Wilson

(74) *Attorney, Agent, or Firm*—Veronica-Adele R. Cao; Weiss & Moy, P.C.

(57) **CLAIM**

The ornamental design for an absorptive incontinence pad for women, as shown and described.

DESCRIPTION

FIG. 1 is an elevated perspective view of an absorptive incontinence pad for women in accordance with the present invention.

FIG. 2 is a top view of the absorptive surface of the absorptive incontinence pad for women of FIG. 1.

FIG. 3 is a side view of the absorptive incontinence pad for women of FIG. 1.

FIG. 4 is a bottom view of the bottom adhesive surface of the absorptive incontinence pad for women of FIG. 1.

FIG. 5 is a side view of the absorptive incontinence pad for women of FIG. 1.

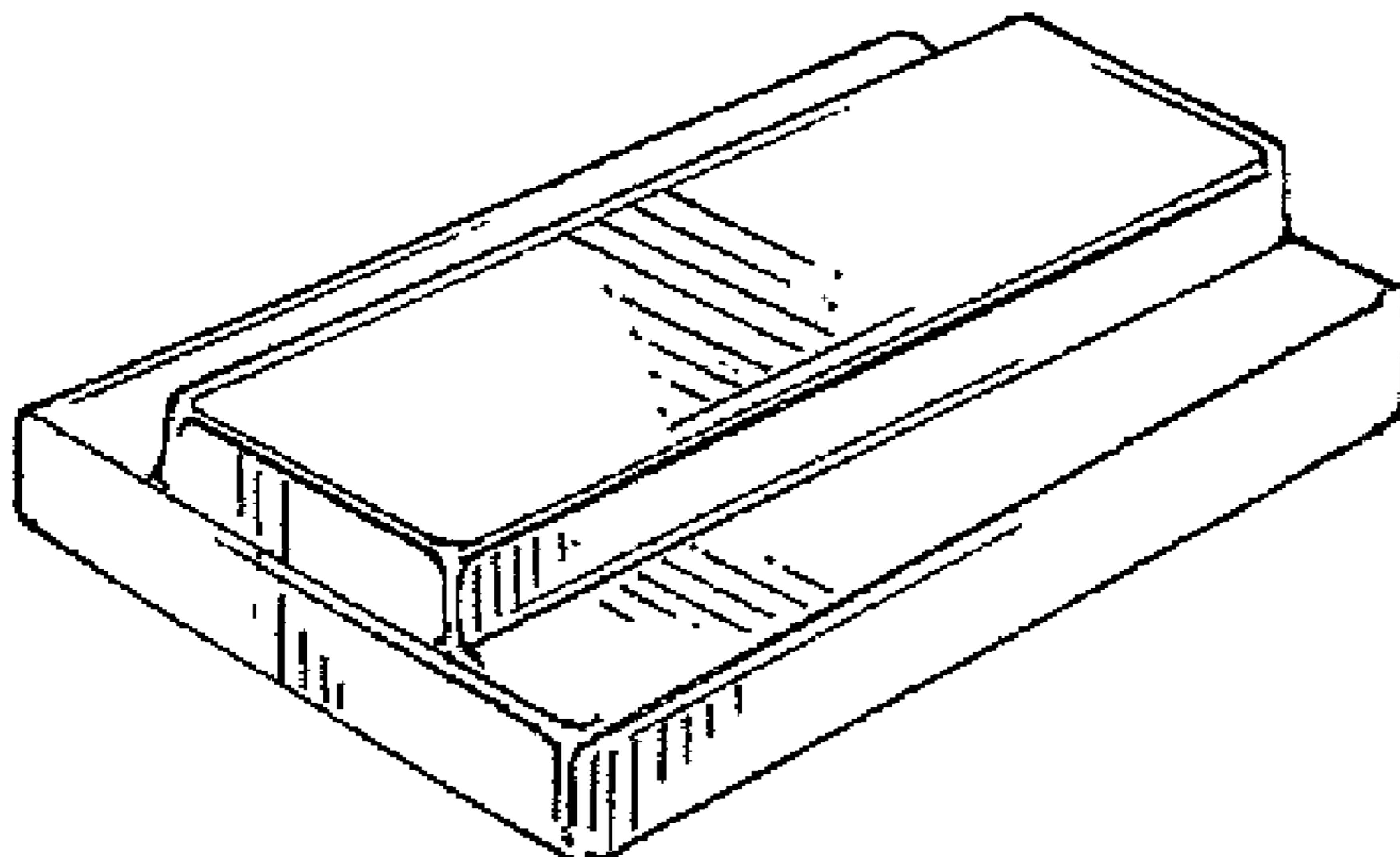
FIG. 6 is a front view of the absorptive incontinence pad for women of FIG. 1.

FIG. 7 is a perspective view of the absorptive incontinence pad for women of FIG. 1, shown in use with a pair of women's briefs; and,

FIG. 8 is a perspective view of the absorptive incontinence pad for women of FIG. 1, shown in use with a pair of women's thong underwear.

The broken line showing is included for the purpose of illustrating environmental structure and forms no part of the claimed design.

1 Claim, 2 Drawing Sheets



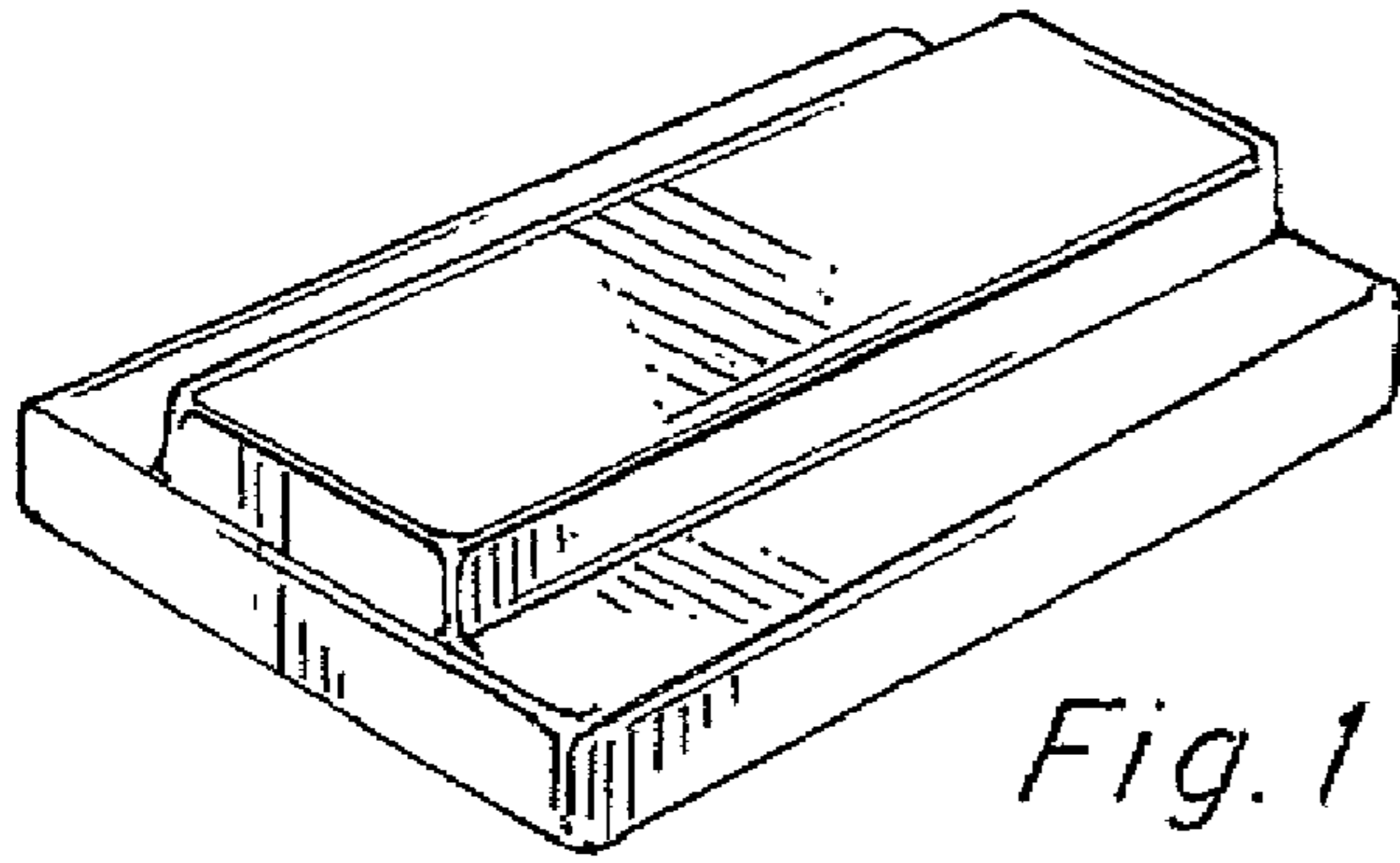


Fig. 1

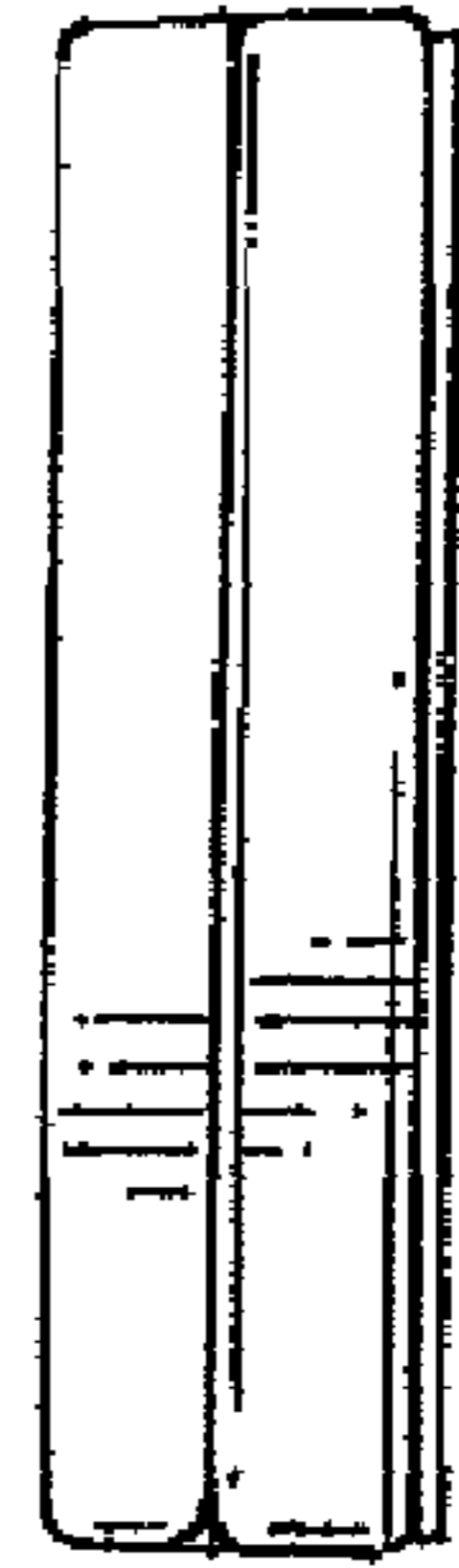


Fig. 5

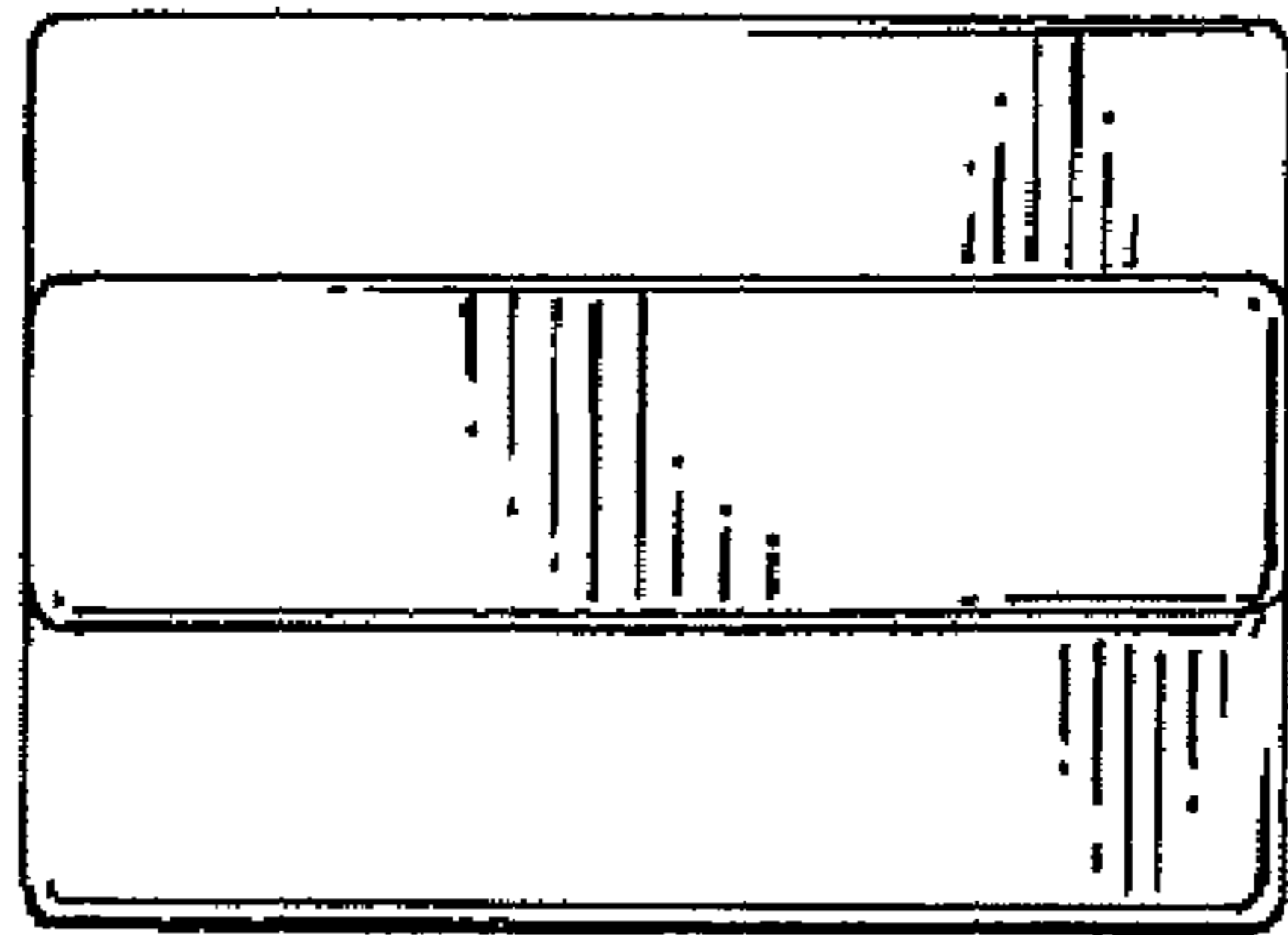


Fig. 2

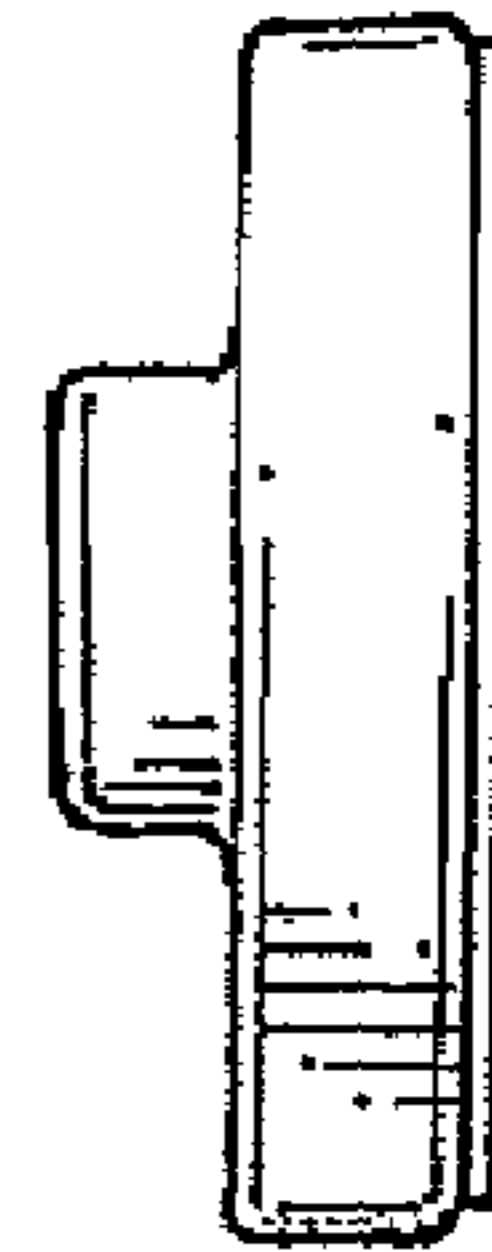


Fig. 6



Fig. 3

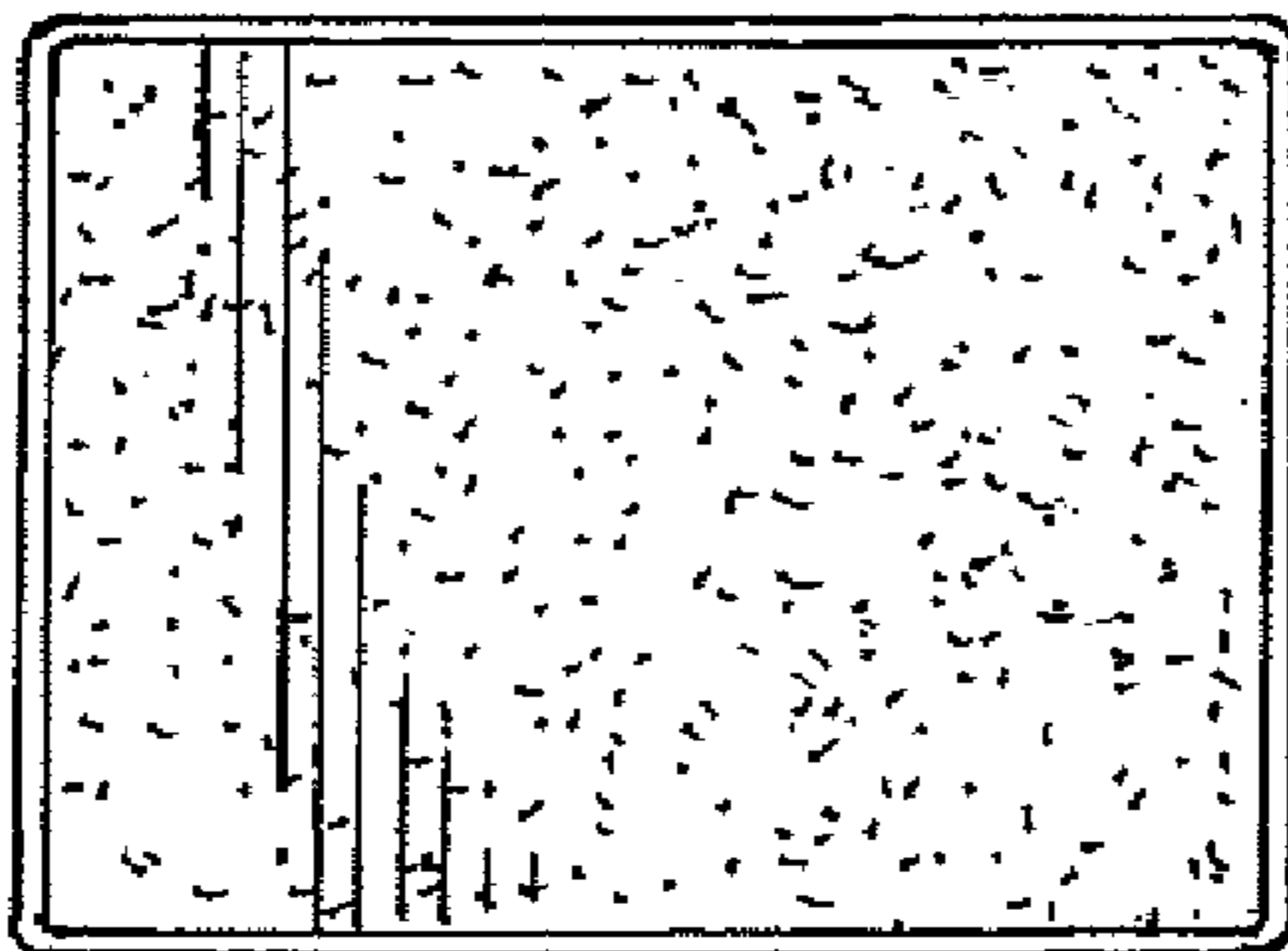


Fig. 4

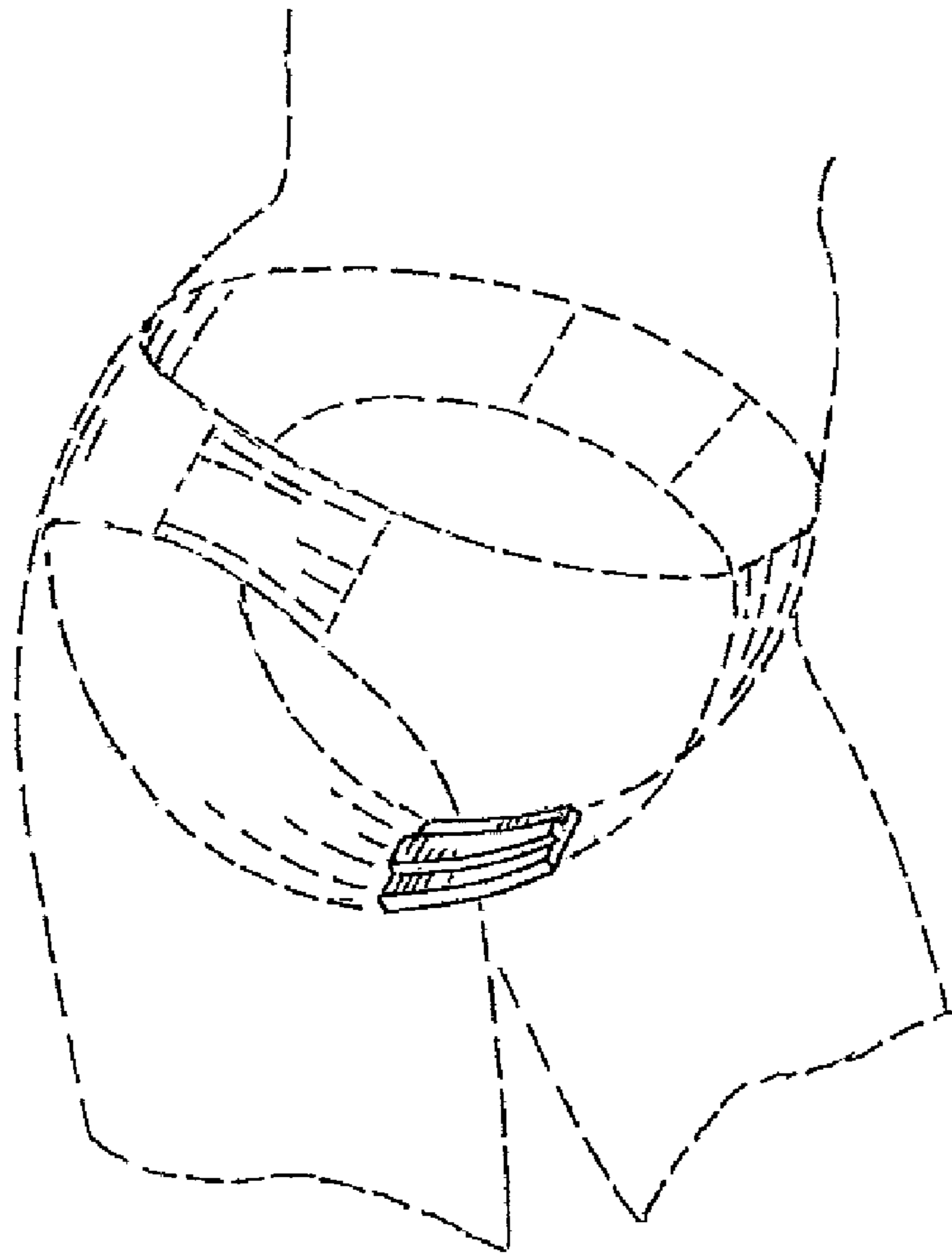


Fig. 7

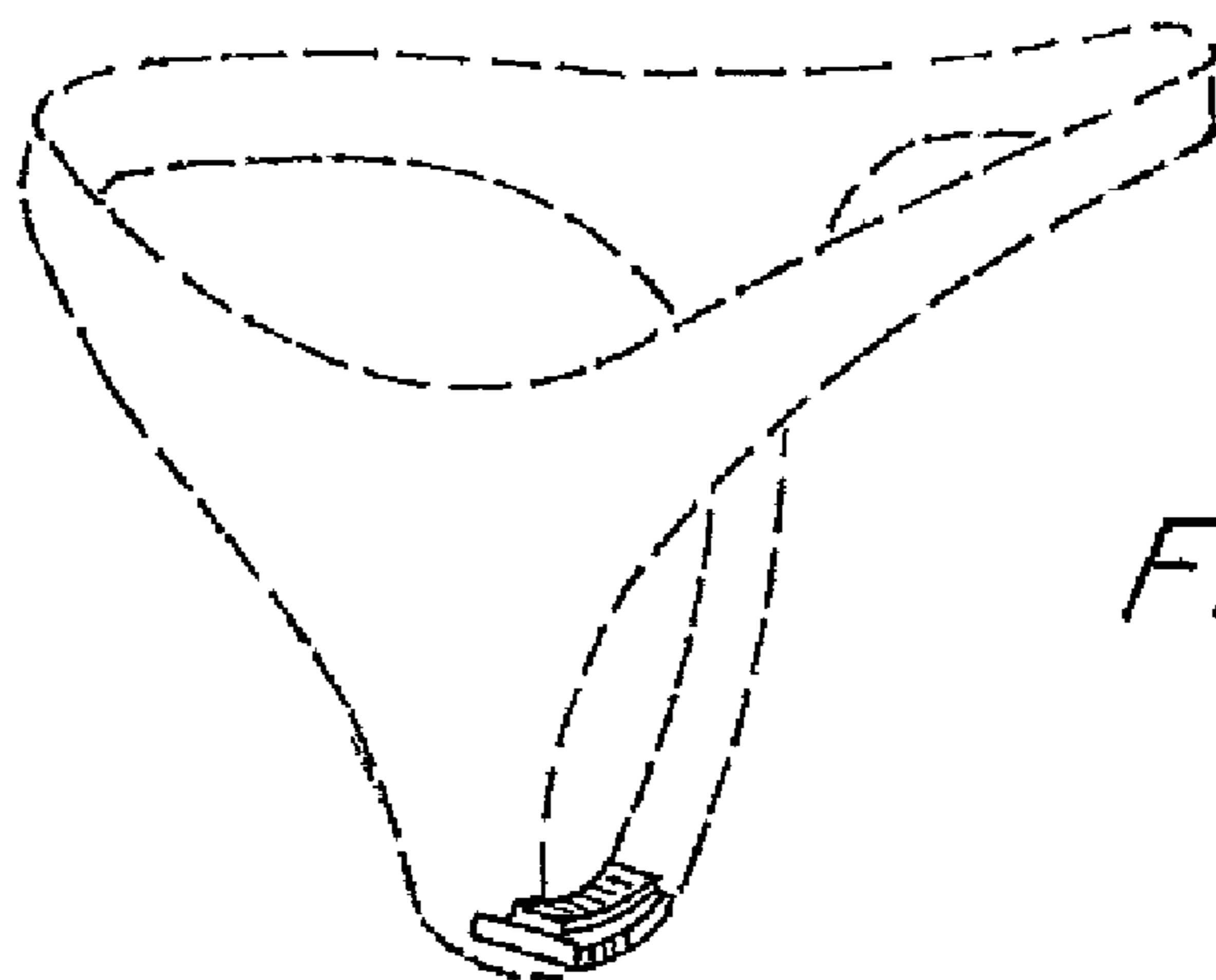


Fig. 8