



US00D614762S

(12) **United States Design Patent**
Lang et al.

(10) **Patent No.:** **US D614,762 S**
(45) **Date of Patent:** **** Apr. 27, 2010**

(54) **BREATHING MASK**

(75) Inventors: **Bernd Lang**, Grafelfing (DE); **Achim Biener**, Munich (DE)

(73) Assignee: **MAP Medizin-Technologie GmbH**, Martinsried (DE)

(**) Term: **14 Years**

(21) Appl. No.: **29/311,143**

(22) Filed: **Dec. 31, 2008**

Related U.S. Application Data

(60) Continuation of application No. 29/290,110, filed on Oct. 23, 2007, now Pat. No. Des. 585,982, which is a continuation of application No. 29/239,063, filed on Sep. 27, 2005, now Pat. No. Des. 572,816, which is a division of application No. 29/219,617, filed on Dec. 21, 2004, now Pat. No. Des. 515,698, which is a division of application No. 29/190,511, filed on Sep. 23, 2003, now Pat. No. Des. 502,260, which is a division of application No. 29/163,978, filed on Jul. 17, 2002, now Pat. No. Des. 484,237.

(30) **Foreign Application Priority Data**

Jan. 17, 2002 (DE) 40200458

(51) **LOC (9) Cl.** **29-02**

(52) **U.S. Cl.** **D24/110.1**

(58) **Field of Classification Search** D24/110.1, D24/110.4, 110.5, 164; 128/207.13, 207.11, 128/205.25, 207.12, 206.21, 206.27, 206.26, 128/207.17

See application file for complete search history.

(56) **References Cited**

U.S. PATENT DOCUMENTS

D322,318 S 12/1991 Sullivan
D402,755 S 12/1998 Kwok
6,044,844 A 4/2000 Kwok et al.
D428,987 S 8/2000 Kwok

6,119,693 A 9/2000 Kwok et al.
D439,326 S 3/2001 Hecker et al.
D443,355 S 6/2001 Gunaratnam et al.
D458,365 S 6/2002 Kopacko et al.
D468,823 S 1/2003 Smart
6,520,182 B1 2/2003 Gunaratnam
6,532,961 B1 3/2003 Kwok
6,561,190 B1 5/2003 Kwok

(Continued)

FOREIGN PATENT DOCUMENTS

AT 50770 10/2002

(Continued)

OTHER PUBLICATIONS

Fu et al., U.S. Appl. No. 29/290,341, filed Nov. 21, 2007.

(Continued)

Primary Examiner—Ian Simmons
Assistant Examiner—Christopher Lee
(74) *Attorney, Agent, or Firm*—Nixon & Vanderhye P.C.

(57) **CLAIM**

The ornamental design for a breathing mask, as shown and described.

DESCRIPTION

FIG. 1 is a perspective view of a breathing mask according to our design;

FIG. 2 is a front view thereof;

FIG. 3 is a rear view thereof;

FIG. 4 is a right side view thereof;

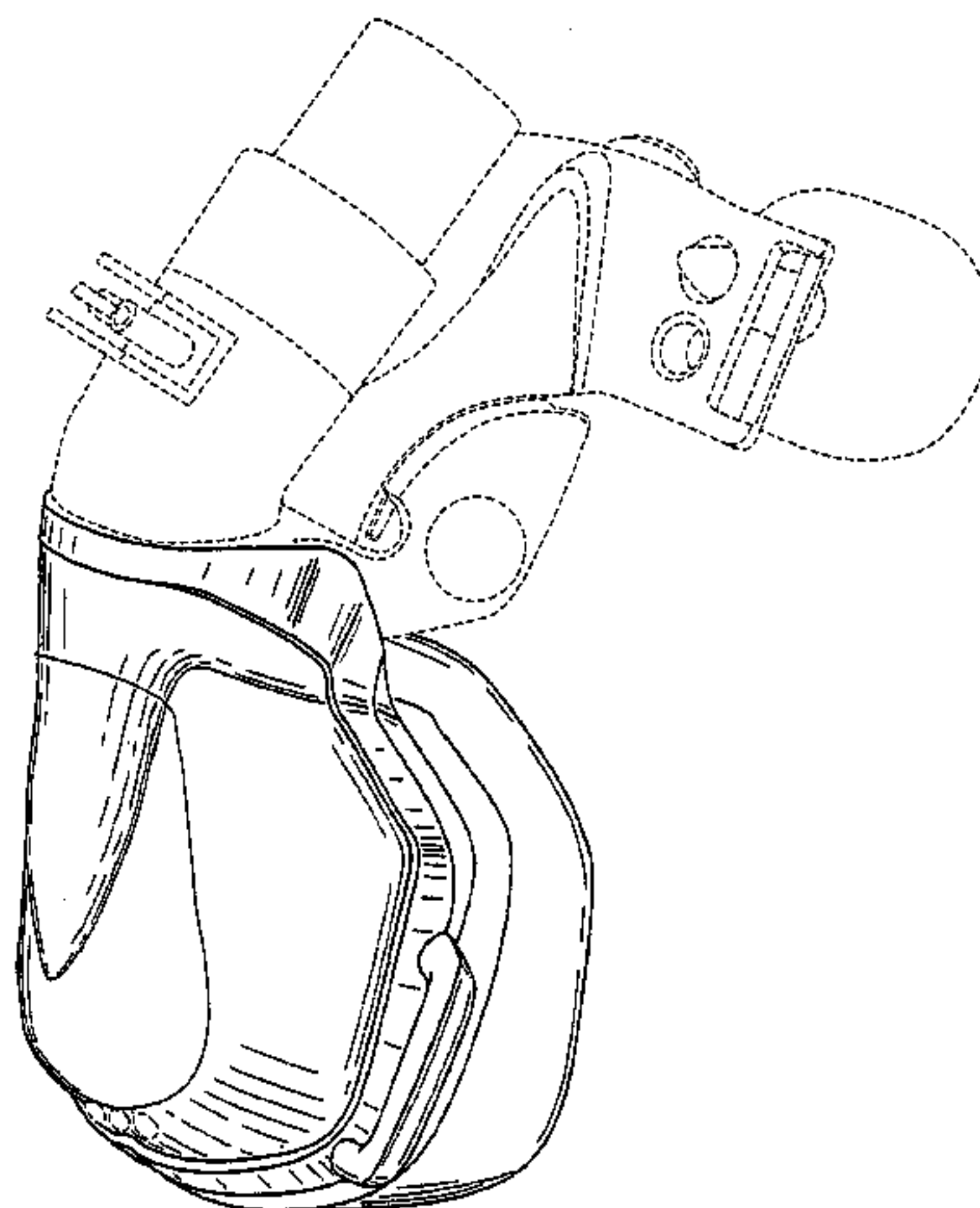
FIG. 5 is a left side view thereof;

FIG. 6 is a top view thereof; and,

FIG. 7 is a bottom view thereof.

Where included, broken lines showing environment or structure are for illustrative purposes only and form no part of the claimed design.

1 Claim, 7 Drawing Sheets



US D614,762 S

Page 2

U.S. PATENT DOCUMENTS

6,581,594 B1 6/2003 Drew et al.
6,581,602 B2 6/2003 Kwok et al.
D484,237 S 12/2003 Lang et al.
6,679,261 B2 1/2004 Lithgow et al.
D486,227 S 2/2004 Fu et al.
D493,522 S 7/2004 Fu et al.
6,823,869 B2 11/2004 Raje et al.
6,832,610 B2 12/2004 Gradon et al.
D502,260 S 2/2005 Lang et al.
6,860,269 B2 3/2005 Kwok et al.
D515,204 S 2/2006 Guney et al.
D515,698 S 2/2006 Lang et al.
7,000,614 B2 2/2006 Lang et al.
D536,091 S * 1/2007 Biener et al. D24/110.1
7,216,647 B2 5/2007 Lang et al.
D545,960 S 7/2007 Fu et al.
D567,935 S 4/2008 Fu et al.
D572,816 S 7/2008 Lang et al.
2003/0062048 A1 4/2003 Gradon et al.
2003/0075182 A1 4/2003 Heidmann et al.
2003/0089373 A1 5/2003 Gradon et al.
2004/0045550 A1 3/2004 Lang et al.

2004/0094157 A1 5/2004 Dantanarayana et al.
2004/0112387 A1 6/2004 Lang et al.
2004/0118406 A1 6/2004 Lithgow et al.
2004/0255949 A1 12/2004 Lang et al.
2005/0011521 A1 1/2005 Sprinkle et al.
2005/0011522 A1 1/2005 Ho et al.
2005/0211252 A1* 9/2005 Lang et al. 128/207.11
2007/0157934 A1* 7/2007 Lang et al. 128/207.11
2009/0044806 A1* 2/2009 Burz et al. 128/205.25
2009/0277453 A1* 11/2009 Burz et al. 128/207.11

FOREIGN PATENT DOCUMENTS

DE 100 45 183 5/2002
WO WO 99/58181 11/1999
WO WO 01/97892 12/2001

OTHER PUBLICATIONS

Instruction Manual for Papillon Mask, © MAP Medizin-Technology GmbH, Mar. 2002, 4 pages.
Lang et al., Parent Application U.S. Appl. No. 29/290,110, filed Oct. 23, 2007.

* cited by examiner

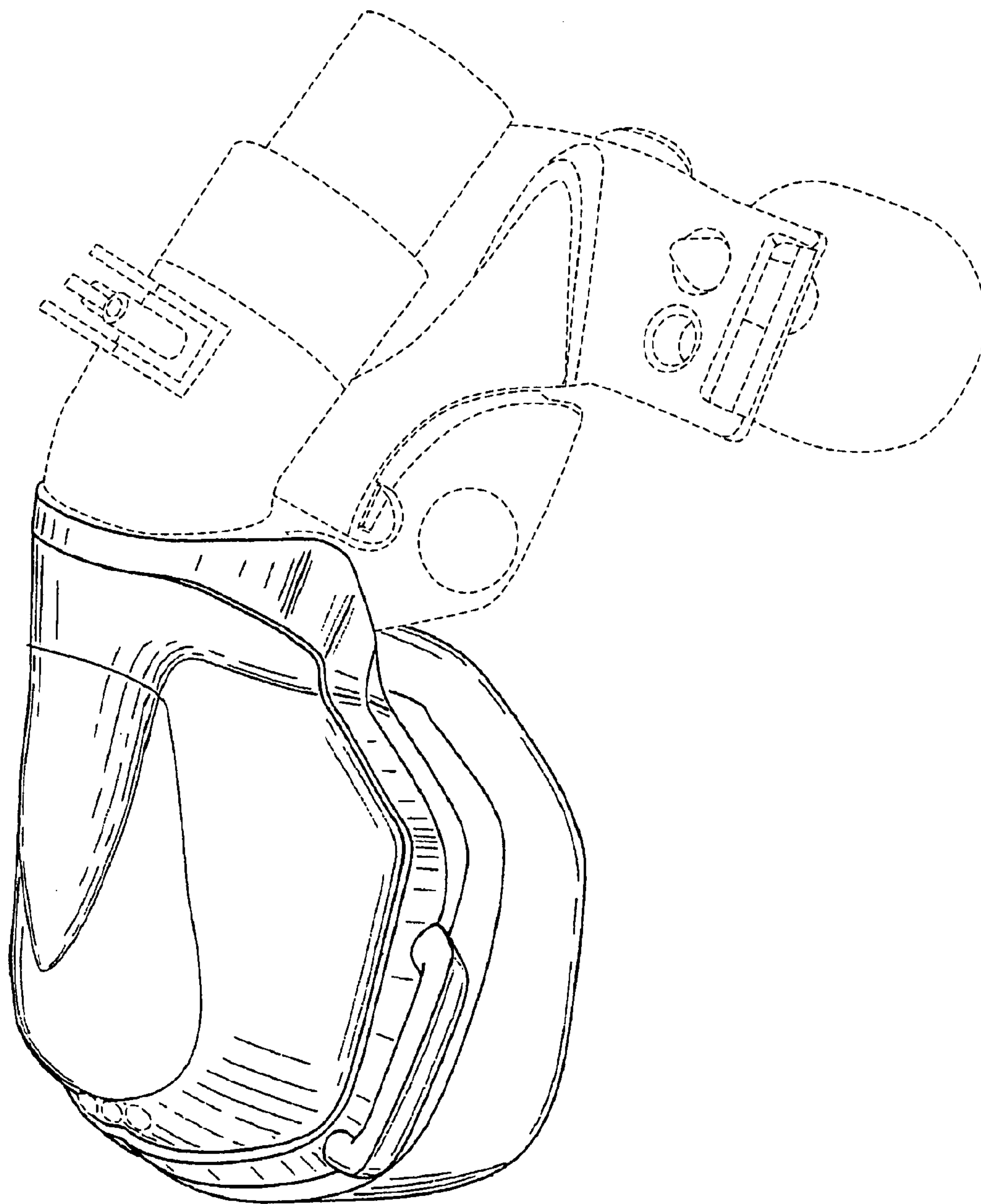


FIG. 1

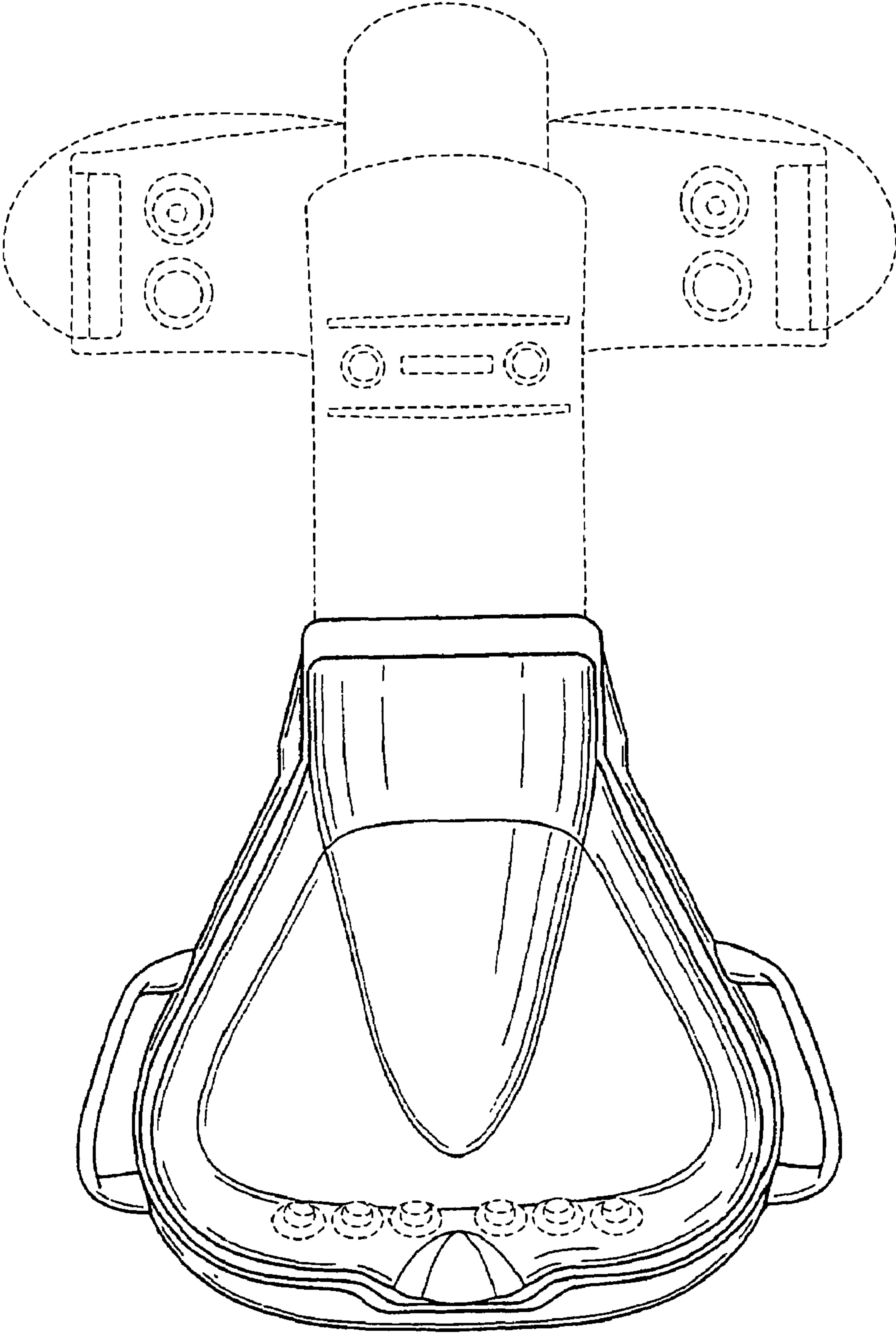


FIG. 2

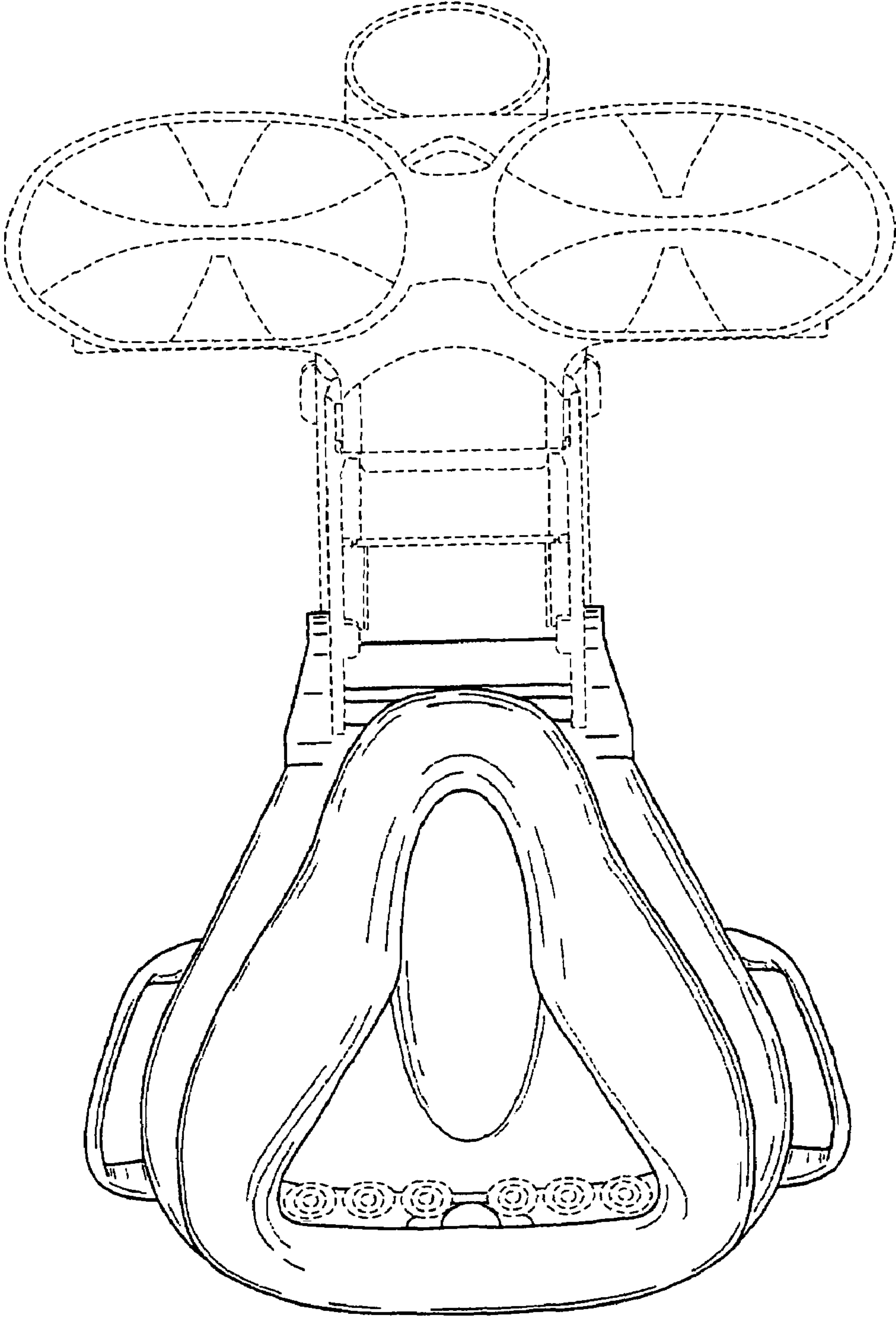


FIG. 3

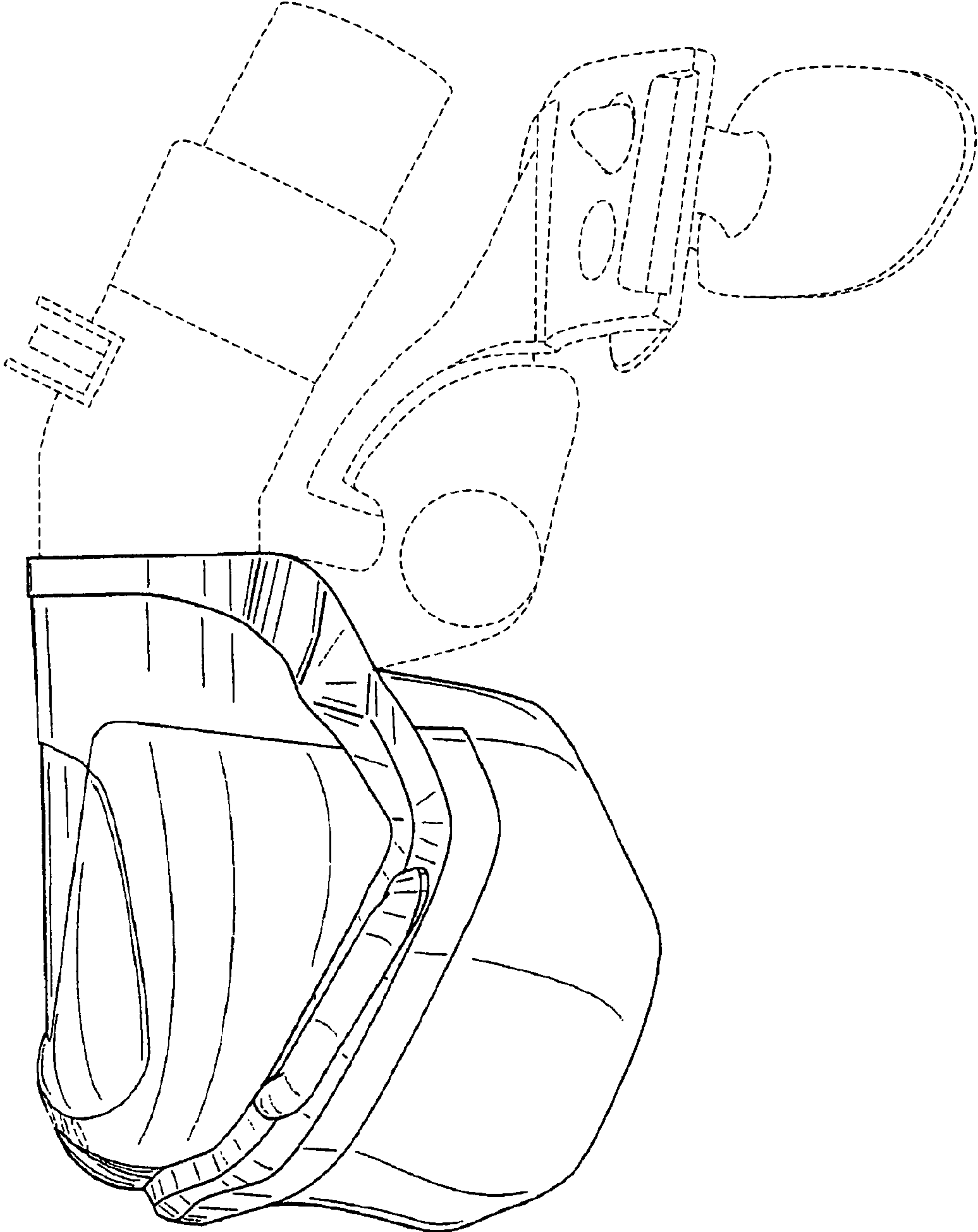


FIG. 4

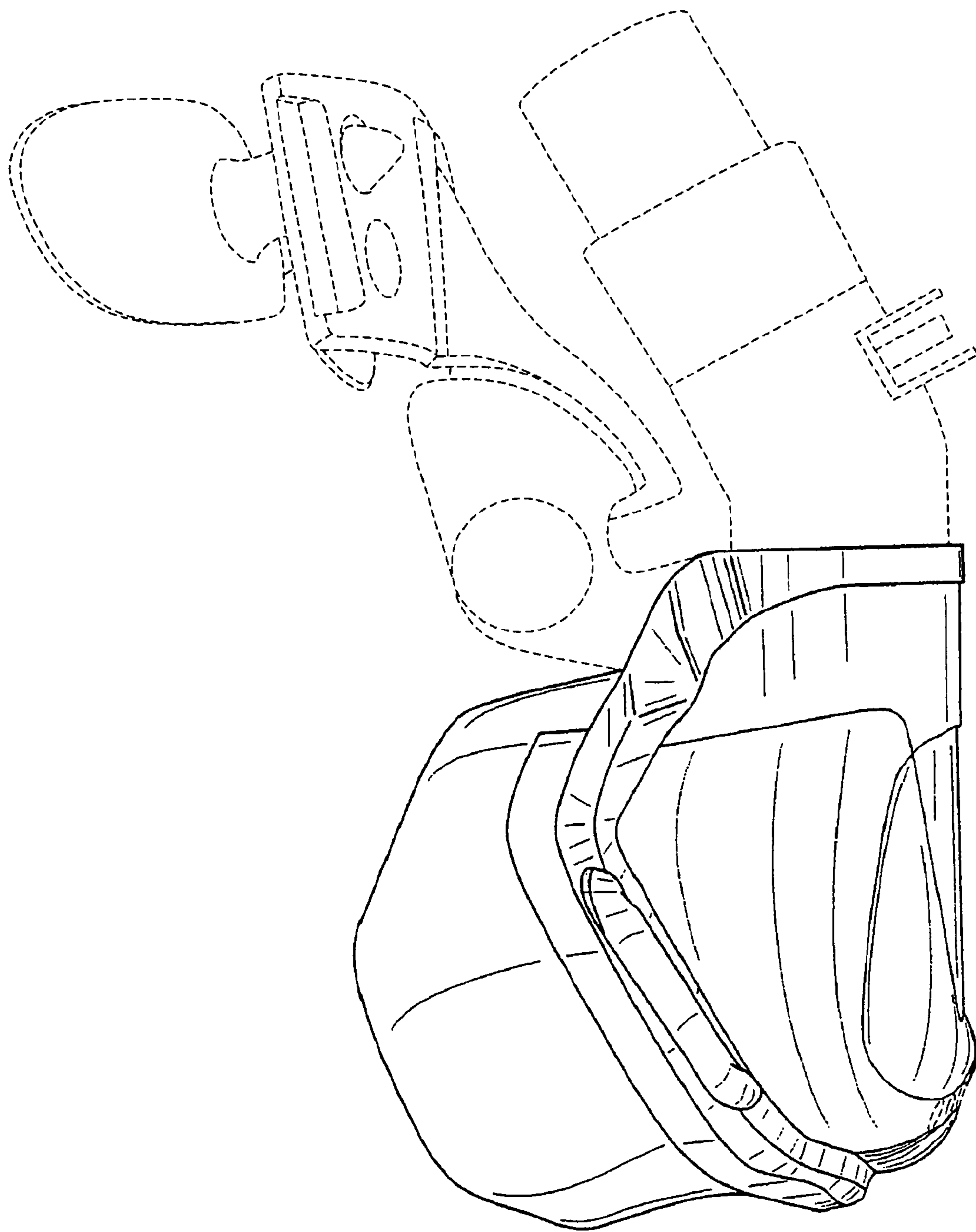


FIG. 5

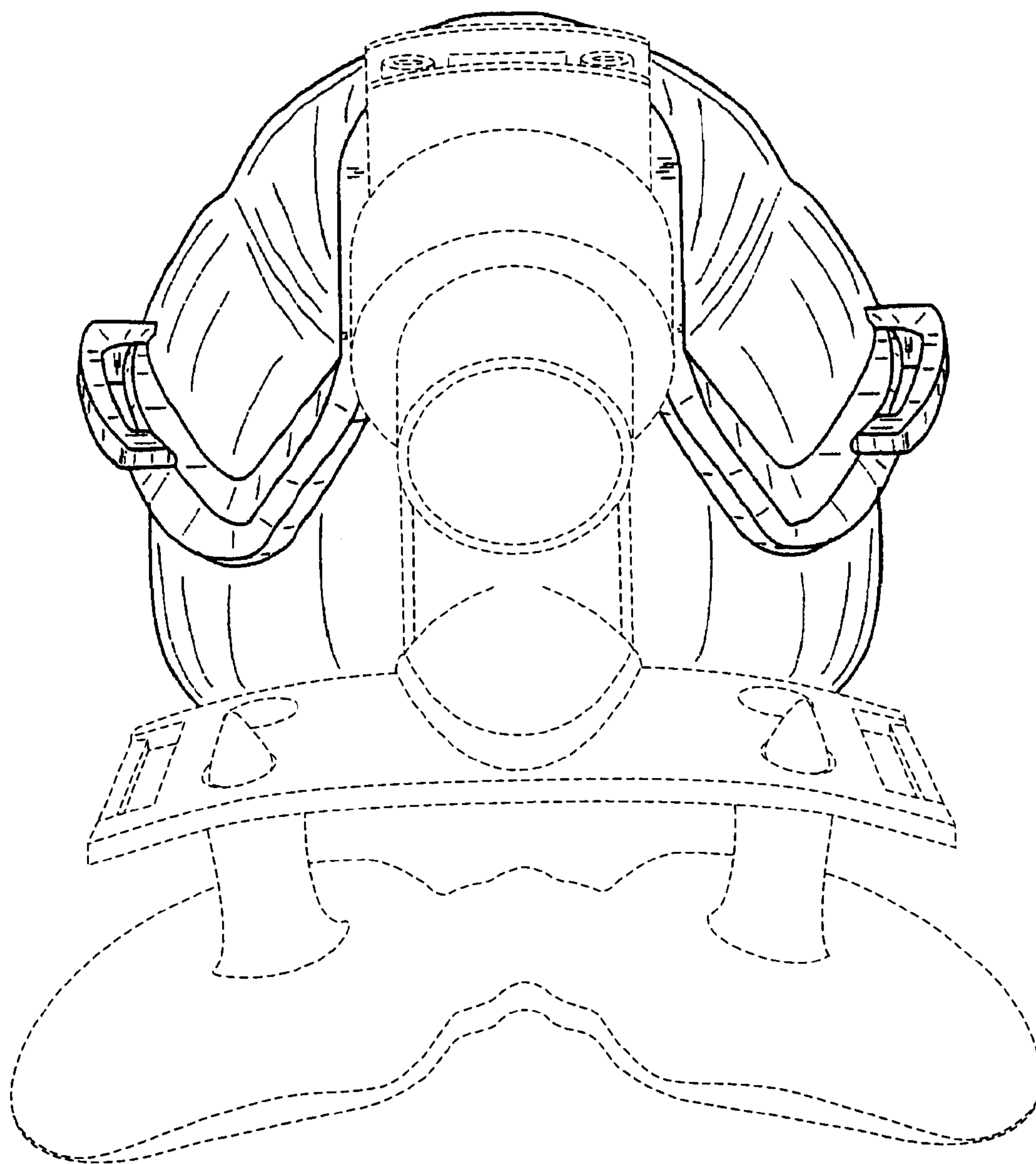


FIG. 6

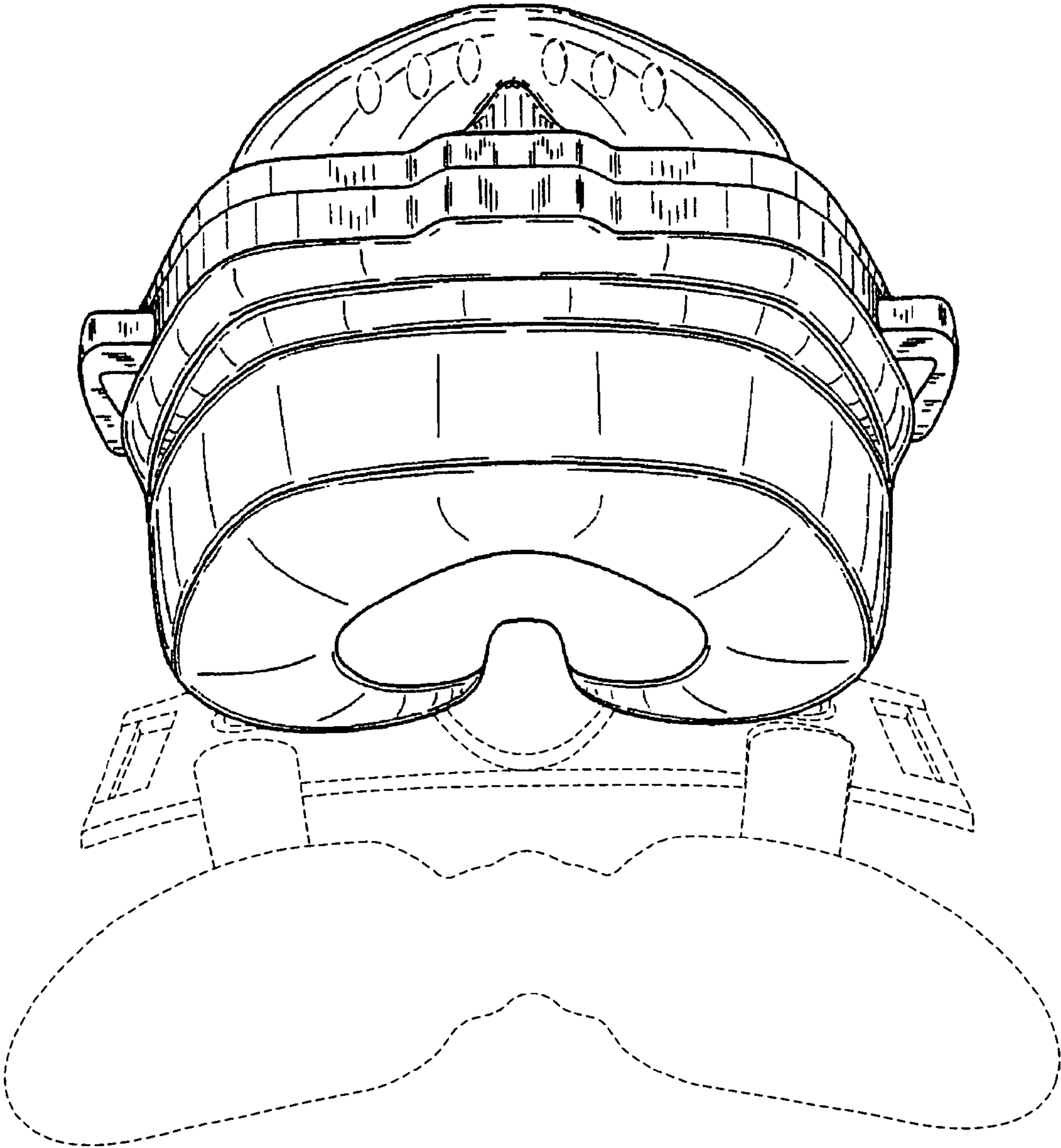


FIG. 7