



US00D614760S

(12) **United States Design Patent**
Smutney et al.

(10) **Patent No.:** **US D614,760 S**

(45) **Date of Patent:** **** Apr. 27, 2010**

(54) **DRY POWDER INHALER**

(75) Inventors: **Chad C. Smutney**, Watertown, CT (US);
John M. Polidoro, Coventry, CT (US);
P. Spencer Kinsey, Sandy Hook, CT
(US); **Benoit Adamo**, Mount Kisco, NY
(US)

(73) Assignee: **MannKind Corporation**, Valencia, CA
(US)

(**) Term: **14 Years**

(21) Appl. No.: **29/333,232**

(22) Filed: **Mar. 4, 2009**

Related U.S. Application Data

(63) Continuation-in-part of application No. 29/319,777,
filed on Jun. 13, 2008, now Pat. No. Des. 597,657.

(51) **LOC (9) Cl.** **29-02**

(52) **U.S. Cl.** **D24/110**

(58) **Field of Classification Search** D24/110;
128/200.23, 200.12, 200.14, 200.21, 205.23,
128/203.12, 203.15

See application file for complete search history.

(56) **References Cited**

U.S. PATENT DOCUMENTS

D276,654 S * 12/1984 Snellman-Wasenius et al. . D24/
110

D326,517 S * 5/1992 Funai et al. D24/110

D463,544 S * 9/2002 Engelbreth et al. D24/110
D604,833 S * 11/2009 Polidoro D24/110

* cited by examiner

Primary Examiner—Ian Simmons

Assistant Examiner—Christopher Lee

(74) *Attorney, Agent, or Firm*—Louis C. Cullman; Brian J.
Novak; K&L Gates LLP

(57) **CLAIM**

The ornamental design for a dry powder inhaler, as shown and
described.

DESCRIPTION

FIG. 1 is a perspective view of our new dry powder inhaler
design.

FIG. 2 is a top view of the dry powder inhaler shown in FIG.
1.

FIG. 3 is a bottom view of the dry powder inhaler shown in
FIG. 1.

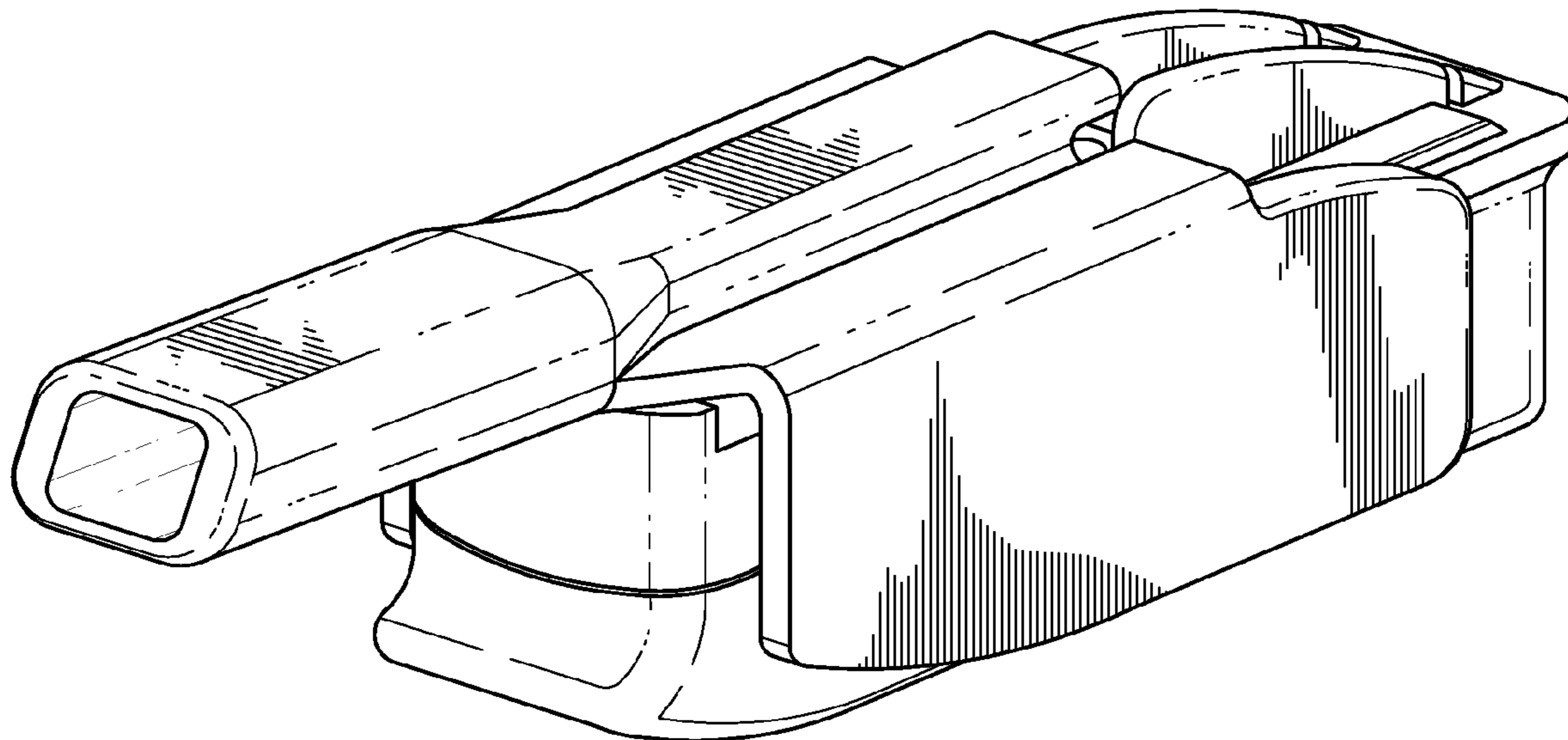
FIG. 4 is a side view of the dry powder inhaler shown in FIG.
1.

FIG. 5 is a front view of the dry powder inhaler shown in FIG.
1; and,

FIG. 6 is a back view of the dry powder inhaler shown in FIG.
1.

The broken lines in FIG. 3 are included for the purpose of
illustrating environmental structure of the dry powder inhaler
that forms no part of the claimed design.

1 Claim, 5 Drawing Sheets



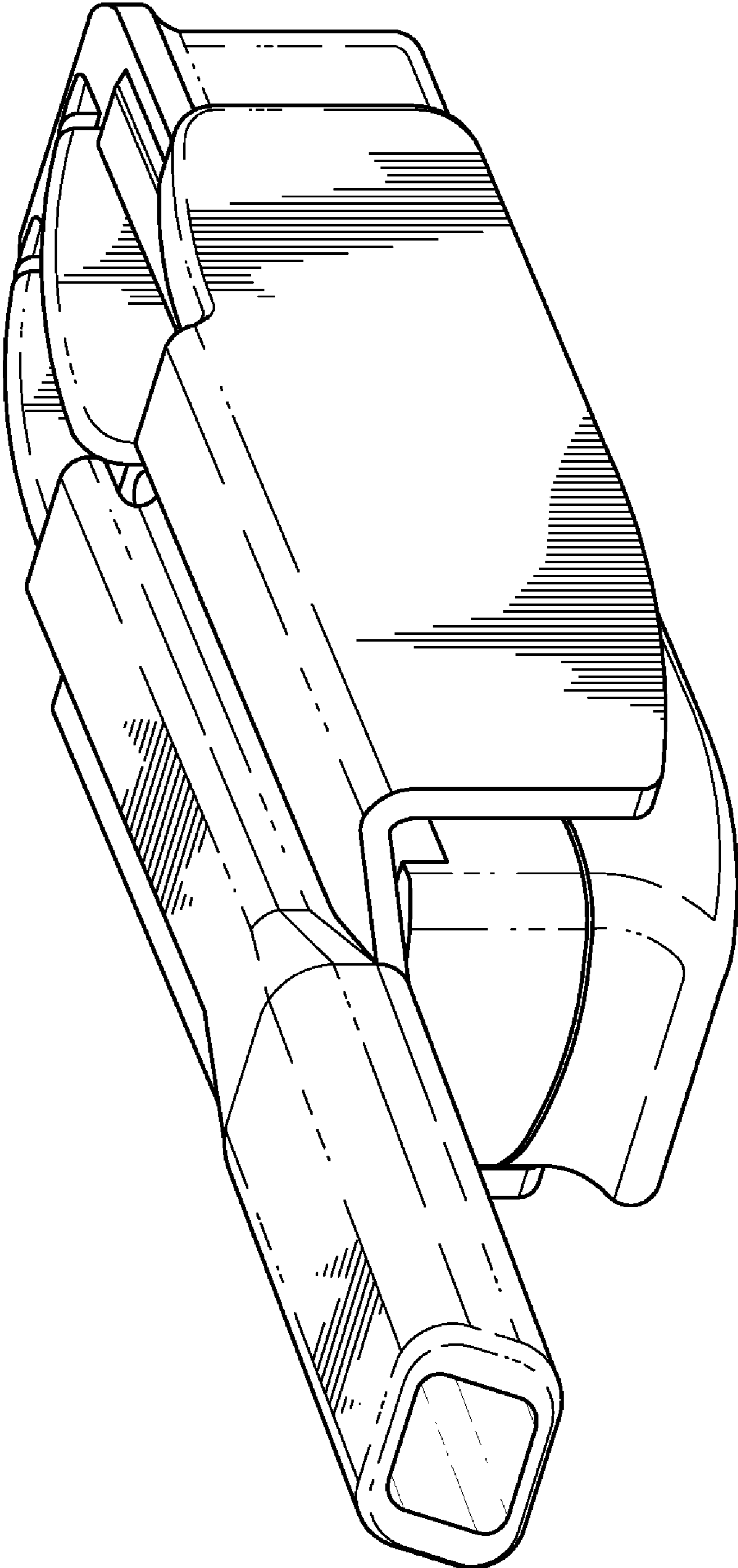


FIG. 1

FIG. 2

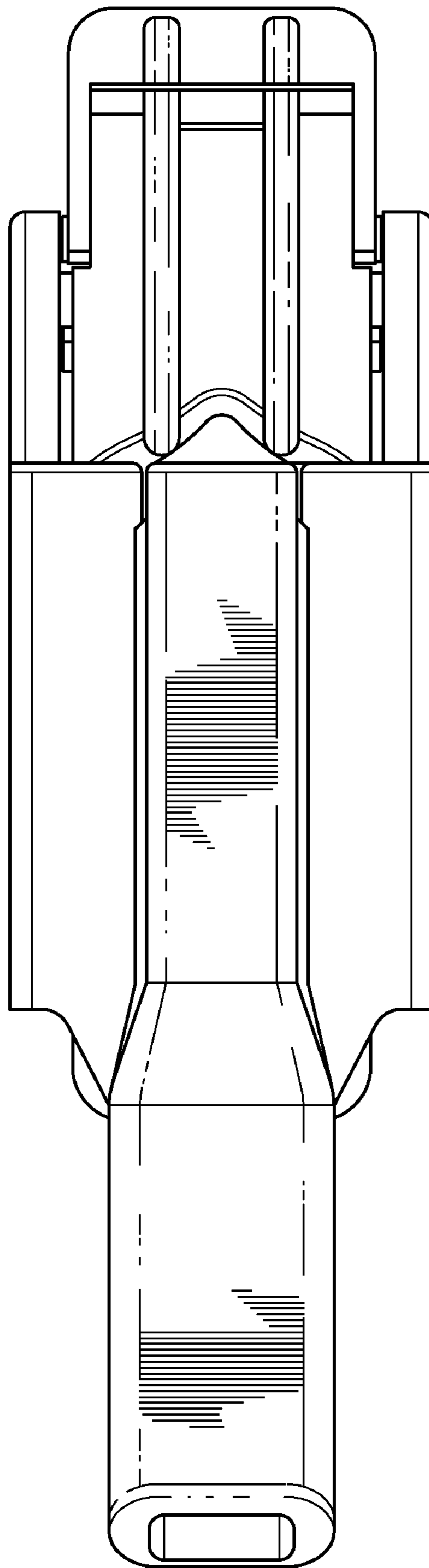
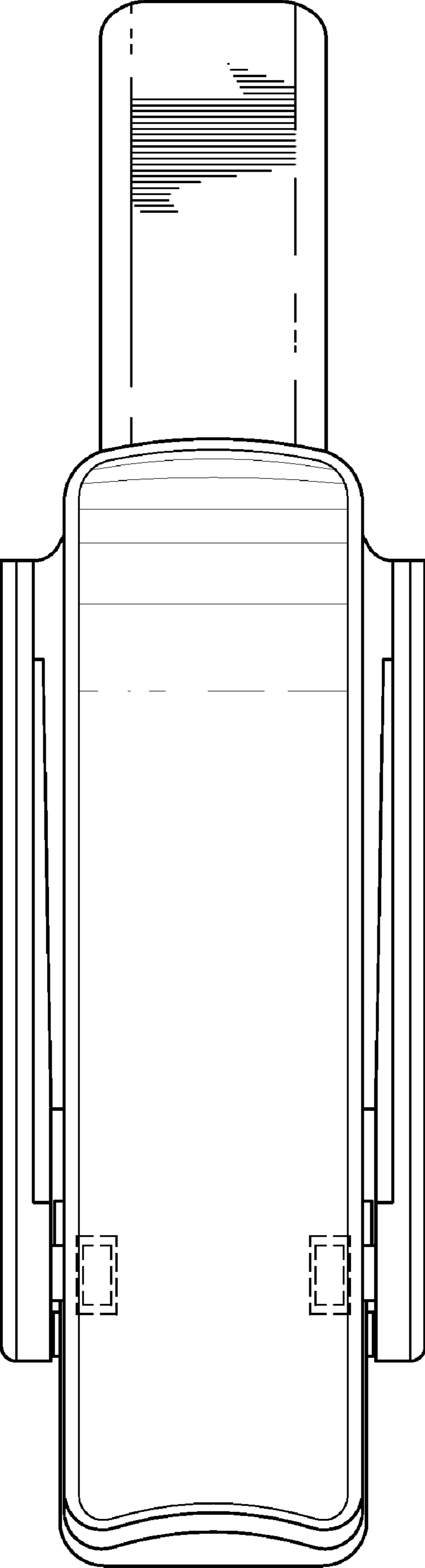


FIG. 3



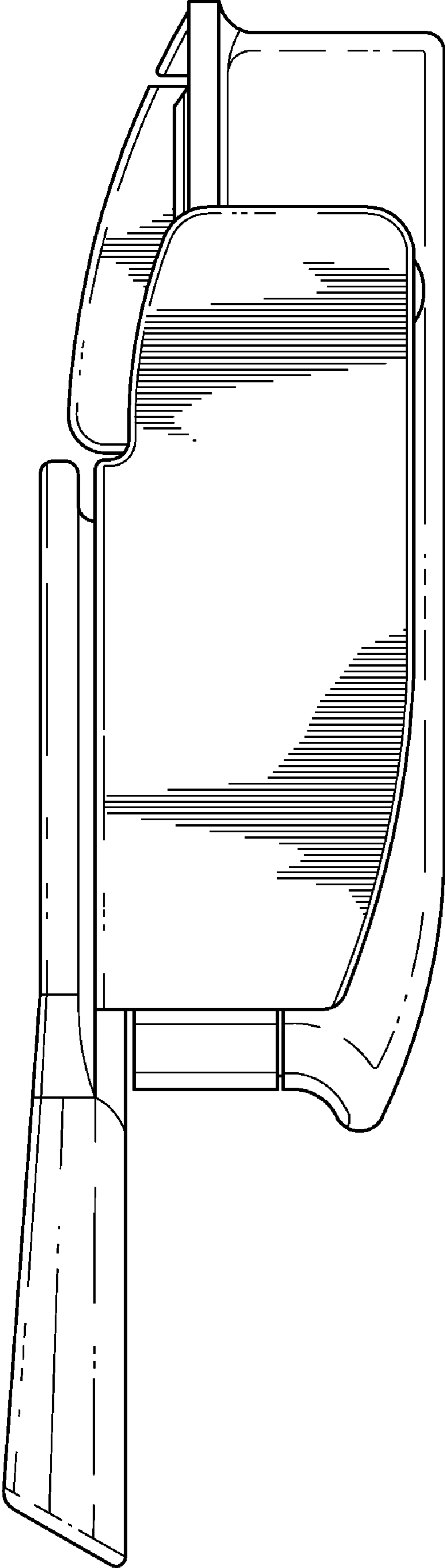


FIG. 4

FIG. 5

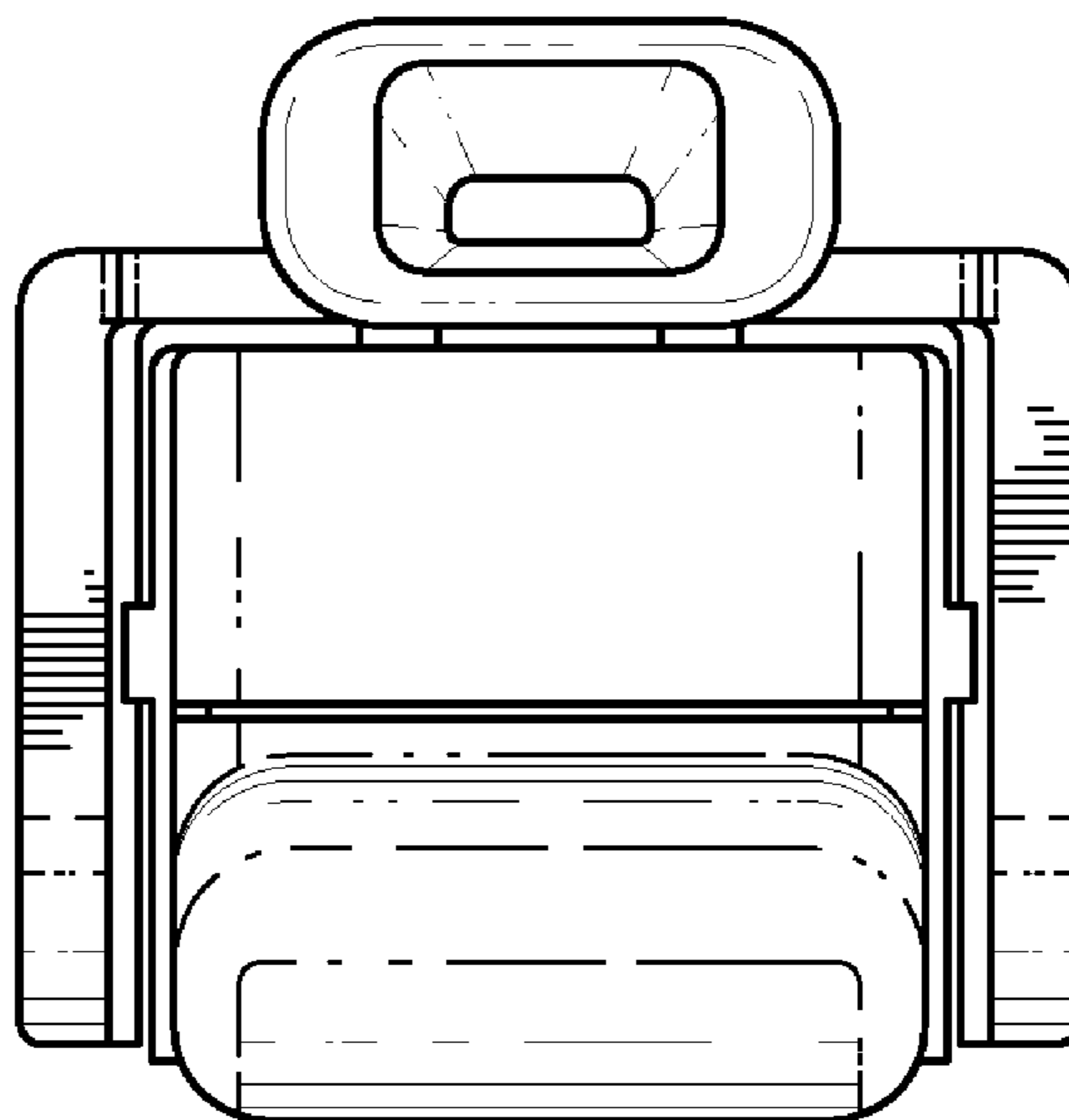


FIG. 6

