



US00D614759S

(12) **United States Design Patent**
Shurtleff

(10) **Patent No.:** **US D614,759 S**

(45) **Date of Patent:** **** Apr. 27, 2010**

(54) **CEILING FAN MOTOR HOUSING**

D530,812 S * 10/2006 Guthrie D23/411

(75) Inventor: **Mark L. Shurtleff**, Long Beach, CA
(US)

* cited by examiner

Primary Examiner—Lisa P Lichtenstein

(73) Assignee: **Air Cool Industrial Co., Ltd.**, Taichung
County (TW)

(74) *Attorney, Agent, or Firm*—Ming Chow; Sinorica, LLC

(**) Term: **14 Years**

(57) **CLAIM**

(21) Appl. No.: **29/346,342**

I claim the ornamental design for a ceiling fan motor housing,
as shown and described.

(22) Filed: **Oct. 30, 2009**

DESCRIPTION

(51) **LOC (9) Cl.** **23-04**

FIG. 1 is a front perspective view of a ceiling fan motor housing showing my new design;

(52) **U.S. Cl.** **D23/411**

FIG. 2 is a front elevational view thereof;

(58) **Field of Classification Search** D23/377,

FIG. 3 is a rear elevational view thereof.

D23/379, 385, 411, 413; 416/5

FIG. 4 is a left side elevational view thereof;

See application file for complete search history.

FIG. 5 is a right side elevational view thereof;

(56) **References Cited**

FIG. 6 is a top plan view thereof; and,

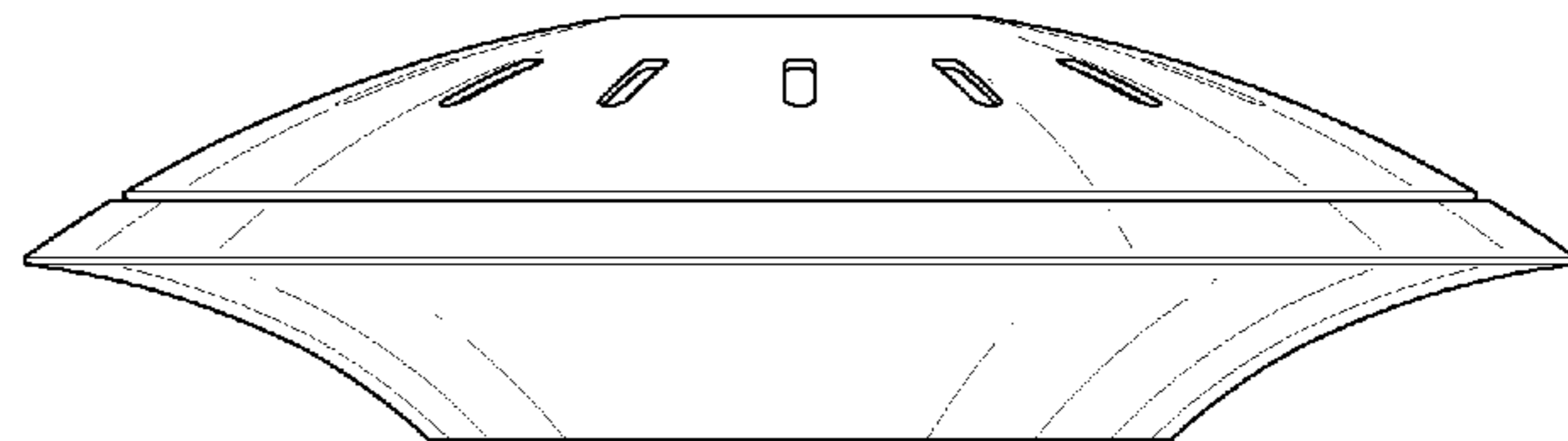
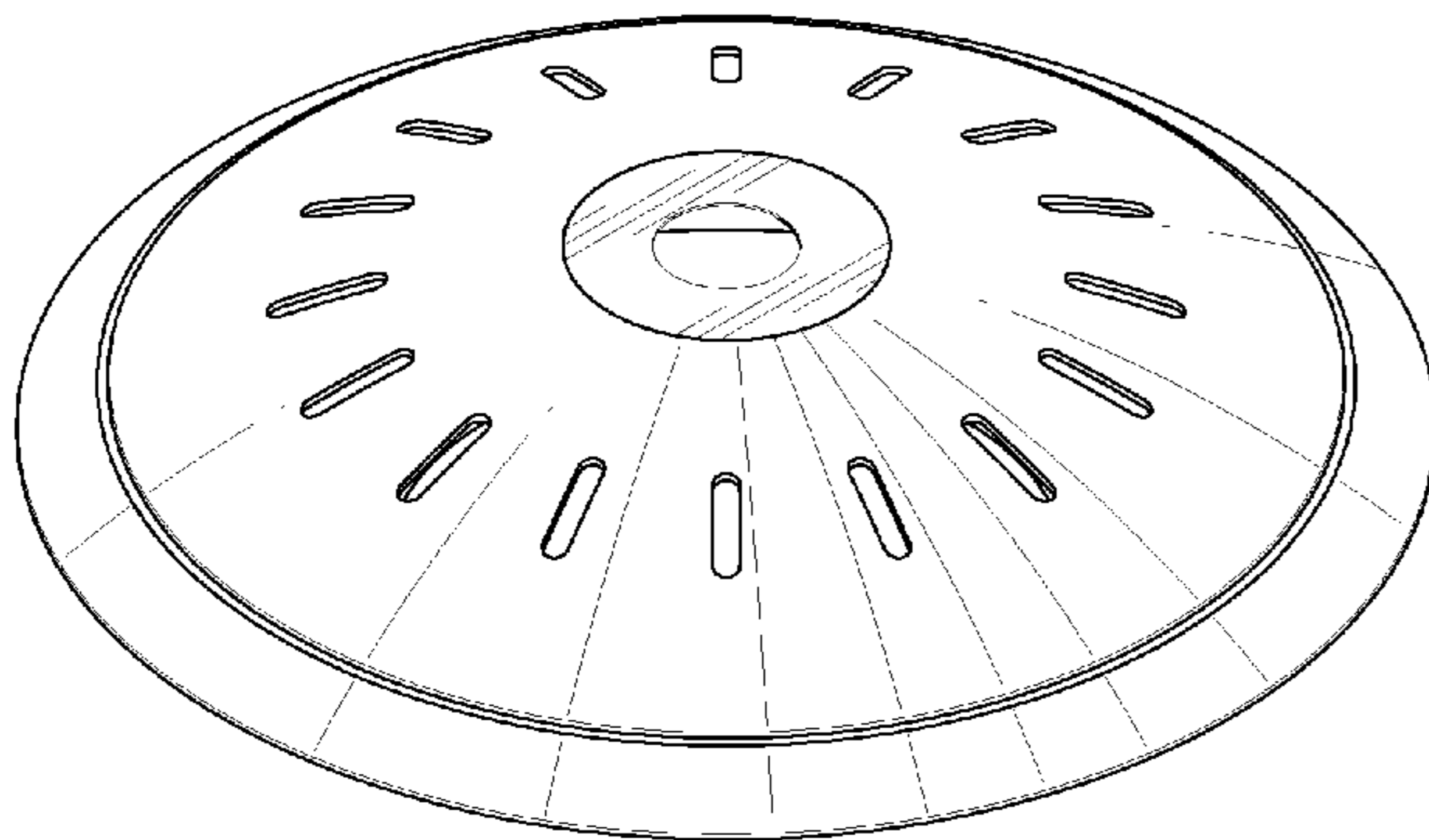
U.S. PATENT DOCUMENTS

FIG. 7 is a bottom plan view thereof.

D408,518 S * 4/1999 Liu D23/377

D494,267 S * 8/2004 Burns D23/411

1 Claim, 5 Drawing Sheets



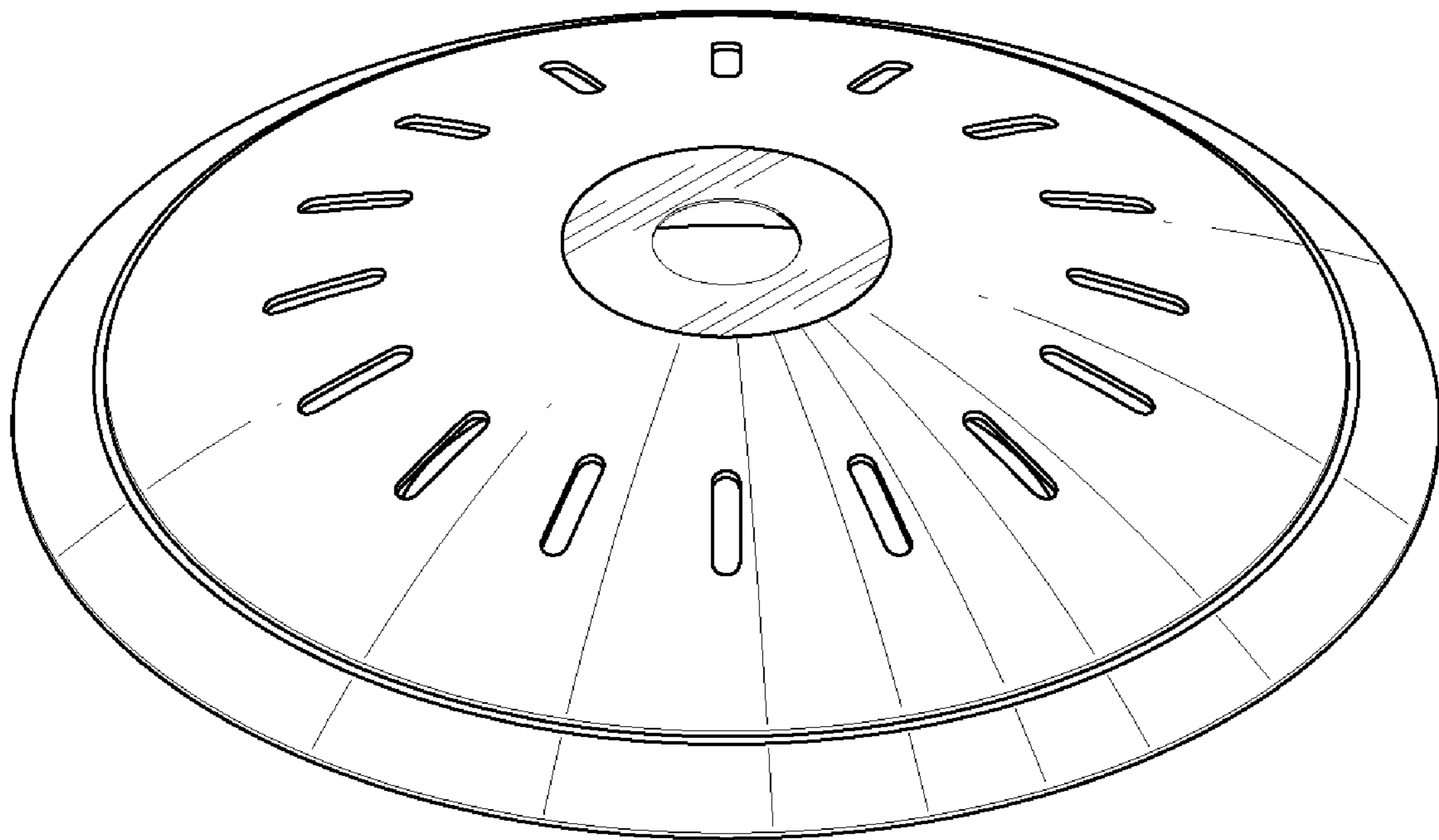


FIG. 1

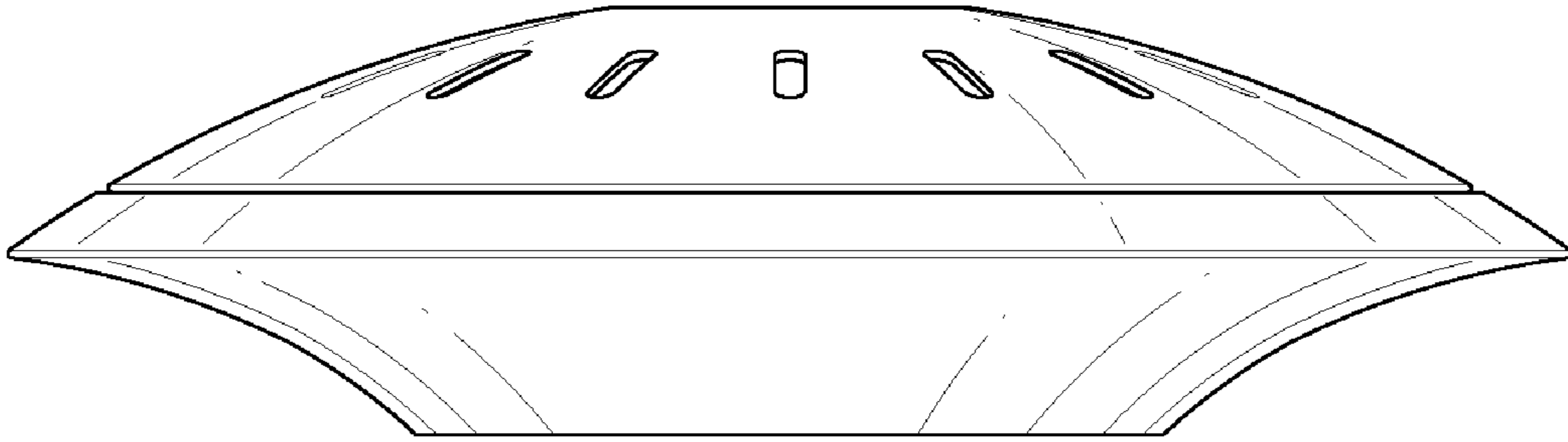


FIG. 2

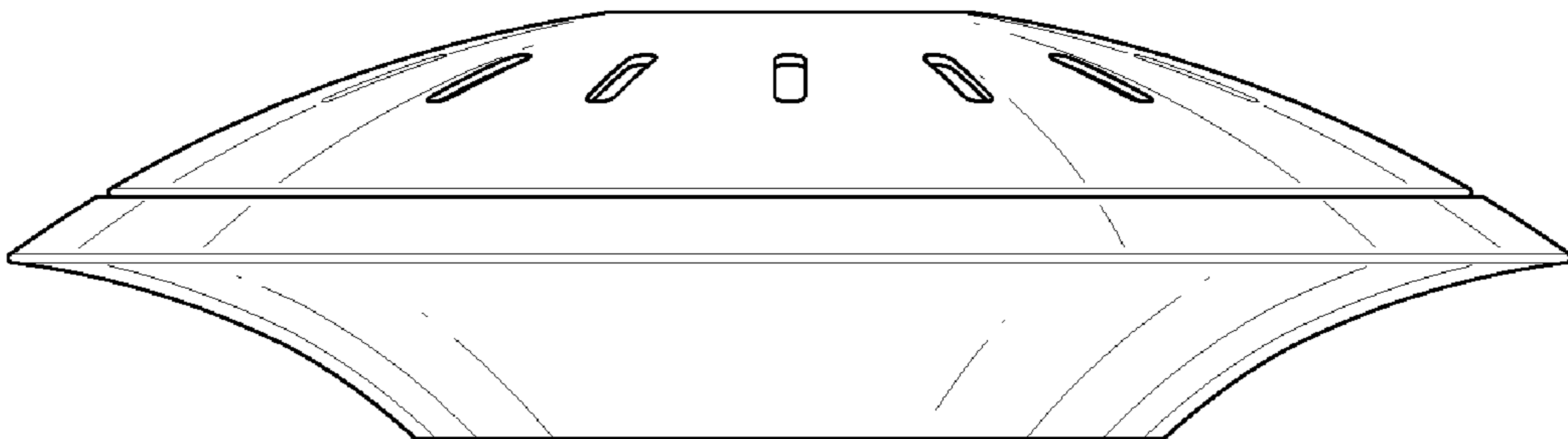


FIG. 3

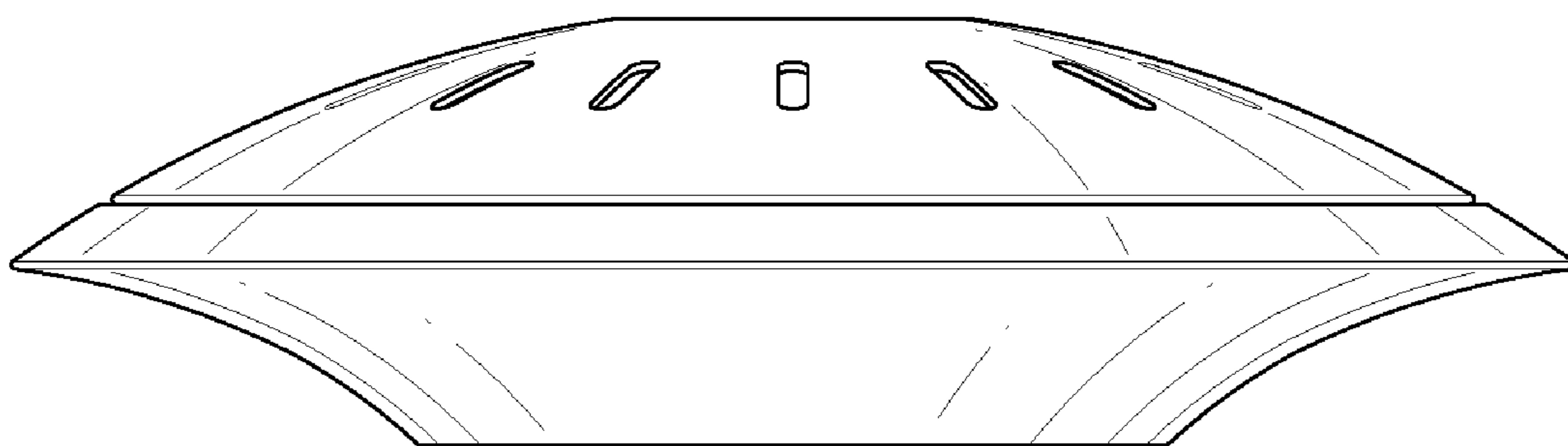


FIG. 4

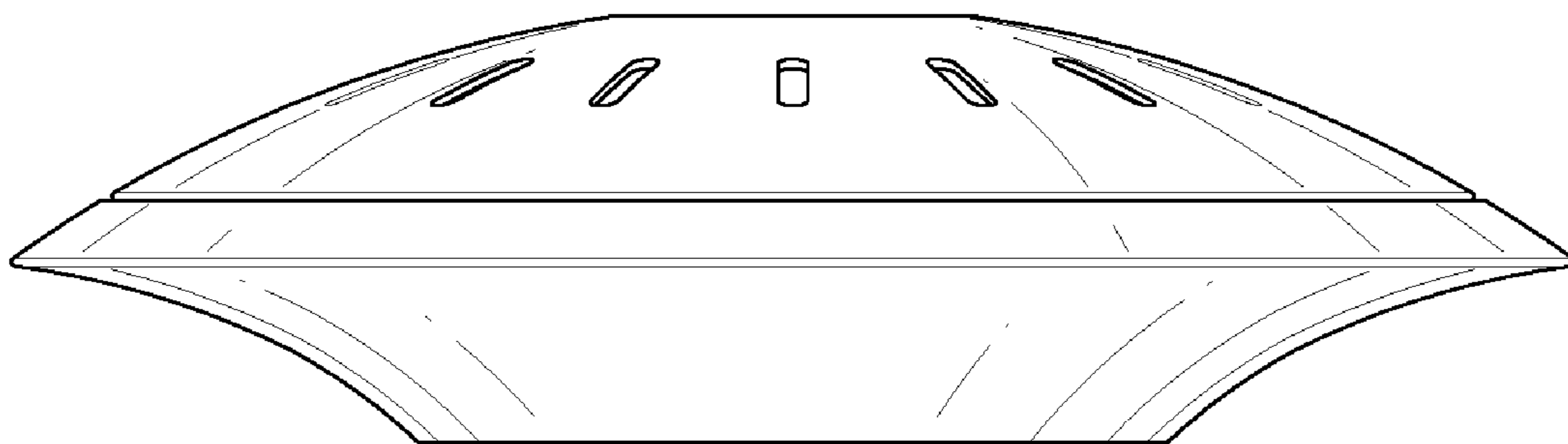


FIG. 5

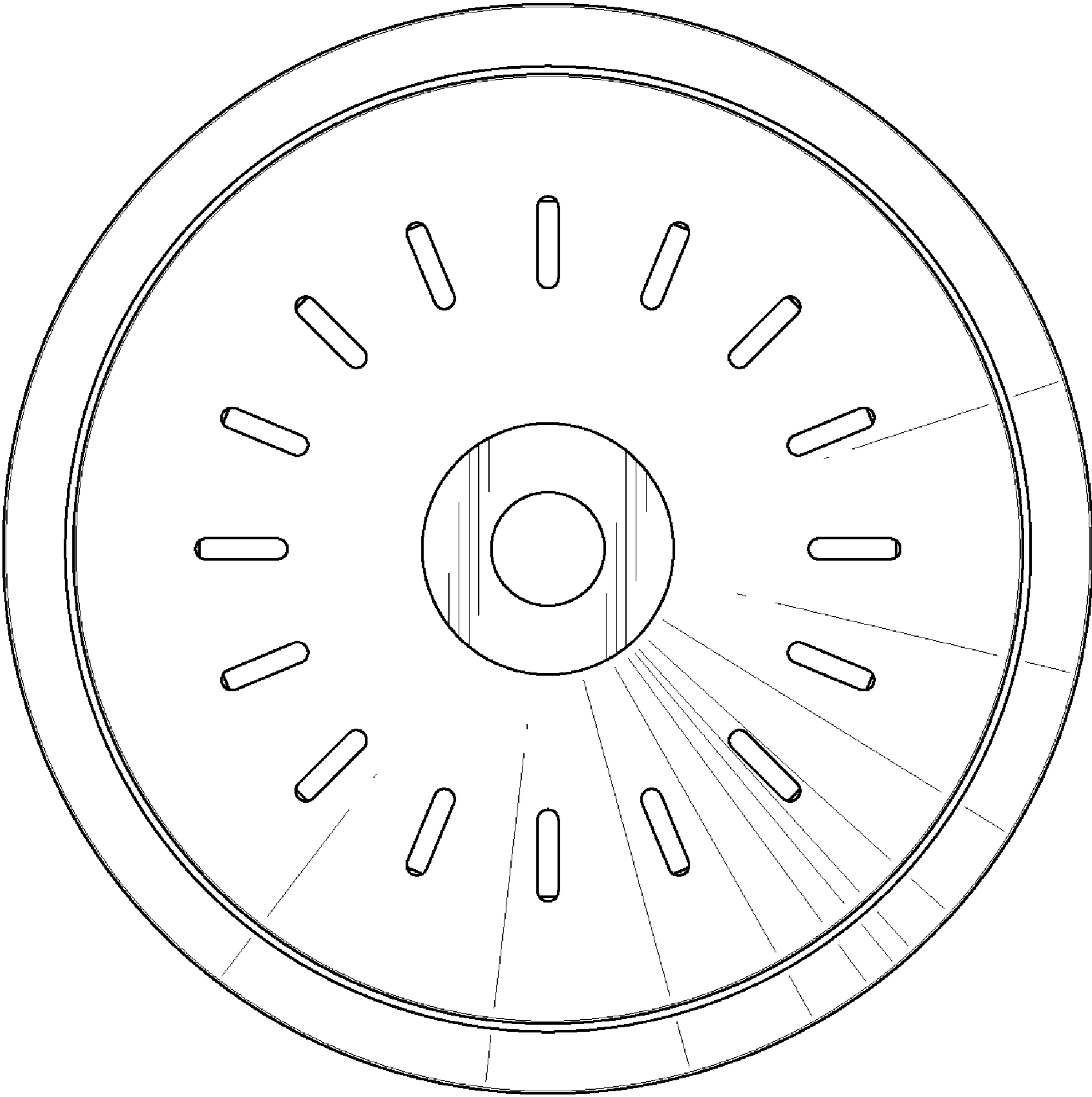


FIG. 6

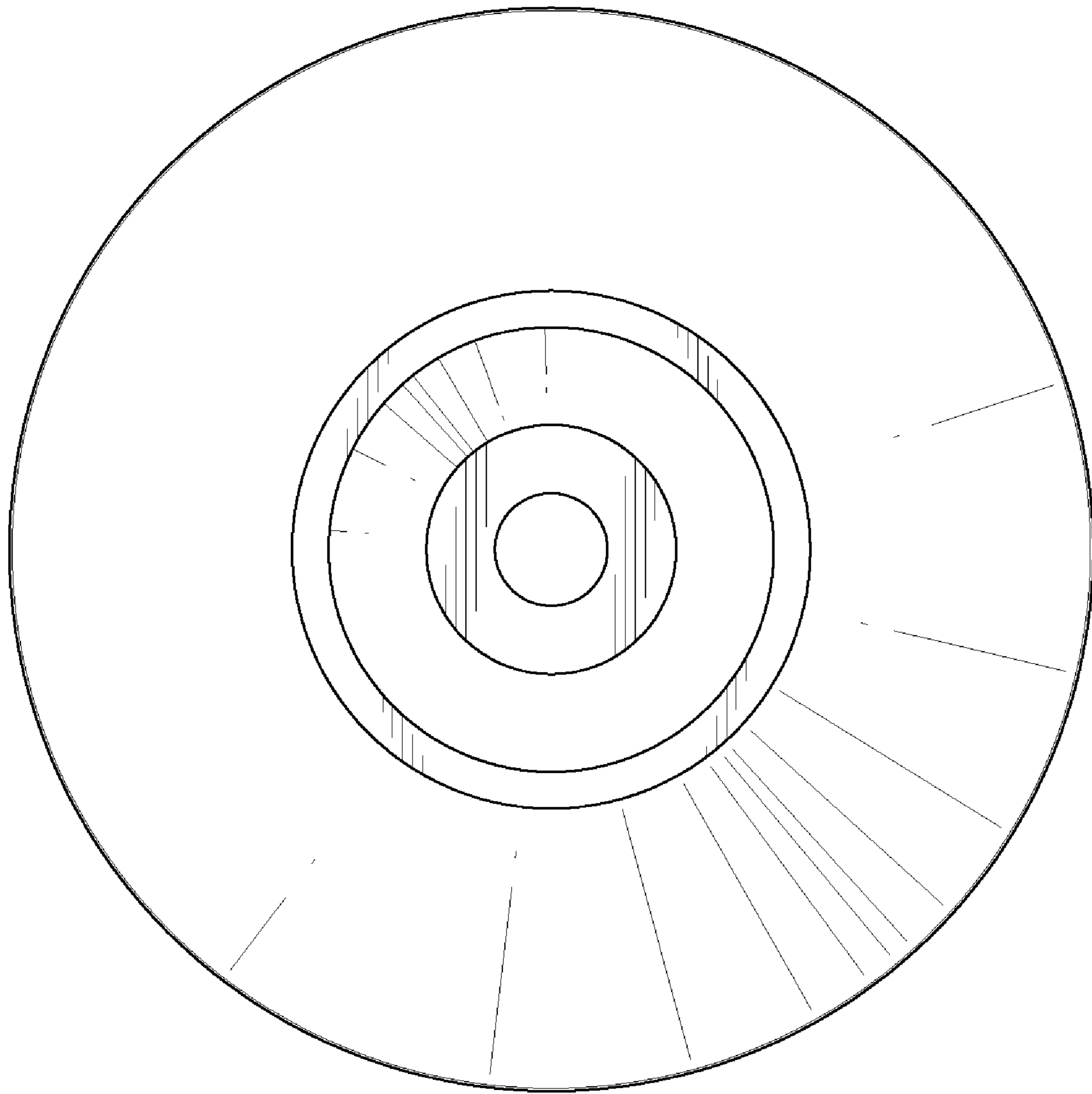


FIG. 7