



US00D614755S

(12) **United States Design Patent**
Brewster

(10) **Patent No.:** **US D614,755 S**
(45) **Date of Patent:** **** Apr. 27, 2010**

(54) **FRAGRANCE WARMER**

(75) Inventor: **Thomas Brewster**, Claymont, DE (US)

(73) Assignee: **Brandywine Product Group International Inc.**, Wilmington, DE (US)

(**) Term: **14 Years**

(21) Appl. No.: **29/350,188**

(22) Filed: **Nov. 12, 2009**

(51) **LOC (9) Cl.** **28-99**

(52) **U.S. Cl.** **D23/366**

(58) **Field of Classification Search** D23/355-369;
D28/5, 6; 261/DIG. 17, DIG. 42, DIG. 65,
261/DIG. 88, DIG. 89; 392/386, 390, 391,
392/392, 394, 395, 389, 393; 239/34, 35,
239/43-45, 53, 56, 57, 60, 326, 42, 50, 55

See application file for complete search history.

(56) **References Cited**

U.S. PATENT DOCUMENTS

4,467,177	A	8/1984	Zobe	
5,038,394	A	8/1991	Hasegawa et al.	
5,095,647	A	3/1992	Zobe et al.	
5,222,186	A	6/1993	Schimanski et al.	
5,290,546	A	3/1994	Hasegawa et al.	
5,647,053	A	7/1997	Schroeder et al.	
D386,974	S	12/1997	Wefler	
D393,063	S	3/1998	Wefler	
5,909,845	A	6/1999	Greatbatch et al.	
6,104,867	A	8/2000	Stathakis et al.	
D432,222	S *	10/2000	Rymer et al.	D23/366
D433,744	S *	11/2000	Basaganas	D23/366
D439,319	S	3/2001	Wolpert	
6,278,840	B1	8/2001	Basaganas Millan	
6,285,830	B1	9/2001	Basaganas Millan	
D461,549	S *	8/2002	Garcia	D23/360
6,466,739	B2	10/2002	Ambrosi et al.	
6,567,613	B2	5/2003	Rymer	
6,580,875	B2	6/2003	Rymer	
6,584,717	B2	7/2003	Cinquina et al.	

6,622,662	B1	9/2003	Wolpert et al.	
6,659,301	B2	12/2003	Fellows et al.	
6,766,773	B2	7/2004	Wolpert et al.	
8,792,199		9/2004	Levine et al.	
D501,921	S *	2/2005	Caserta et al.	D23/366

(Continued)

Primary Examiner—Sandra Snapp
(74) *Attorney, Agent, or Firm*—Connolly Bove Lodge & Hutz LLP

(57) **CLAIM**

The ornamental design for a fragrance warmer, as shown and described.

DESCRIPTION

FIG. 1 is a right front perspective view of a fragrance warmer with a bottle containing liquid fragrance oil held therein showing the fragrance warmer invention, wherein the bottle and a portion of an electric plug extending from the rear of the fragrance warmer are shown in broken lines;

FIG. 2 is a front elevational view of the fragrance warmer of FIG. 1 without the bottle containing liquid fragrance oil held therein;

FIG. 3 is a right side elevational view of the fragrance warmer of FIG. 1;

FIG. 4 is a top plan view of the fragrance warmer of FIG. 1;

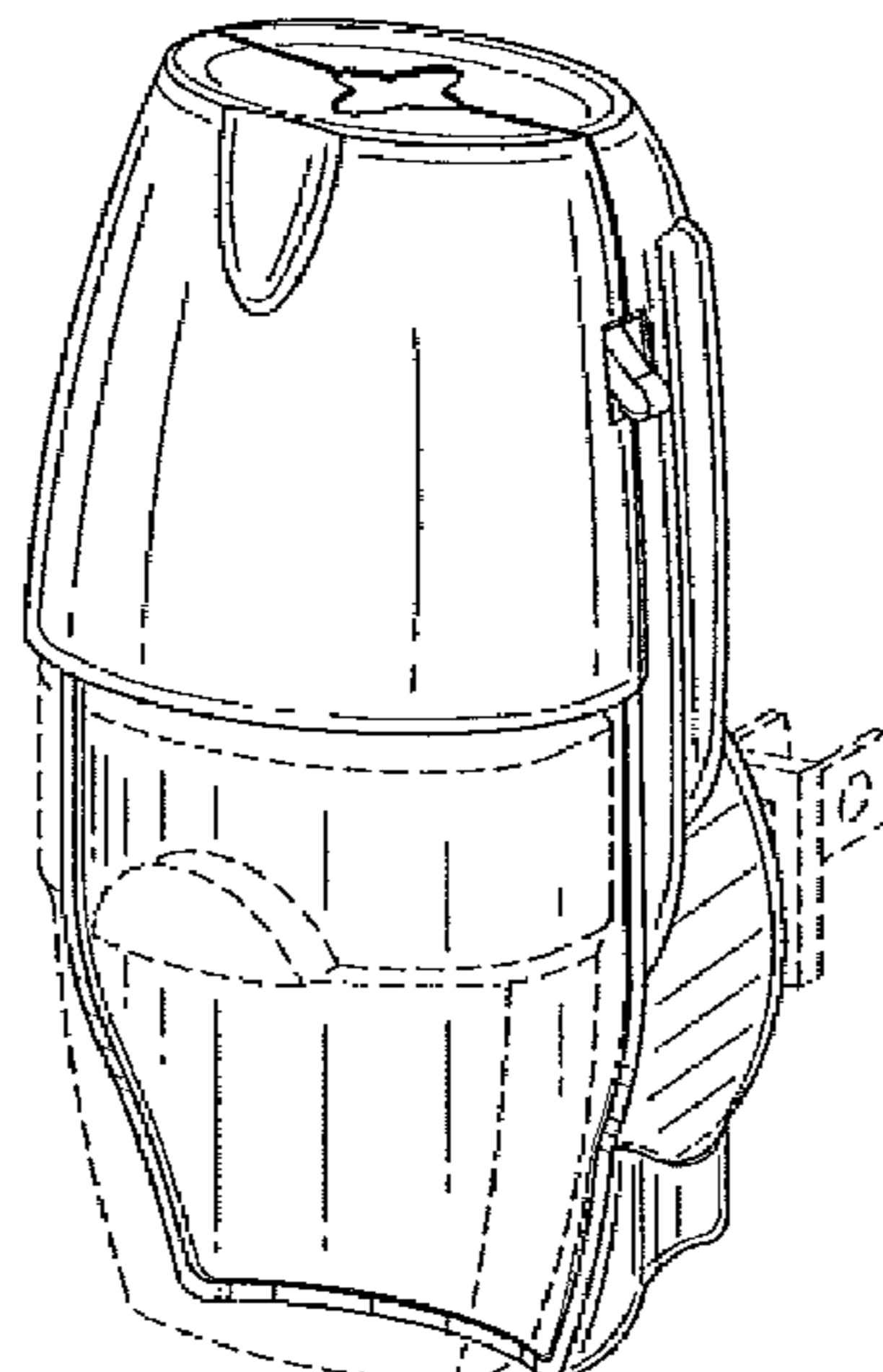
FIG. 5 is a bottom plan view of the fragrance warmer of FIG. 1;

FIG. 6 is a rear elevational view of the fragrance warmer of FIG. 1; and,

FIG. 7 is a left side elevational view of the fragrance warmer of FIG. 1.

The broken lines contained in the Figures are for illustrative purposes only and form no part of the claimed design.

1 Claim, 2 Drawing Sheets



US D614,755 S

Page 2

U.S. PATENT DOCUMENTS

6,859,615 B2	2/2005	Yip et al.	
8,854,717	2/2005	Millan	
6,862,403 B2	3/2005	Pedrotti et al.	
D503,621 S	4/2005	Heater	
D505,330 S	5/2005	Wolpert	
6,931,202 B2	8/2005	Pedrotti et al.	
D510,423 S *	10/2005	Caserta et al. D23/366
6,968,124 B1	11/2005	Varanasi et al.	
6,996,335 B2	2/2006	Zobebe	
7,014,818 B2	3/2006	Rymer	
D518,730 S	4/2006	Caserta et al.	
7,082,259 B2	7/2006	Zobebe	
7,140,553 B2	11/2006	Zobebe	
D539,892 S *	4/2007	Caserta et al. D23/366
7,209,650 B2	4/2007	Caserta et al.	
D561,883 S *	2/2008	Cantoni et al. D23/366
D567,920 S *	4/2008	Cantoni et al. D23/366
D567,923 S *	4/2008	Turchi et al. D23/366
D568,454 S *	5/2008	Bellofatto et al. D23/366
D568,978 S *	5/2008	Kennedy et al. D23/366
RE40,392 E *	6/2008	Rymer et al. D23/366
D573,705 S *	7/2008	Turchi et al. D23/366
D582,537 S *	12/2008	Kay et al. D23/366
D583,038 S *	12/2008	Kay et al. D23/366
D583,039 S *	12/2008	Kay et al. D23/366
D583,457 S *	12/2008	Kay et al. D23/366
2002/0172512 A1	11/2002	Stathakis et al.	
2006/0110144 A1	5/2006	Fellows et al.	
2006/0237439 A1	10/2006	Norwood et al.	
2007/0001025 A1	1/2007	Caserta et al.	

* cited by examiner

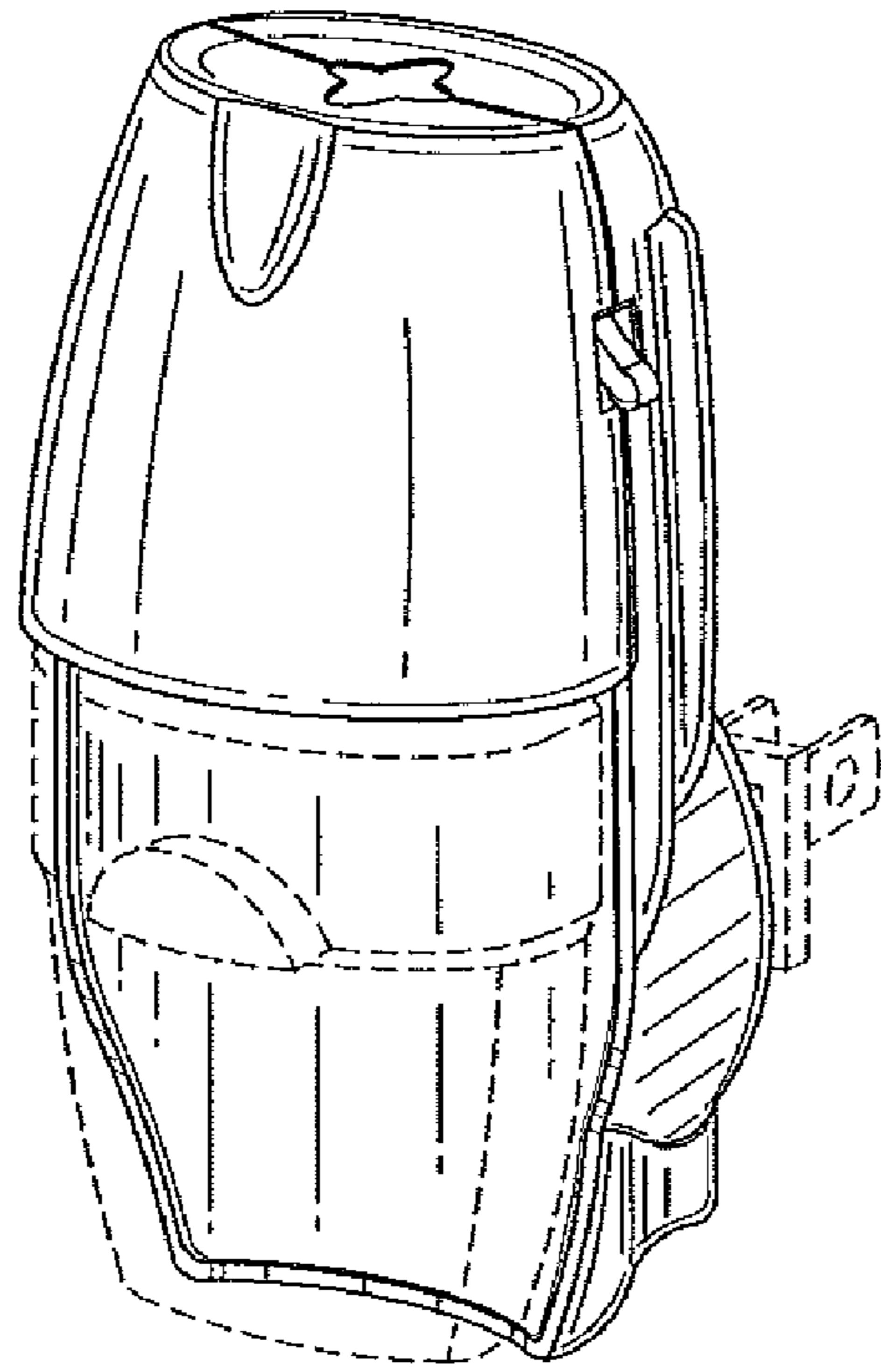


FIG. 1

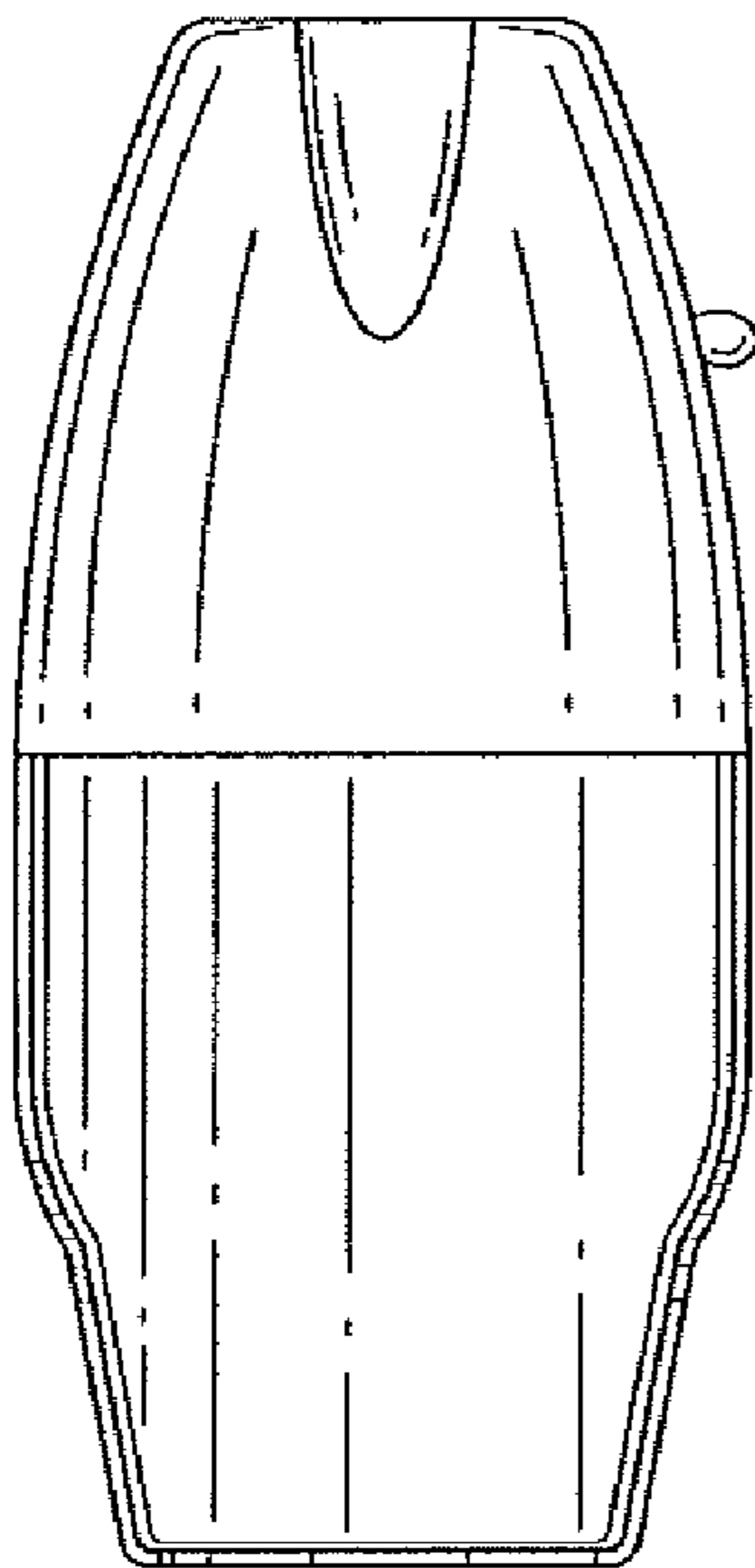


FIG. 2

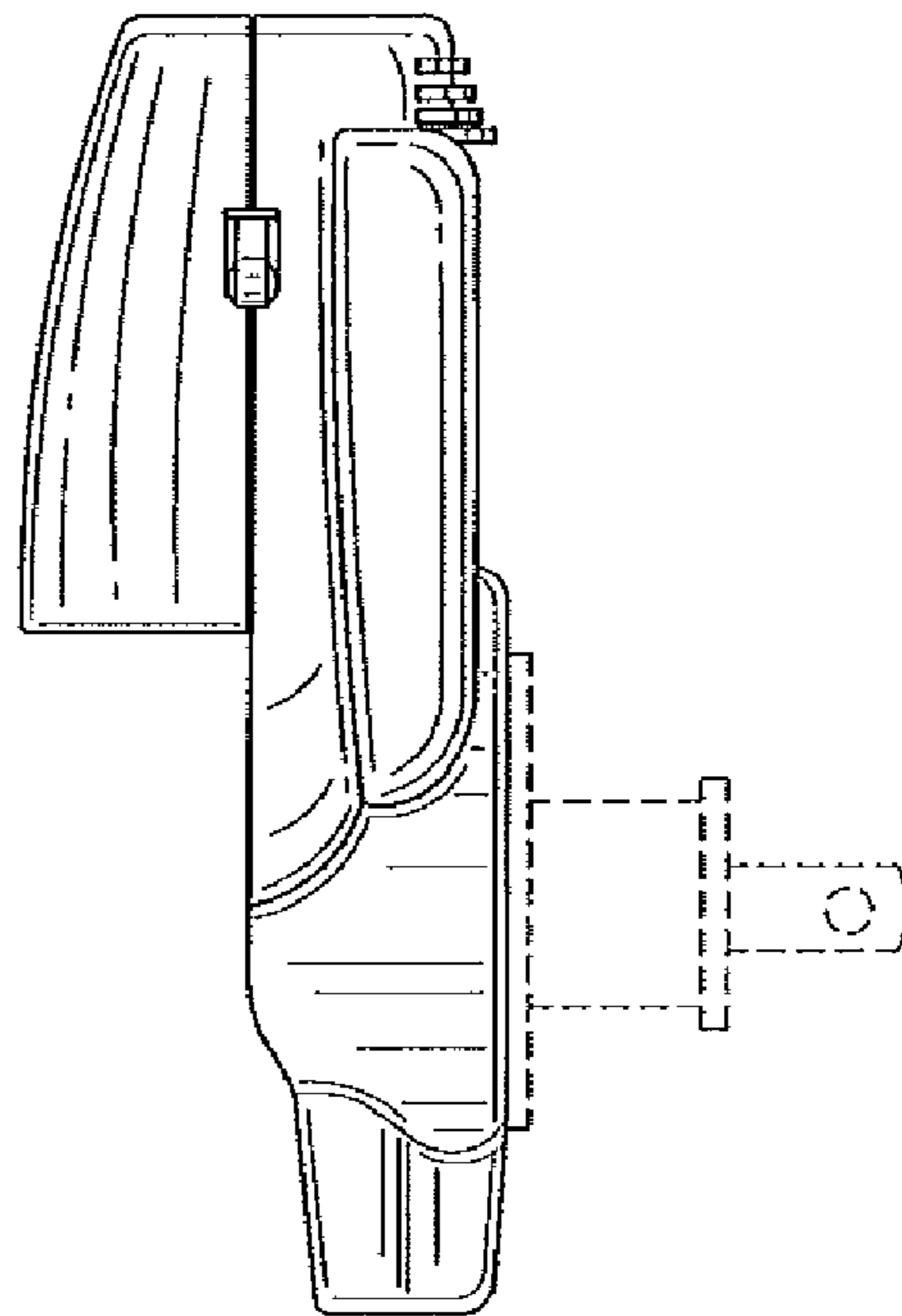


FIG. 3

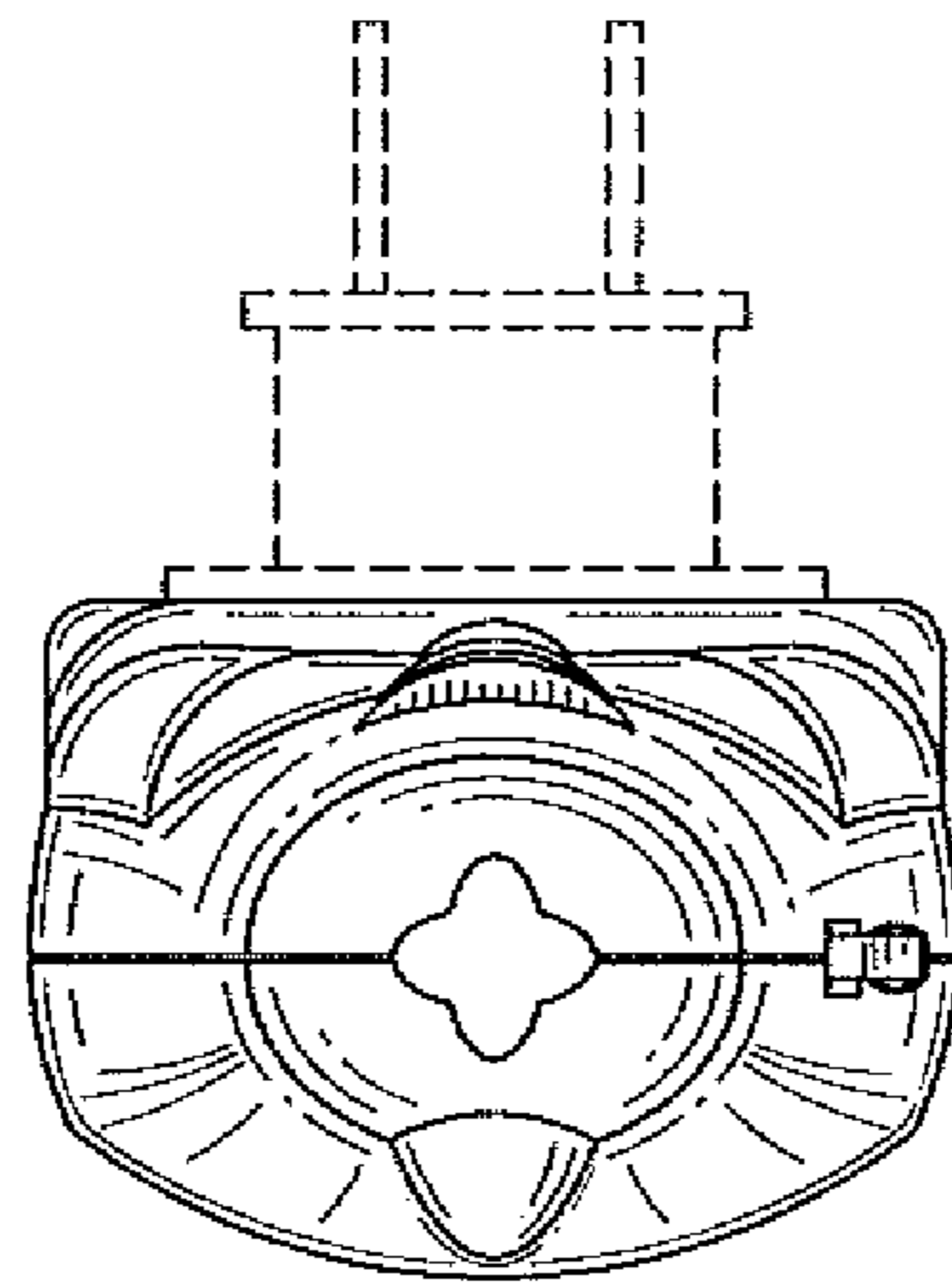


FIG. 4

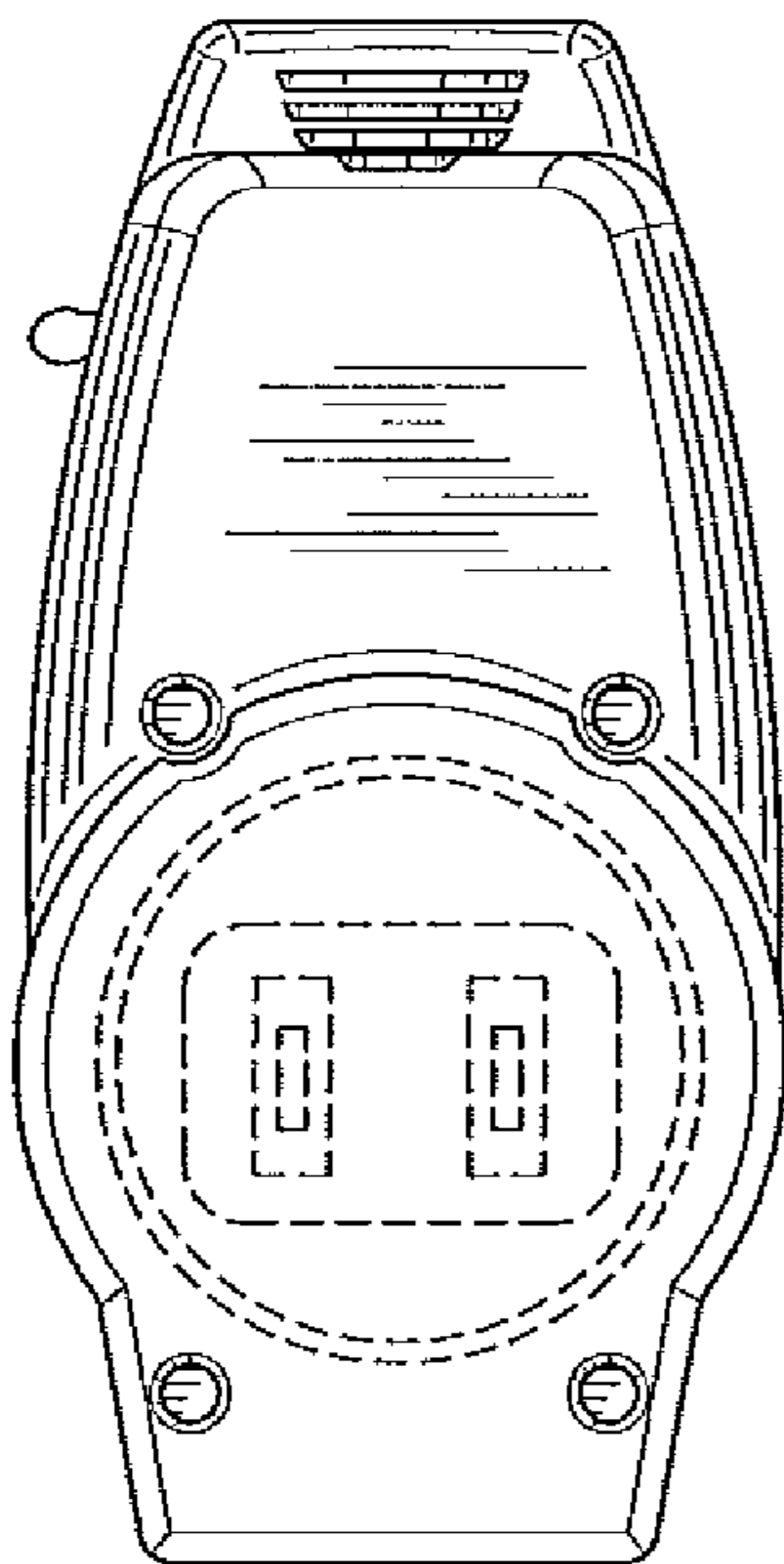


FIG. 6

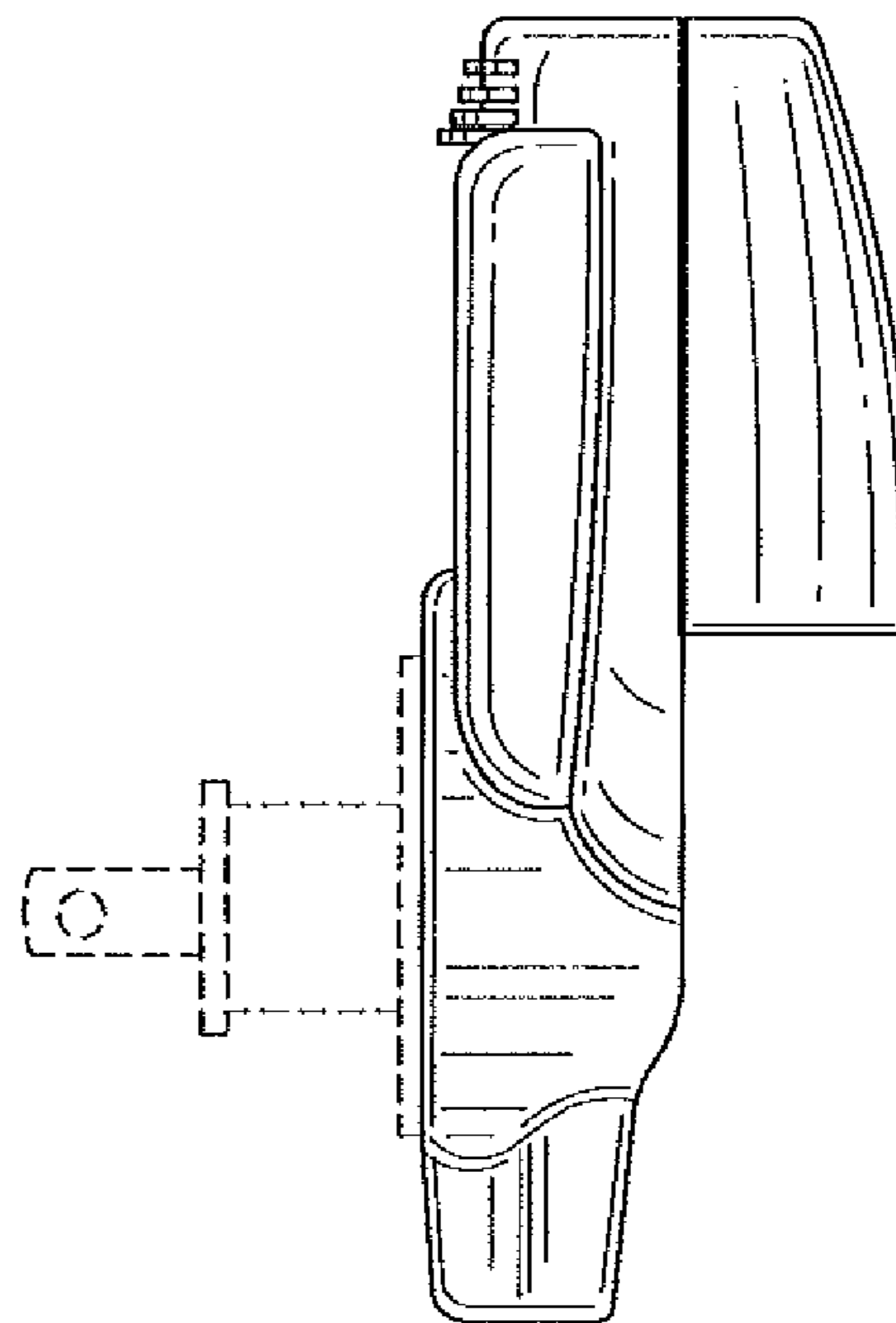


FIG. 7

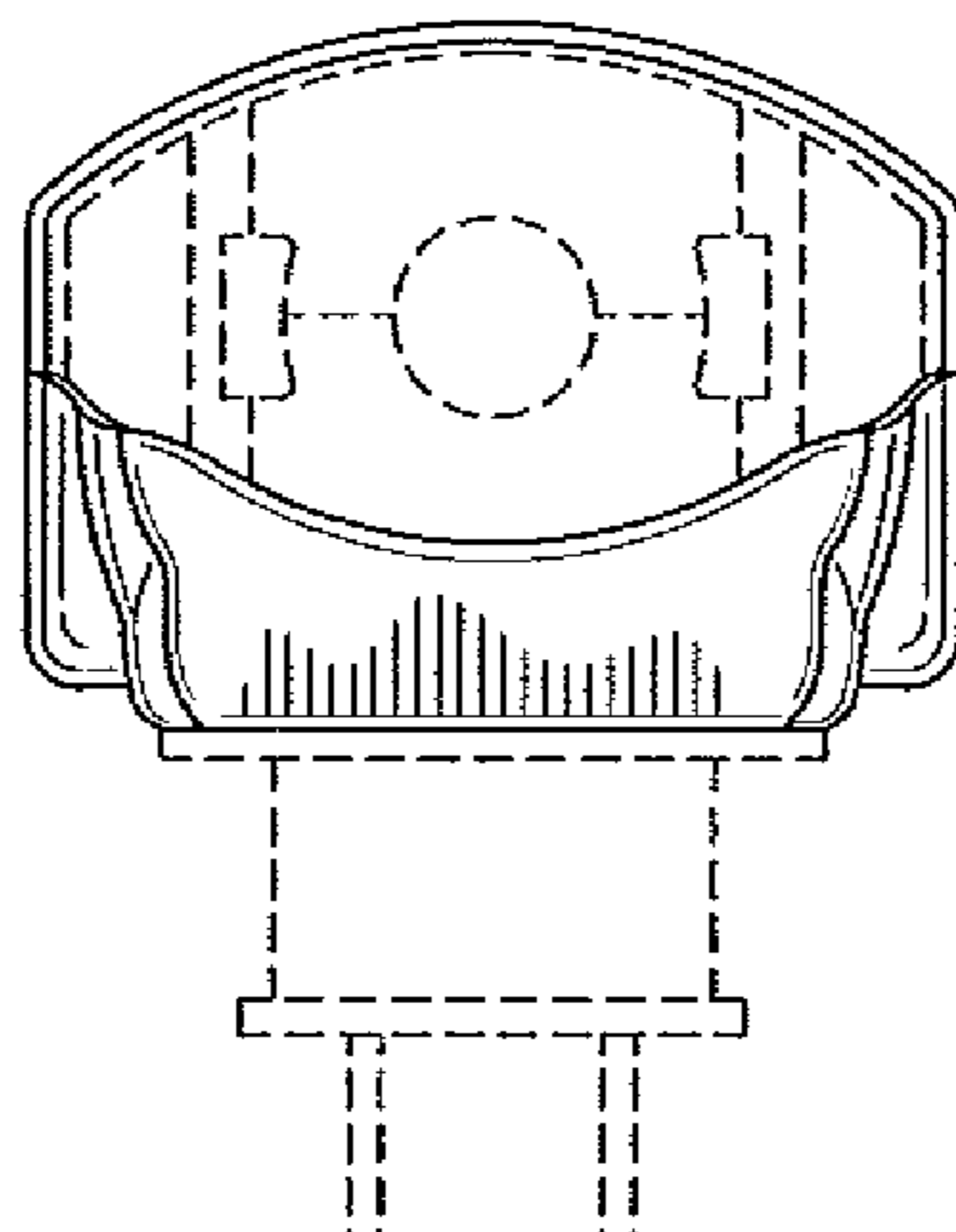


FIG. 5

UNITED STATES PATENT AND TRADEMARK OFFICE
CERTIFICATE OF CORRECTION

PATENT NO. : Des. 614,755 S
APPLICATION NO. : 29/350188
DATED : April 27, 2010
INVENTOR(S) : Thomas Brewster

Page 1 of 1

It is certified that error appears in the above-identified patent and that said Letters Patent is hereby corrected as shown below:

Title Page, item 56 in the References Cited section, under U.S. Patents, it should read
-- 6,792,199 -- not "8,792,199" and -- 6,854,717 -- not 8,854712.

Signed and Sealed this

First Day of June, 2010

A handwritten signature in black ink that reads "David J. Kappos". The signature is written in a cursive style with a large initial "D" and a stylized "K".

David J. Kappos
Director of the United States Patent and Trademark Office