



US00D614752S

(12) **United States Design Patent**
Gallo

(10) **Patent No.:** **US D614,752 S**
(45) **Date of Patent:** **** Apr. 27, 2010**

(54) **ASSEMBLY FOR WARMING TOWELS AND THE AMBIENT AIR**

(75) Inventor: **Christopher J. Gallo**, North Canton, OH (US)

(73) Assignee: **Heat Surge, LLC**, Canton, OH (US)

(**) Term: **14 Years**

(21) Appl. No.: **29/350,101**

(22) Filed: **Nov. 11, 2009**

(51) **LOC (9) Cl.** **23-03**

(52) **U.S. Cl.** **D23/314**

(58) **Field of Classification Search** D23/314,
D23/315, 317, 329, 332, 342, 333, 339, 338,
D23/340; D32/5, 6, 8, 10; D7/323, 324,
D7/326, 339, 349, 348; 219/386, 400, 401,
219/521, 385

See application file for complete search history.

(56) **References Cited**

U.S. PATENT DOCUMENTS

3,839,622	A *	10/1974	Mastin	219/400
4,644,136	A *	2/1987	Watchman	219/400
4,684,787	A *	8/1987	Bunting	219/400
4,694,146	A *	9/1987	DeMars	219/524
4,849,610	A *	7/1989	Alvarez	219/521
4,918,290	A *	4/1990	DeMars	219/400

4,927,995	A *	5/1990	Lovett et al.	219/385
5,842,287	A *	12/1998	Murphy	34/202
6,046,436	A	4/2000	Hunts		
6,525,298	B1 *	2/2003	Hunts	219/400
6,604,942	B2 *	8/2003	Sharp	432/266
7,171,761	B1 *	2/2007	Hunts	34/91
D552,920	S *	10/2007	Chung et al.	D7/348

* cited by examiner

Primary Examiner—T. Chase Nelson

Assistant Examiner—Ania K Dworkzecka

(74) *Attorney, Agent, or Firm*—Sand & Sebolt

(57) **CLAIM**

The ornamental design for an assembly for warming towels and the ambient air, as shown and described.

DESCRIPTION

FIG. 1 is a perspective view of an assembly for warming towels and the ambient air showing my new design;

FIG. 2 is a front elevation view thereof;

FIG. 3 is a rear elevation view thereof;

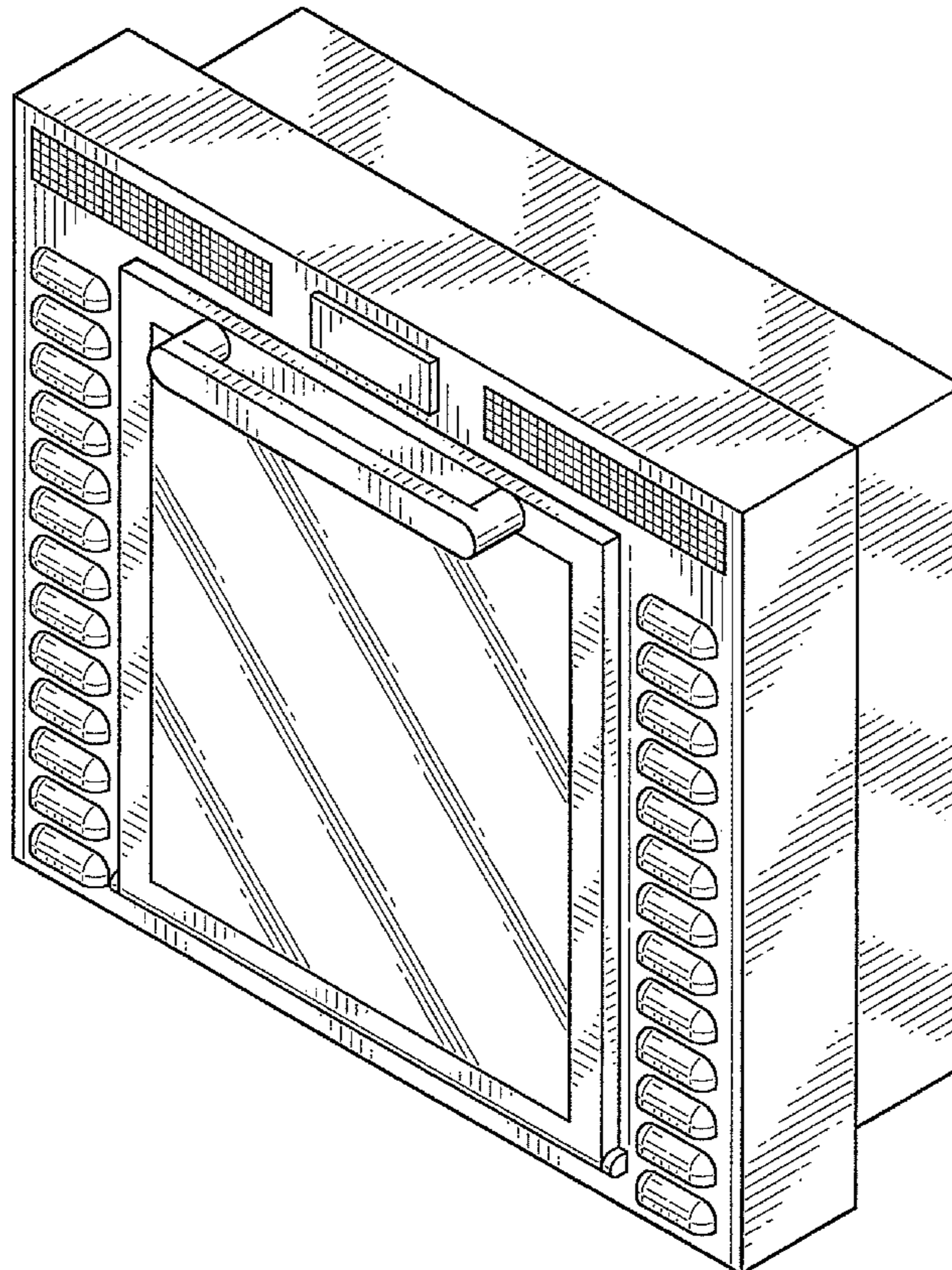
FIG. 4 is a top plan view thereof;

FIG. 5 is a bottom plan view thereof;

FIG. 6 is a left side elevation view thereof; and,

FIG. 7 is a right side elevation view.

1 Claim, 5 Drawing Sheets



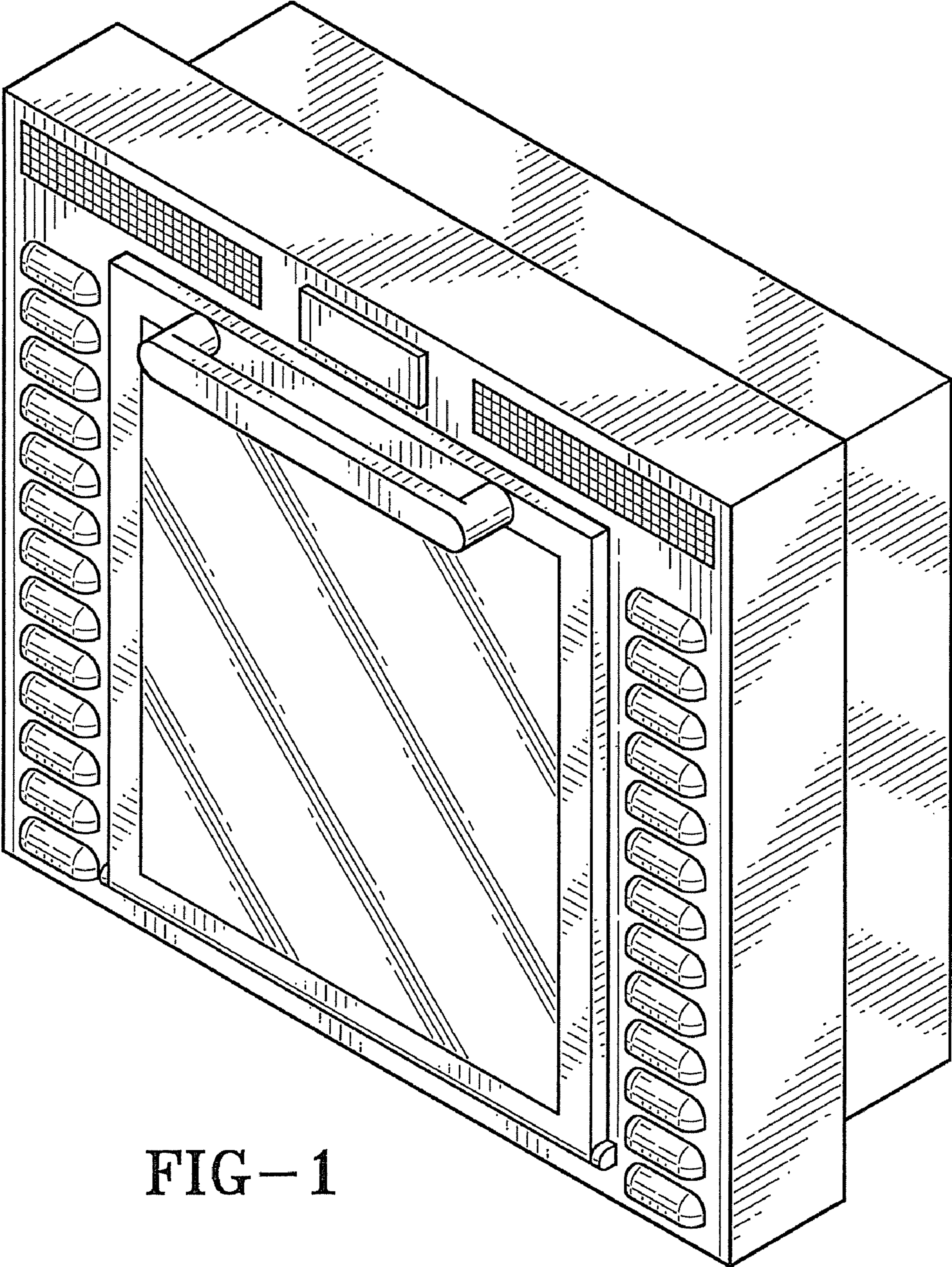


FIG-1

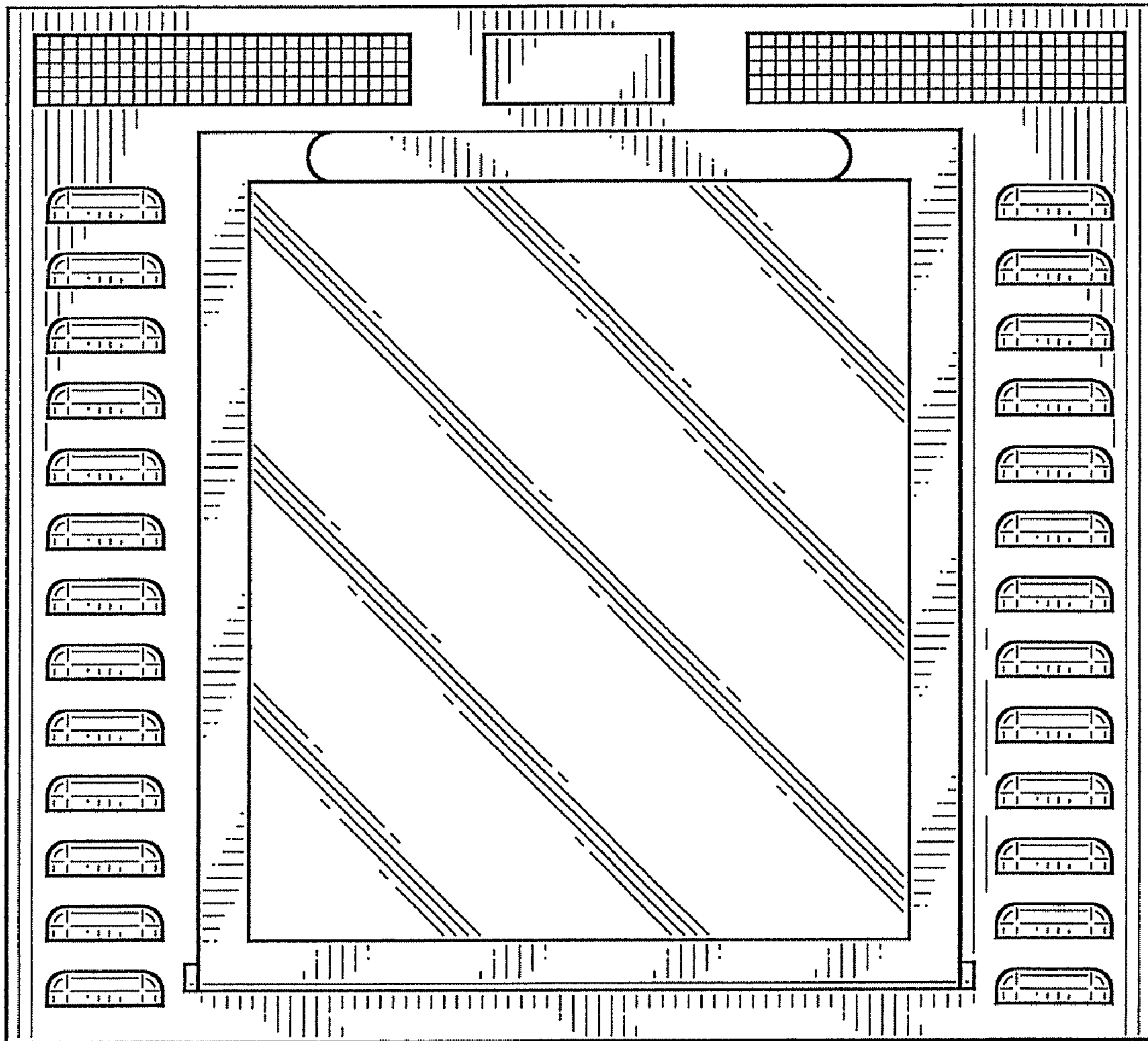


FIG-2

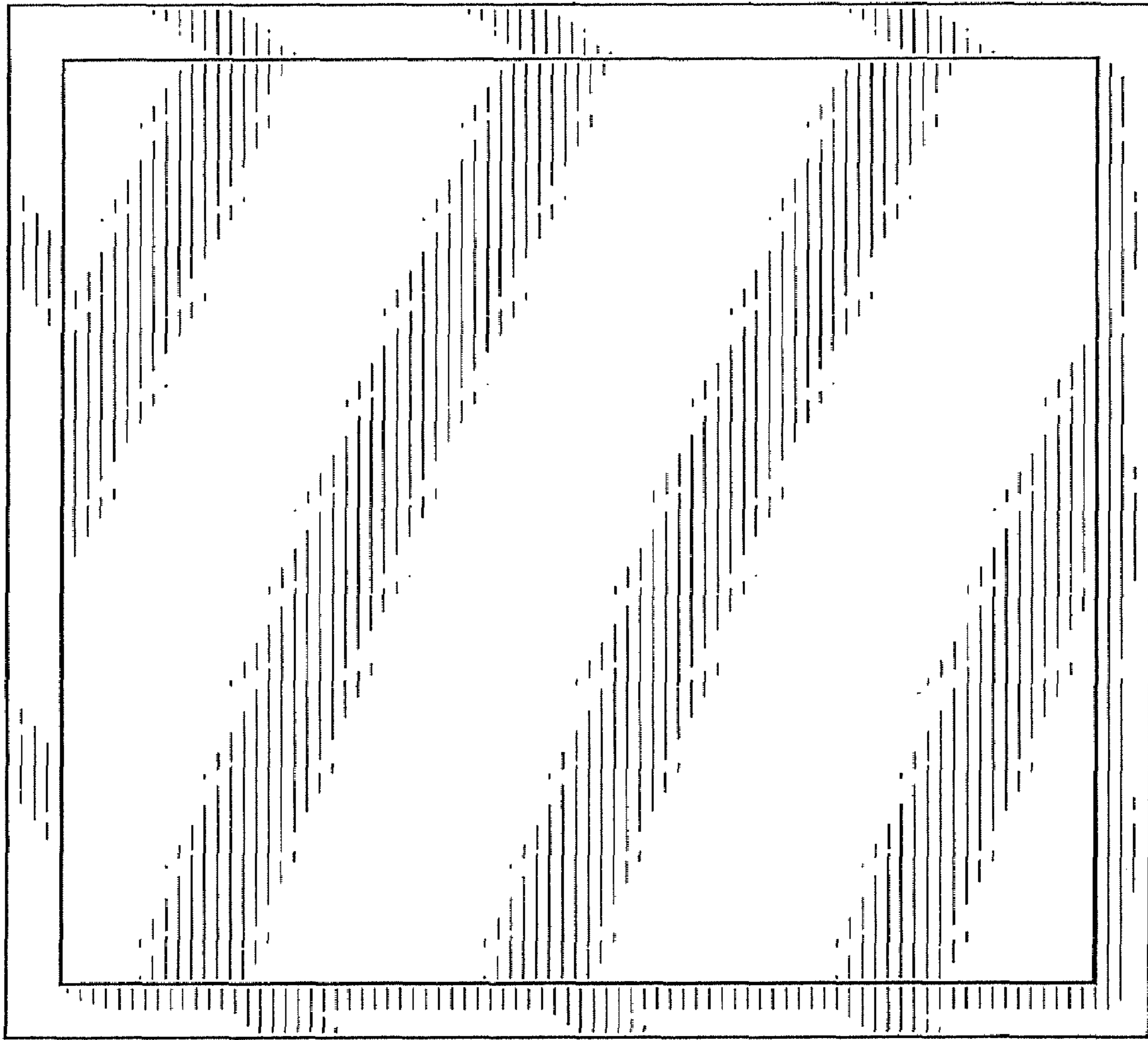


FIG-3

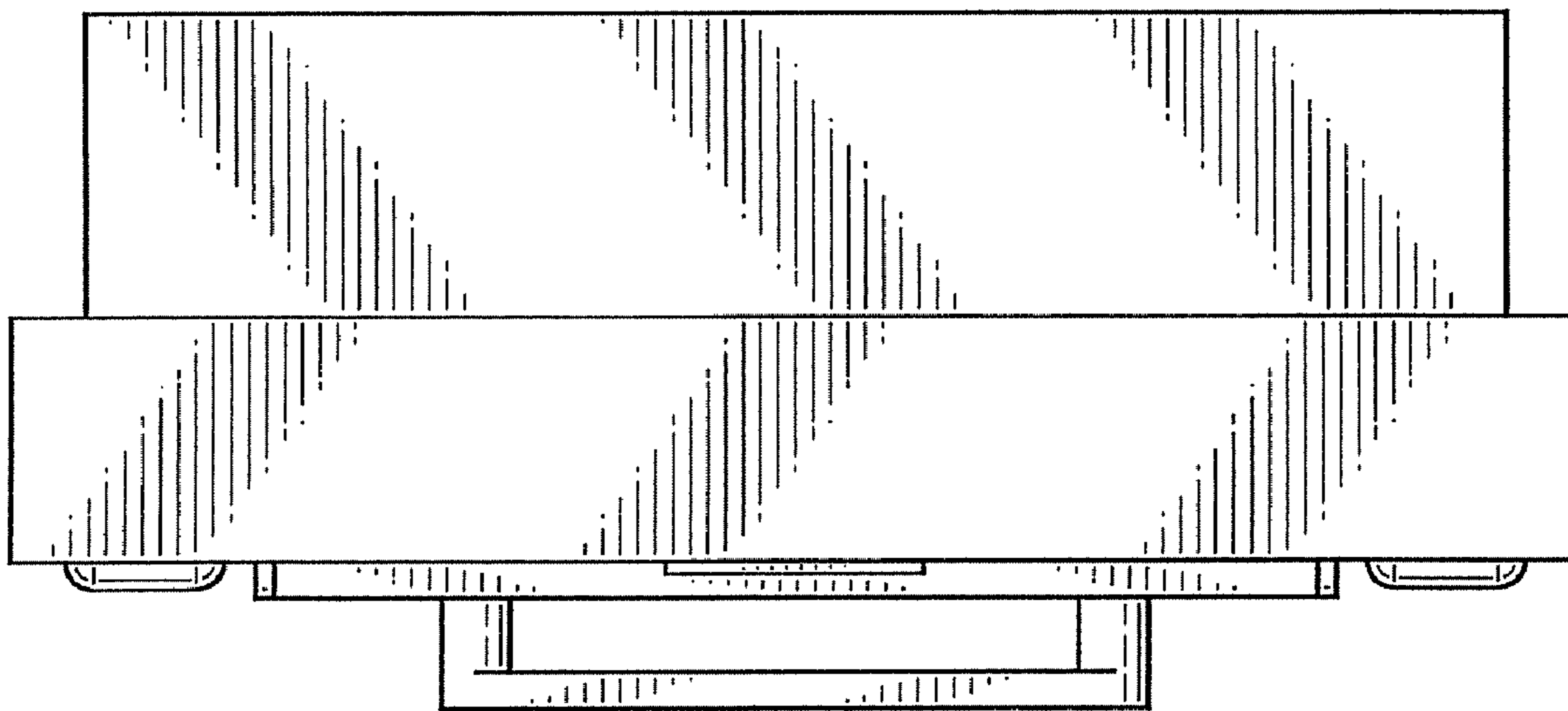


FIG-4

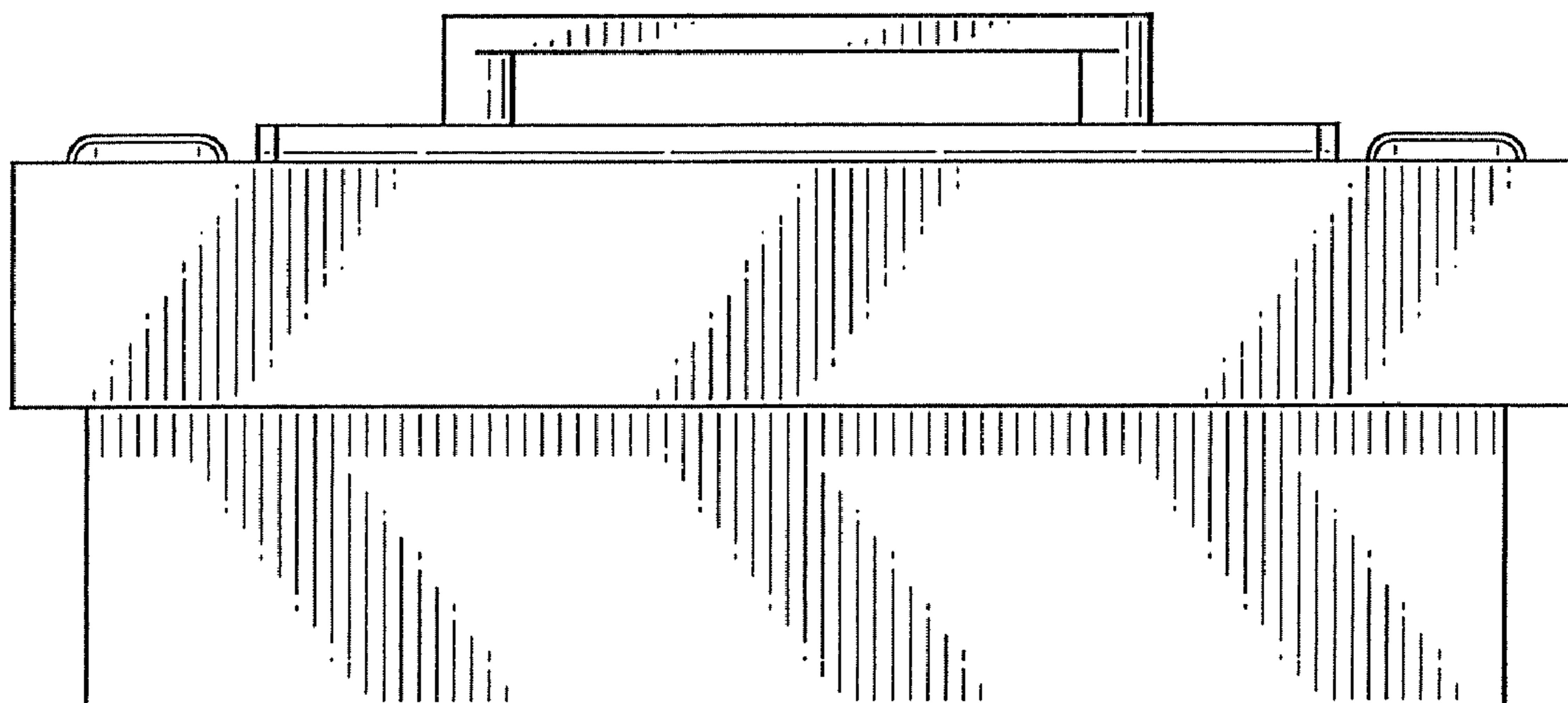


FIG-5

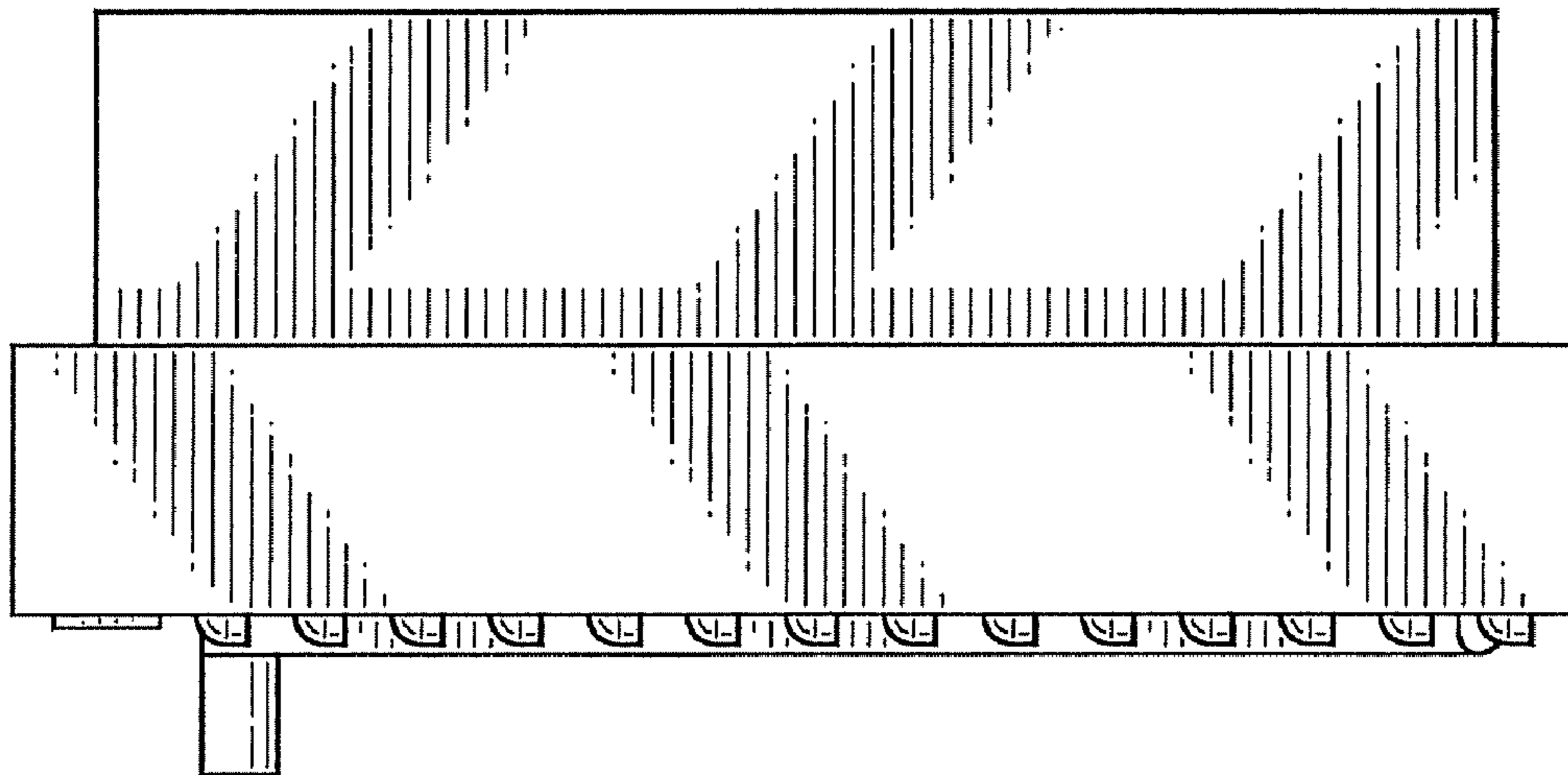


FIG-7

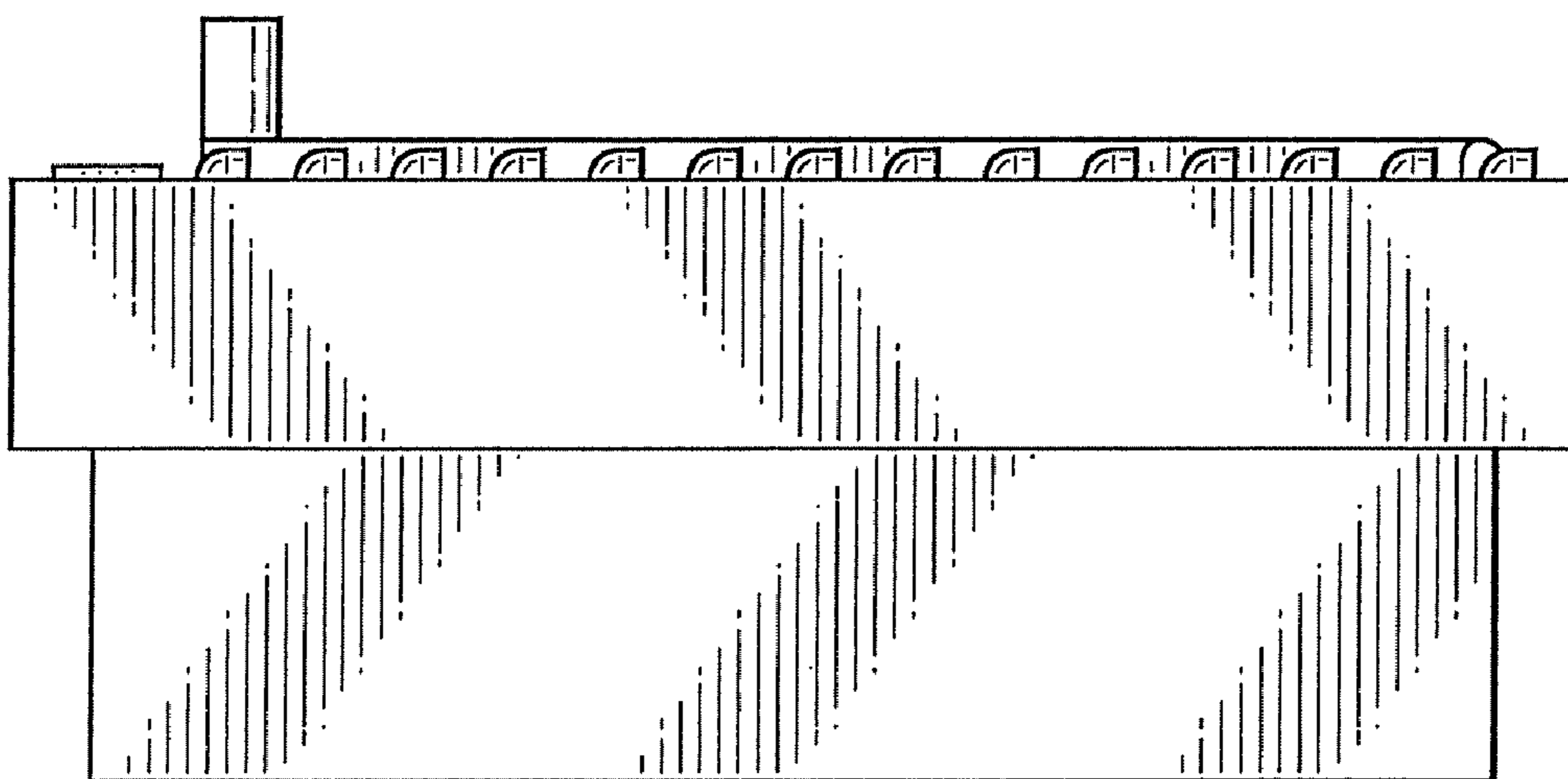


FIG-6