



US00D614751S

(12) **United States Design Patent**
Ogawa

(10) **Patent No.:** **US D614,751 S**
(45) **Date of Patent:** **** Apr. 27, 2010**

(54) **PORTION OF TOILET**

(75) Inventor: **Hirohisa Ogawa**, Zushi (JP)

(73) Assignee: **Goshigaisha Ogawa Kokusan Shoten**
(JP)

(**) Term: **14 Years**

(21) Appl. No.: **29/331,678**

(22) Filed: **Jan. 30, 2009**

(51) **LOC (9) Cl.** **23-02**

(52) **U.S. Cl.** **D23/295**

(58) **Field of Classification Search** D23/273-274,
D23/295-301, 309; 4/663-664, 300, 329,
4/353, 420, 443, 449, 902

See application file for complete search history.

(56) **References Cited**

U.S. PATENT DOCUMENTS

D586,896 S * 2/2009 Toyohara D23/301

D594,535 S * 6/2009 Bucher D23/301

* cited by examiner

Primary Examiner—Robert A Delehanty

(74) *Attorney, Agent, or Firm*—Banner & Witcoff, Ltd.

(57) **CLAIM**

The ornamental design for a portion of toilet, as shown and described.

DESCRIPTION

FIG. 1 is a front perspective view of a portion of toilet, showing my new design;

FIG. 2 is a front perspective view thereof with the cover in an opened state;

FIG. 3 is a front perspective view thereof with the cover and a toilet seat in an opened state;

FIG. 4 is a front elevational view thereof;

FIG. 5 is a rear elevational view thereof;

FIG. 6 is a top plan view thereof;

FIG. 7 is a bottom plan view thereof;

FIG. 8 is a right side elevational view thereof;

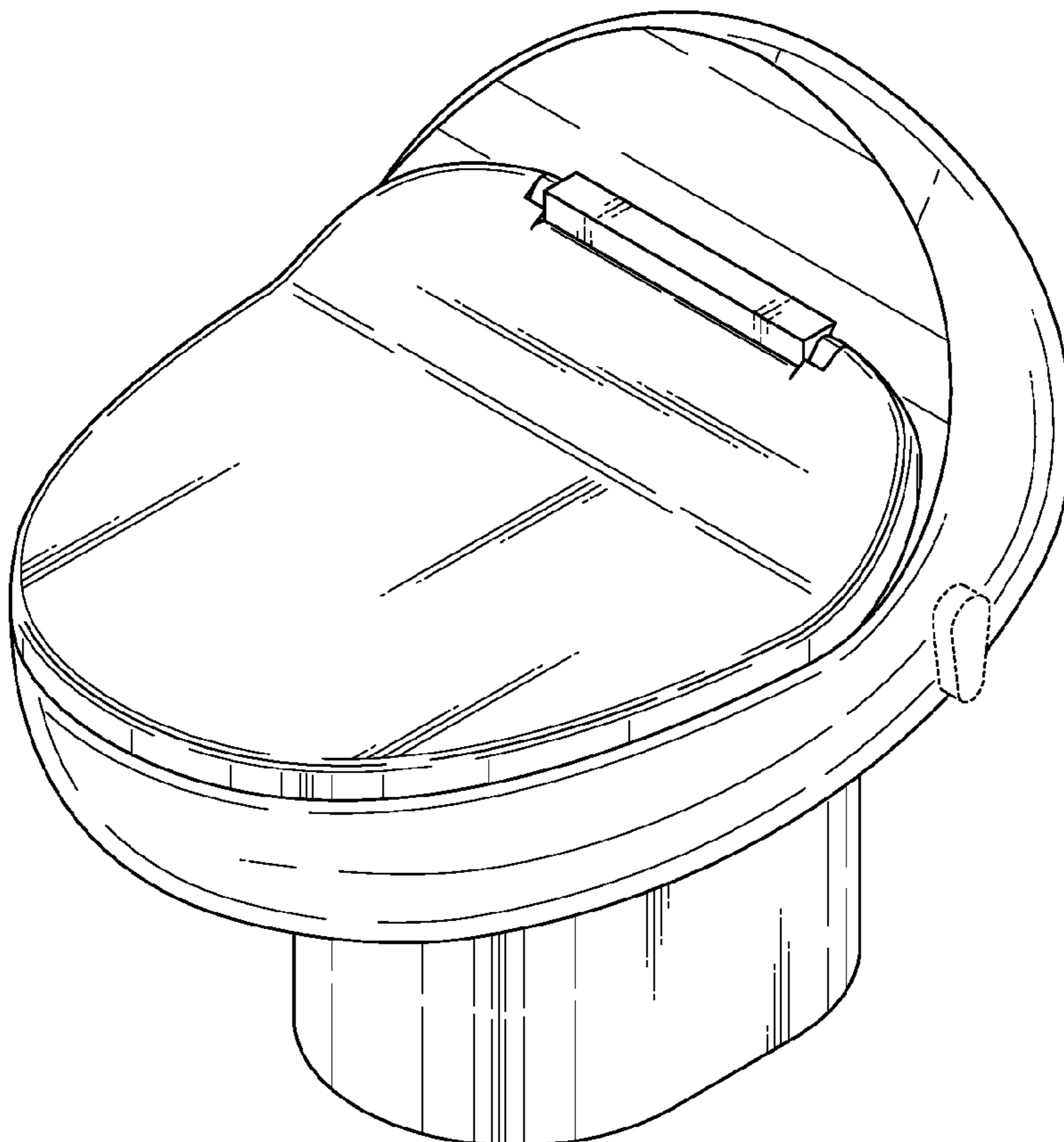
FIG. 9 is a left side elevational view thereof;

FIG. 10 is a top plan view thereof with the cover in an opened state; and,

FIG. 11 is a right side elevational view thereof with the cover and the toilet seat in an opened state.

The broken lines showing of the remainder of the toilet is for illustrative purposes only and forms no part of the claimed design.

1 Claim, 11 Drawing Sheets



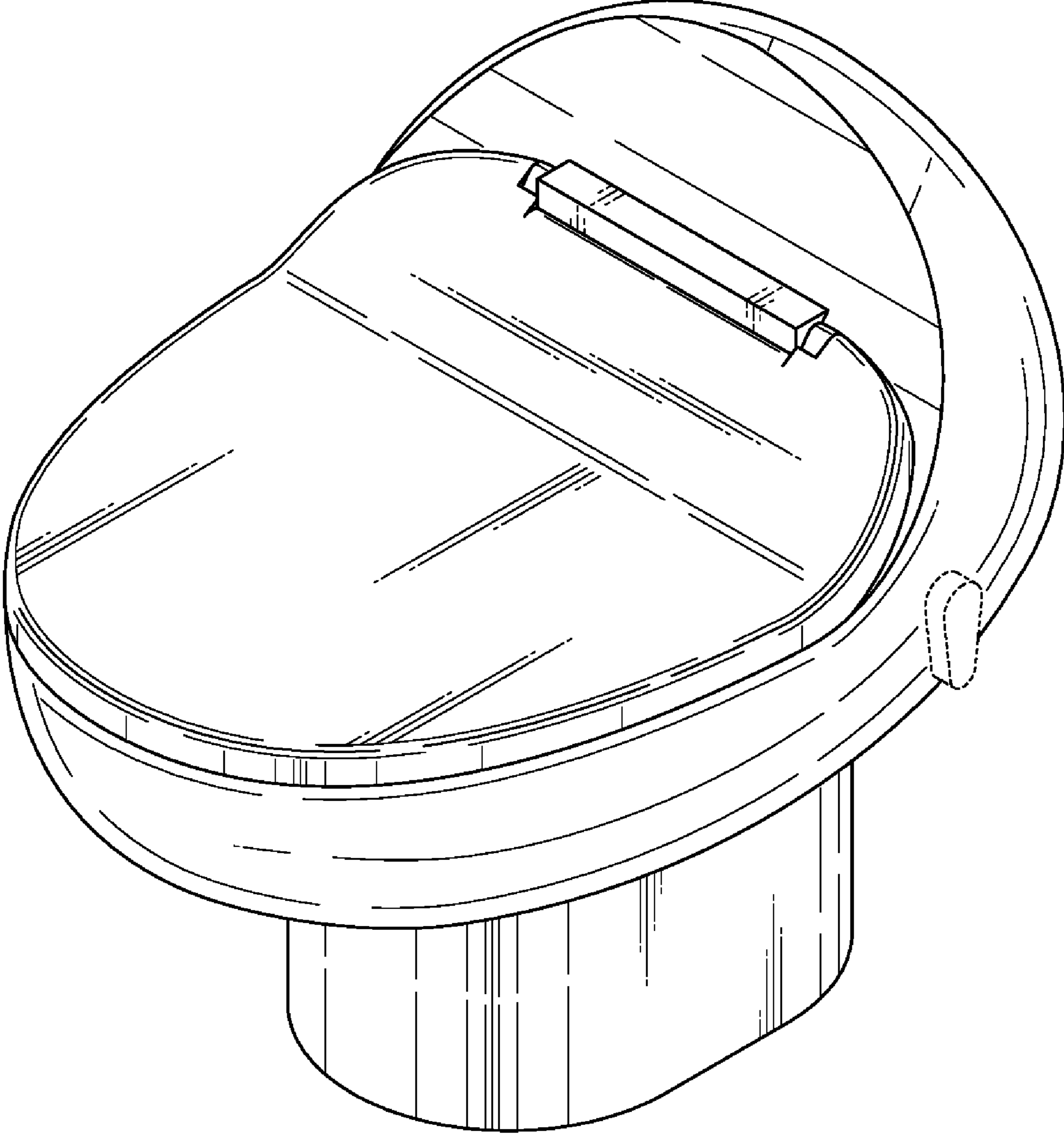


FIG. 1

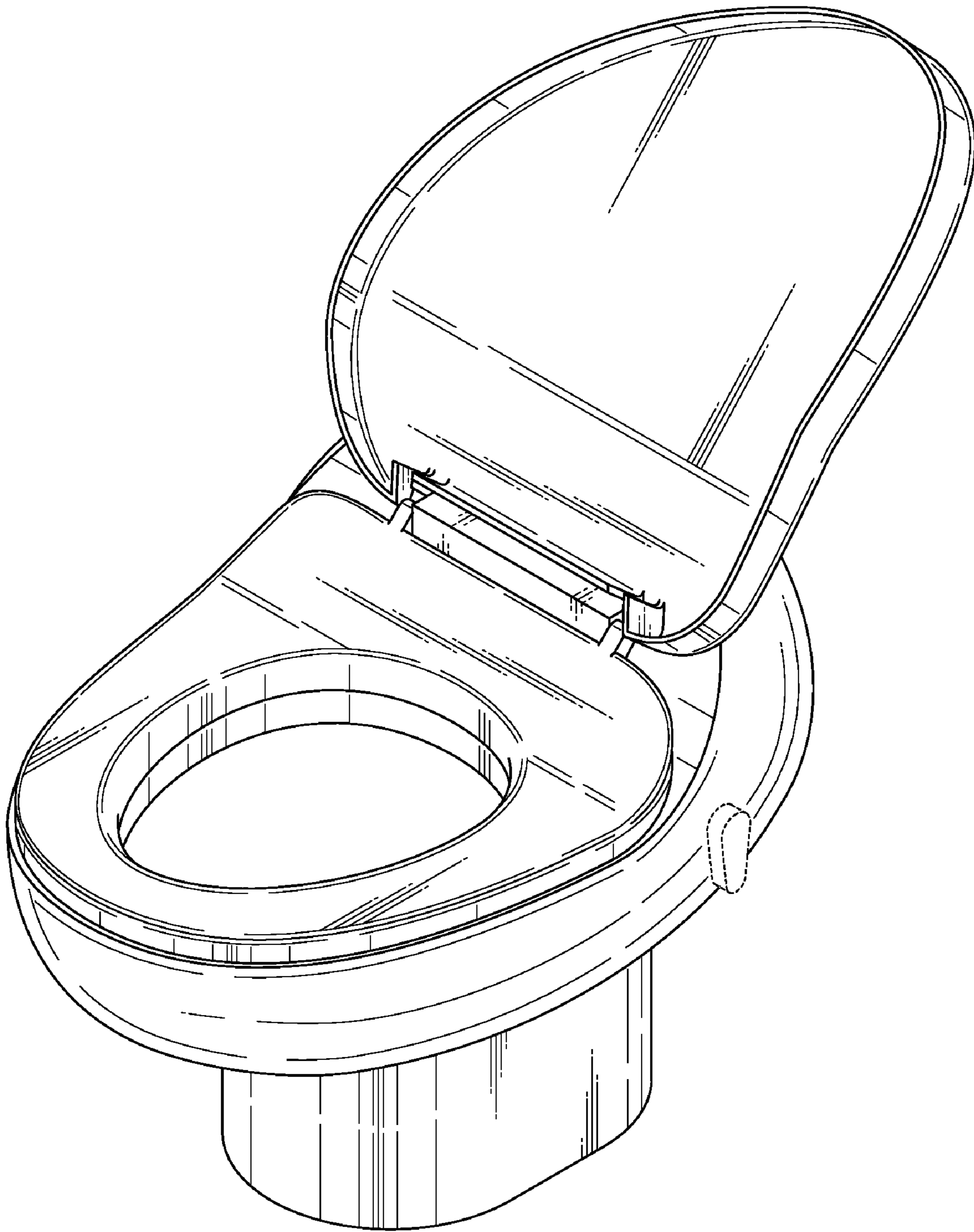


FIG.2

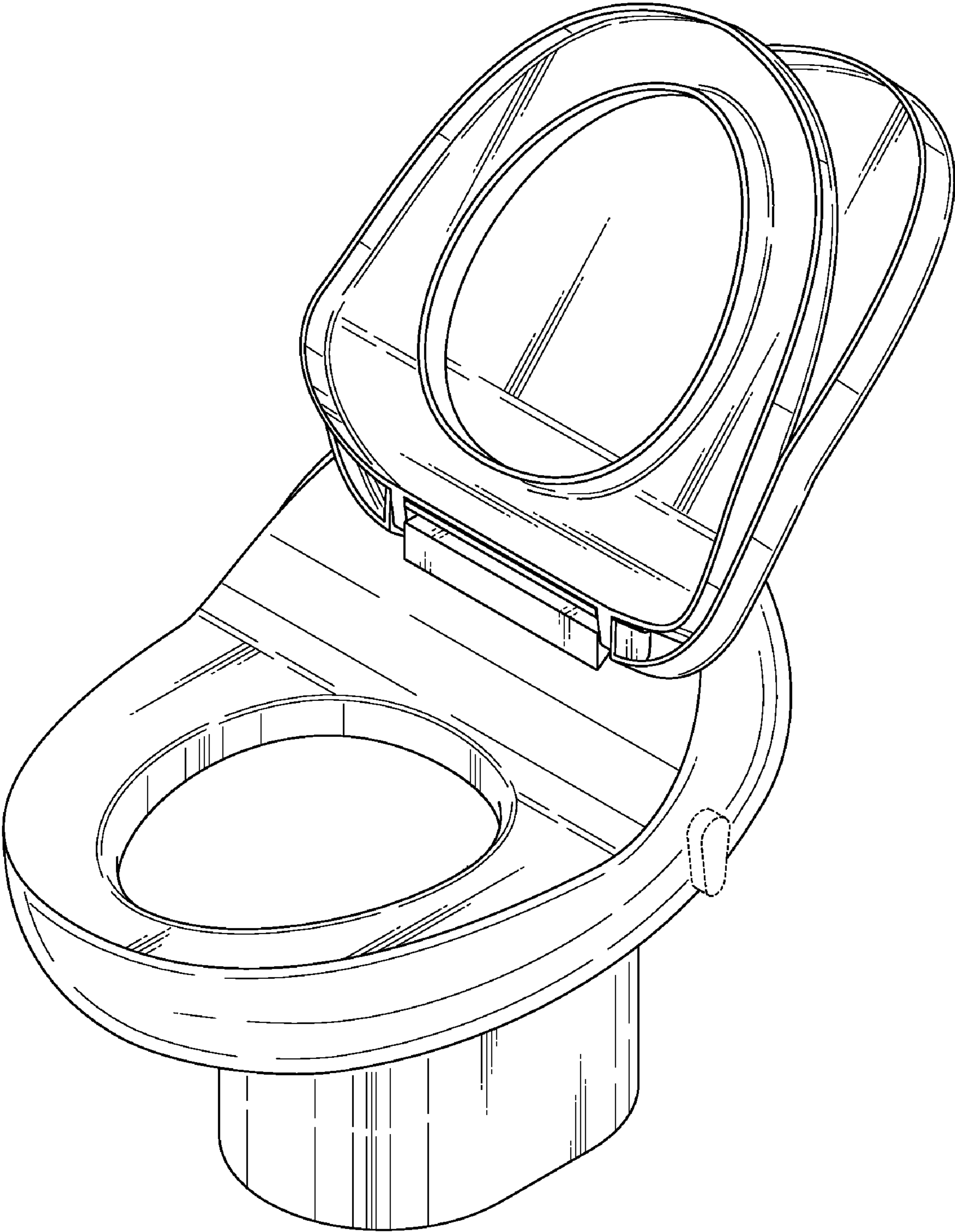


FIG.3

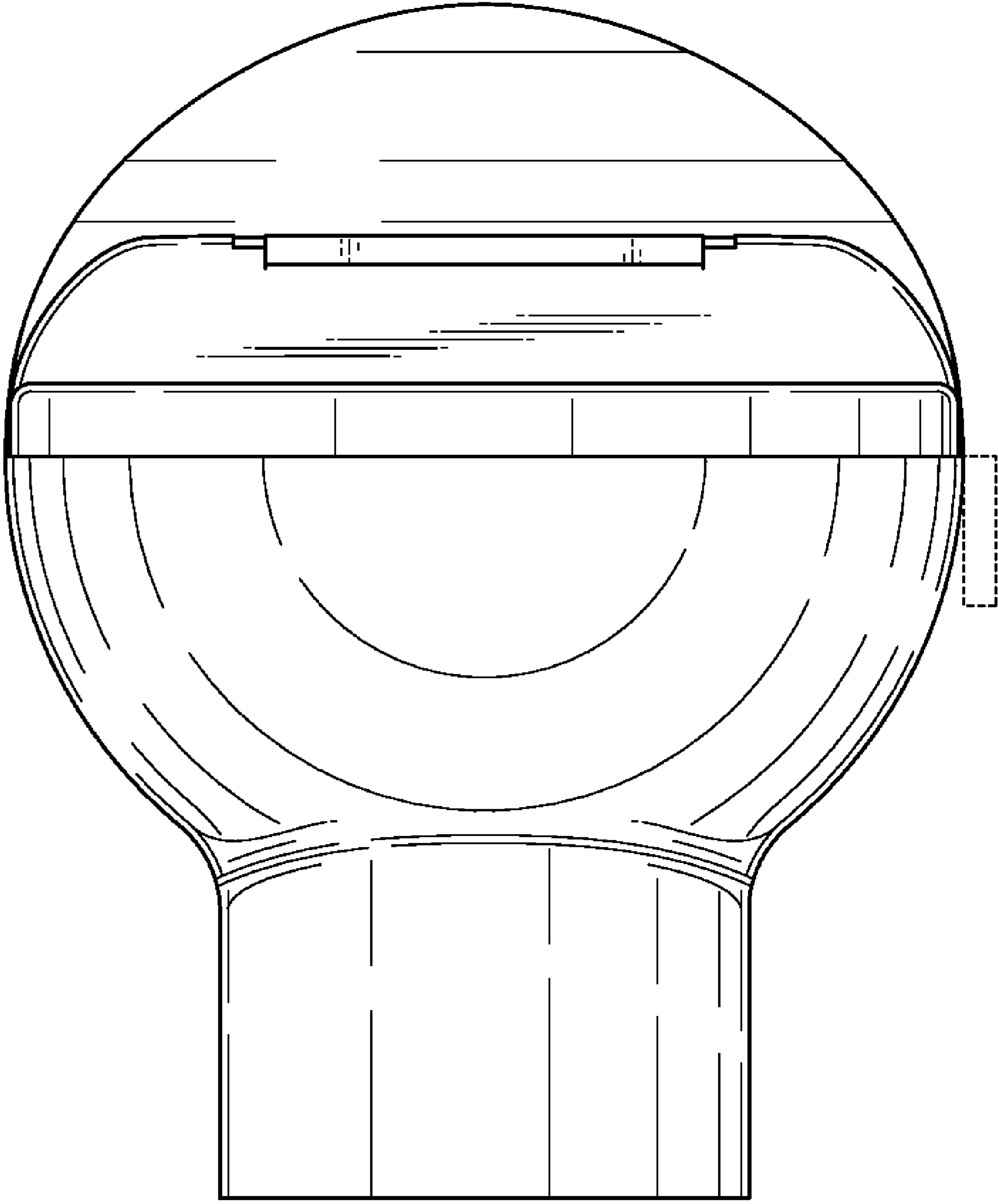


FIG.4

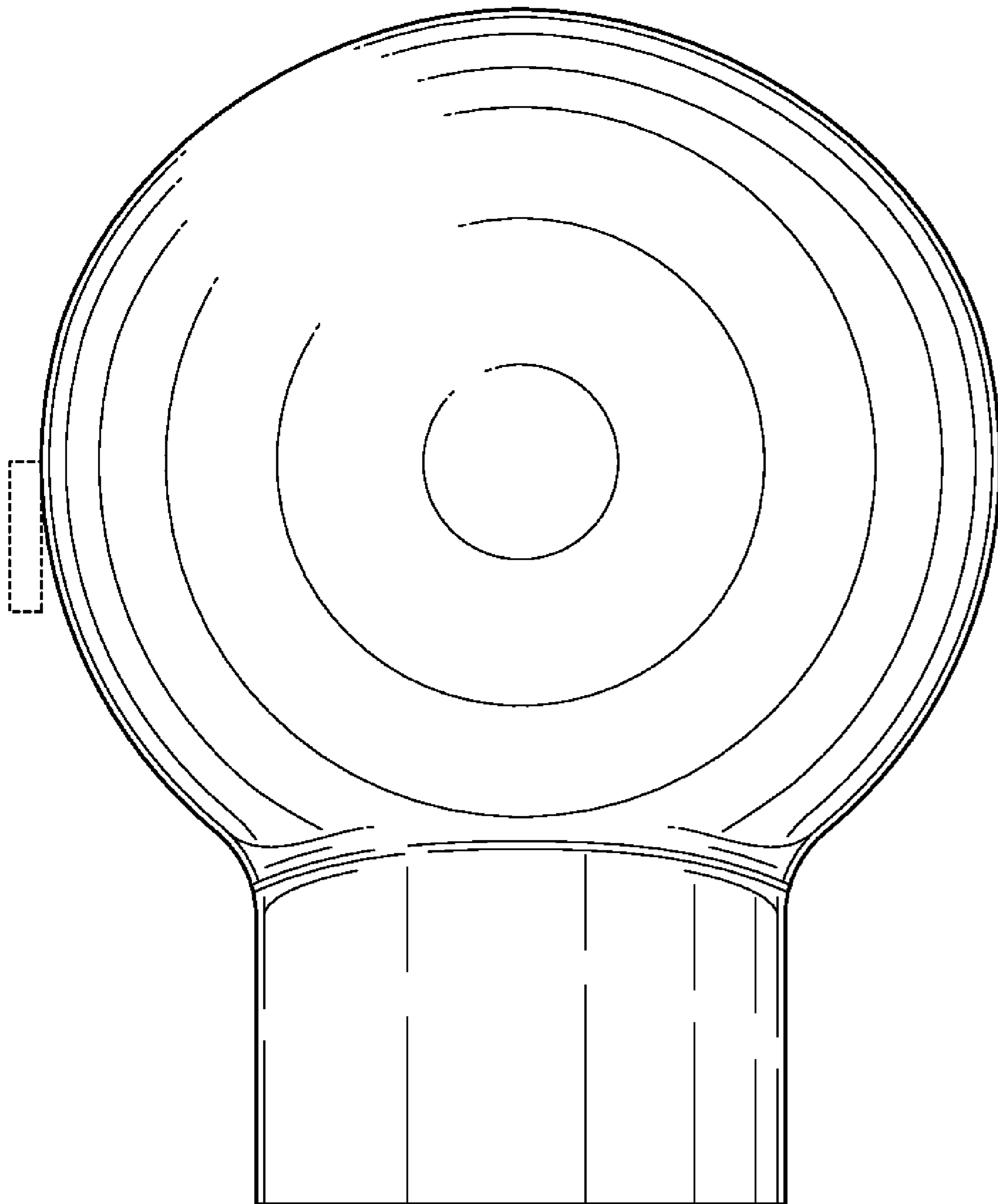


FIG. 5

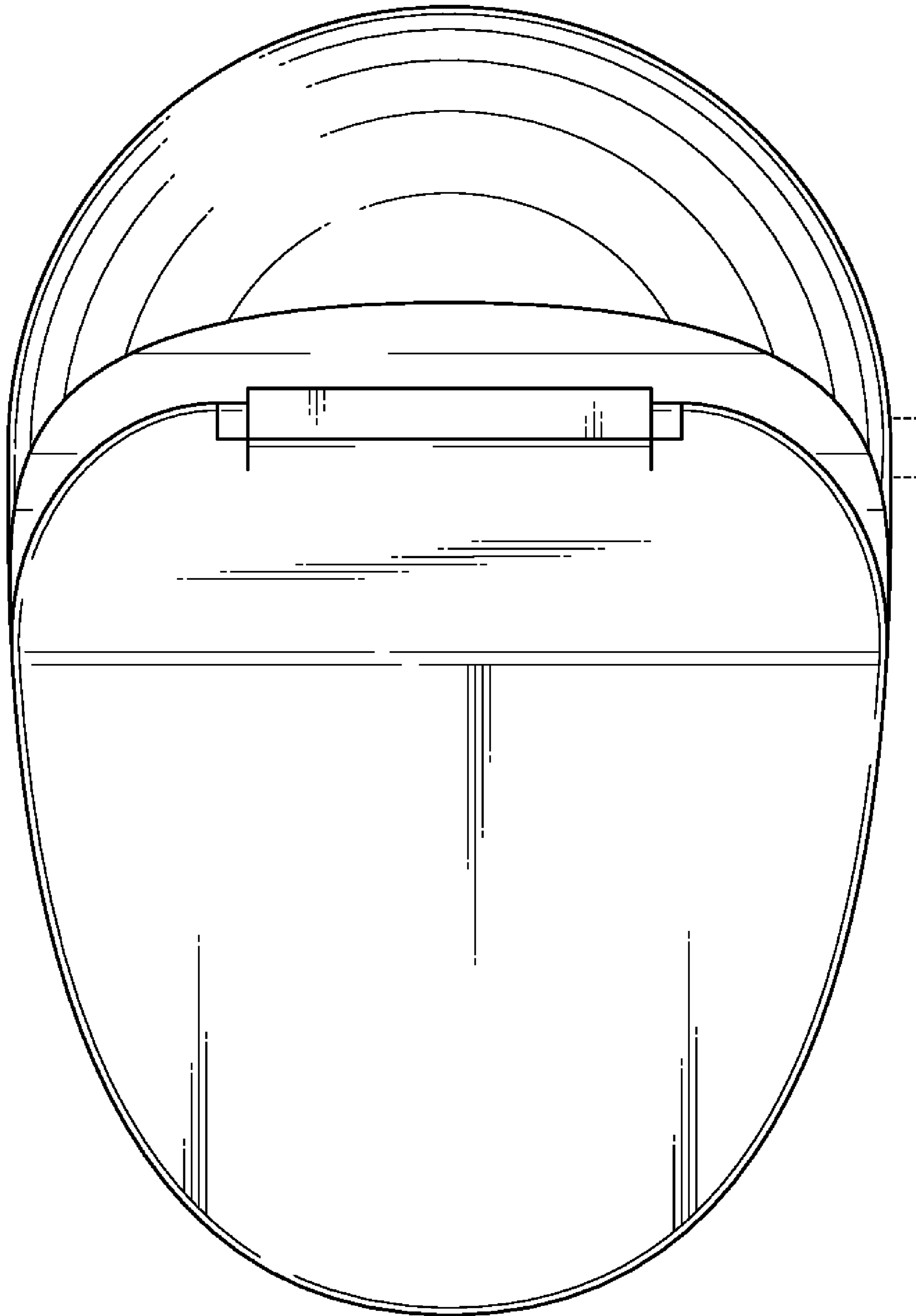


FIG.6

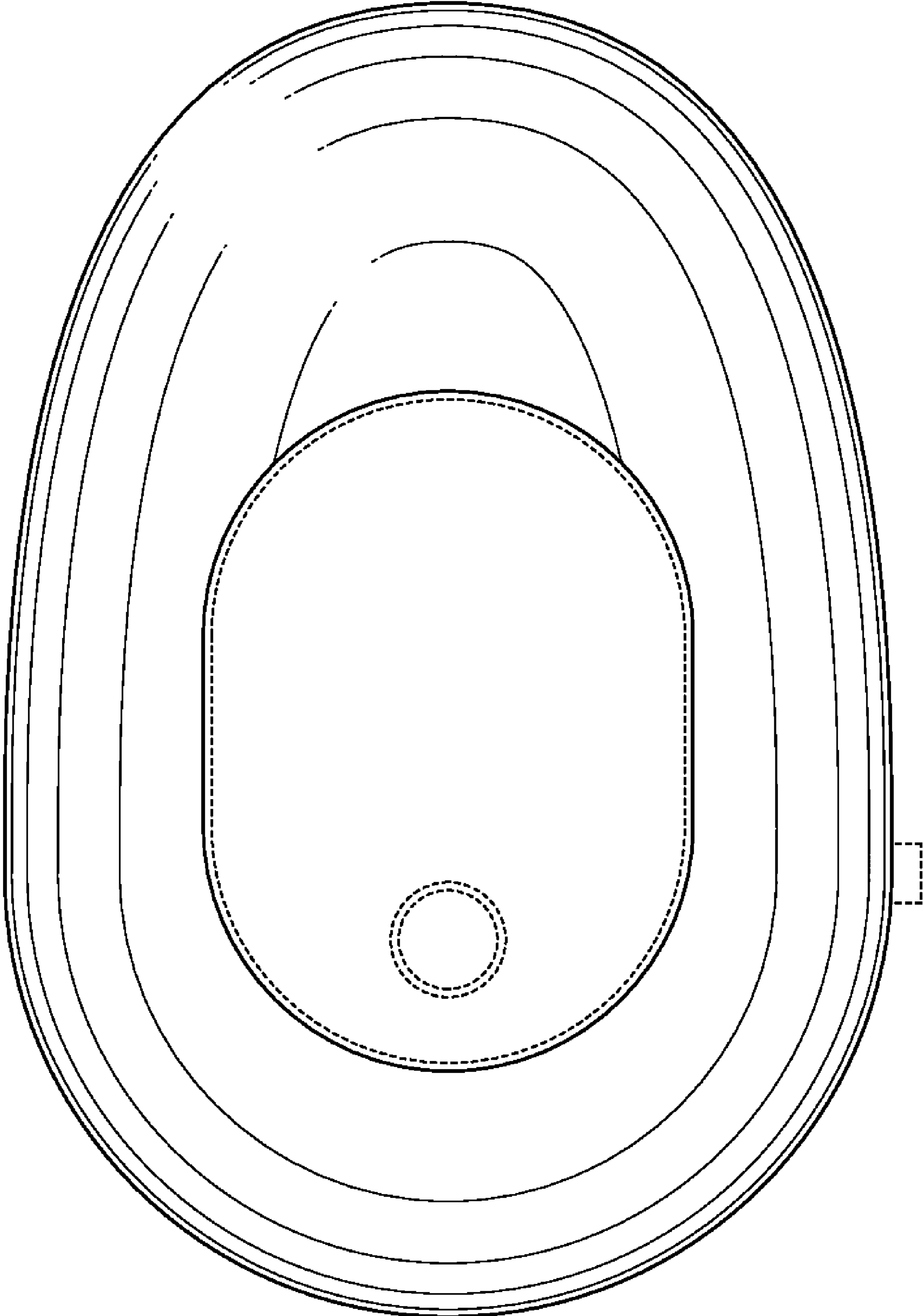


FIG. 7

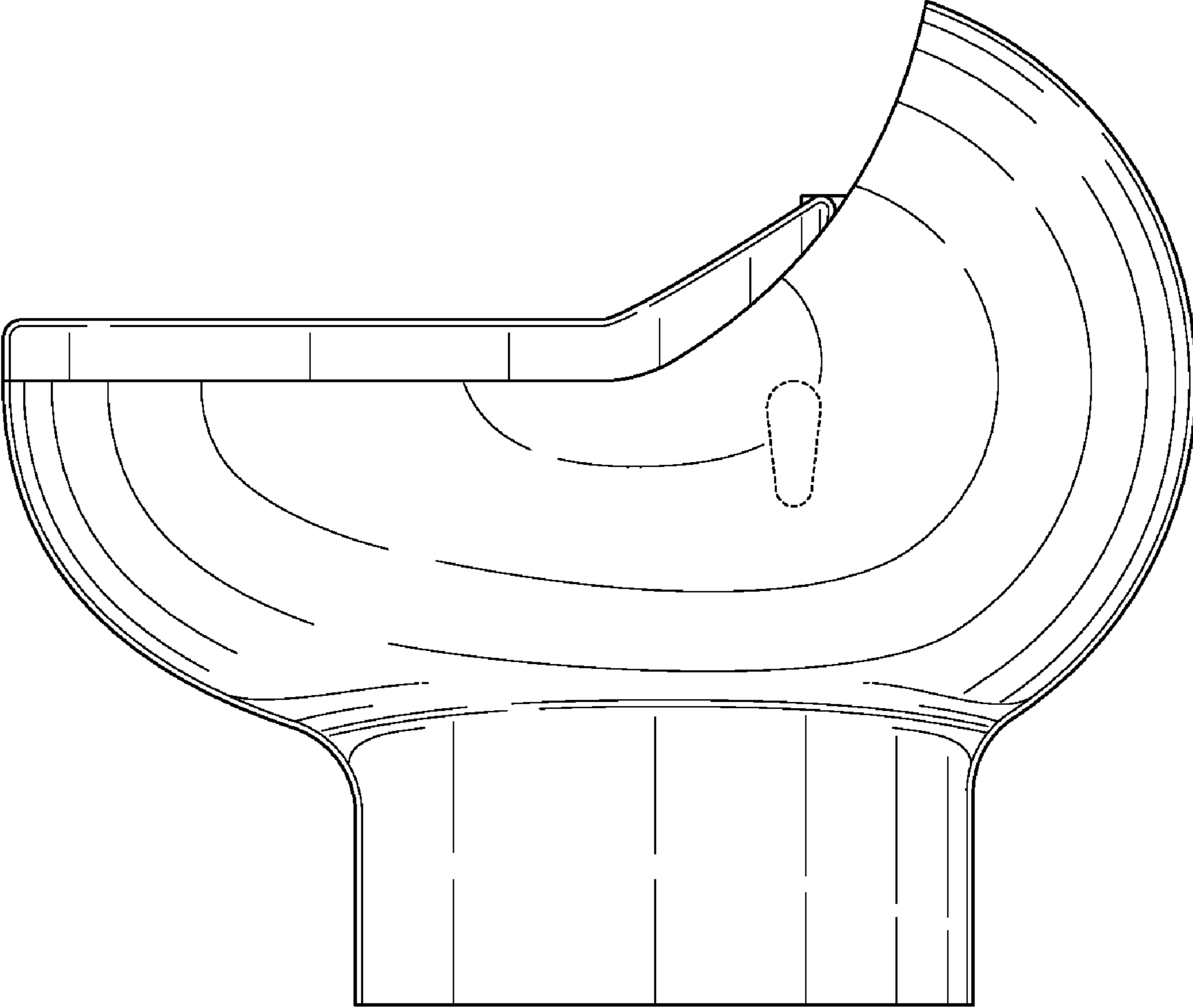


FIG.8

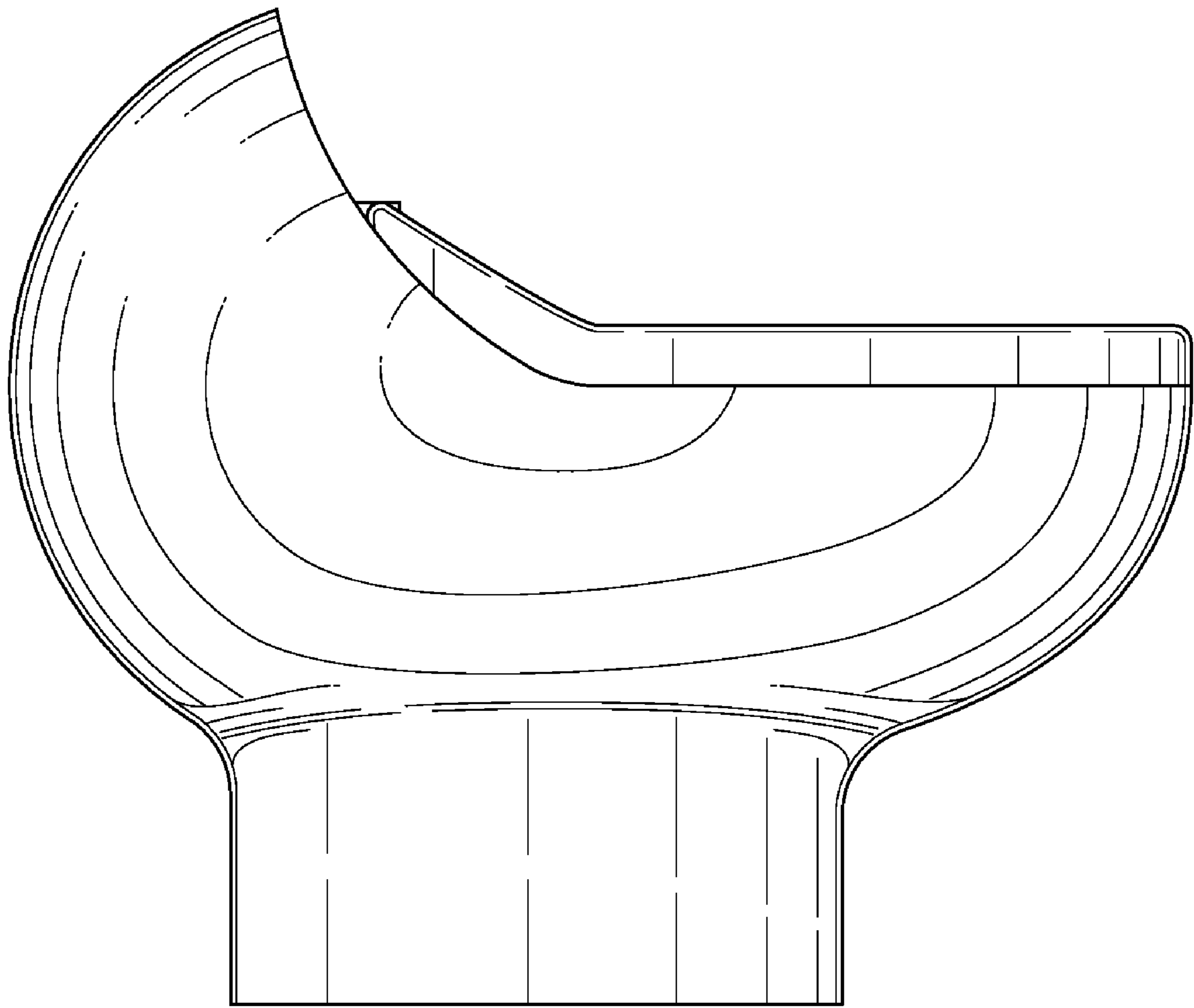


FIG.9

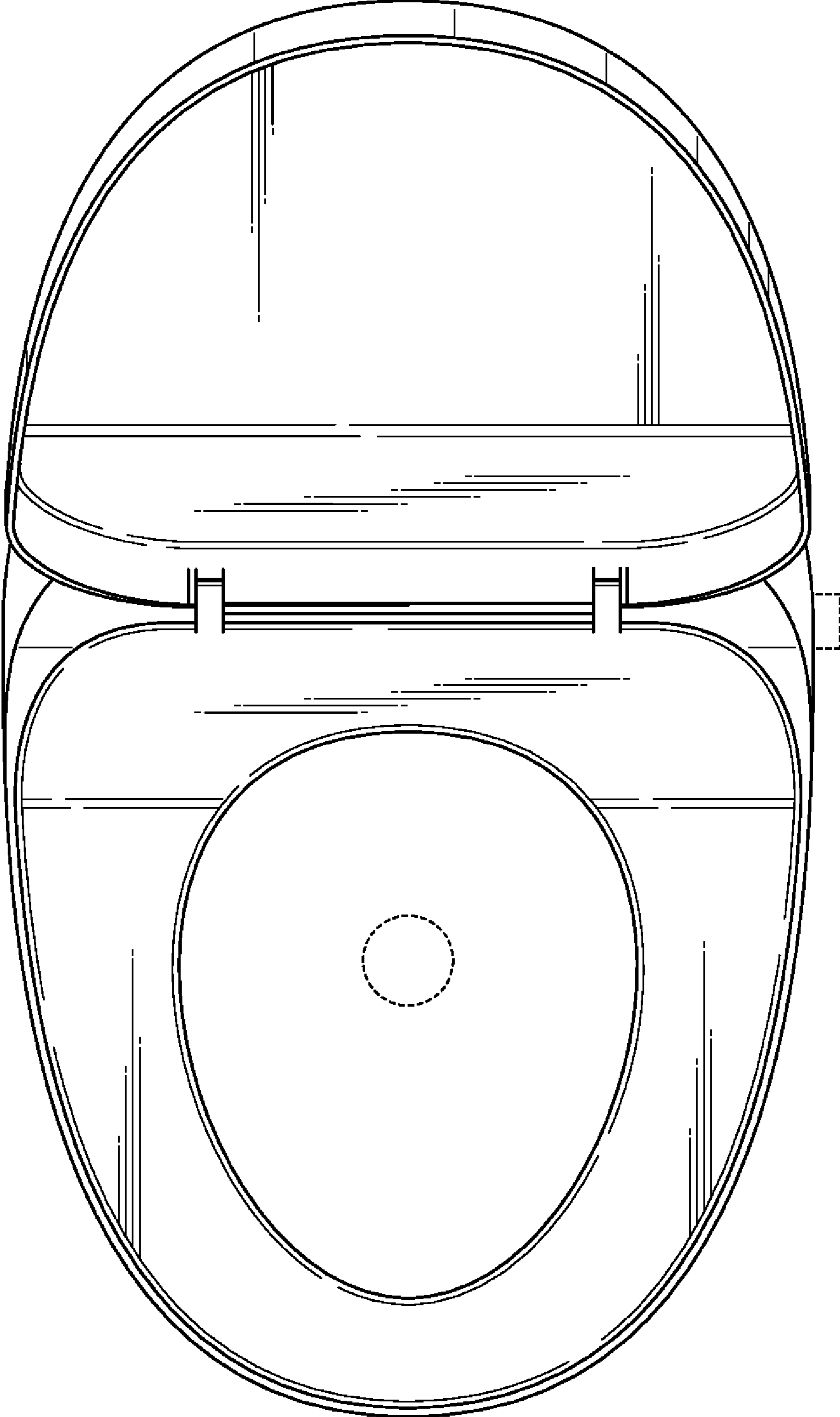


FIG. 10

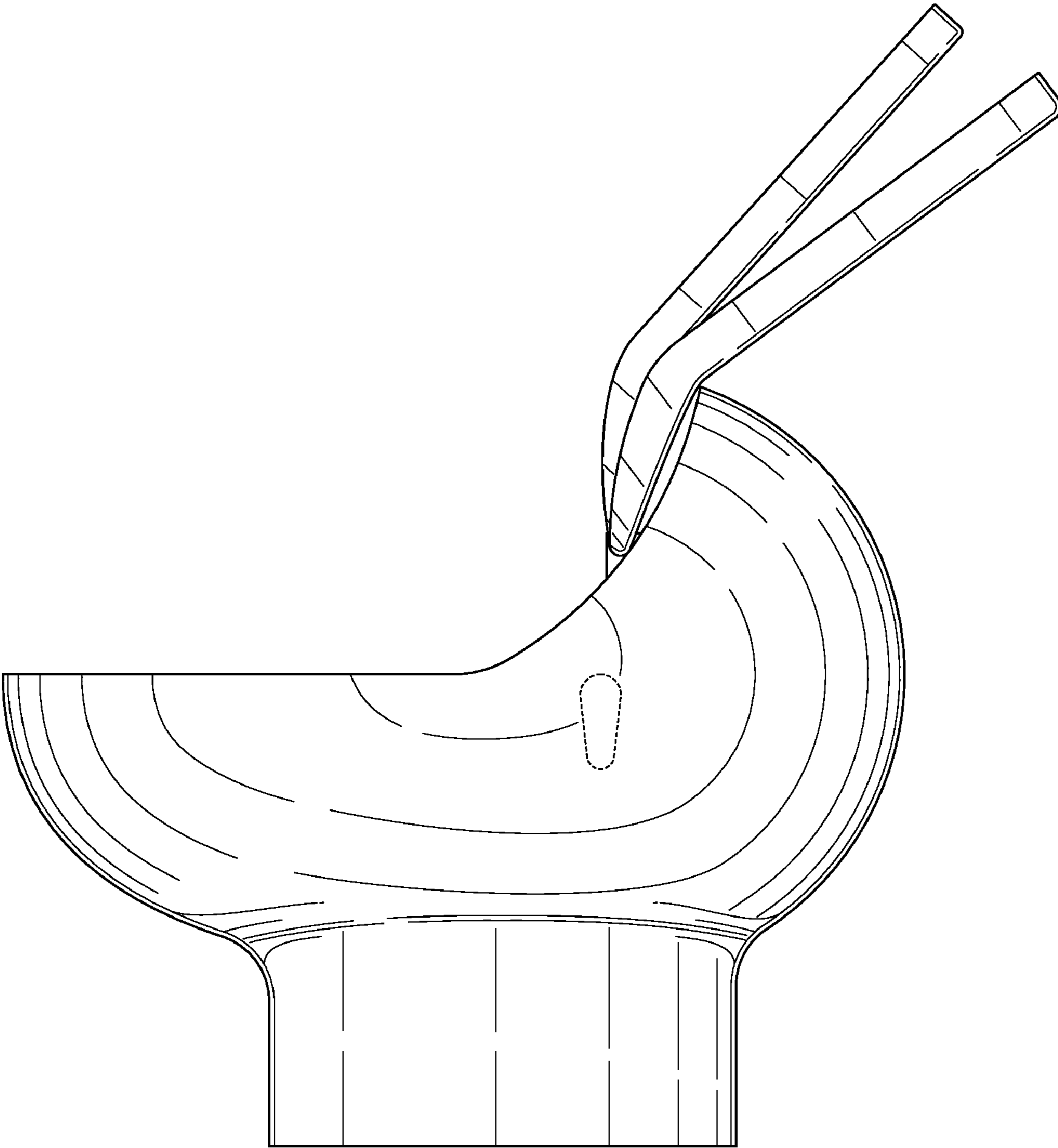


FIG.11