



US00D614739S

(12) **United States Design Patent**
Hoernig et al.

(10) **Patent No.:** **US D614,739 S**
(45) **Date of Patent:** **** Apr. 27, 2010**

(54) **SHOWER SYSTEM**

(75) Inventors: **Victor Hoernig**, Lowell, IN (US);
Geraint Krumpe, Chicago, IL (US);
Emilie Williams, Chicago, IL (US)

(73) Assignee: **Masco Bath Corporation**, Moorestown,
NJ (US)

(**) Term: **14 Years**

(21) Appl. No.: **29/341,765**

(22) Filed: **Aug. 12, 2009**

(51) **LOC (9) Cl.** **23-02**

(52) **U.S. Cl.** **D23/283**

(58) **Field of Classification Search** D23/275–277,
D23/280.1–280.2, 283, 304–306, 273, 303;
4/548, 552, 555, 576.1, 577.1, 578.1, 596,
4/614, 663, 538

See application file for complete search history.

(56) **References Cited**

U.S. PATENT DOCUMENTS

1,076,808 A	10/1913	Arburg	
1,197,657 A	9/1916	Orofino	
1,781,325 A	11/1930	Dowling	
2,048,909 A	7/1936	Woodworth	
2,052,629 A	9/1936	Hodgson	
2,237,076 A	4/1941	Kenney et al.	
2,529,568 A	11/1950	O'Hara	
2,678,083 A	5/1954	Dall et al.	
3,334,358 A	8/1967	McPherson	
3,443,266 A	5/1969	Mongerson et al.	
D226,853 S	5/1973	Korol	
3,845,600 A *	11/1974	Moore	4/538
3,967,323 A	7/1976	Serio	
4,168,549 A	9/1979	Davies	
4,384,376 A	5/1983	Shrode	
4,400,835 A	8/1983	Richter	
4,495,666 A	1/1985	Herman, Jr.	
4,541,131 A	9/1985	Sussman	
4,646,491 A	3/1987	Munch	
4,680,817 A	7/1987	Sloan et al.	

4,876,751 A	10/1989	Van Meter	
4,897,889 A	2/1990	Baus	
4,905,327 A	3/1990	Boublil	
5,056,169 A	10/1991	Roguebrune	
5,185,892 A	2/1993	Mitchell	
D345,783 S *	4/1994	Kohler, Jr.	D23/275
5,446,929 A	9/1995	Sills et al.	
5,463,780 A	11/1995	McAllister et al.	
D380,528 S	7/1997	D'Andrea	
D383,198 S	9/1997	Jacuzzi et al.	

(Continued)

FOREIGN PATENT DOCUMENTS

WO WO2006/015435 A1 2/2006

Primary Examiner—Robert A Delehanty
(74) *Attorney, Agent, or Firm*—Nirav D. Parikh; Edgar A. Zarins

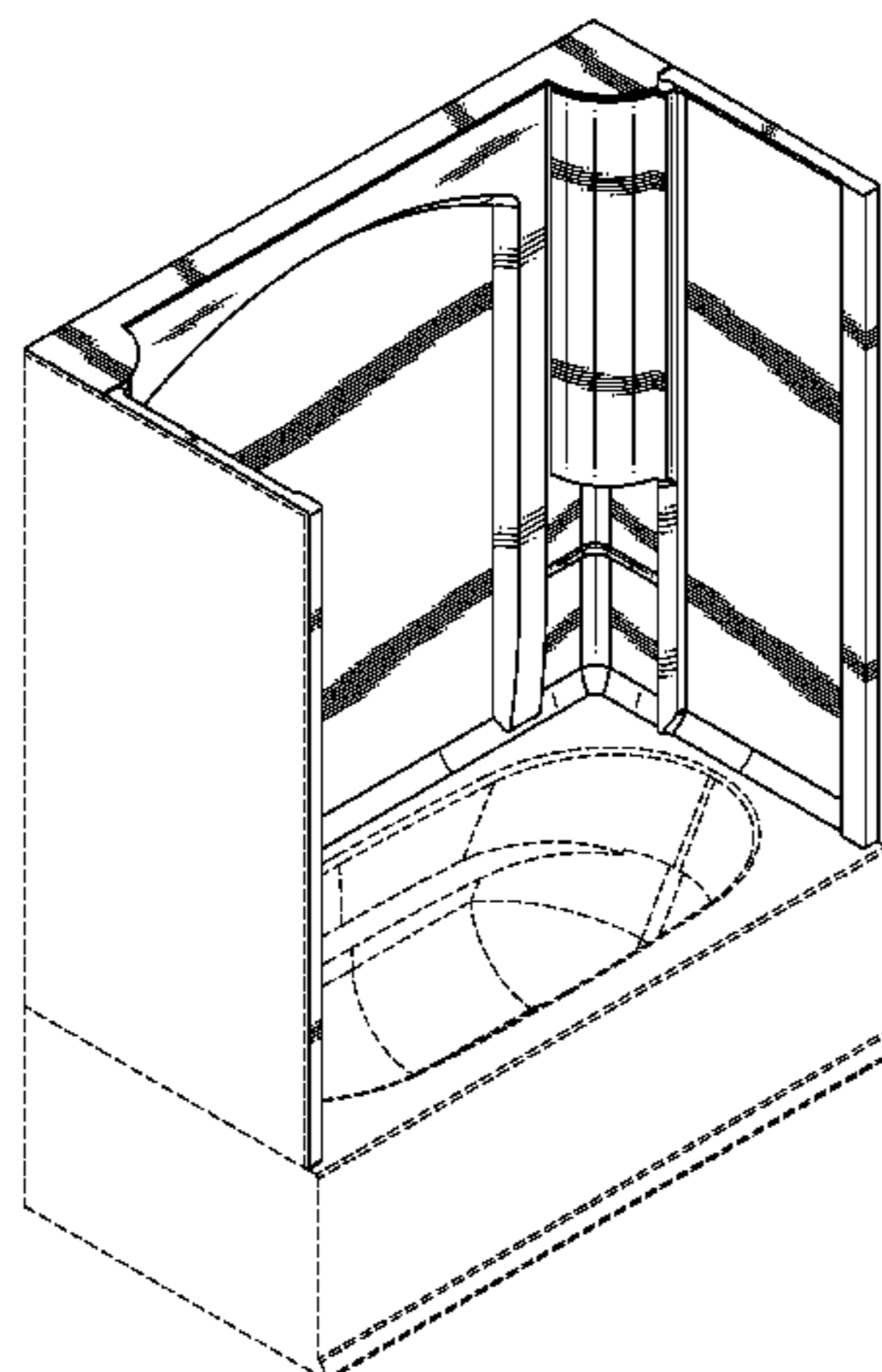
(57) **CLAIM**

The ornamental design for a shower system, as shown and described.

DESCRIPTION

FIG. 1 is a front/left side perspective view of a shower system; FIG. 2 is a front/right side perspective view of the shower system of FIG. 1; FIG. 3 is a front elevation view of the shower system of FIG. 1; and, FIG. 4 is a top plan view of the shower system of FIG. 1, the right side corner shower system shown in an open position. The broken lines are for illustrative purposes only and form no part of the claimed design.

1 Claim, 3 Drawing Sheets



US D614,739 S

Page 2

U.S. PATENT DOCUMENTS		
5,671,489	A	9/1997 Salach
5,720,056	A	2/1998 Aymes
D405,517	S	2/1999 Eeckhoudt
6,088,847	A	7/2000 Burrow
6,094,757	A	8/2000 Torres
6,109,189	A	8/2000 Tarver
6,226,810	B1	5/2001 Weddendorf et al.
D444,866	S	7/2001 Paredes
6,360,380	B1	3/2002 Swart et al.
6,408,456	B1	6/2002 Fike et al.
6,618,871	B2	9/2003 Kopacz et al.
6,643,861	B2	11/2003 Sherlock et al.
6,807,689	B1	10/2004 Royko et al.
6,893,704	B1	5/2005 van der Loo
6,912,740	B2	7/2005 Fainberg
6,915,535	B2	7/2005 Sieger et al.
6,938,868	B2	9/2005 Pence
7,007,315	B2	3/2006 Stonecipher
D522,636	S	6/2006 Lanius
D527,084	S	8/2006 Helmetsie
7,121,620	B1	10/2006 Fang
7,155,757	B1	1/2007 Zamora, Jr.
D560,765	S	* 1/2008 Koury et al. D23/275
D561,307	S	2/2008 Breymaier et al.
D566,251	S	4/2008 Bates
D570,967	S	6/2008 Hood
D572,804	S	* 7/2008 Daikubara et al. D23/304
D572,805	S	7/2008 Daikubara et al.
D573,238	S	7/2008 Patterson et al.
7,392,551	B2	7/2008 Lanius
7,392,553	B2	7/2008 Uhl et al.
D578,185	S	10/2008 Biagi et al.
D578,186	S	* 10/2008 Biagi et al. D23/305
D578,187	S	10/2008 Biagi et al.
D578,623	S	10/2008 Biagi et al.
D578,624	S	10/2008 Biagi et al.
D580,026	S	11/2008 Biagi et al.
D588,237	S	3/2009 Patterson et al.
2005/0102746	A1	5/2005 Wright et al.
2005/0246830	A1	11/2005 Galyean, Jr. et al.
2006/0236452	A1	10/2006 Polimeno
2007/0067903	A1	3/2007 Hatrick-Smith
2007/0199263	A1	8/2007 Kern et al.
2008/0190048	A1	8/2008 Kitakado
2009/0100592	A1	4/2009 Biagi et al.

* cited by examiner

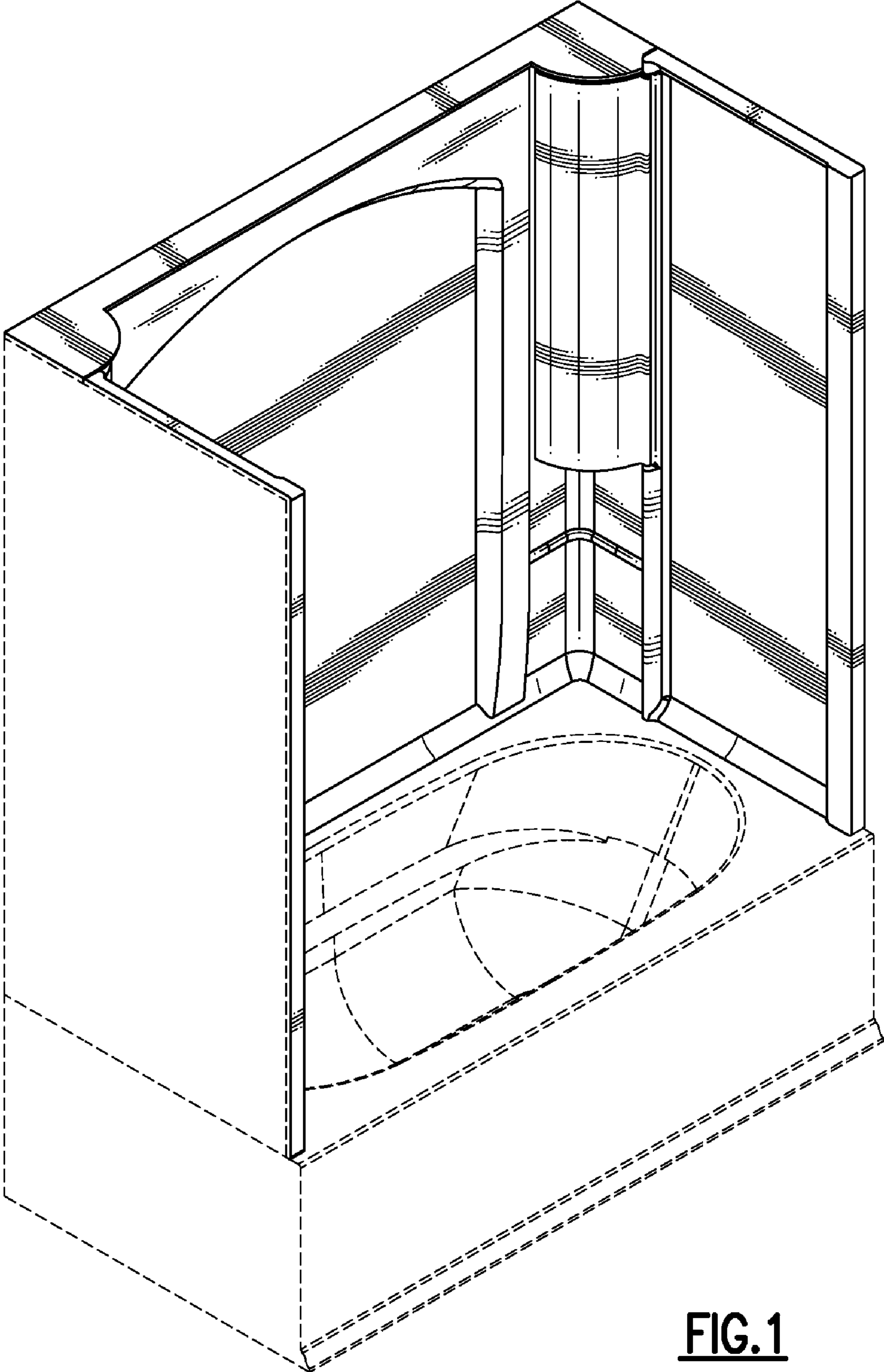


FIG. 1

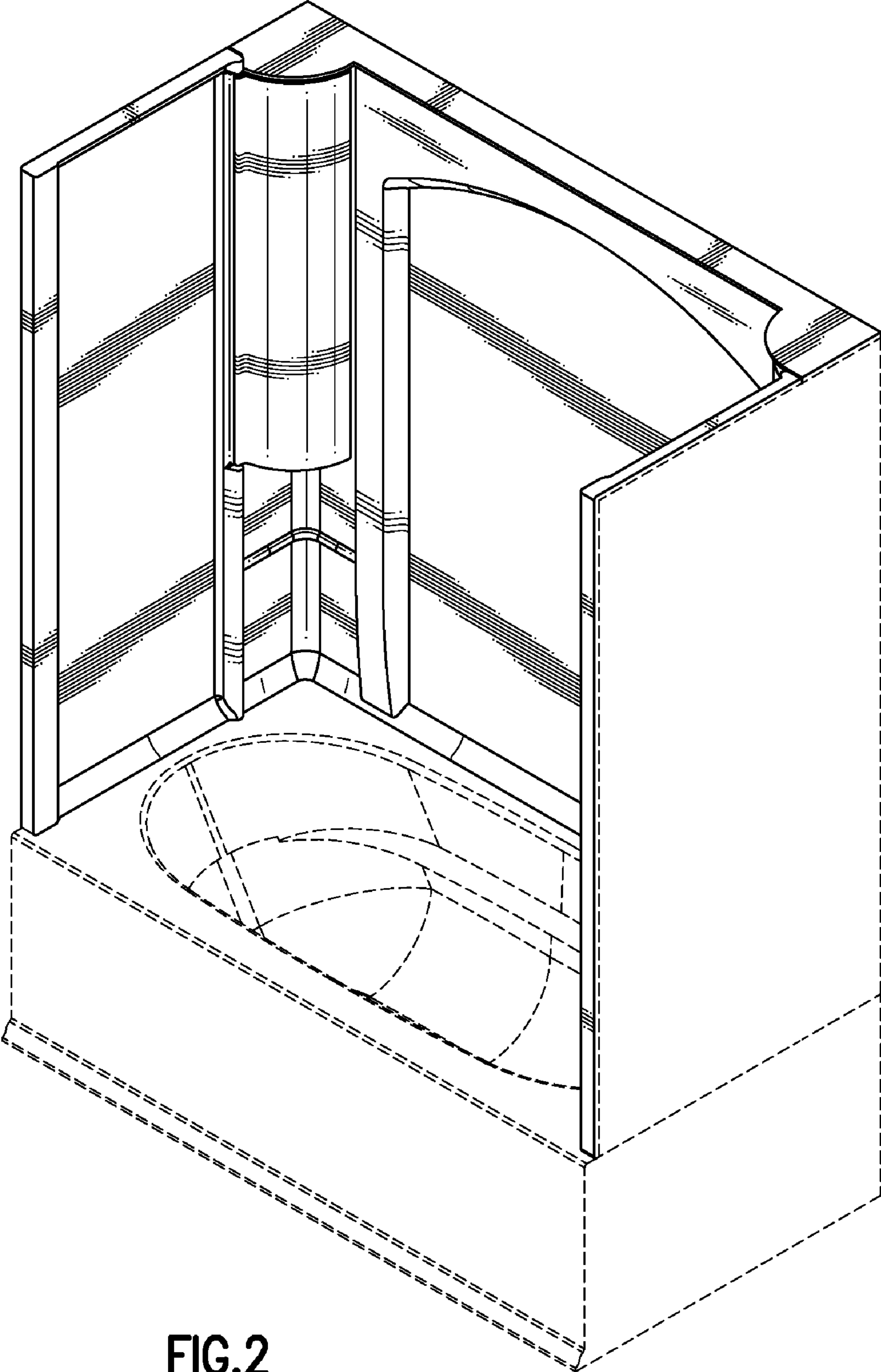


FIG.2

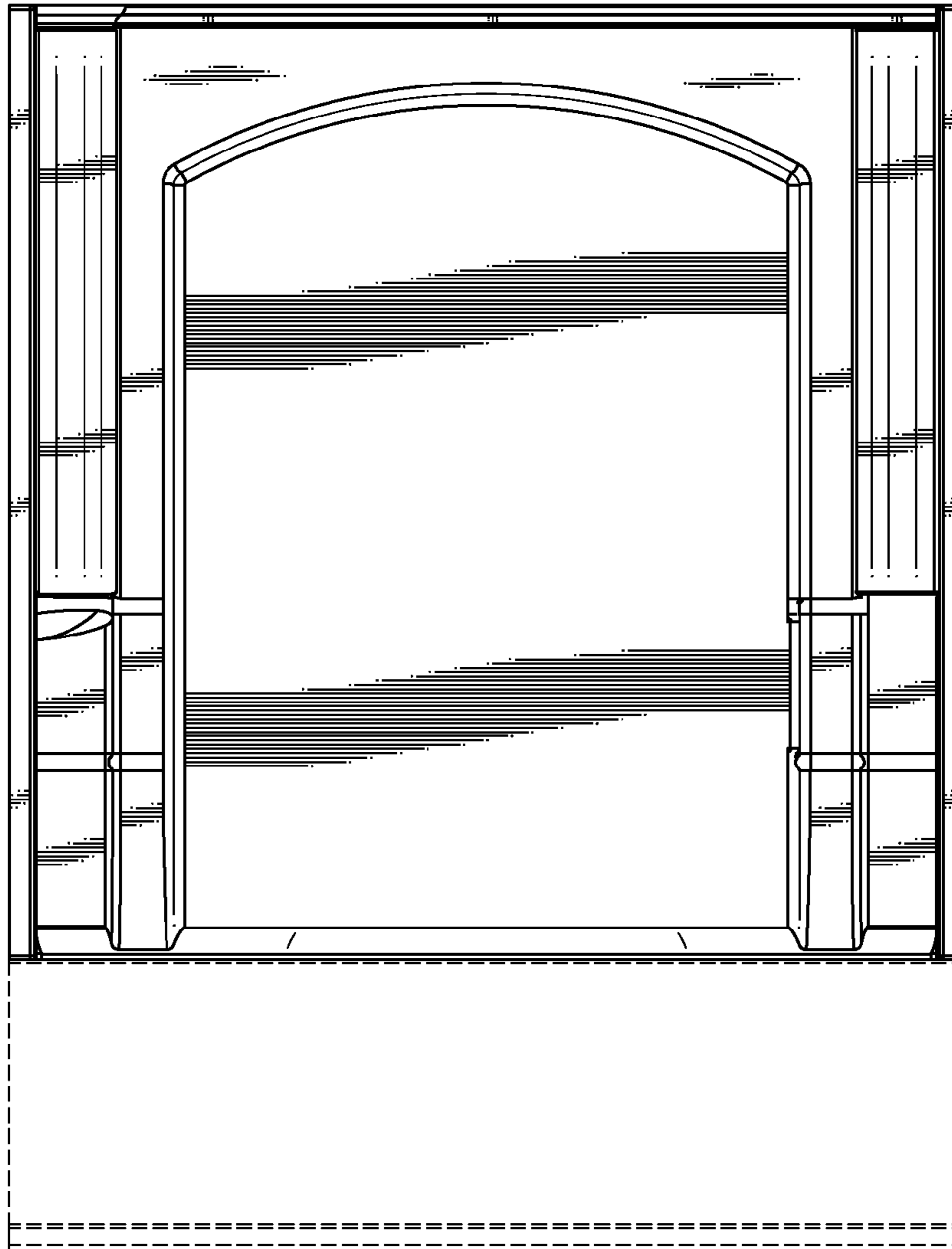


FIG.3

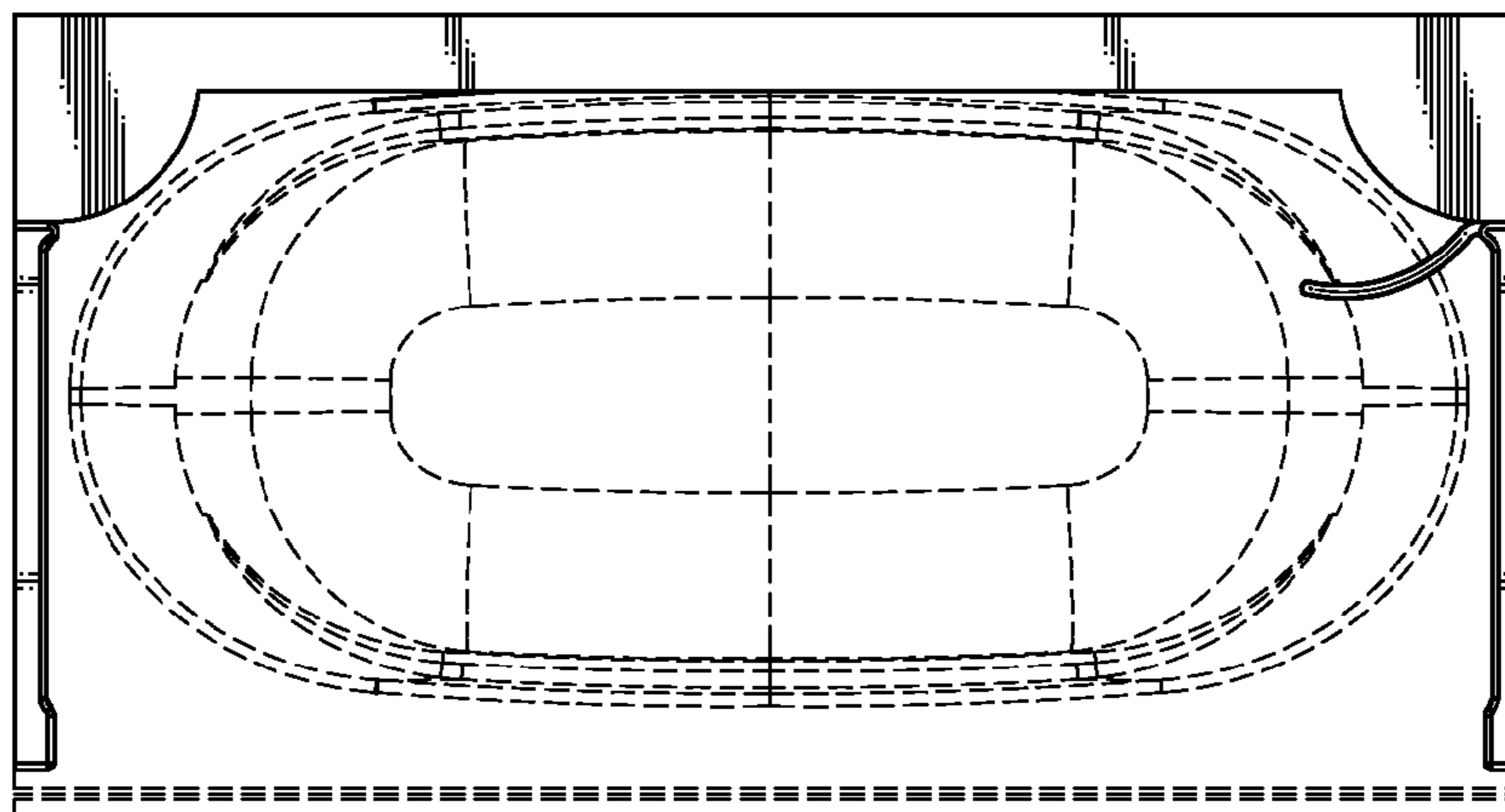


FIG.4