



US00D614737S

(12) **United States Design Patent**  
**Lass**

(10) **Patent No.:** **US D614,737 S**  
(45) **Date of Patent:** **\*\* Apr. 27, 2010**

(54) **LARGE DIAMETER FIRE HOSE DRAIN**

(76) Inventor: **William T. Lass**, 471 Neversink Dr., Port Jervis, NY (US) 12771

(\*\*) Term: **14 Years**

(21) Appl. No.: **29/342,174**

(22) Filed: **Aug. 19, 2009**

(51) **LOC (9) Cl.** ..... **23-01**

(52) **U.S. Cl.** ..... **D23/262**

(58) **Field of Classification Search** ..... D23/259-269;  
285/1, 53, 104-105, 404, 112, 340, 367,  
285/373, 915, 11-12, 7, 177, 394-395, 307,  
285/179, 179.1, 133.11-133.12, 423, 358,  
285/903; 411/5, 10

See application file for complete search history.

(56) **References Cited**

**U.S. PATENT DOCUMENTS**

2,759,766	A *	8/1956	Thomas	.....	239/558
3,888,519	A *	6/1975	Smith et al.	.....	285/55
3,904,228	A *	9/1975	Maroschak	.....	285/133.11
4,072,271	A	2/1978	Voss et al.		
D354,801	S *	1/1995	Grant et al.	.....	D23/263
D357,731	S	4/1995	Chih		
D389,562	S *	1/1998	Picton	.....	D23/263

D516,686	S *	3/2006	Wilk et al.	.....	D23/262
D517,176	S *	3/2006	Wilk et al.	.....	D23/262
7,055,865	B2 *	6/2006	Riordan et al.	.....	285/133.21
7,255,131	B2	8/2007	Paper et al.		
2005/0274831	A1	12/2005	Burdick		
2006/0255187	A1	11/2006	Rust		
2006/0261186	A1	11/2006	Fontaine et al.		

\* cited by examiner

*Primary Examiner*—T. Chase Nelson  
*Assistant Examiner*—Eric L Goodman

(57) **CLAIM**

The ornamental design for a large diameter fire hose drain, as shown and described.

**DESCRIPTION**

FIG. 1 is a perspective view of a large diameter fire hose drain showing my new design;

FIG. 2 is a front view thereof;

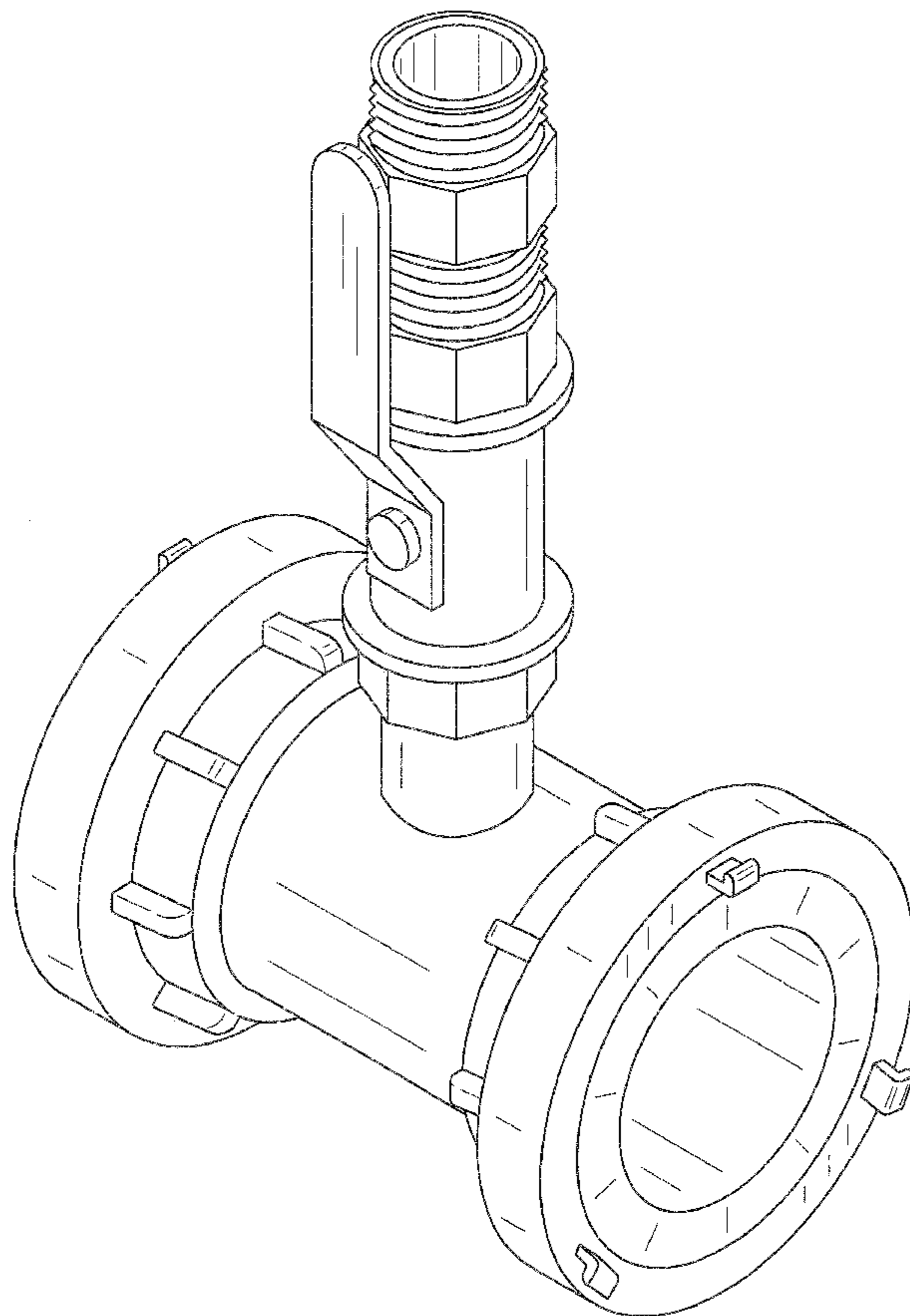
FIG. 3 is a back view thereof;

FIG. 4 is a side view thereof (opposite side is mirror image);

FIG. 5 is a top view thereof; and,

FIG. 6 is a bottom view thereof.

**1 Claim, 5 Drawing Sheets**



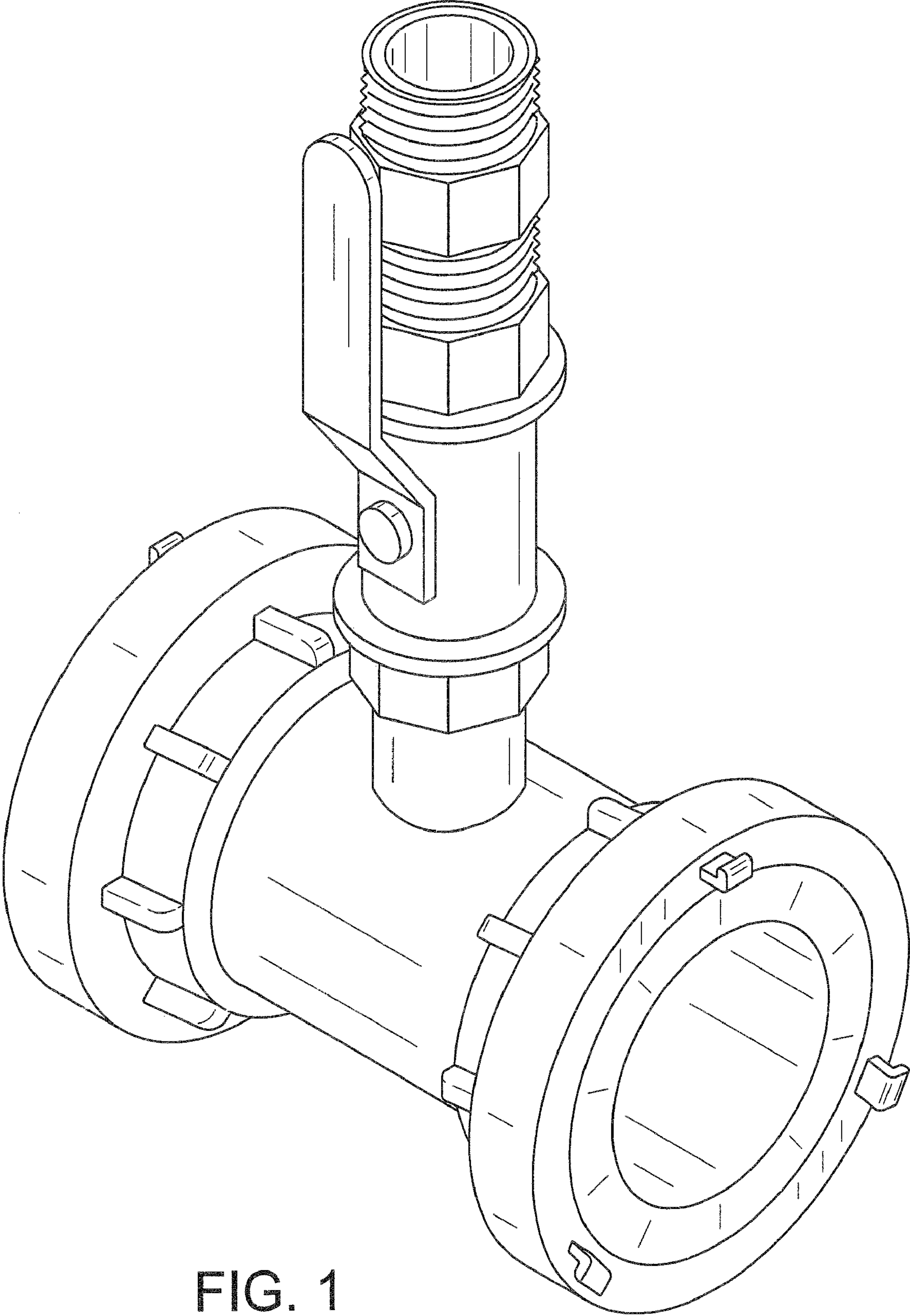


FIG. 1

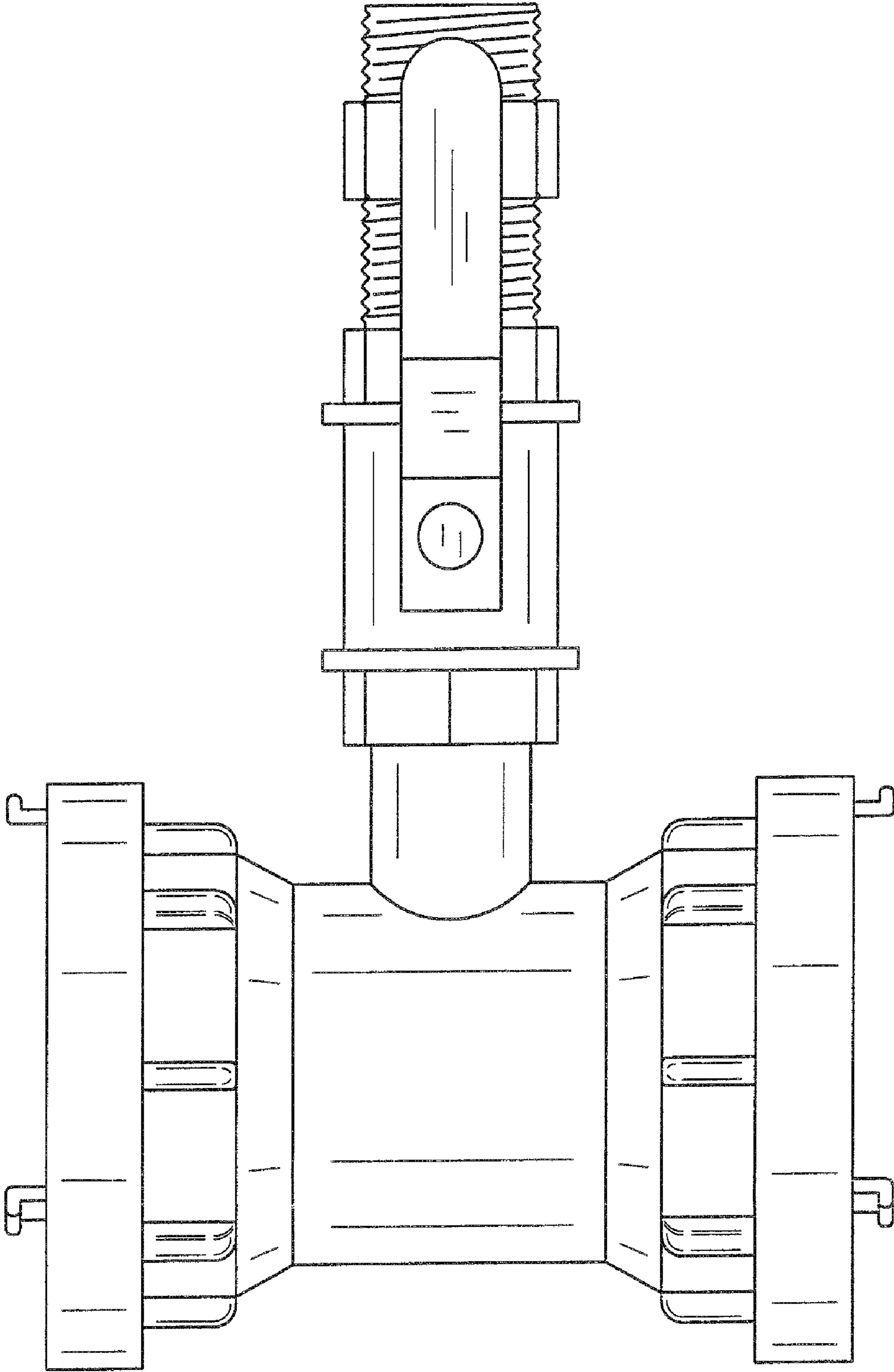


FIG. 2

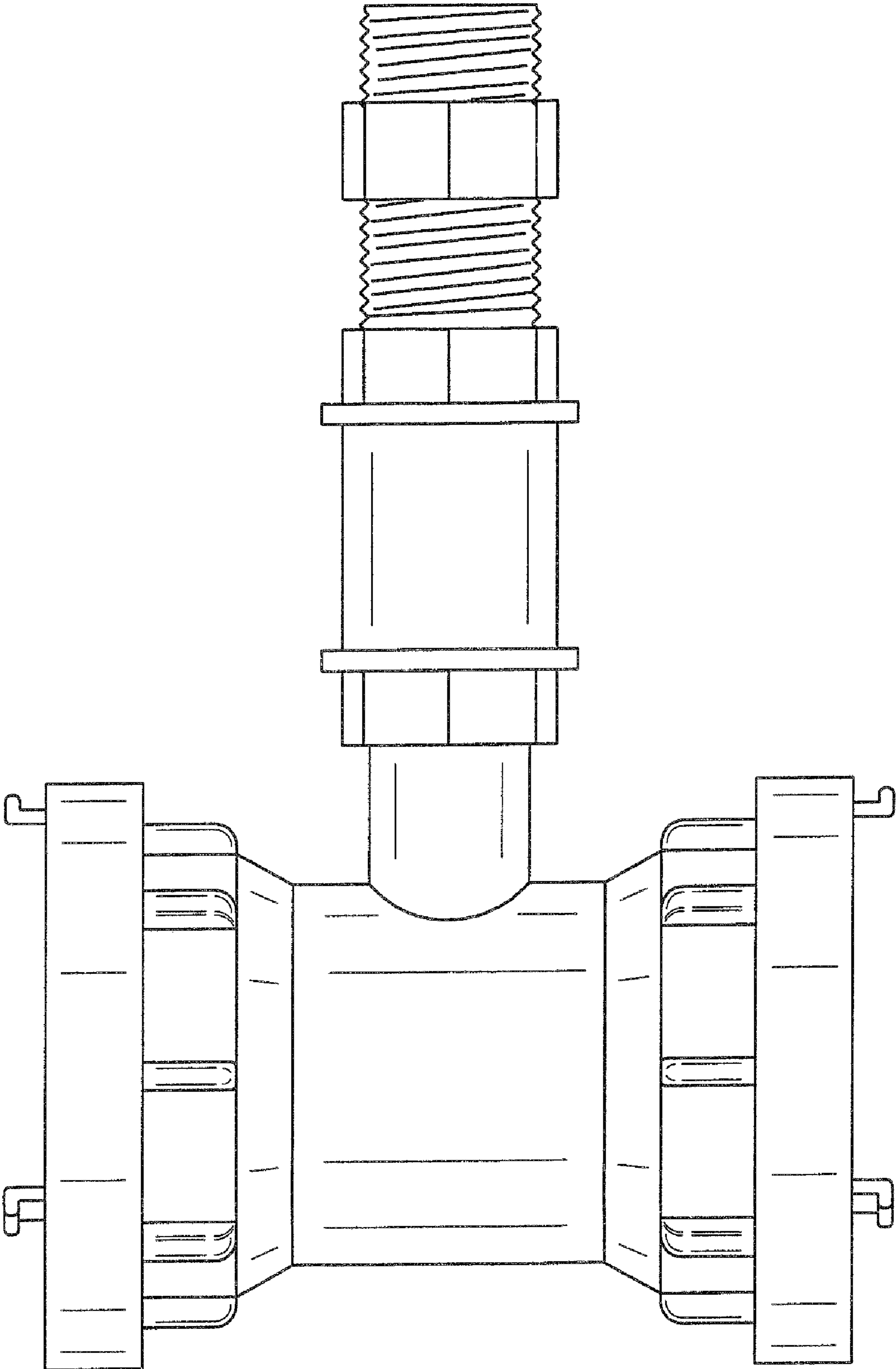


FIG. 3

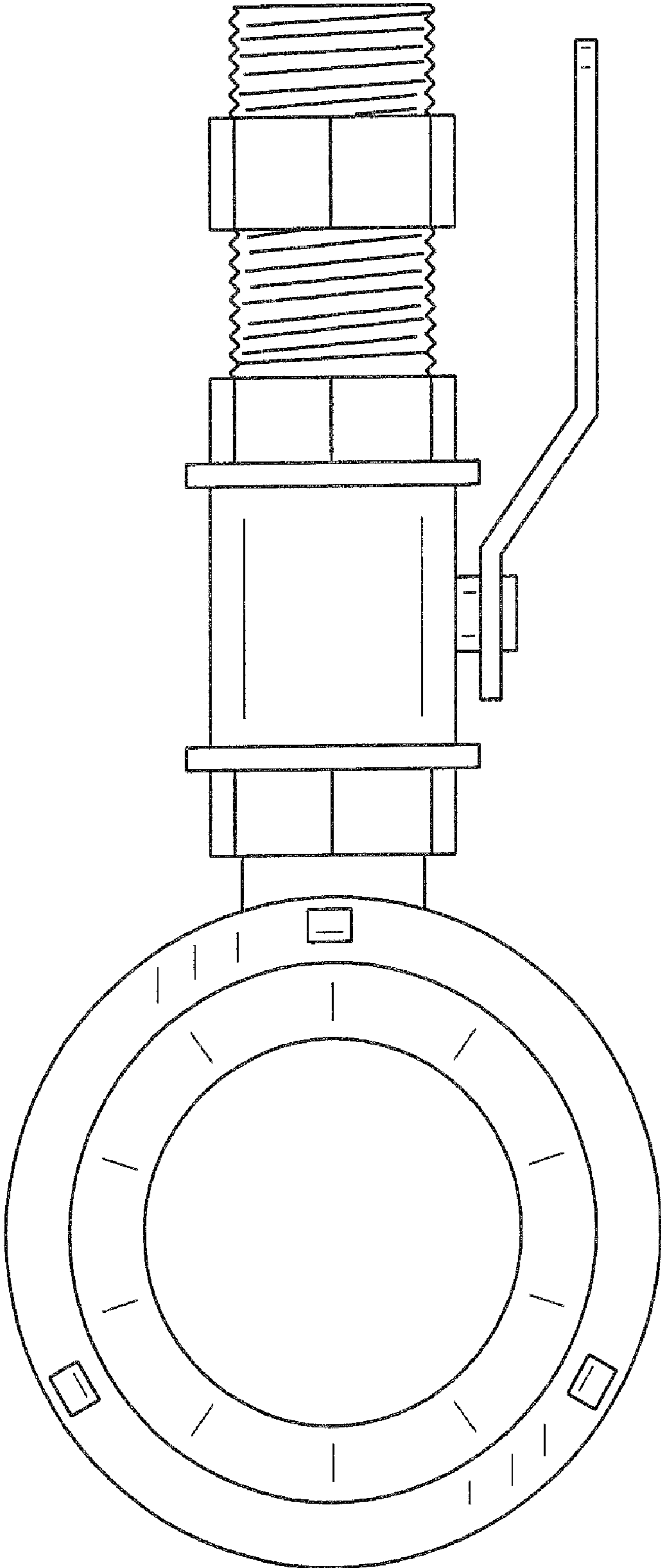


FIG. 4

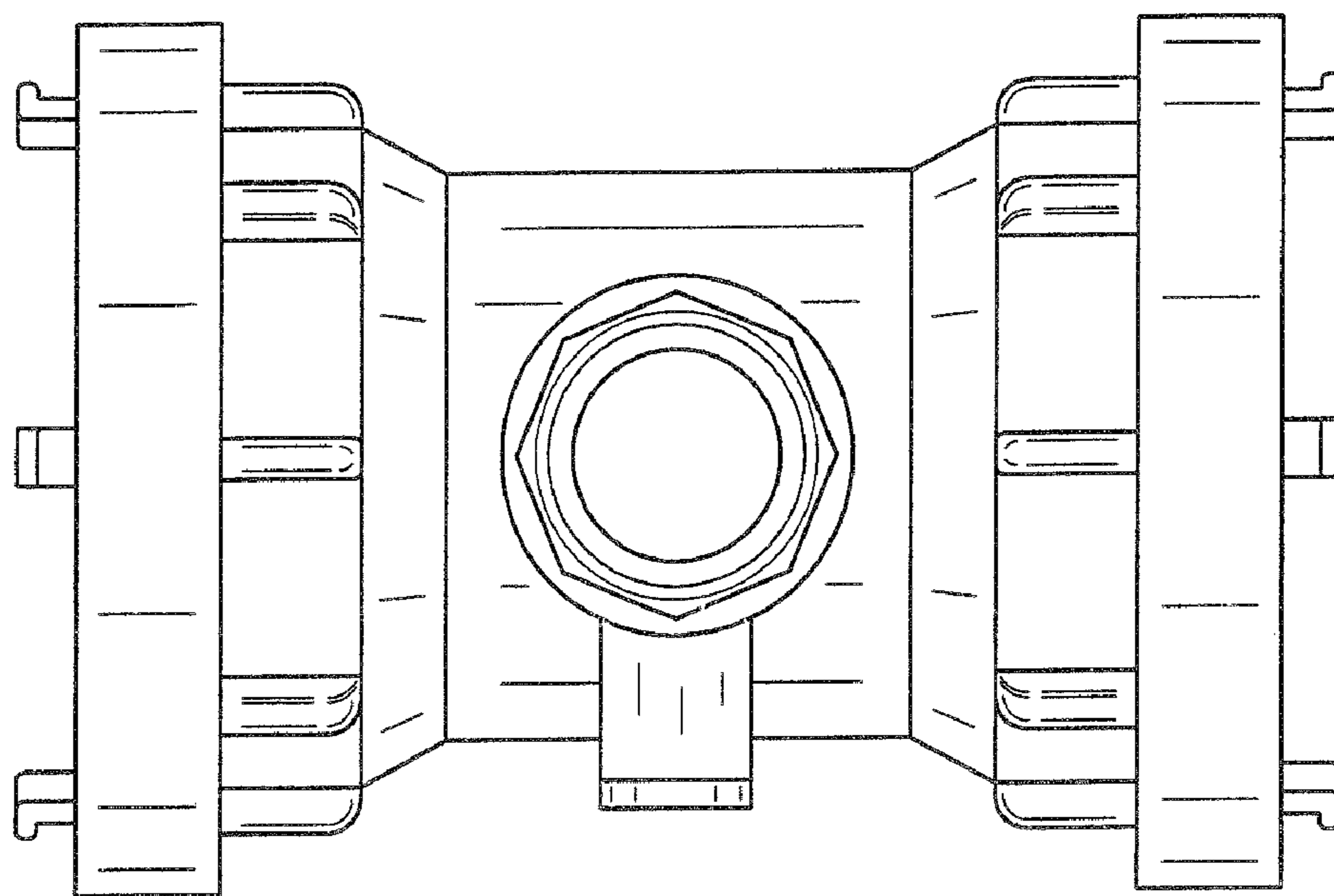


FIG. 5

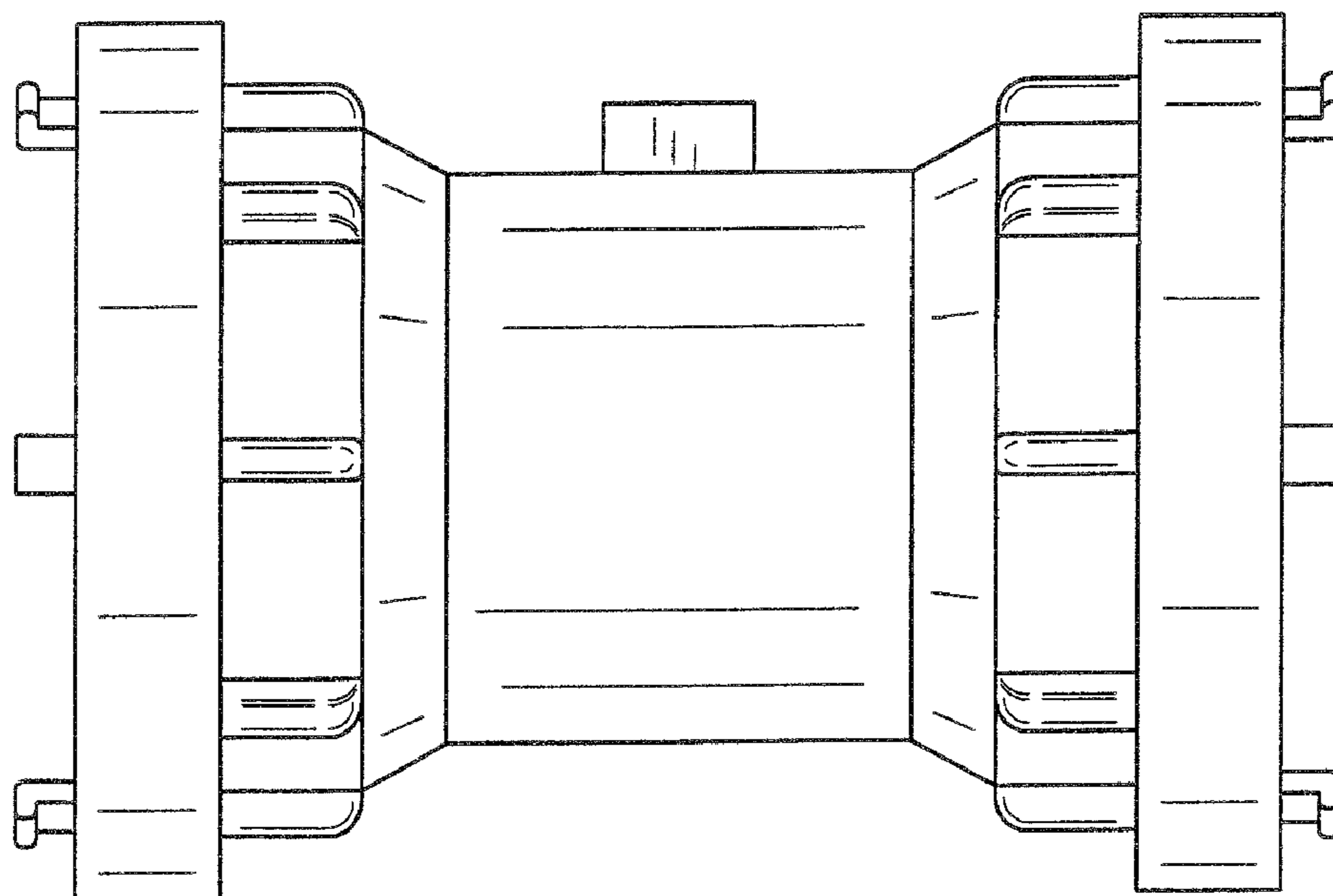


FIG. 6