



US00D614736S

(12) **United States Design Patent**
Freiler

(10) **Patent No.:** **US D614,736 S**

(45) **Date of Patent:** **** Apr. 27, 2010**

(54) **FUSIBLE CAP**

(75) Inventor: **John Freiler**, Somerset, NJ (US)

(73) Assignee: **Pelican Worldwide, Inc.**, Houston, TX (US)

(**) Term: **14 Years**

(21) Appl. No.: **29/314,194**

(22) Filed: **Mar. 12, 2009**

(51) **LOC (9) Cl.** **23-01**

(52) **U.S. Cl.** **D23/260**

(58) **Field of Classification Search** D23/259-269;
D12/197, 110, 114, 198, 218, 201; D7/398,
D7/598; D8/310-312, 107-108; D9/435,
D9/201, 451-454, 443-444; 285/11-12,
285/7, 177, 394-395, 307, 358, 179-183,
285/423, 356, 303, 337, 1, 404, 112, 367,
285/373, 915; 4/321, 323; 292/58-59; 220/304,
220/200, 203.4, 288, 32, 33, 12, 86.1-86.3,
220/375; 411/300, 411, 553, 349; 280/833,
280/839; 138/89, 89.2-89.3, 89.1, 96 R,
138/96 T

See application file for complete search history.

(56) **References Cited**

U.S. PATENT DOCUMENTS

4,139,005 A * 2/1979 Dickey 138/89
D257,057 S * 9/1980 Logsdon D23/260
D353,444 S * 12/1994 Merrett D23/260
D407,146 S * 3/1999 Kehlbeck D23/260
6,145,530 A 11/2000 Fernandez
D436,864 S * 1/2001 Slater D9/451

6,994,101 B2 * 2/2006 Freiler 137/74
7,185,668 B2 * 3/2007 Ochi et al. 137/79
2005/0092362 A1 * 5/2005 Freiler 137/72
2006/0005879 A1 * 1/2006 Ochi et al. 137/79

* cited by examiner

Primary Examiner—T. Chase Nelson

Assistant Examiner—Eric L Goodman

(74) *Attorney, Agent, or Firm*—The Compton Law Firm;
Scott D. Compton

(57) **CLAIM**

The ornamental design for a fusible cap, as shown and described.

DESCRIPTION

FIG. 1 is a perspective view of a fusible cap showing my new design;

FIG. 2 is a front elevational view of the fusible cap, the front and back being mirror images of one another;

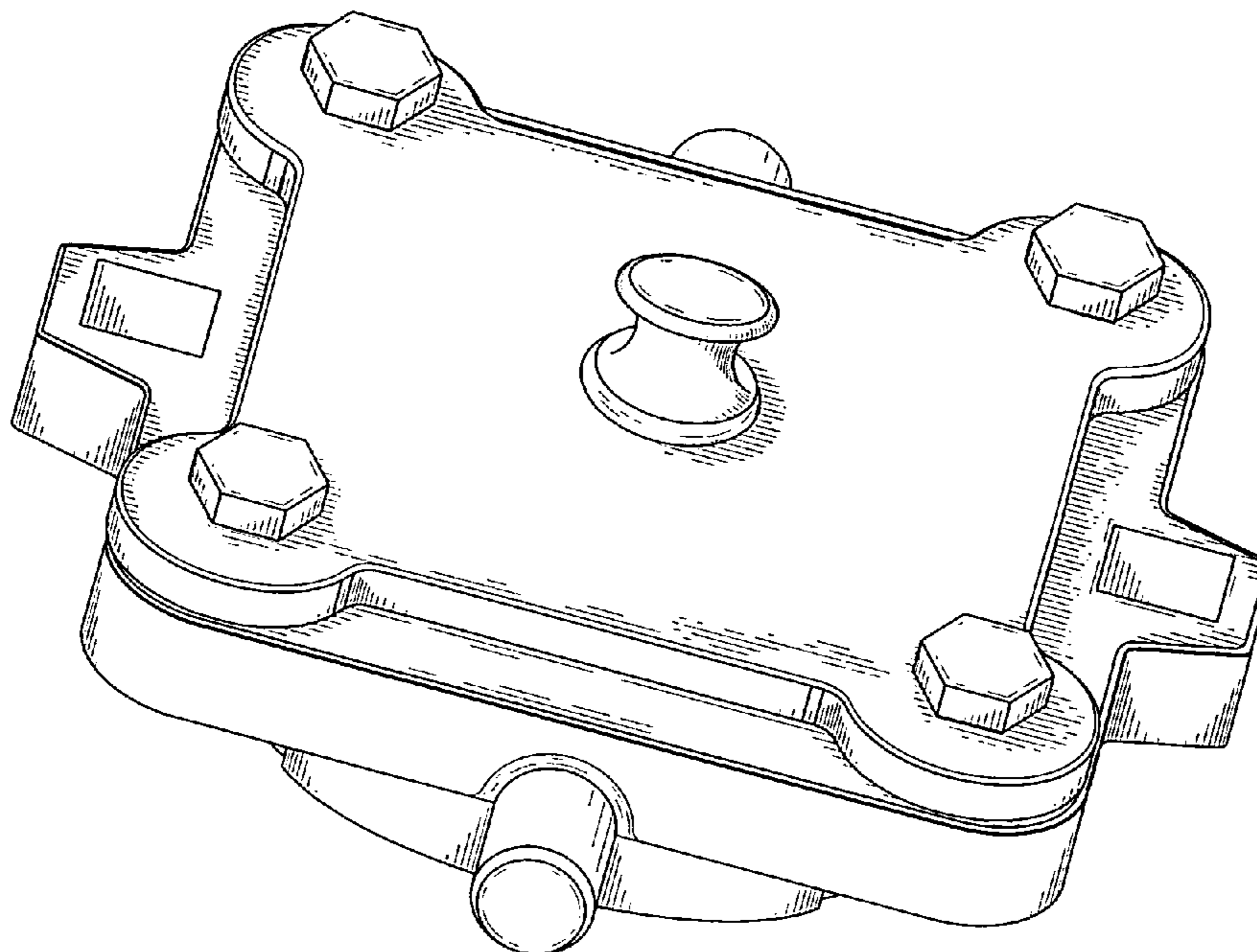
FIG. 3 is a left side elevational view of the fusible cap, the left and right sides being mirror images of one another;

FIG. 4 is a top view of the fusible cap;

FIG. 5 is a bottom view of the fusible cap, whereby the portions in broken lines are for the purpose of illustrating portions of the article that form no part of the claimed design; and,

FIG. 6 is a perspective view of the fusible cap, whereby the container manhole is shown for environmental purposes only and forms no part of the claimed design, and whereby the dashed lines form no part of the claimed design.

1 Claim, 4 Drawing Sheets



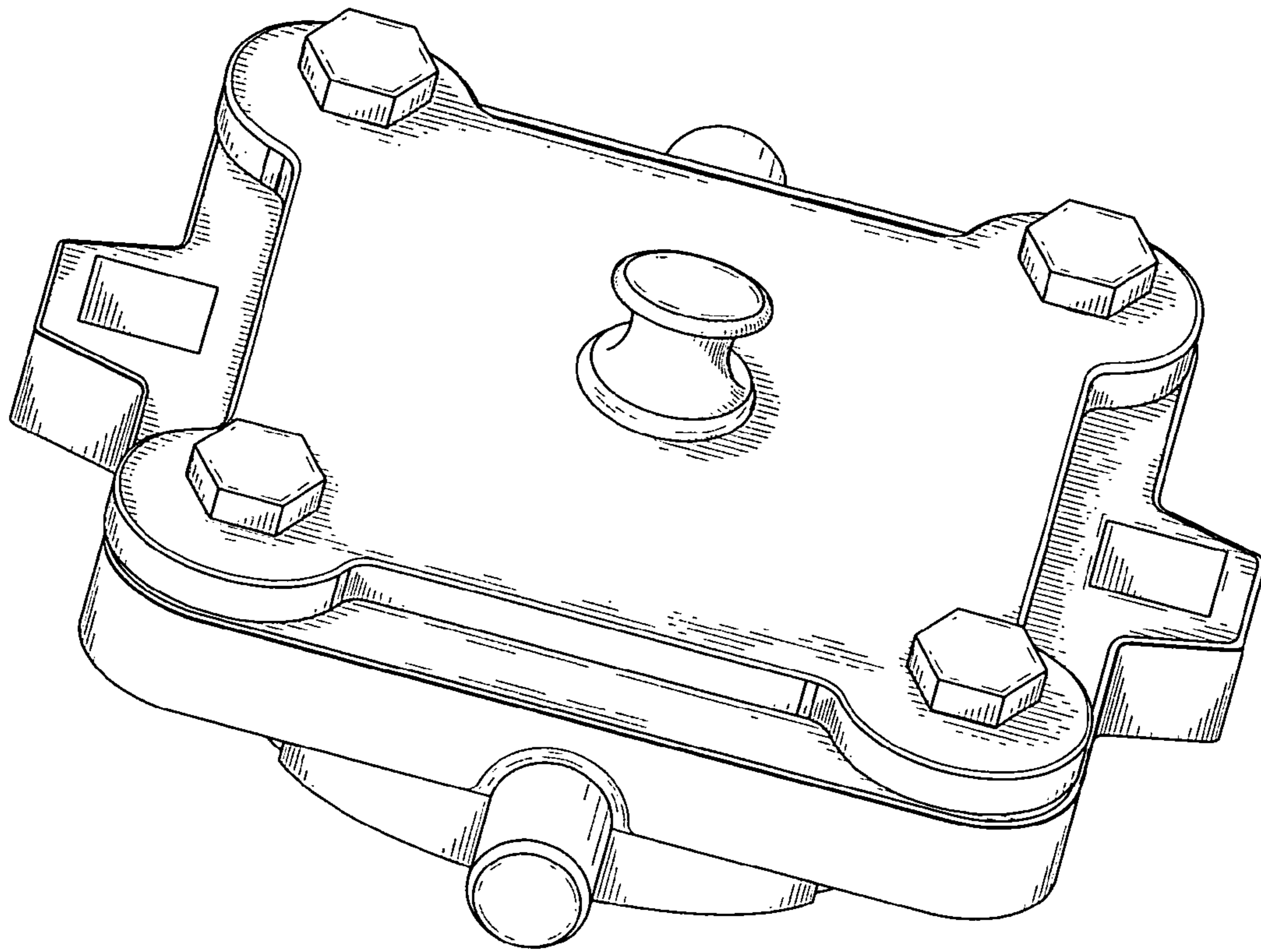


FIG. 1

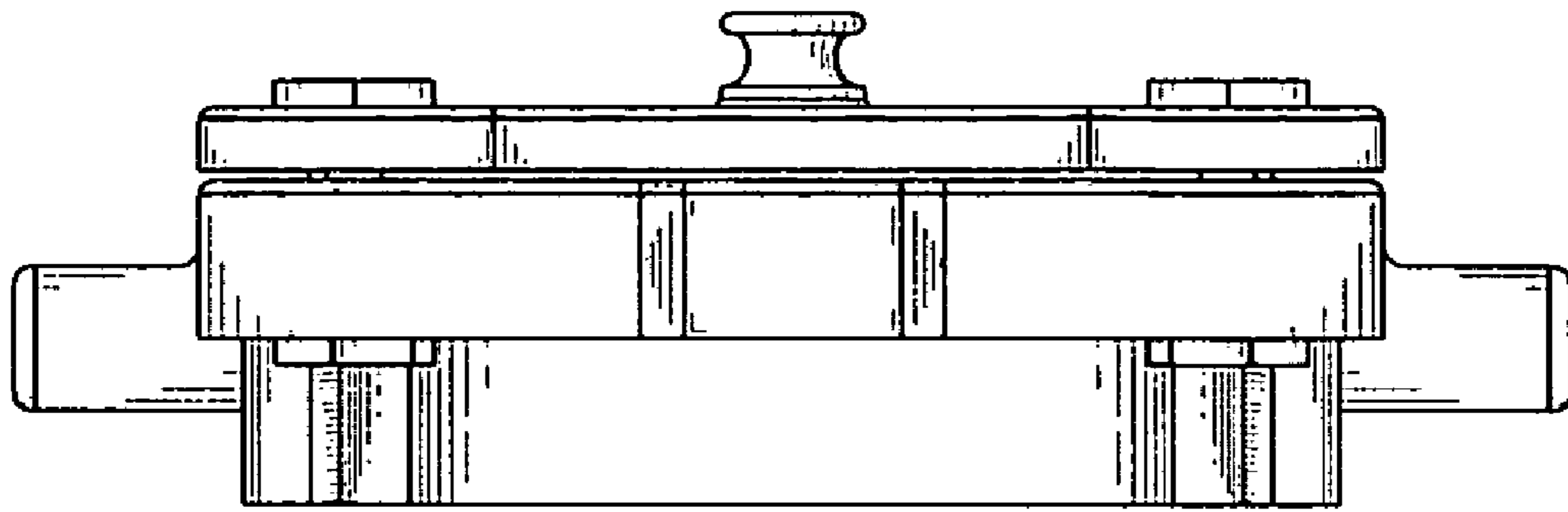


FIG. 2

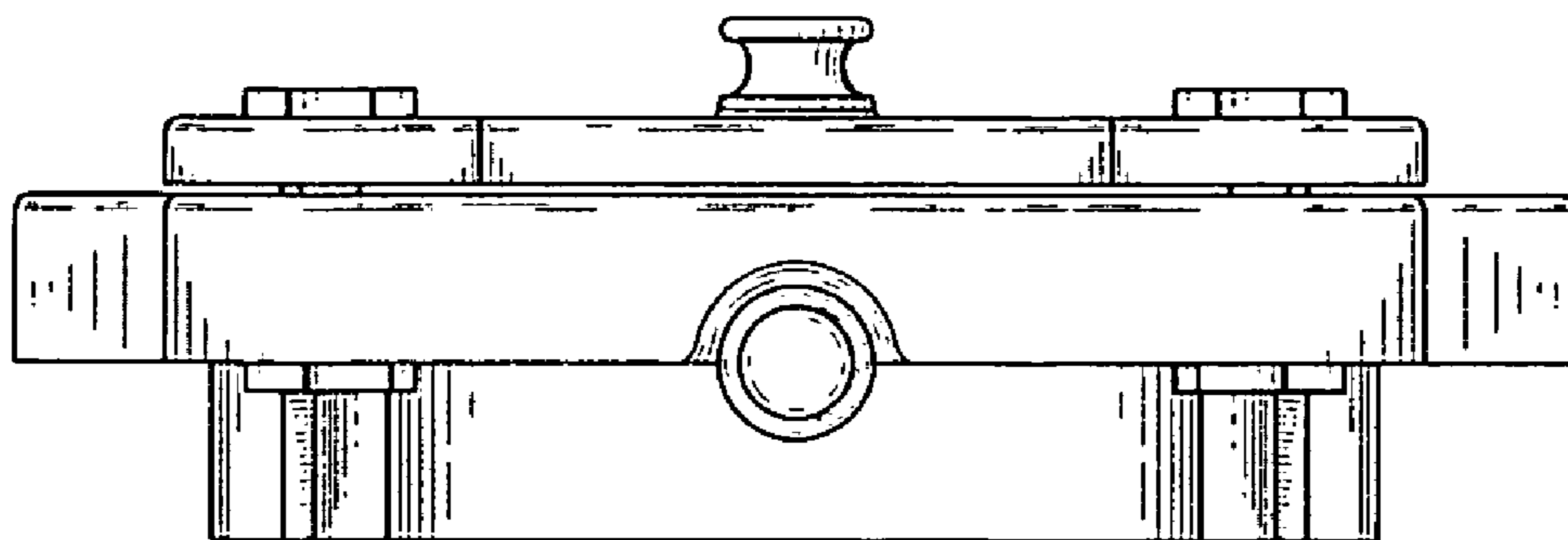


FIG. 3

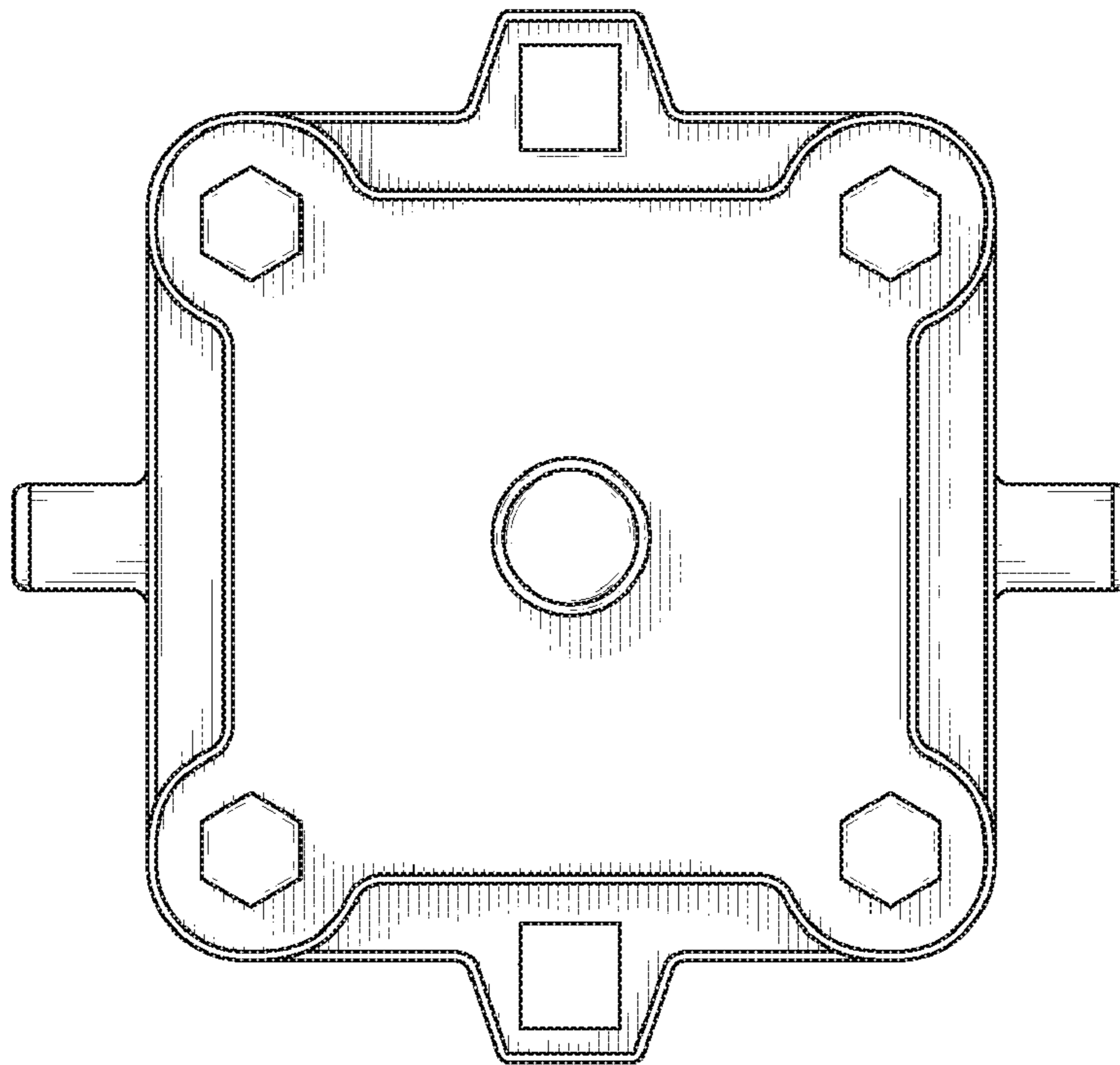


FIG. 4

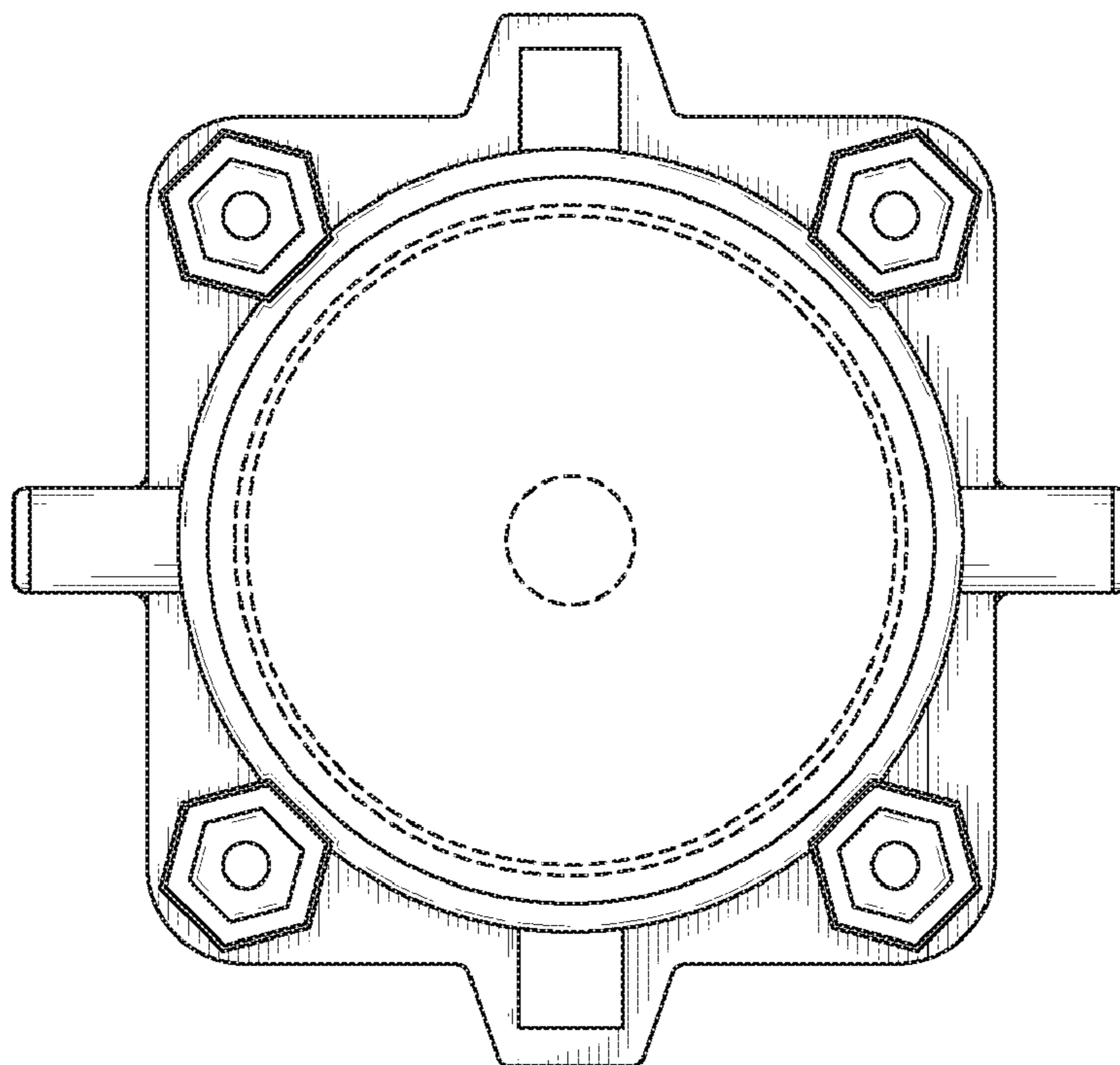


FIG. 5

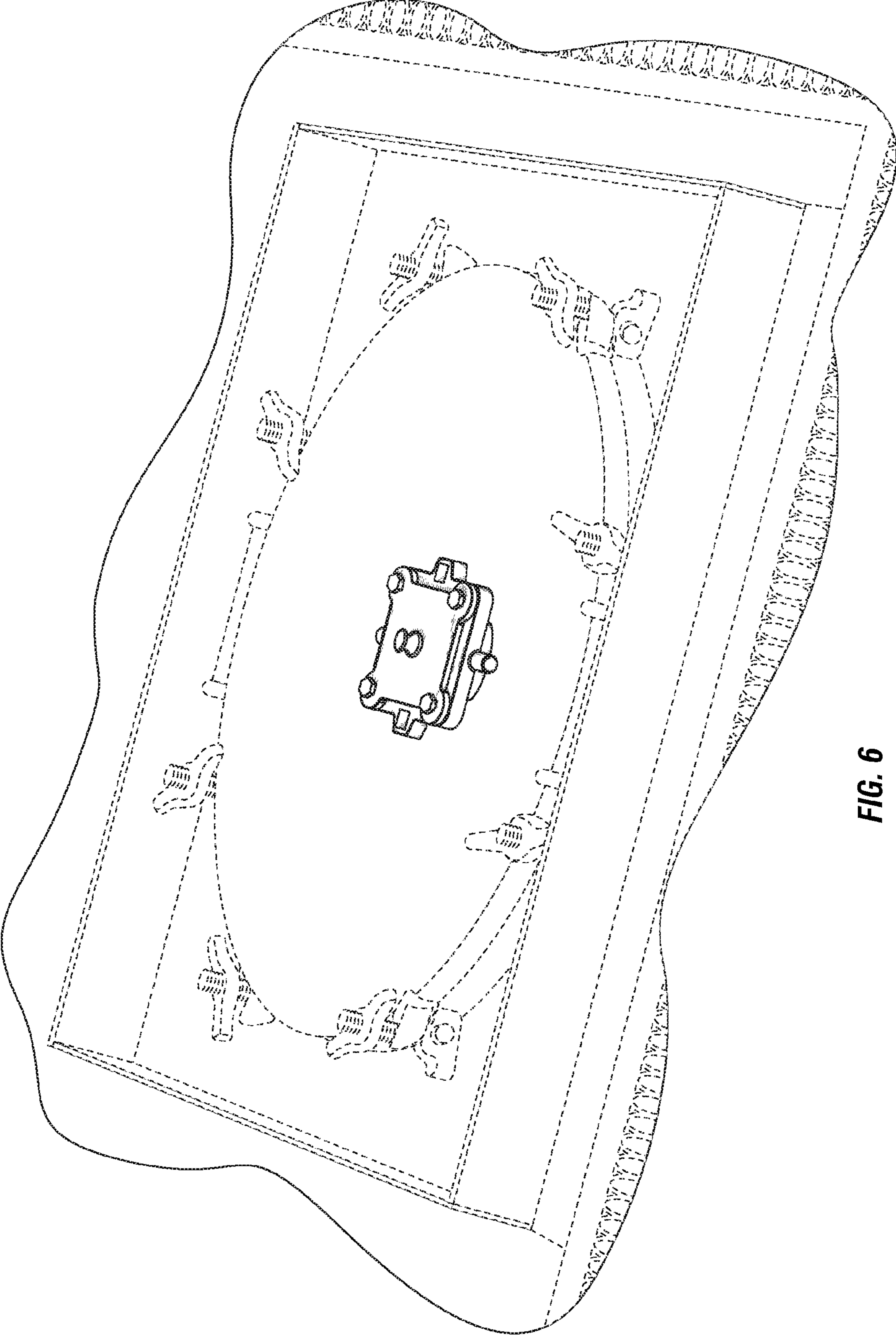


FIG. 6