



US00D614734S

(12) **United States Design Patent**
Kulig

(10) **Patent No.:** **US D614,734 S**

(45) **Date of Patent:** **** Apr. 27, 2010**

(54) **FAUCET**

(75) **Inventor:** **Zbigniew Kulig**, Wadworth, IL (US)

(73) **Assignee:** **Graff Faucets**, Milwaukee, WI (US)

(**) **Term:** **14 Years**

(21) **Appl. No.:** **29/340,747**

(22) **Filed:** **Jul. 24, 2009**

(51) **LOC (9) Cl.** **23-01**

(52) **U.S. Cl.** **D23/242**

(58) **Field of Classification Search** D23/200,
D23/238-257; D6/512, 546, 550; D8/300,
D8/307-308, 310-312, 321; 4/675-678;
137/801; 16/110.1, 441

See application file for complete search history.

(56) **References Cited**

U.S. PATENT DOCUMENTS

D265,229 S *	6/1982	Paul	D23/242
D290,870 S *	7/1987	Paul	D23/242
D312,496 S *	11/1990	Strignano	D23/242
D317,349 S *	6/1991	Rodstein	D23/242
D321,752 S *	11/1991	Paul	D23/242
D479,740 S *	9/2003	Citterio	D23/242
D492,392 S *	6/2004	Pohl et al.	D23/242
D509,283 S *	9/2005	Sieger	D23/238
D510,612 S *	10/2005	Lammel et al.	D23/241
D529,586 S	10/2006	Kulig et al.		
D540,915 S	4/2007	Kulig		
D546,421 S	7/2007	Kulig et al.		
D566,815 S *	4/2008	Wang	D23/242

D570,451 S *	6/2008	Dolan	D23/242
D573,231 S	7/2008	Kulig		
D582,010 S *	12/2008	Chen	D23/238
D602,123 S *	10/2009	Sieger	D23/242

OTHER PUBLICATIONS

Kulig; U.S. Appl. No. 29,324,662, filed Sep. 17, 2008, entitled "Faucet".

* cited by examiner

Primary Examiner—T. Chase Nelson

Assistant Examiner—Mark Cavanna

(74) *Attorney, Agent, or Firm*—Boyle Fredrickson, S.C.

(57) **CLAIM**

The ornamental design for a faucet, as shown and described.

DESCRIPTION

FIG. 1 is perspective view of a faucet incorporating my new design, viewed from in front of, above, and from the left side of the faucet;

FIG. 2 is a left-side elevation view thereof;

FIG. 3 is a right-side elevation view thereof;

FIG. 4 is a front elevation view thereof;

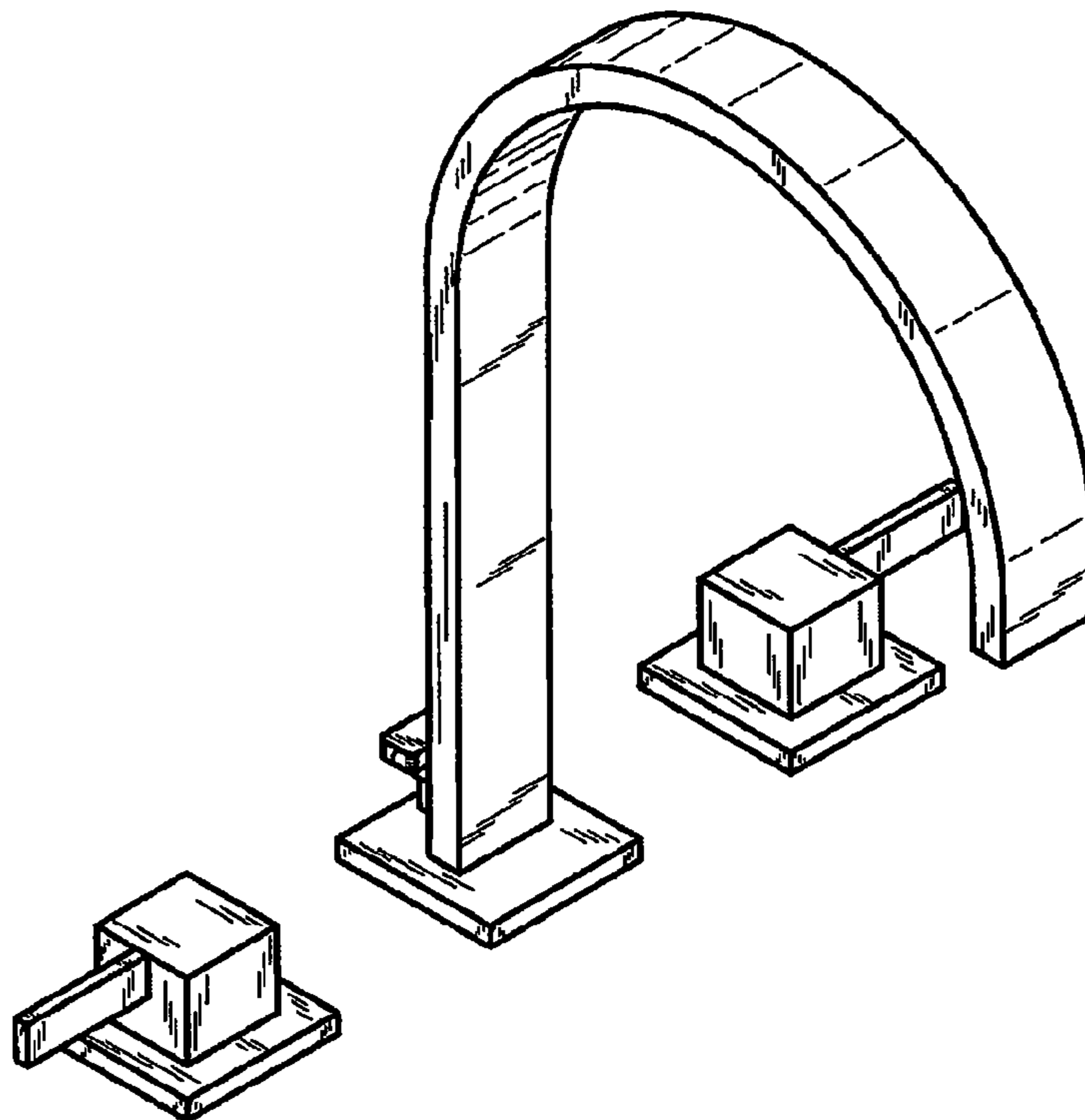
FIG. 5 is a rear elevation view thereof;

FIG. 6 is a top plan view thereof; and,

FIG. 7 is a bottom plan view thereof.

The broken lines in FIG. 7 are for illustrative purposes only and form no part of the claimed design

1 Claim, 7 Drawing Sheets



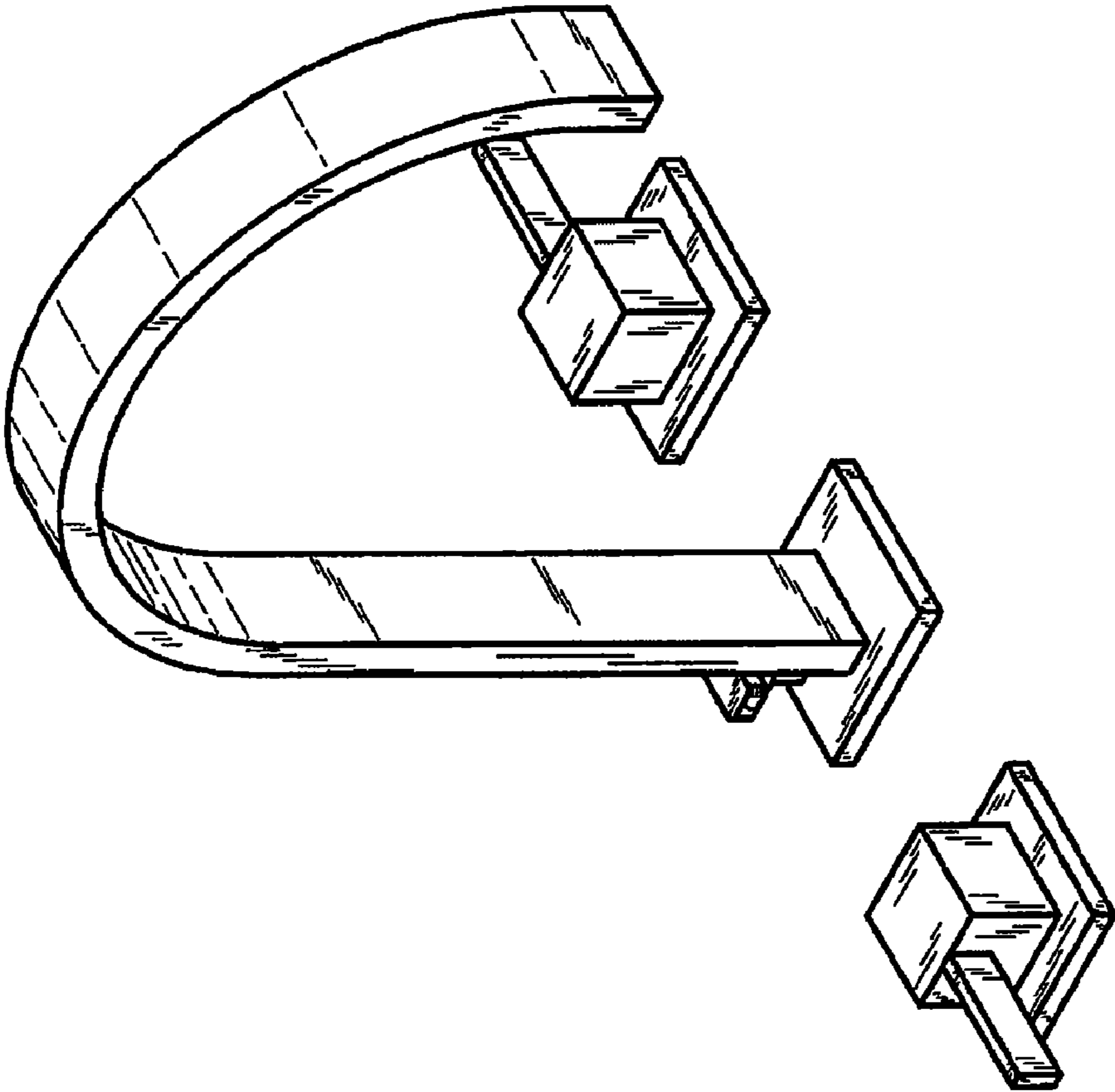


FIG. 1

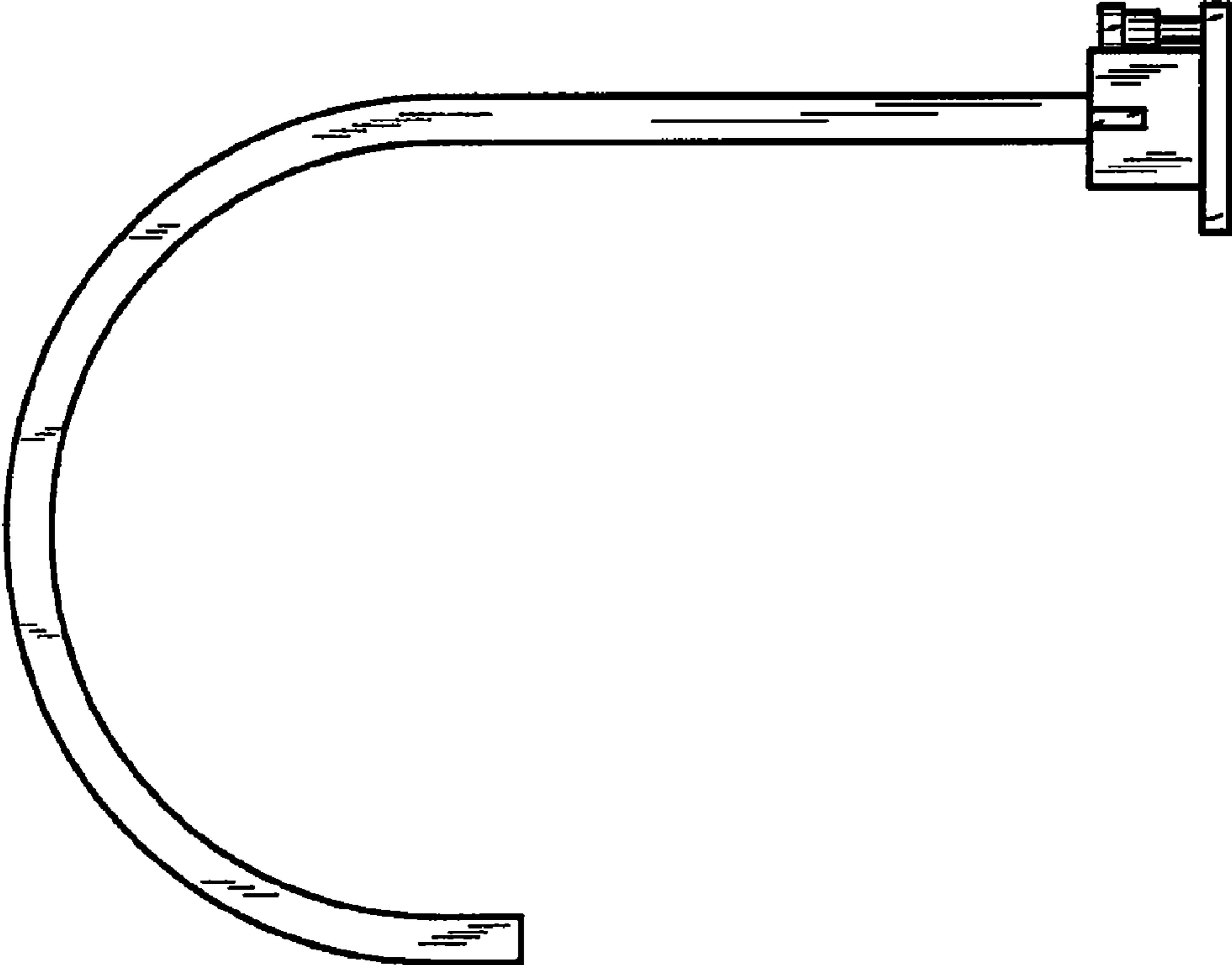


FIG. 2

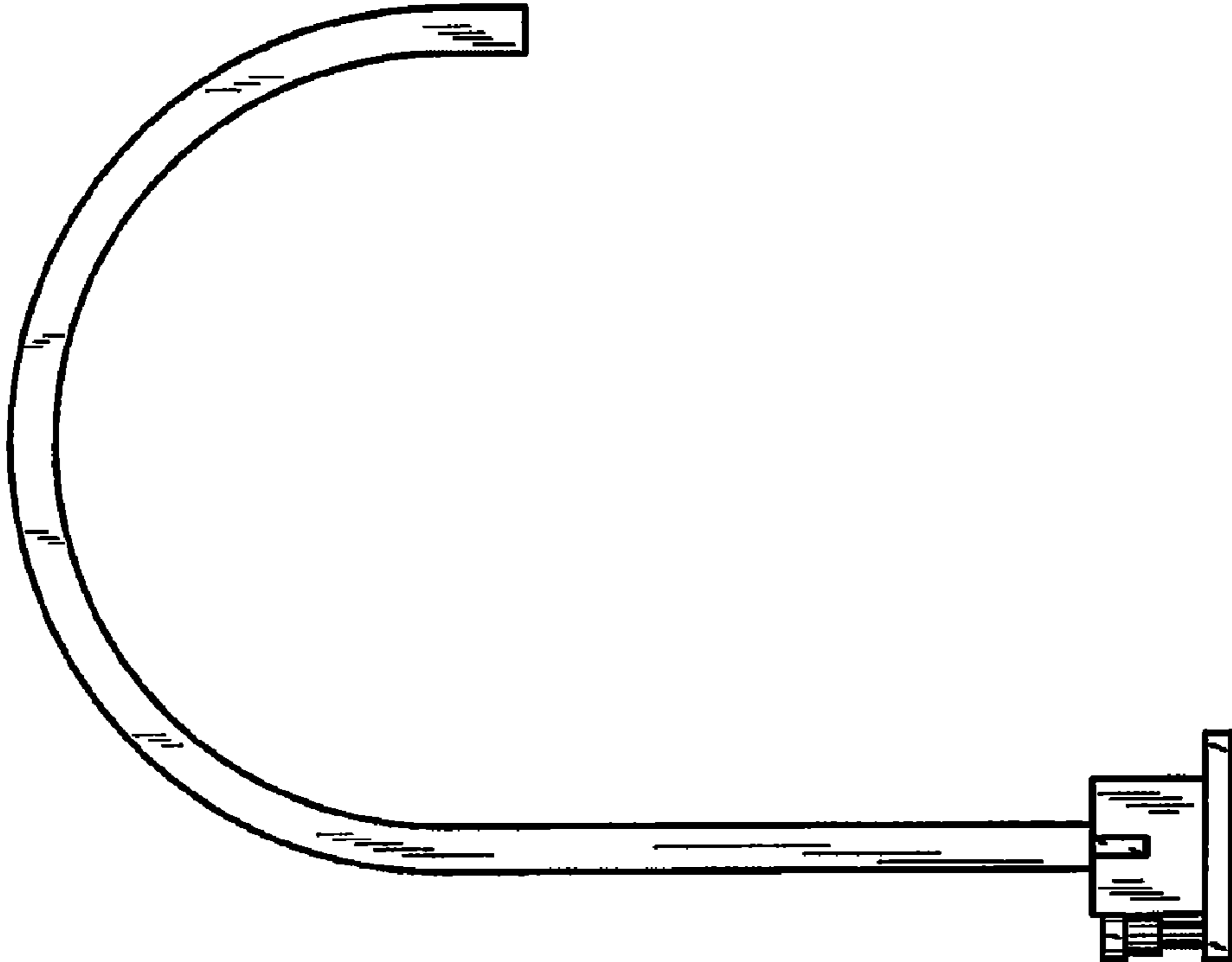


FIG. 3

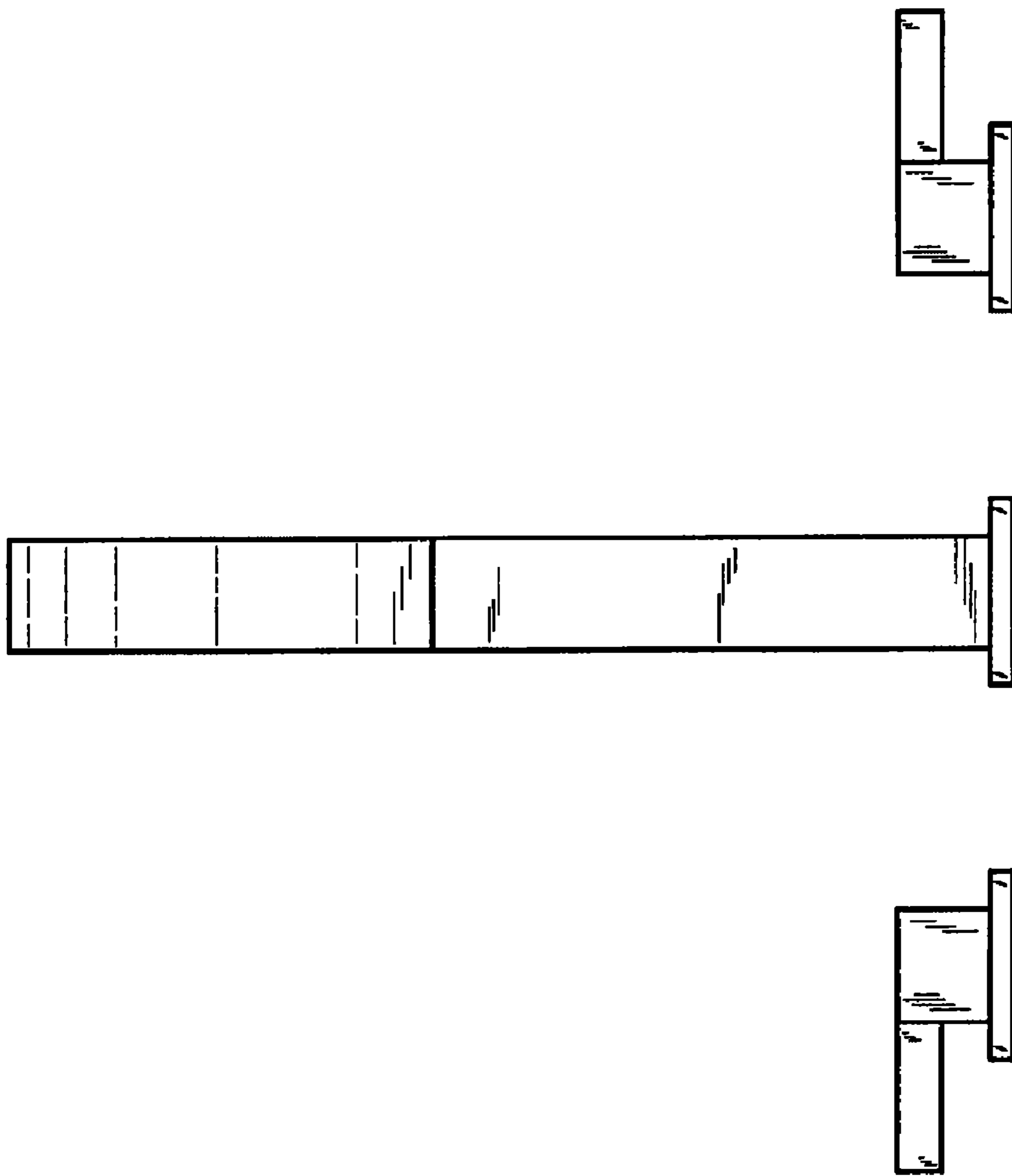


FIG. 4

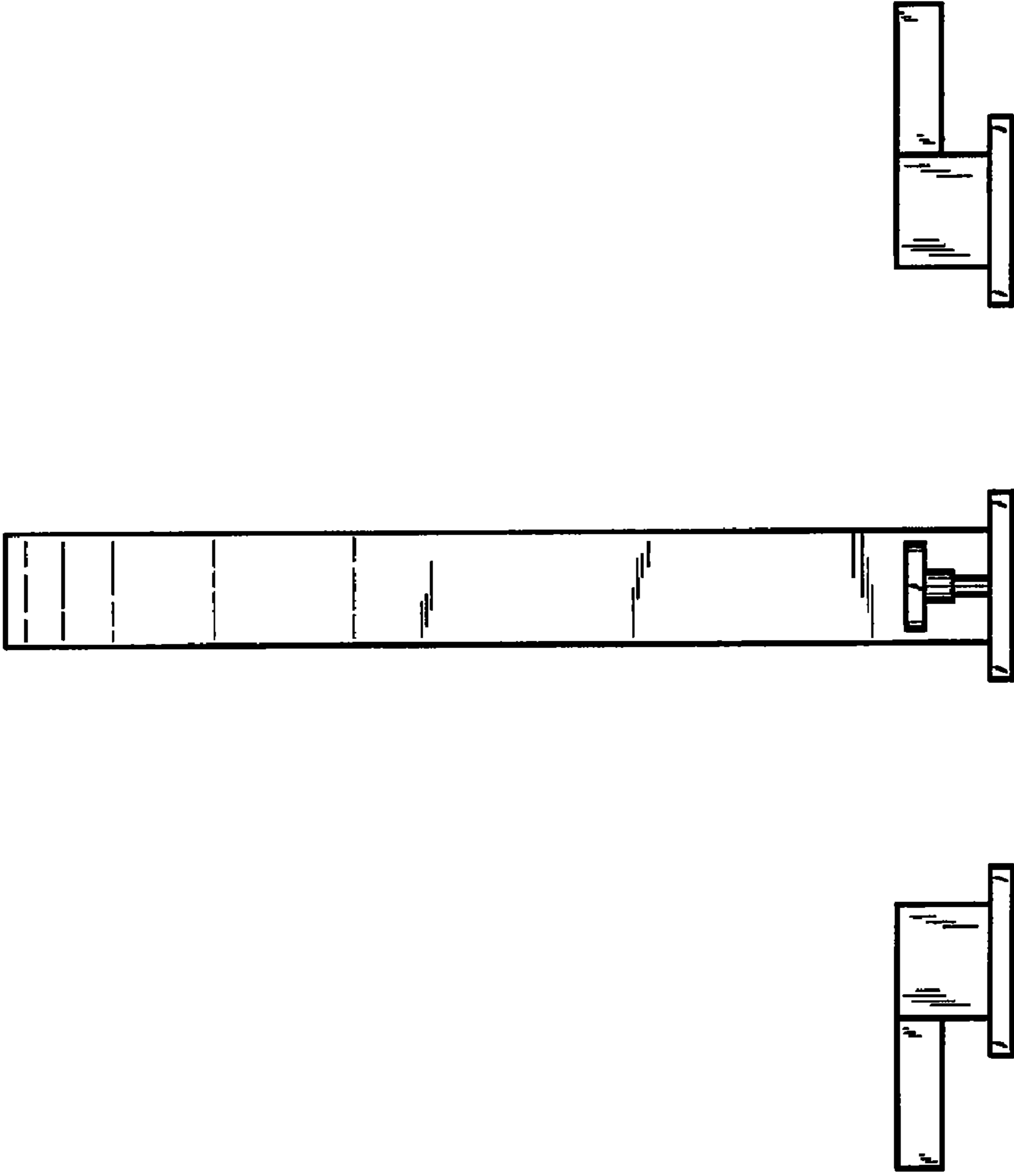


FIG. 5

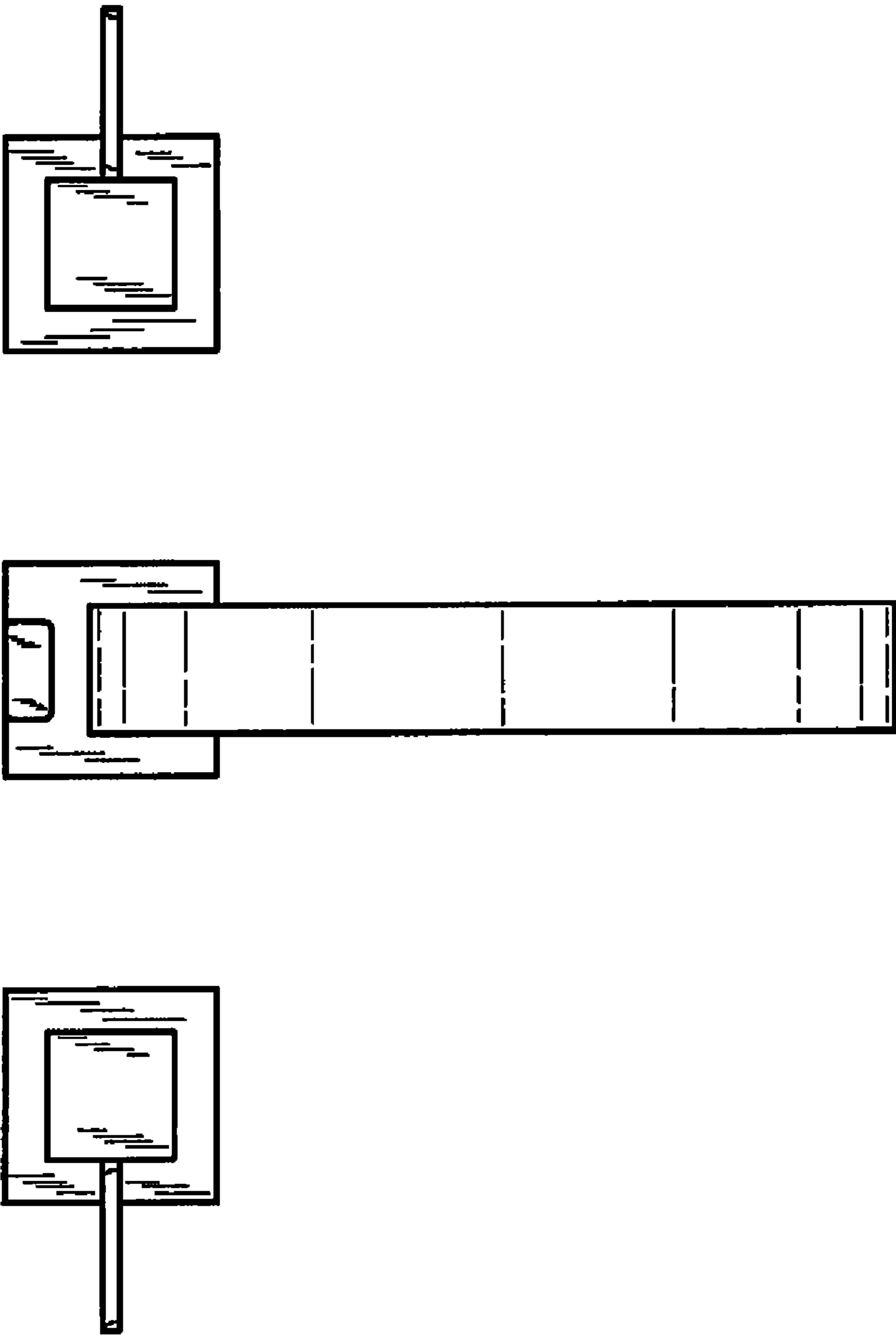


FIG. 6

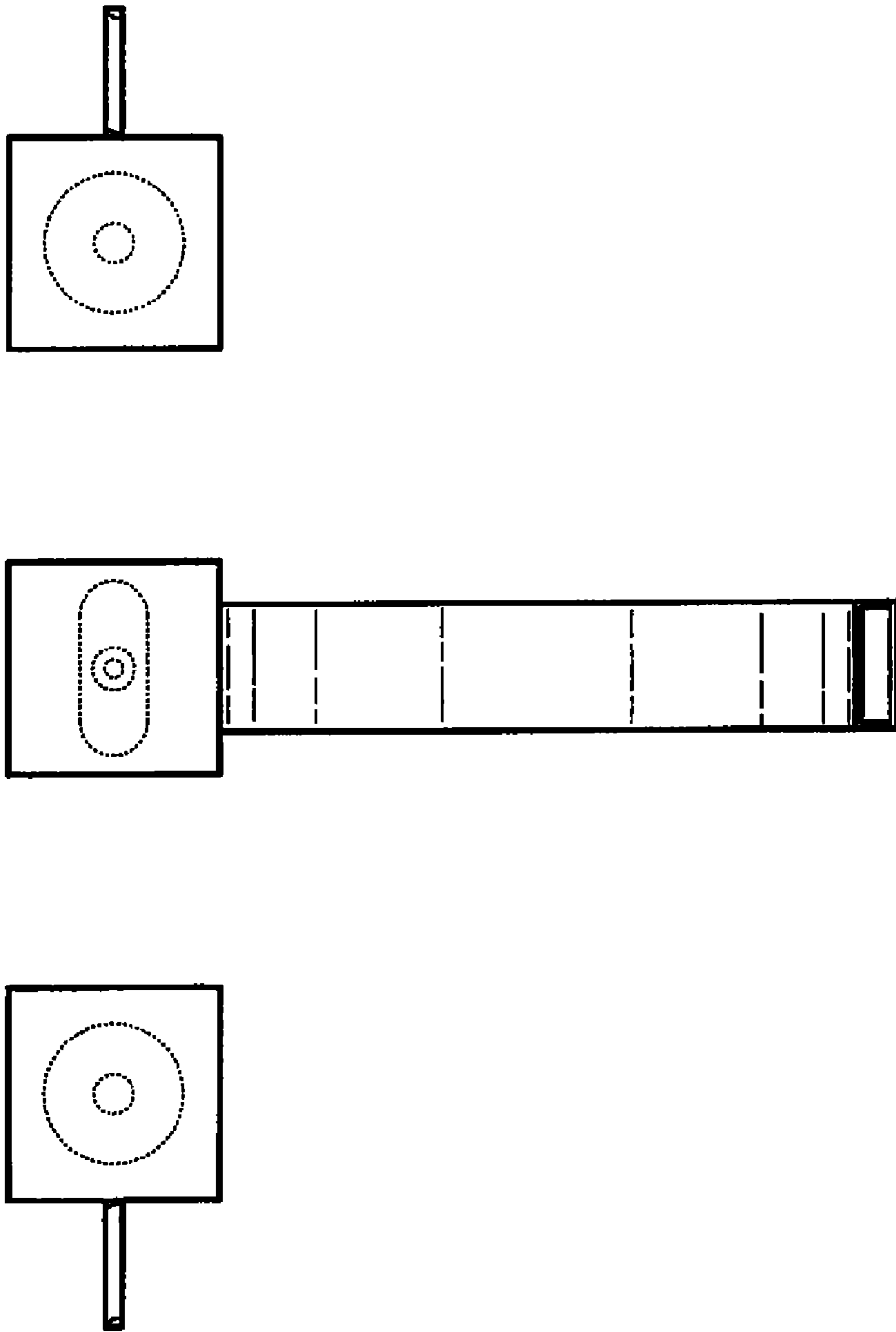


FIG. 7