



US00D614733S

(12) **United States Design Patent**
Pan

(10) **Patent No.:** **US D614,733 S**

(45) **Date of Patent:** **** Apr. 27, 2010**

(54) **SPIGOT**

(57) **CLAIM**

(75) Inventor: **Chia-Chen Pan**, Changhua Hsien (TW)

The ornamental design for a spigot, as shown.

(73) Assignee: **Sheng Tai Brassware Co., Ltd.**,
Changhua Hsien (TW)

DESCRIPTION

(**) Term: **14 Years**

FIG. 1 is a perspective view of a spigot, showing my new design;

(21) Appl. No.: **29/326,059**

FIG. 2 is a front view thereof;

(22) Filed: **Oct. 10, 2008**

FIG. 3 is a rear view thereof;

(51) **LOC (9) Cl.** **23-02**

FIG. 4 is a left side view thereof;

(52) **U.S. Cl.** **D23/238**

FIG. 5 is a right side view thereof;

(58) **Field of Classification Search** D23/238,
D23/241–243, 255–257; 4/675–678; 137/801,
137/359; D8/350–353; D6/550

FIG. 6 is a top view thereof;

See application file for complete search history.

FIG. 7 is a bottom view thereof;

(56) **References Cited**

FIG. 8 is a rear view showing an alternate position of use of the claimed design, wherein the broken lines are shown for illustrative purposes only and form no part of the claimed design;

U.S. PATENT DOCUMENTS

FIG. 9 is a perspective view showing an alternate position of use of the claimed design, wherein the broken lines are shown for illustrative purposes only and form no part of the claimed design;

D290,645 S *	6/1987	Paul	D23/255
D512,125 S *	11/2005	Kulig	D23/238
D528,640 S *	9/2006	Yoshioka	D23/255
D534,992 S *	1/2007	Lobermeier et al.	D23/243
D541,380 S *	4/2007	Kikuchi	D23/238
D568,443 S *	5/2008	Urquiola	D23/240
D589,121 S *	3/2009	McKeone	D23/238

FIG. 10 is a perspective view showing an alternate position of use of the claimed design, wherein the broken lines are shown for illustrative purposes only and form no part of the claimed design; and,

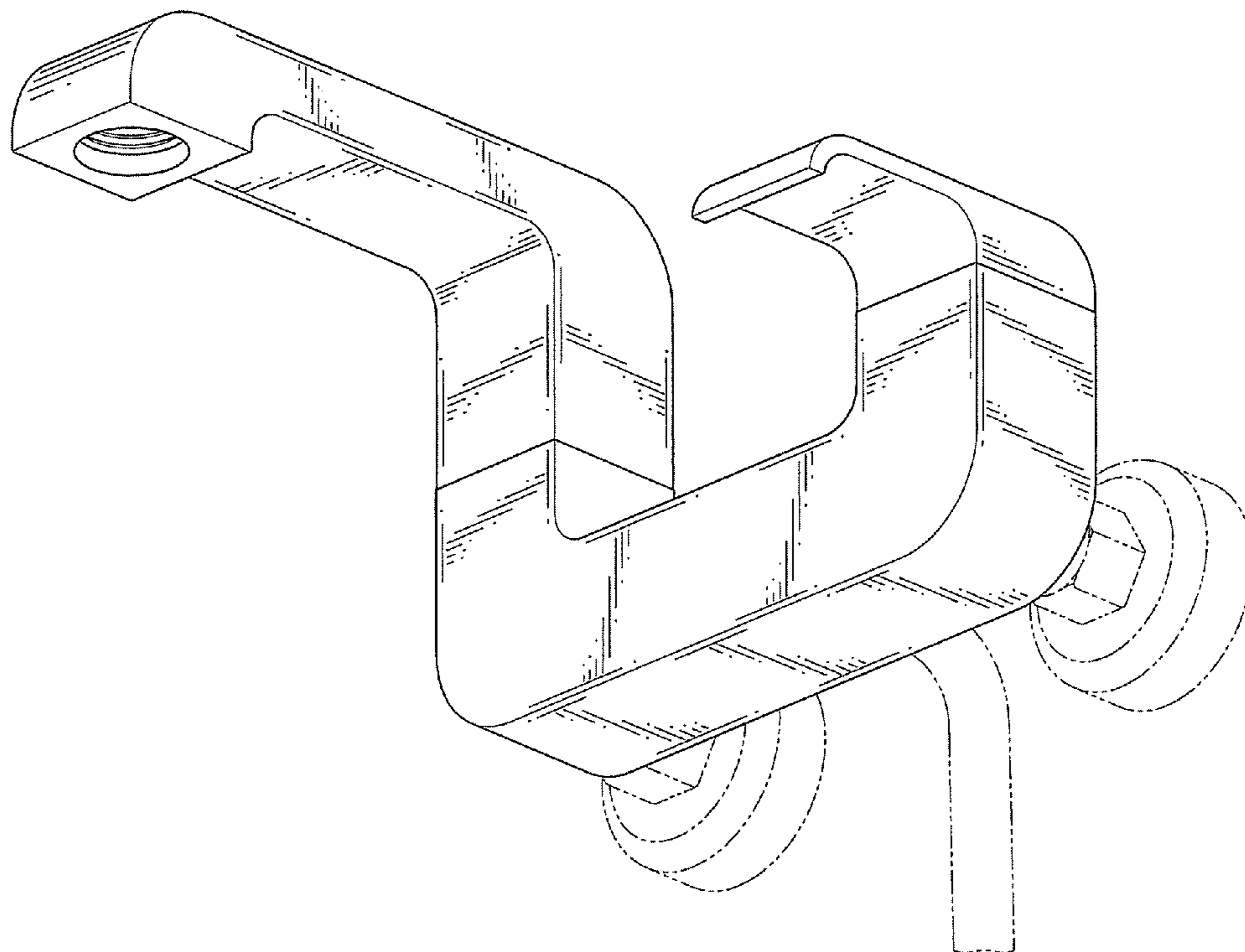
* cited by examiner

FIG. 11 is a perspective view showing an alternate position of use of the claimed design, wherein the broken lines are shown for illustrative purposes only and form no part of the claimed design.

Primary Examiner—Robert A Delehanty

(74) *Attorney, Agent, or Firm*—Burr & Brown

1 Claim, 8 Drawing Sheets



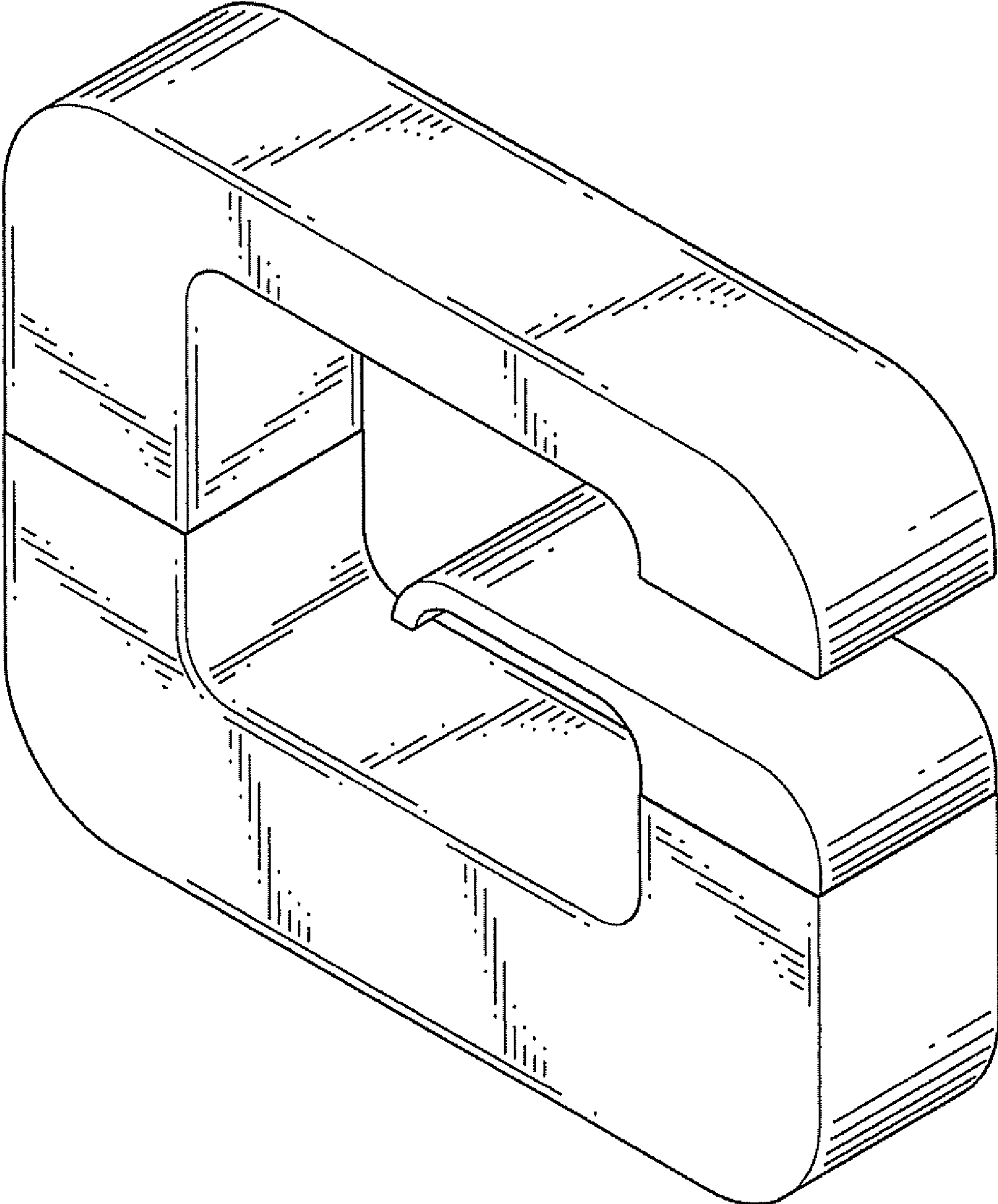


FIG. 1

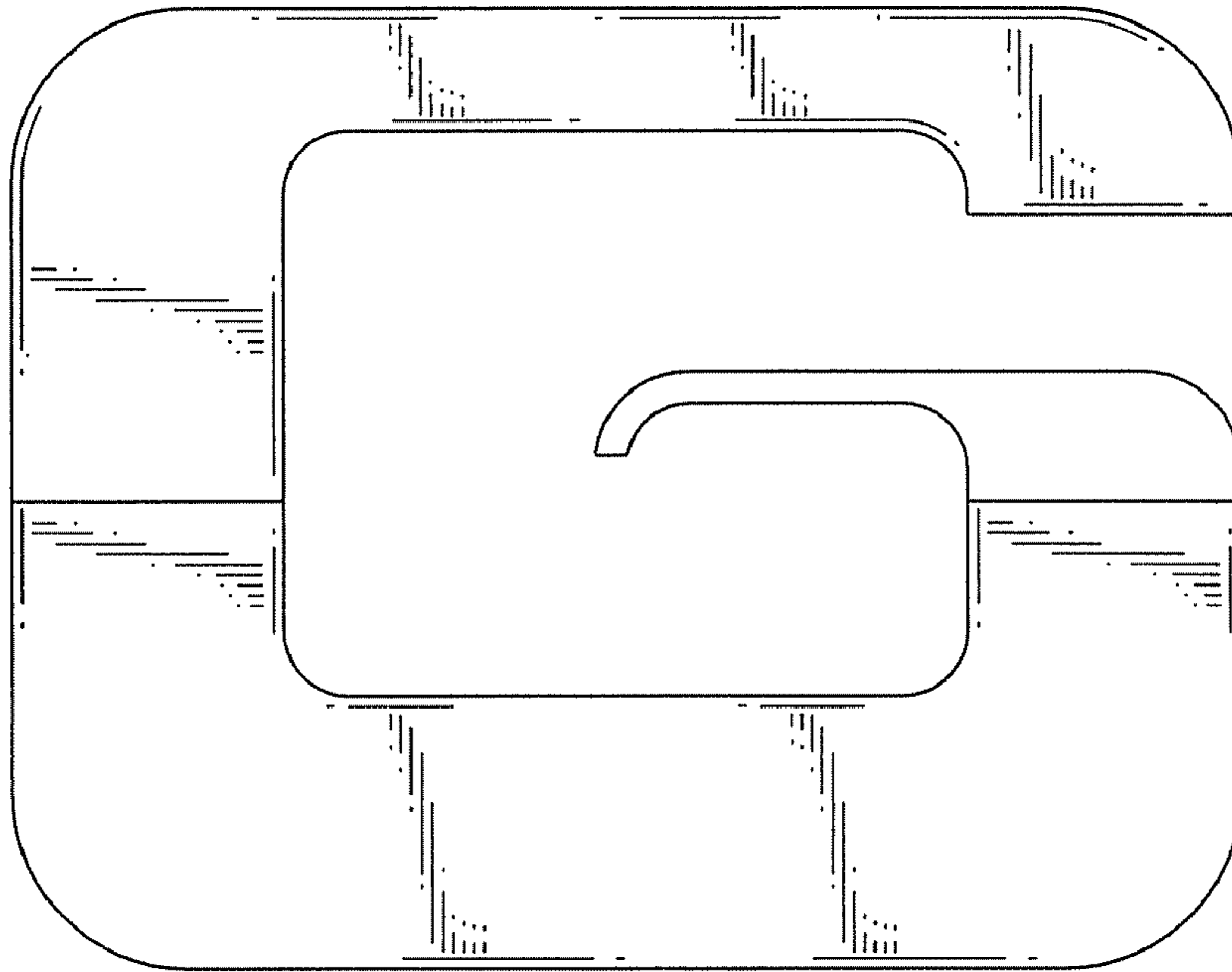


FIG.2

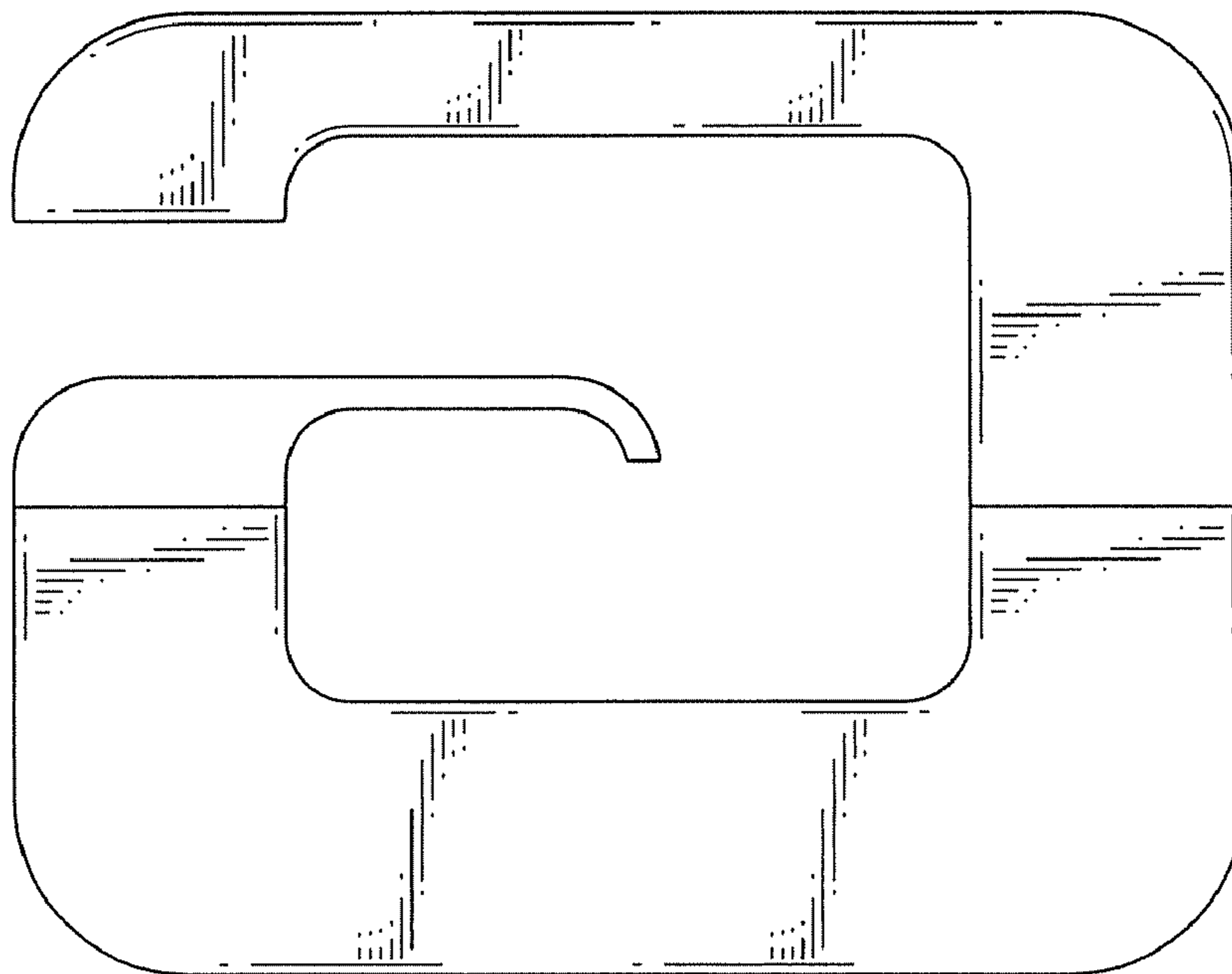


FIG.3

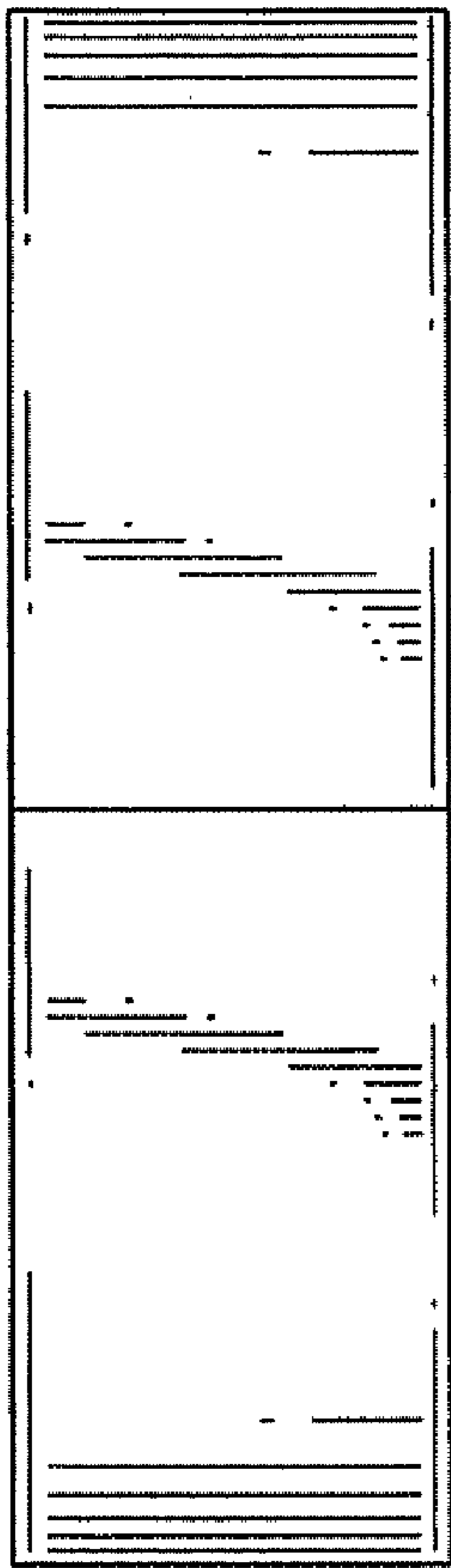


FIG.4

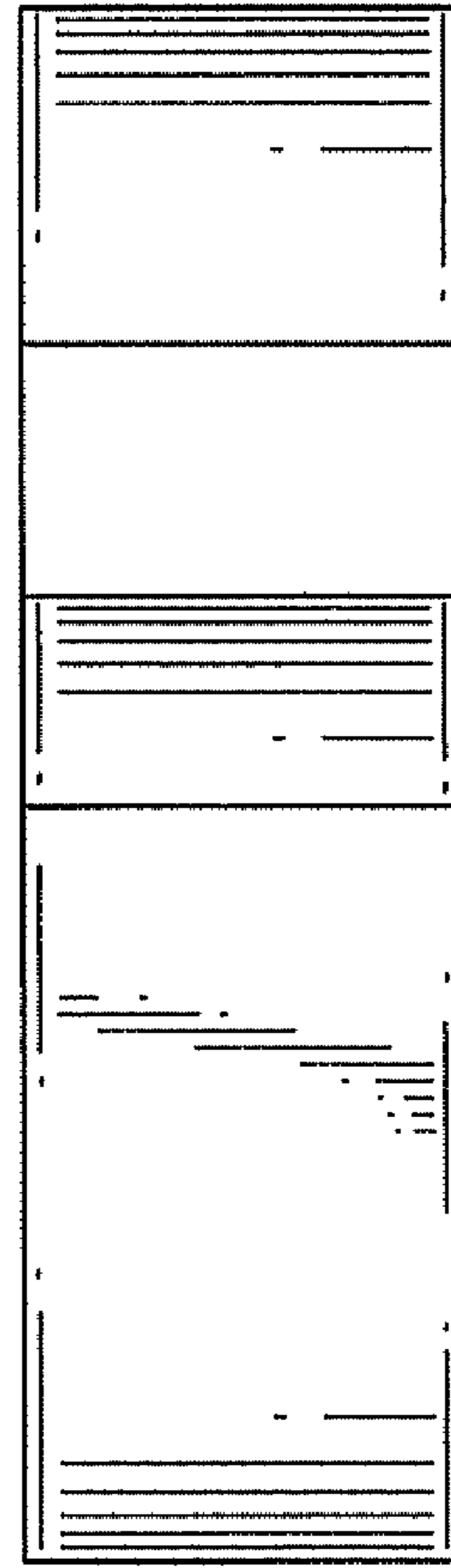


FIG.5

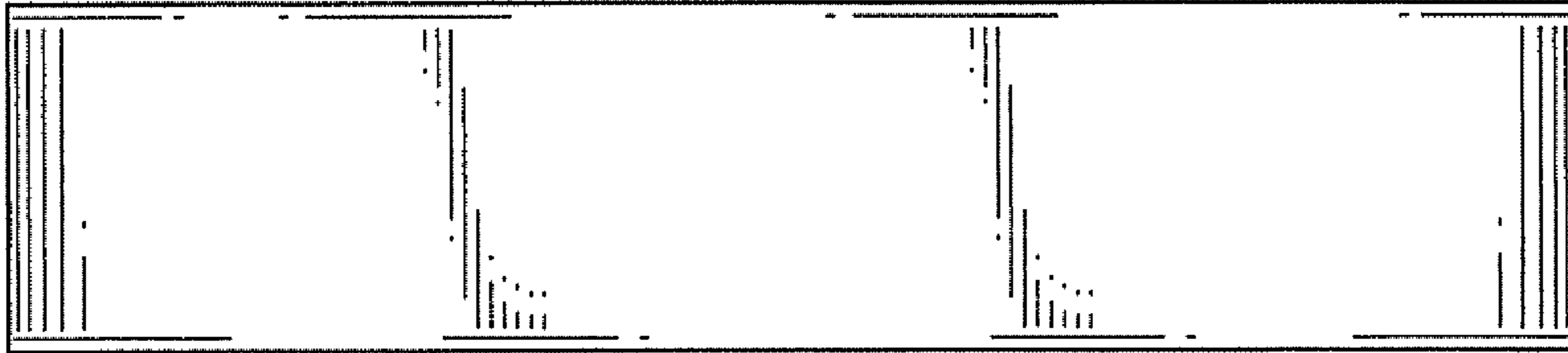


FIG. 6

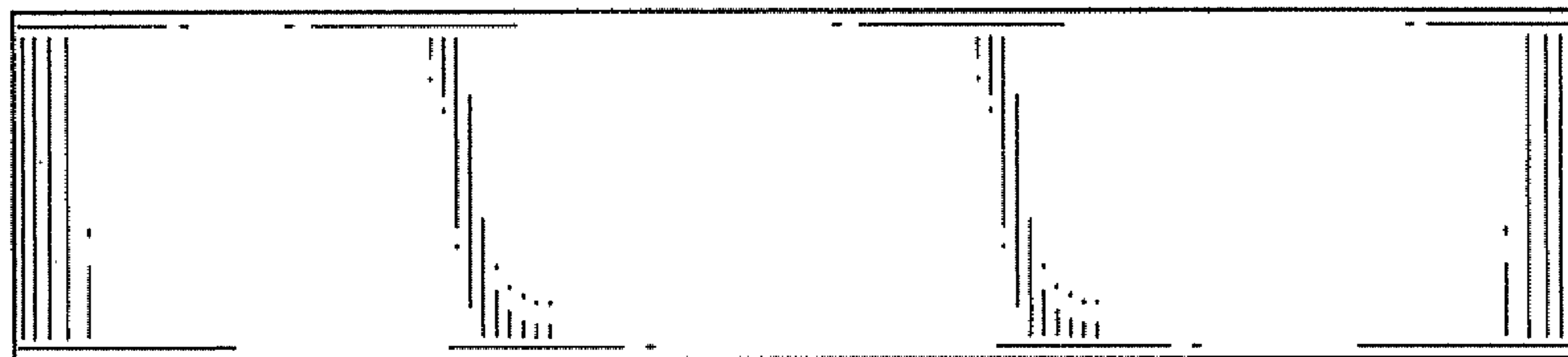


FIG. 7

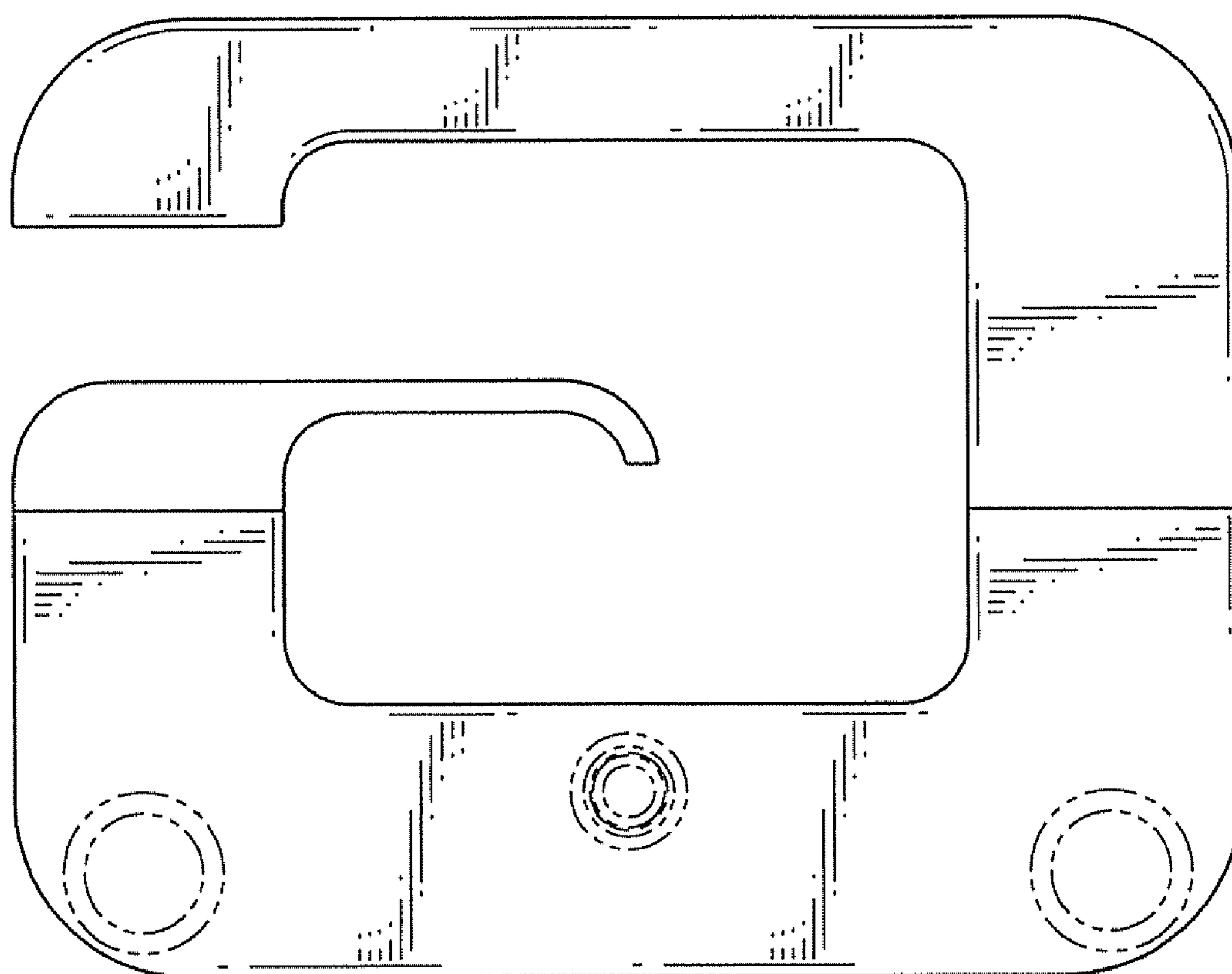


FIG. 8

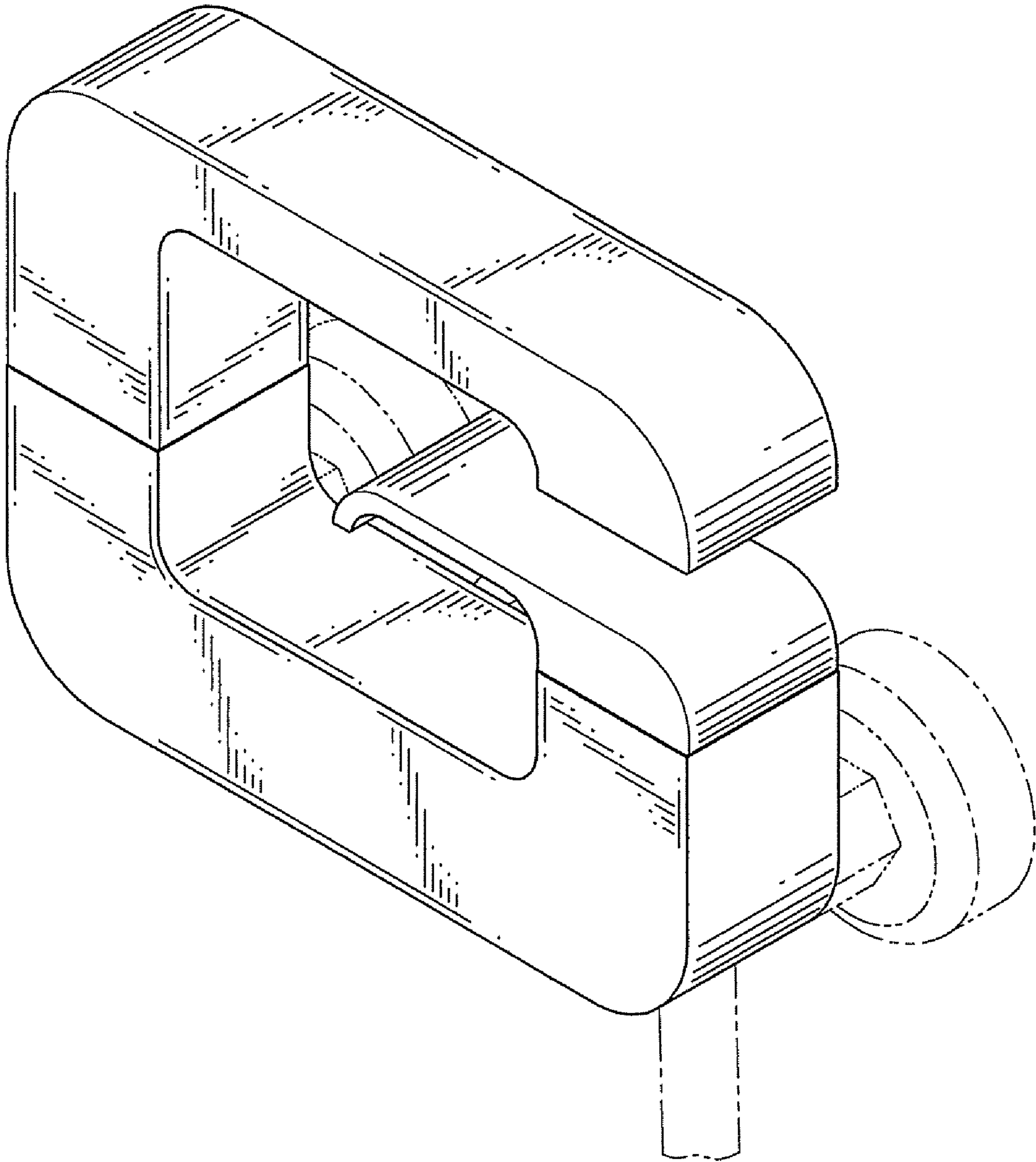


FIG. 9

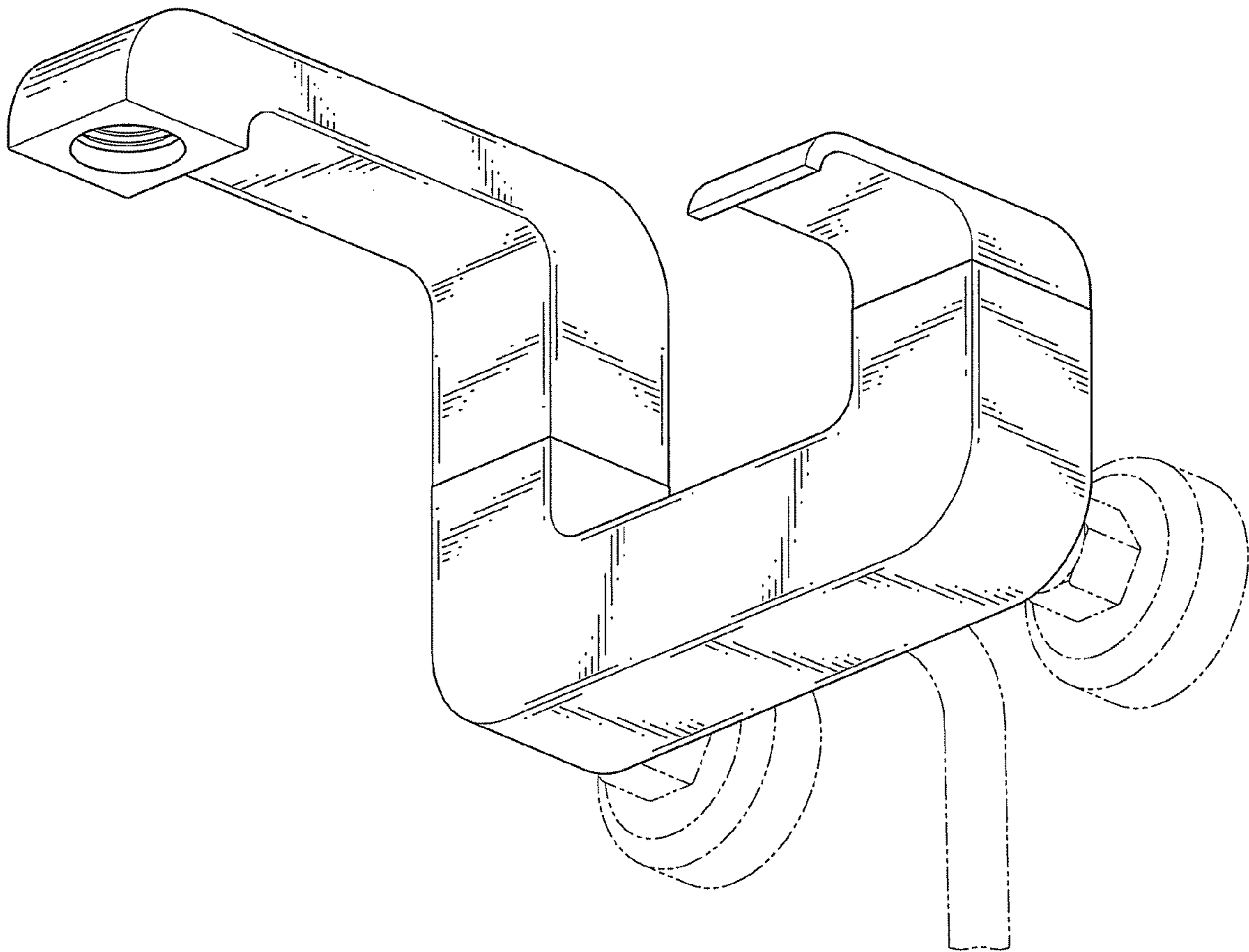


FIG. 10

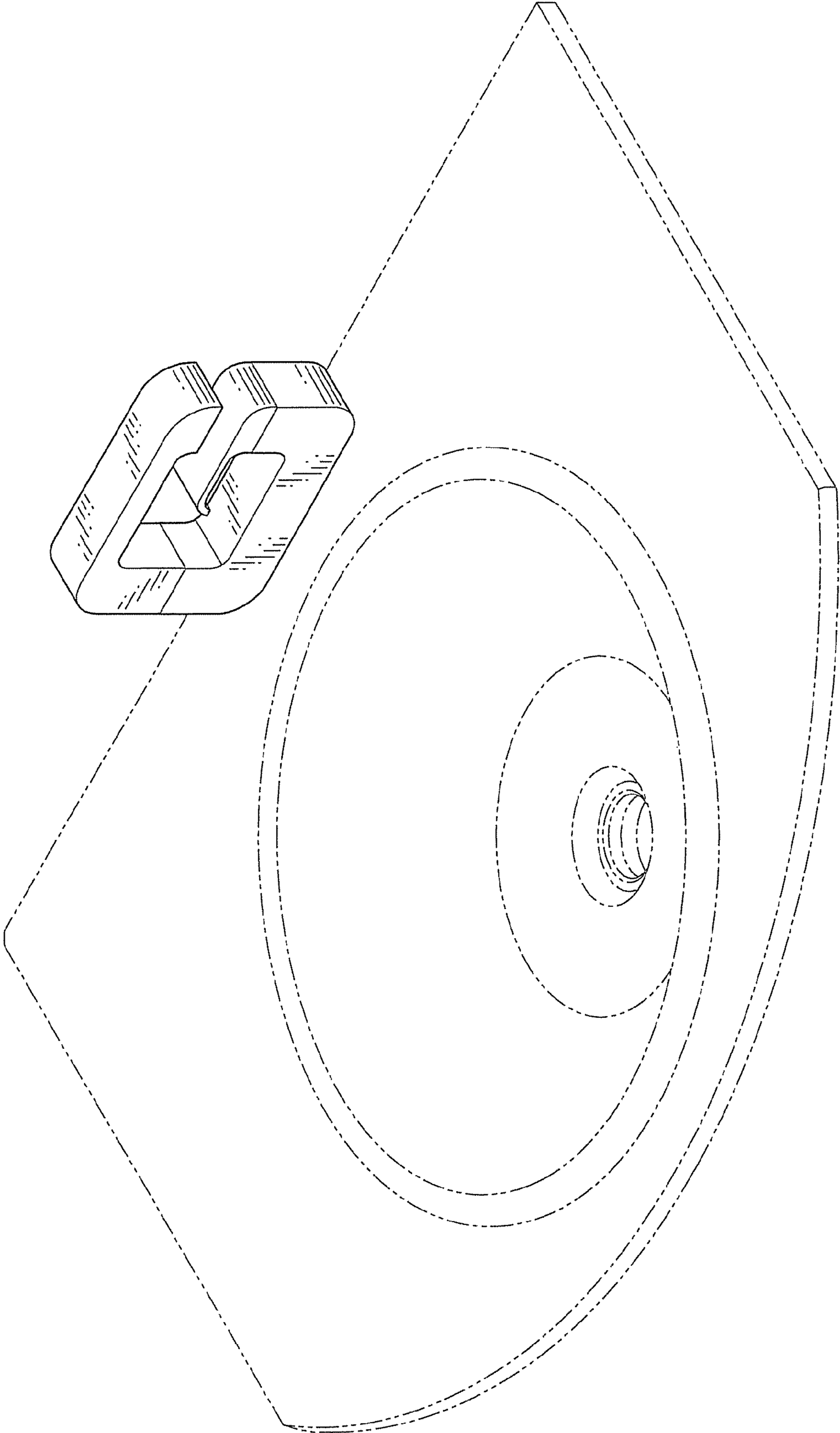


FIG.11