



US00D614731S

(12) **United States Design Patent**  
**Wang**

(10) **Patent No.:** **US D614,731 S**

(45) **Date of Patent:** **\*\* \*Apr. 27, 2010**

(54) **PAINT GUN**

(76) **Inventor:** **Hsing-Tzu Wang**, No. 80, Ta-Hsin St.,  
Hsi Dist., Taichung City (TW)

(\*) **Notice:** This patent is subject to a terminal disclaimer.

(\*\*) **Term:** **14 Years**

(21) **Appl. No.:** **29/336,522**

(22) **Filed:** **May 5, 2009**

(51) **LOC (9) Cl.** ..... **23-01**

(52) **U.S. Cl.** ..... **D23/226**

(58) **Field of Classification Search** ..... D23/213,  
D23/223, 226, 229-230; 239/600-601, DIG. 14,  
239/525-526

See application file for complete search history.

(56) **References Cited**

**U.S. PATENT DOCUMENTS**

D548,816 S \* 8/2007 Schmon et al. .... D23/226  
D552,715 S \* 10/2007 Schmon et al. .... D23/226

D563,505 S \* 3/2008 Schmon et al. .... D23/226  
D570,448 S \* 6/2008 Wang ..... D23/226  
D575,374 S \* 8/2008 Huang ..... D23/226  
D583,013 S \* 12/2008 Wang ..... D23/226

\* cited by examiner

*Primary Examiner*—Robin V Webster

(74) *Attorney, Agent, or Firm*—Shook, Hardy & Bacon LLP

(57) **CLAIM**

The ornamental design for paint gun, as shown and described.

**DESCRIPTION**

FIG. 1 is a perspective view of paint gun showing my new design;

FIG. 2 is a front elevational view thereof;

FIG. 3 is a rear elevational view thereof;

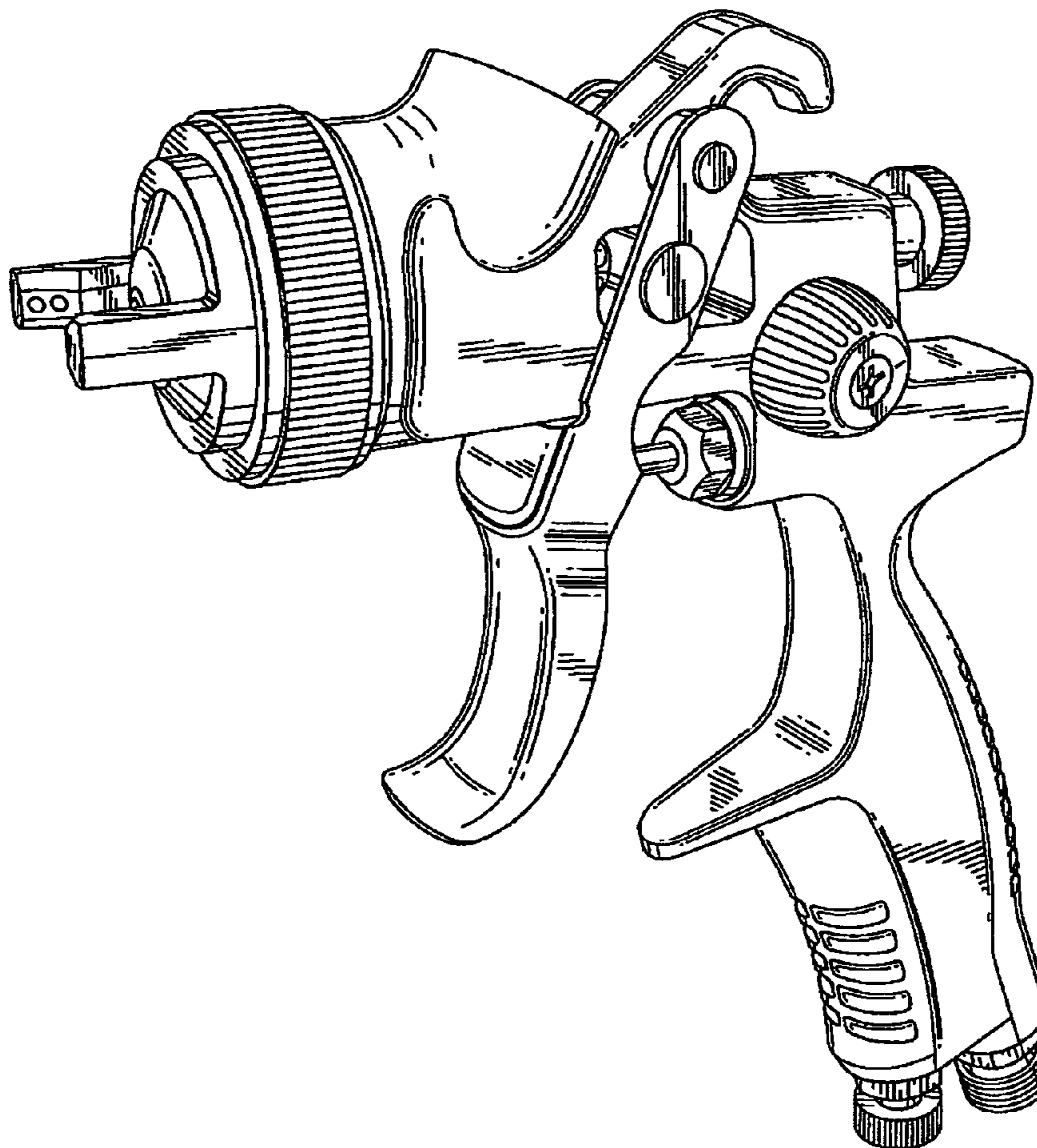
FIG. 4 is a left side elevational view thereof;

FIG. 5 is a right side elevational view thereof;

FIG. 6 is a top plan view thereof; and,

FIG. 7 is a bottom plan view thereof.

**1 Claim, 6 Drawing Sheets**



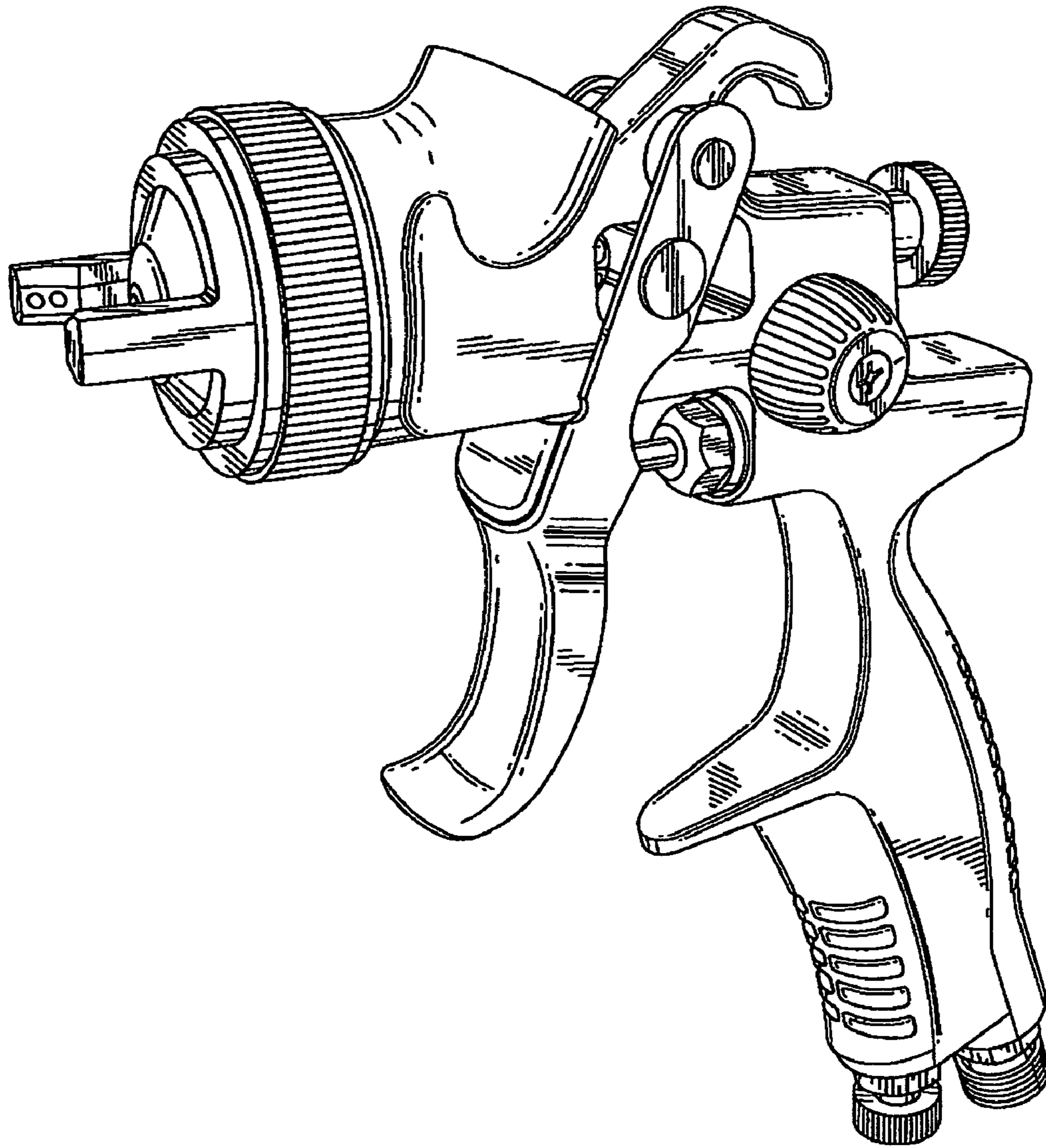


FIG. 1

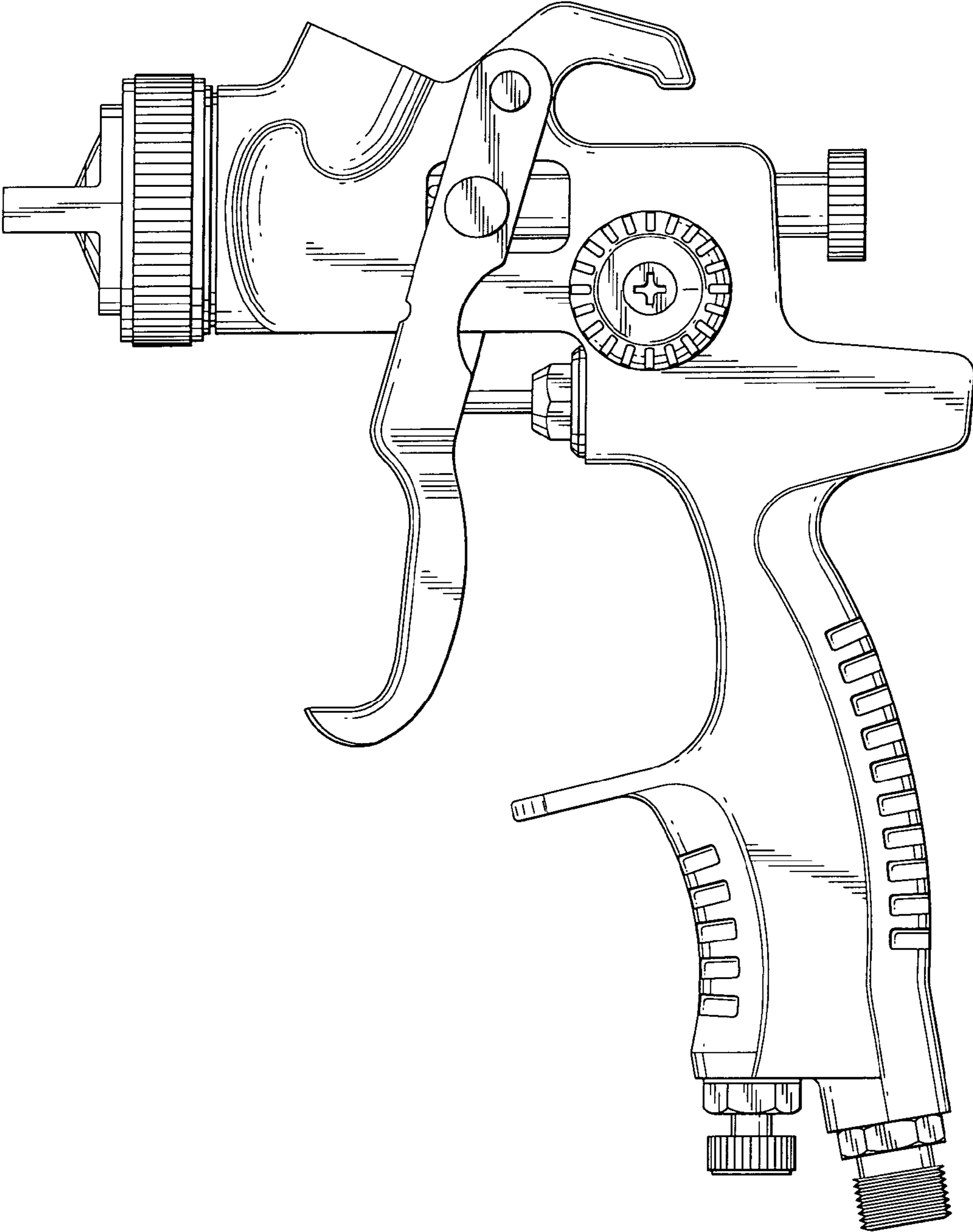


FIG. 2

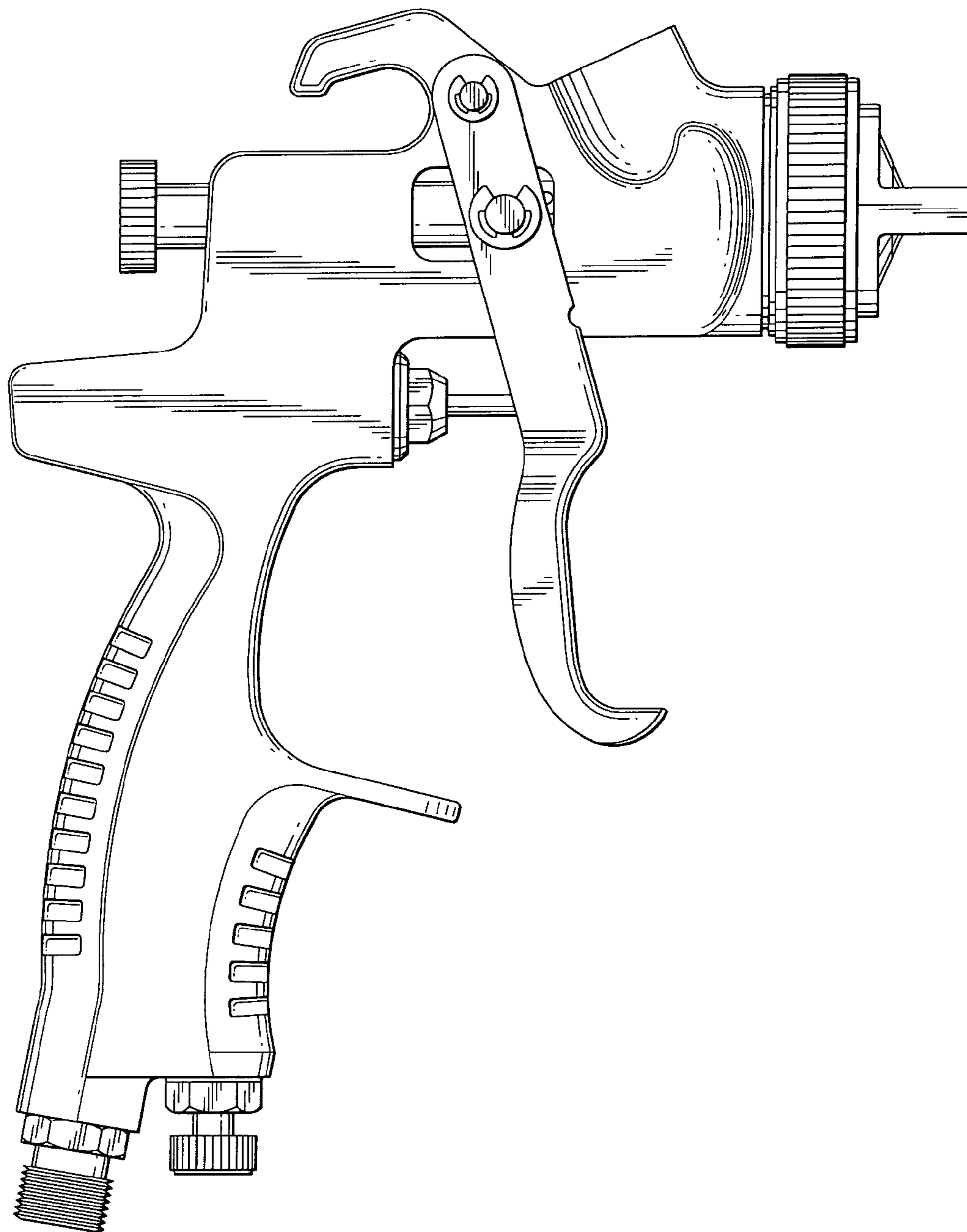


FIG. 3

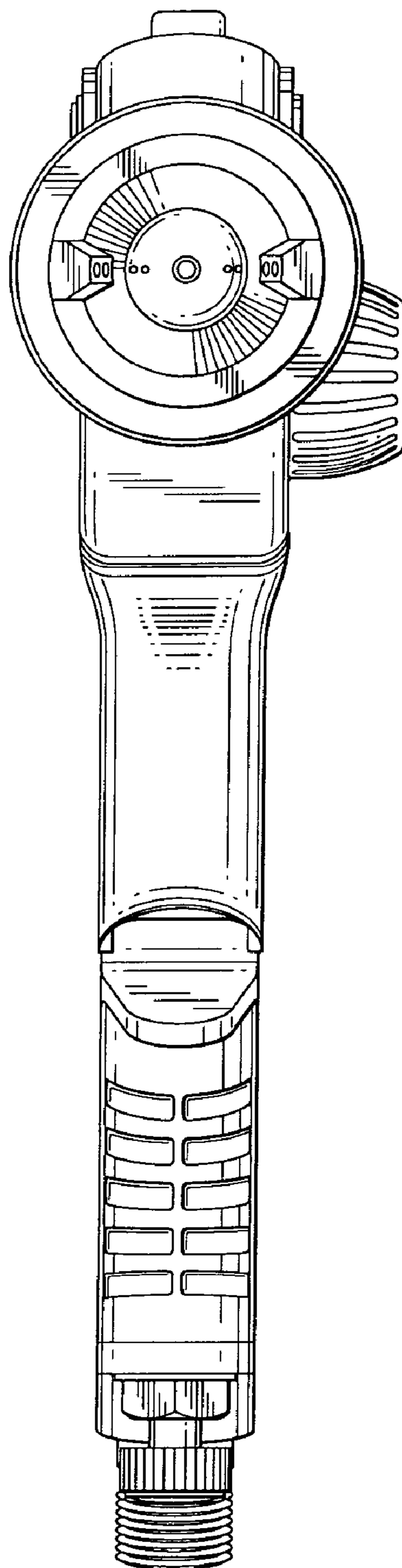


FIG. 4

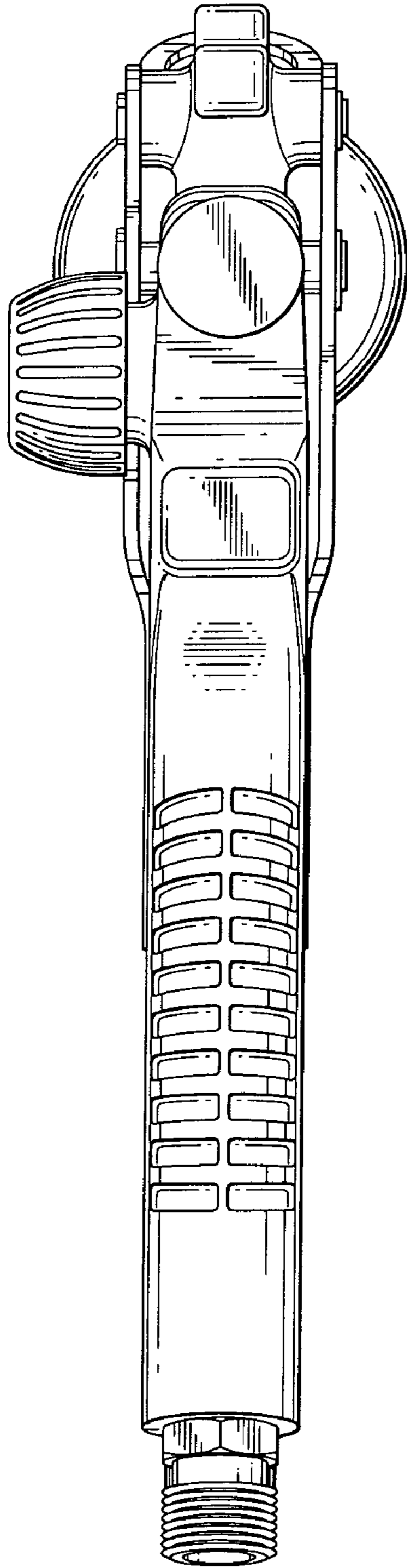


FIG. 5

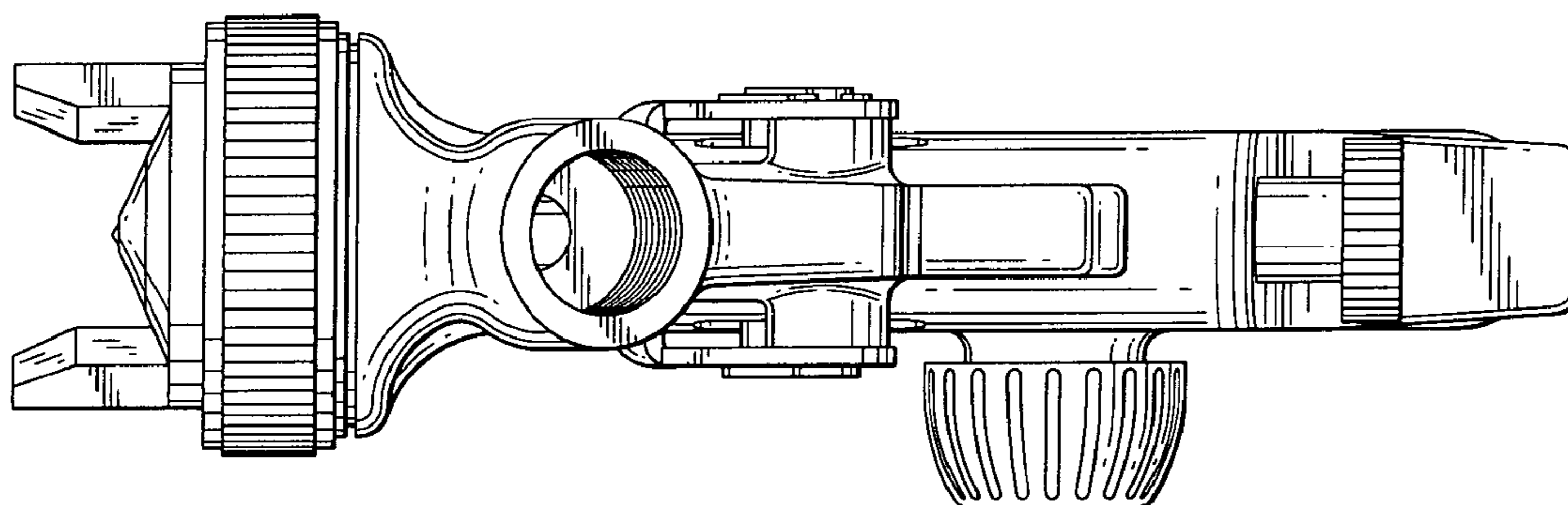


FIG. 6

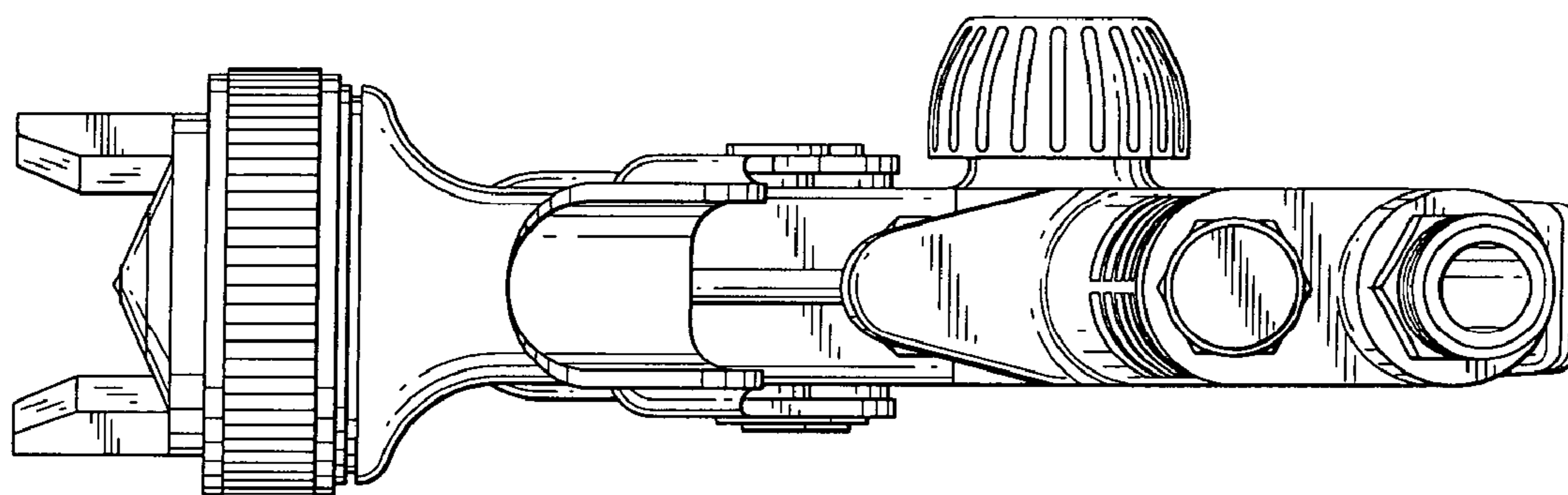


FIG. 7