



US00D614729S

(12) **United States Design Patent**  
**Cheng**

(10) **Patent No.:** **US D614,729 S**

(45) **Date of Patent:** **\*\* Apr. 27, 2010**

(54) **WATER SPRAY GUN**

*Primary Examiner*—Robin V Webster

(76) Inventor: **Chi-Han Cheng**, P.O. Box 215,  
Taichung (TW) 40099

(57) **CLAIM**

The ornamental design for a water spray gun, as shown and described.

(\*\*) Term: **14 Years**

(21) Appl. No.: **29/311,922**

**DESCRIPTION**

(22) Filed: **Jul. 31, 2009**

(51) **LOC (9) Cl.** ..... **23-01**

(52) **U.S. Cl.** ..... **D23/223**

(58) **Field of Classification Search** ..... D23/213,  
D23/223, 226; 239/525–527, 532  
See application file for complete search history.

FIG. 1 is a perspective view of a water spray gun of the design.  
FIG. 2 is a front elevational view of a water spray gun of the design.

FIG. 3 is a rear elevational view of a water spray gun of the design.

FIG. 4 is a left side elevational view of a water spray gun of the design.

FIG. 5 is a right side elevational view of a water spray gun of the design.

FIG. 6 is a top plan view of a water spray gun of the design; and,

FIG. 7 is a bottom plan view of a water spray gun of the design.

The broken line showing of the spray gun nozzle is included for the purpose of illustrating and forms no part of the claimed design.

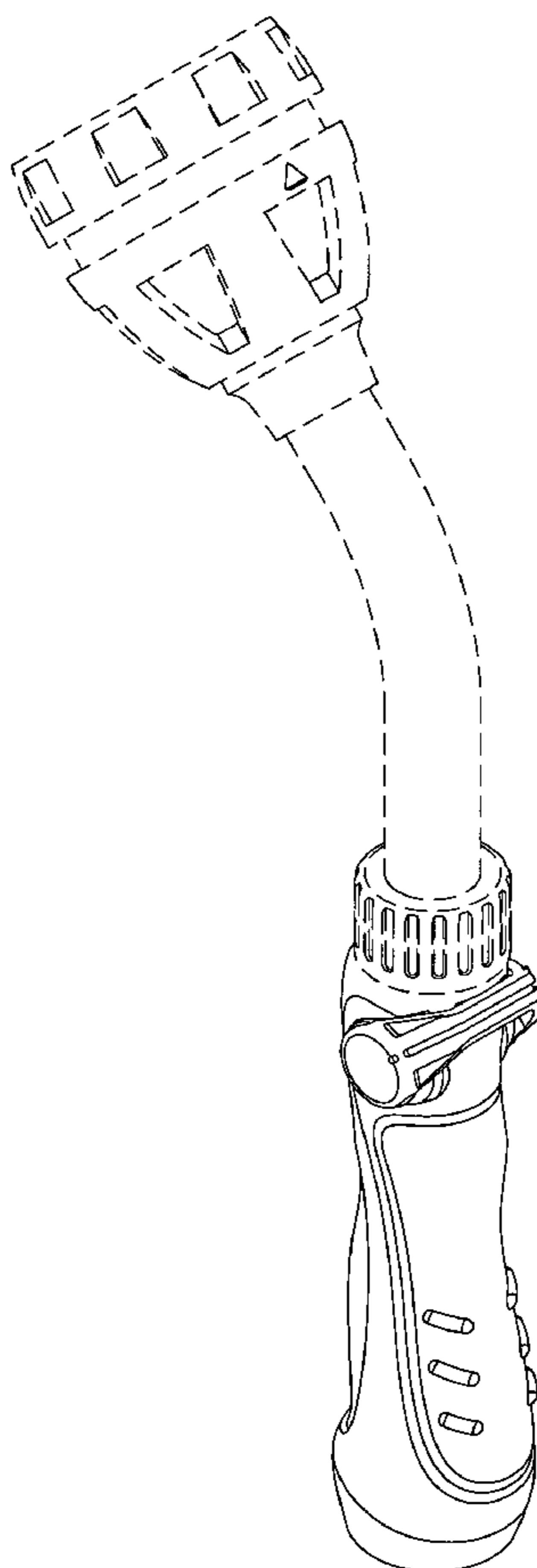
(56) **References Cited**

U.S. PATENT DOCUMENTS

D434,106 S *	11/2000	Hsin-Fa	.....	D23/223
D564,065 S *	3/2008	Yu	.....	D23/223
7,429,029 B2 *	9/2008	Wang	.....	251/309
D584,380 S *	1/2009	Cheng	.....	D23/223
D585,109 S *	1/2009	Cheng	.....	D23/223
D592,731 S *	5/2009	Hung	.....	D23/223
D604,390 S *	11/2009	Cheng	.....	D23/223

\* cited by examiner

**1 Claim, 7 Drawing Sheets**



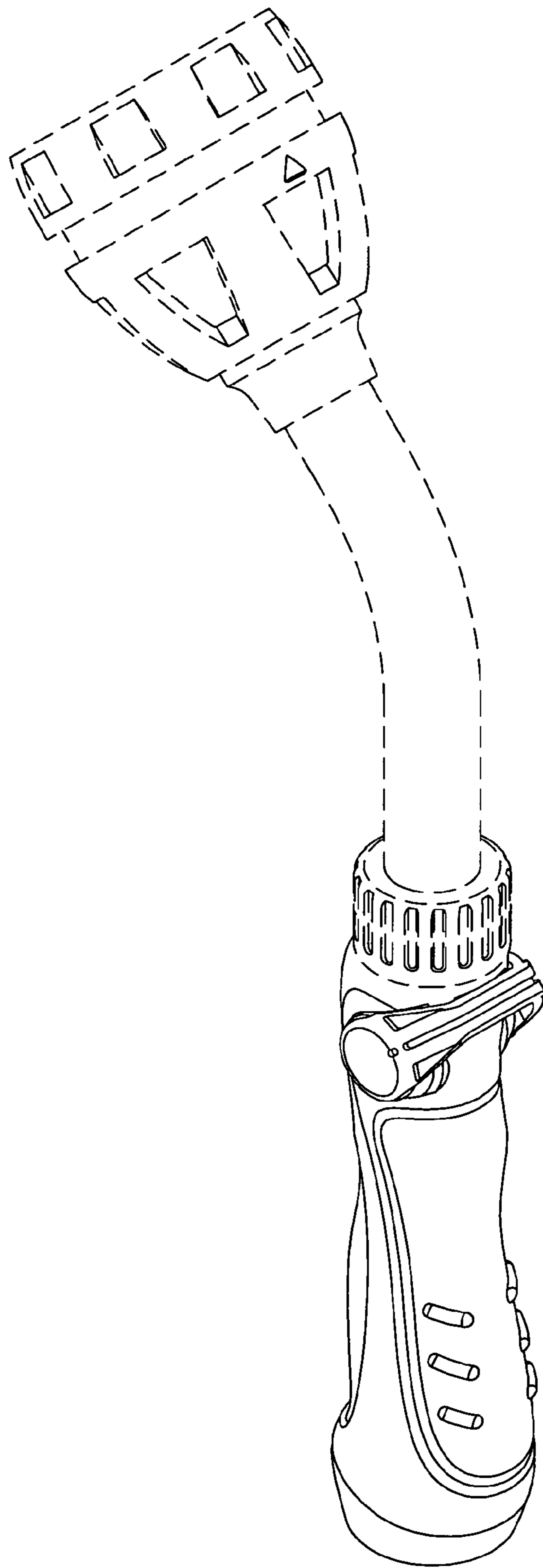


FIG 1

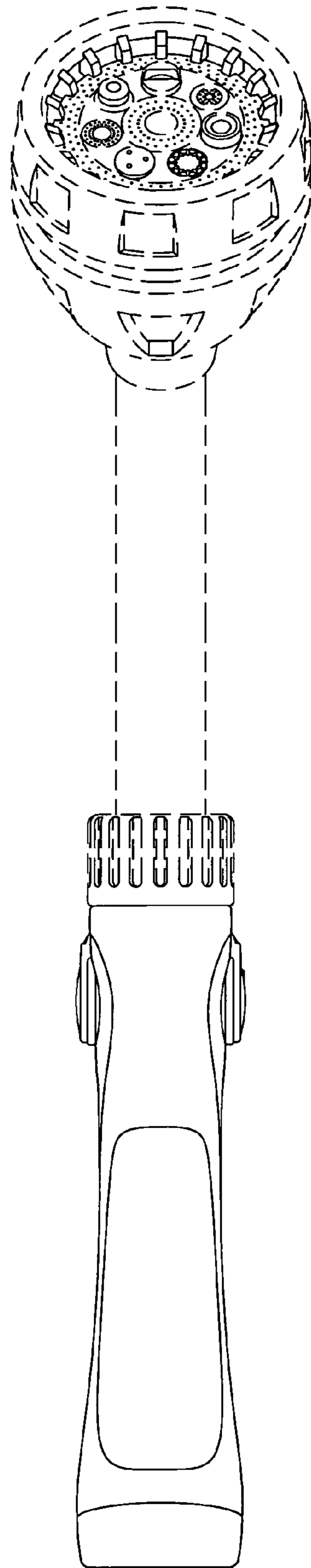


FIG 2

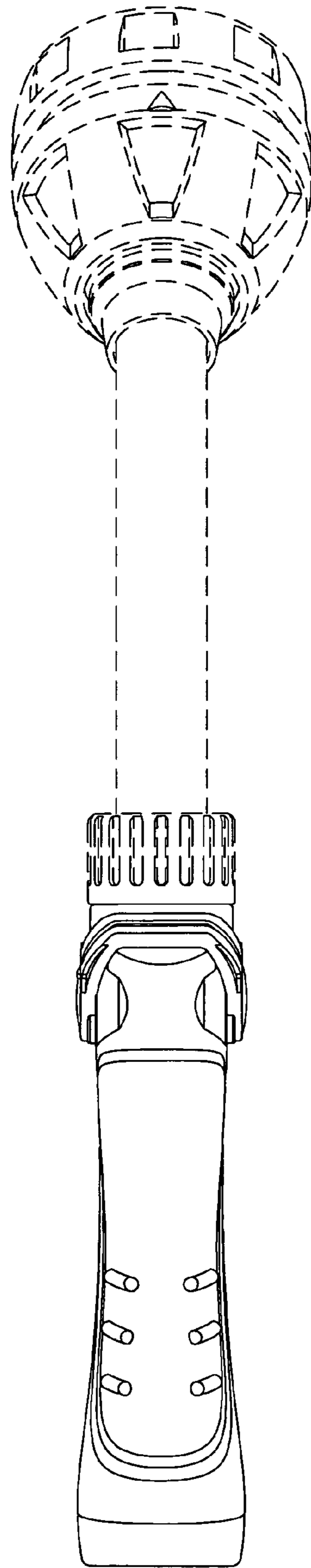


FIG 3

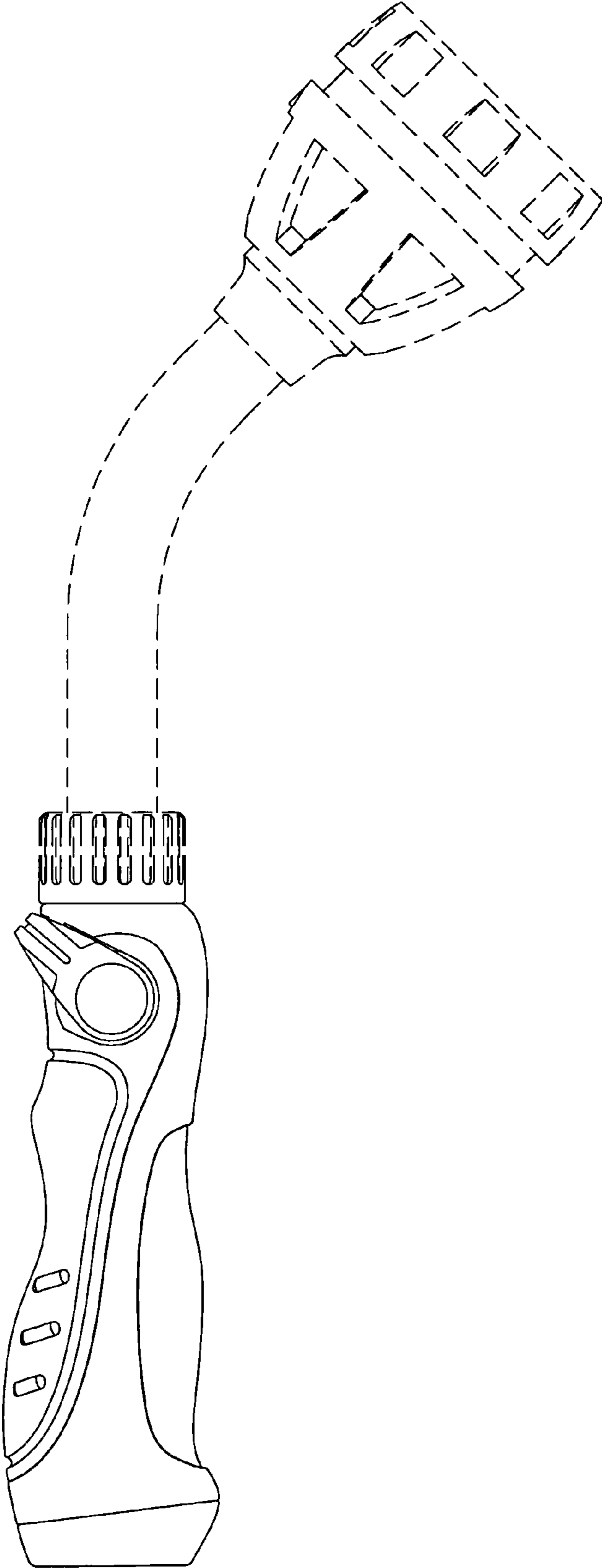


FIG 4

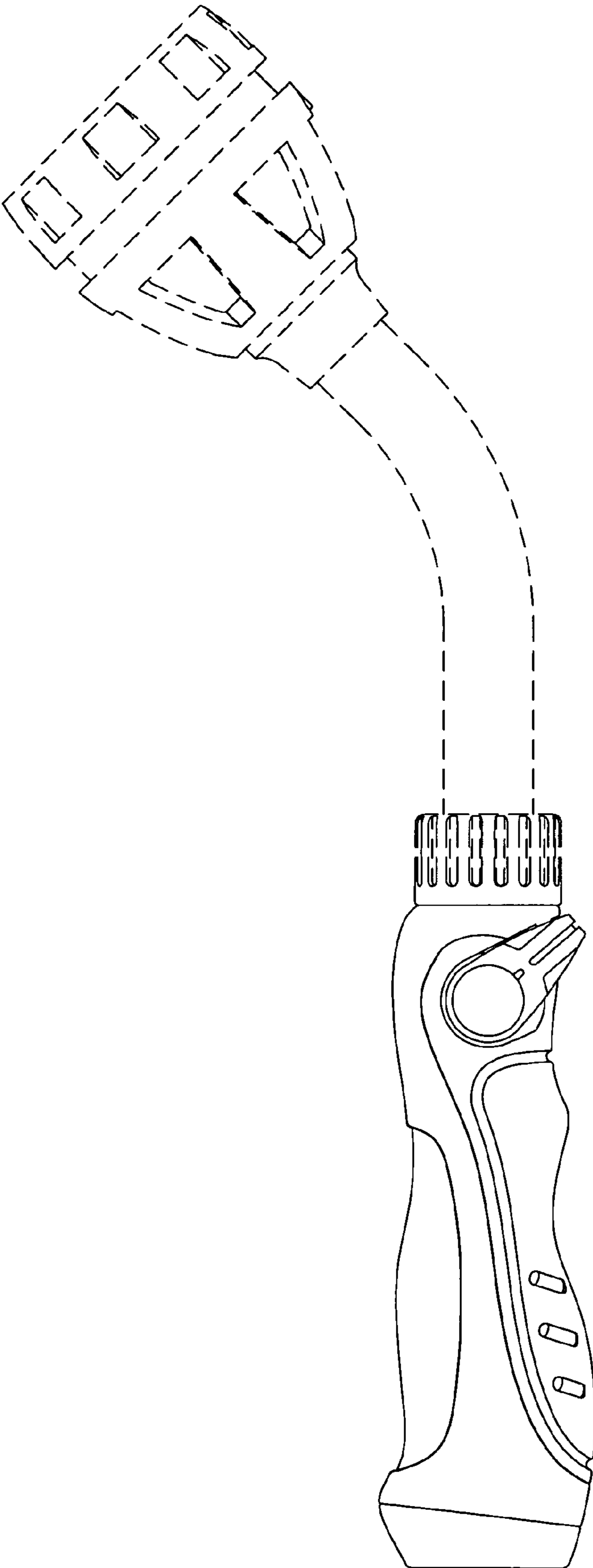


FIG 5

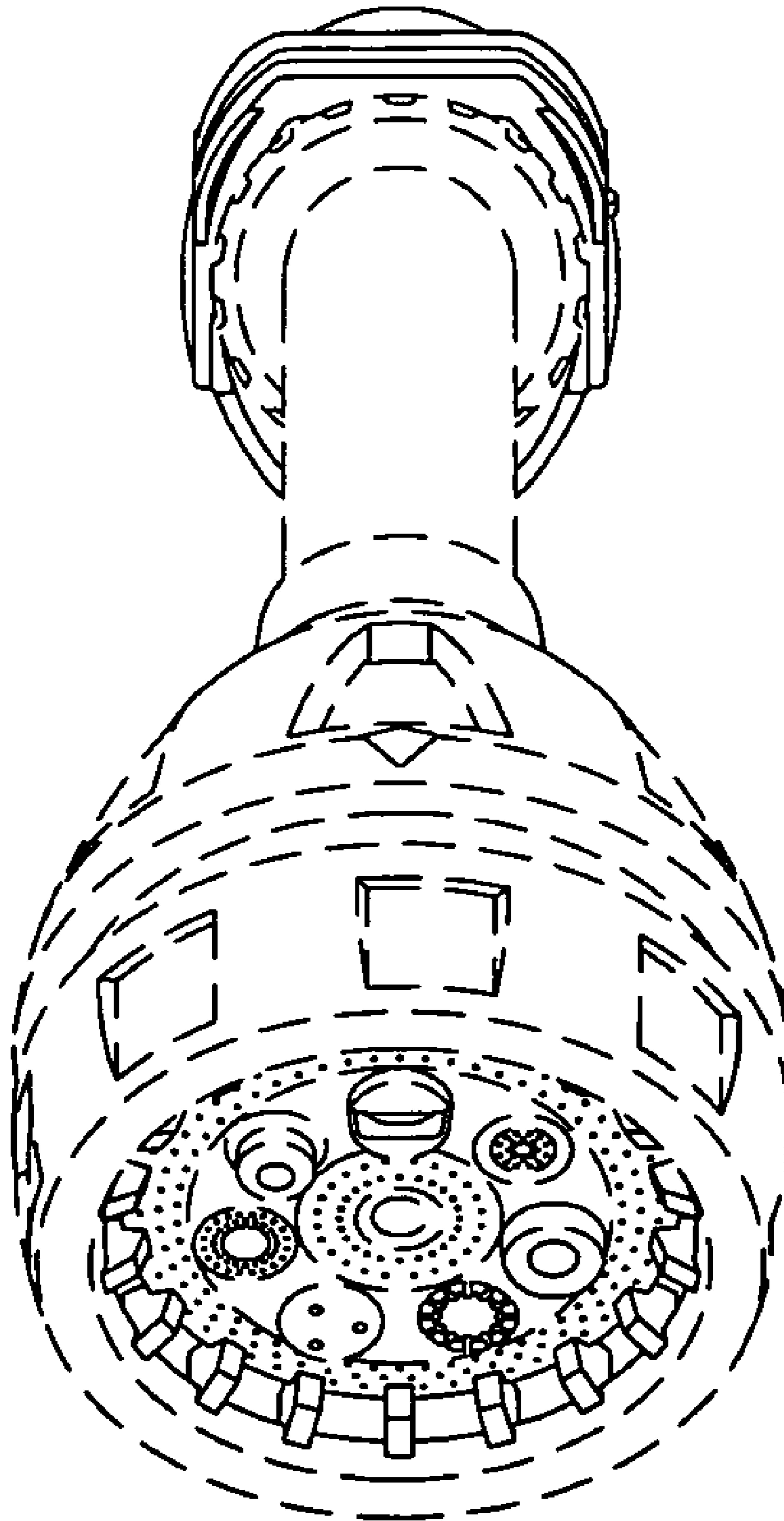


FIG 6

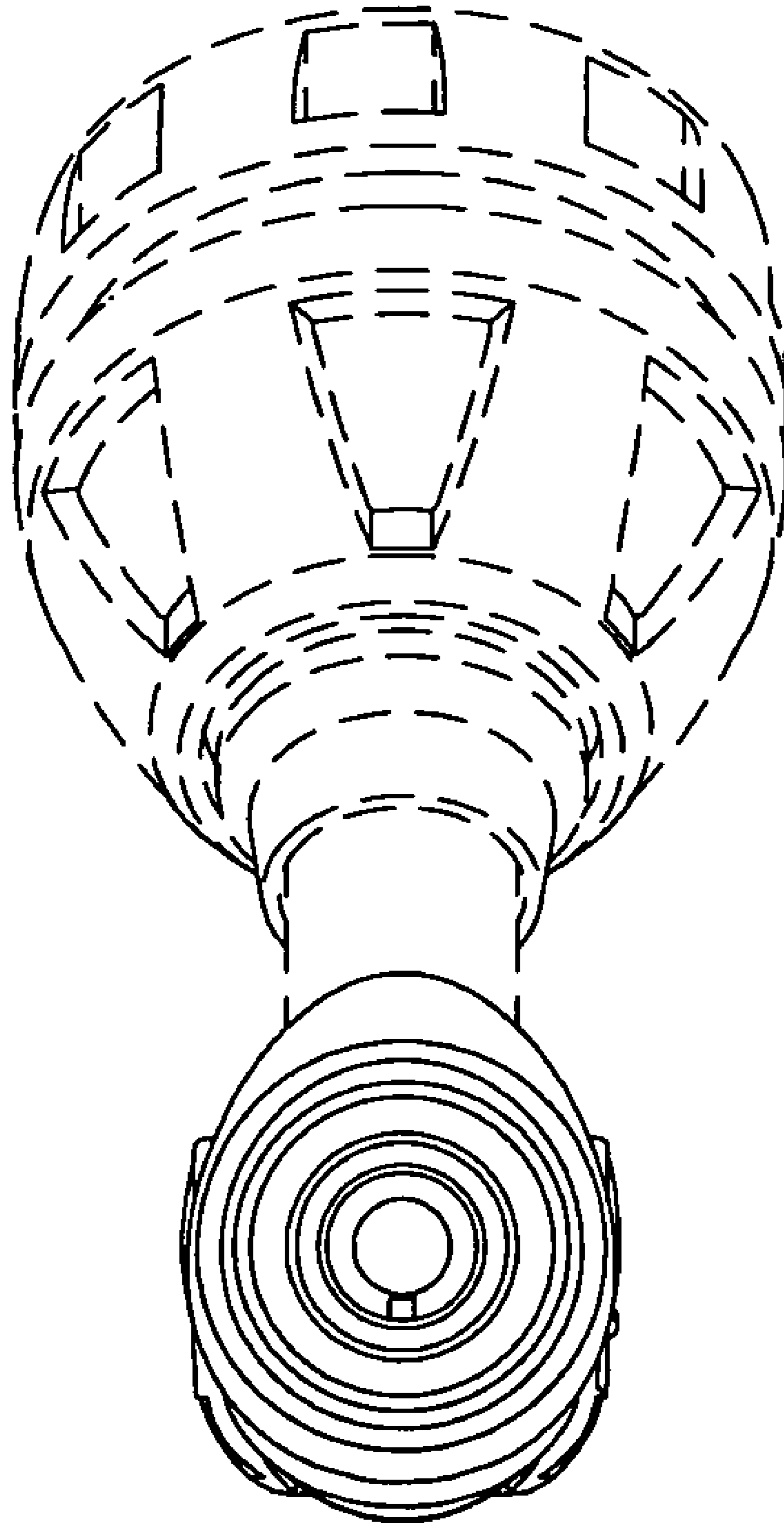


FIG 7