



US00D614725S

(12) **United States Design Patent**
James

(10) **Patent No.:** **US D614,725 S**
(45) **Date of Patent:** **** Apr. 27, 2010**

(54) **PEST ERADICATION DEVICE**

(76) Inventor: **David James**, 2242 Yorkshire St., Ft. Collins, CO (US) 80526

(**) Term: **14 Years**

(21) Appl. No.: **29/341,672**

(22) Filed: **Aug. 11, 2009**

(51) **LOC (9) Cl.** **22-06**

(52) **U.S. Cl.** **D22/119**

(58) **Field of Classification Search** D22/119-124;
43/58, 60-63, 74, 76, 81-83, 98, 105, 124,
43/131

See application file for complete search history.

(56) **References Cited**

U.S. PATENT DOCUMENTS

D274,546 S *	7/1984	Scarpelli	D22/119
4,873,785 A *	10/1989	Lai	43/61
6,834,460 B1 *	12/2004	Liu	43/61
7,370,451 B2 *	5/2008	Rich et al.	43/61
7,540,109 B2 *	6/2009	Hall	43/61

* cited by examiner

Primary Examiner—Catherine R Oliver
(74) *Attorney, Agent, or Firm*—Russell S. Krajec; Krajec Patent Offices, LLC

(57) **CLAIM**

The ornamental design for a pest eradication device, as shown and described.

DESCRIPTION

FIG. 1 is an isometric view of a pest eradication device showing my new design in a collapsed state.

FIG. 2 is an isometric view of the pest eradication device shown in an open state.

FIG. 3 is a top view of the pest eradication device.

FIG. 4 is a front view of the pest eradication device.

FIG. 5 is a right side view of the pest eradication device.

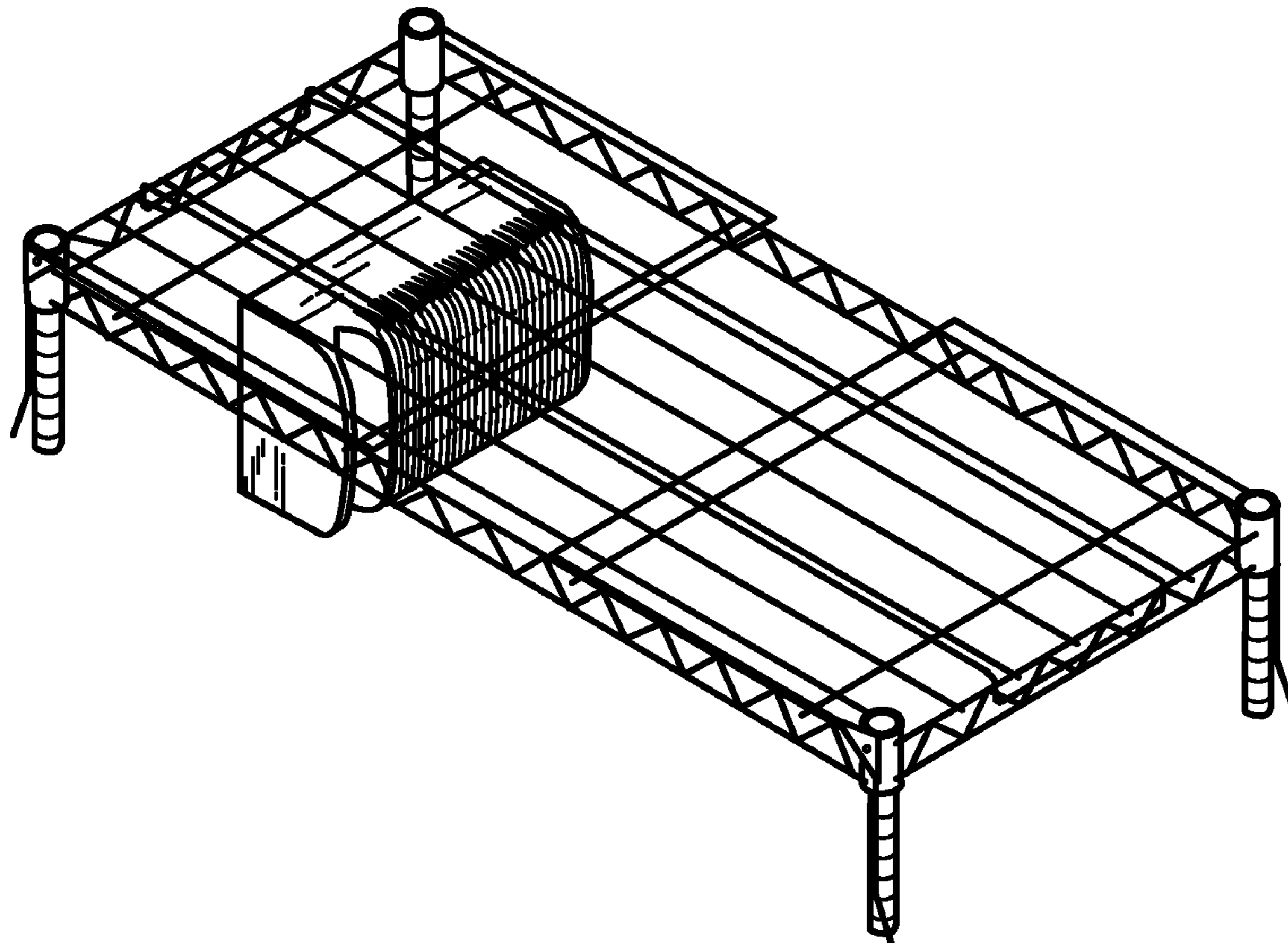
FIG. 6 is a left side view of the pest eradication device.

FIG. 7 is a rear view of the pest eradication device; and,

FIG. 8 is a bottom view of the pest eradication device.

The broken lines are for illustrative purposes only and form no part of the claimed design.

1 Claim, 8 Drawing Sheets



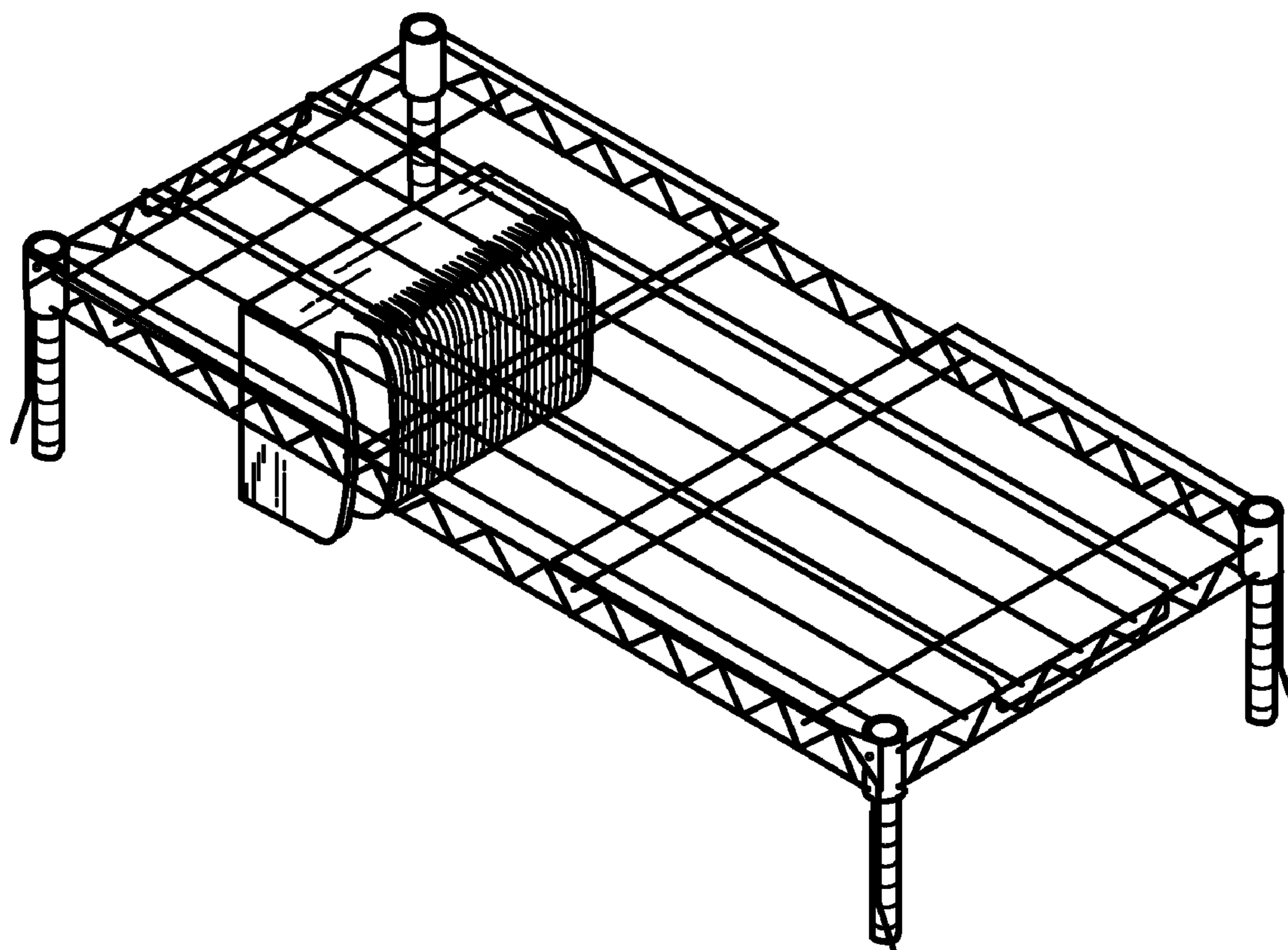


FIG. 1

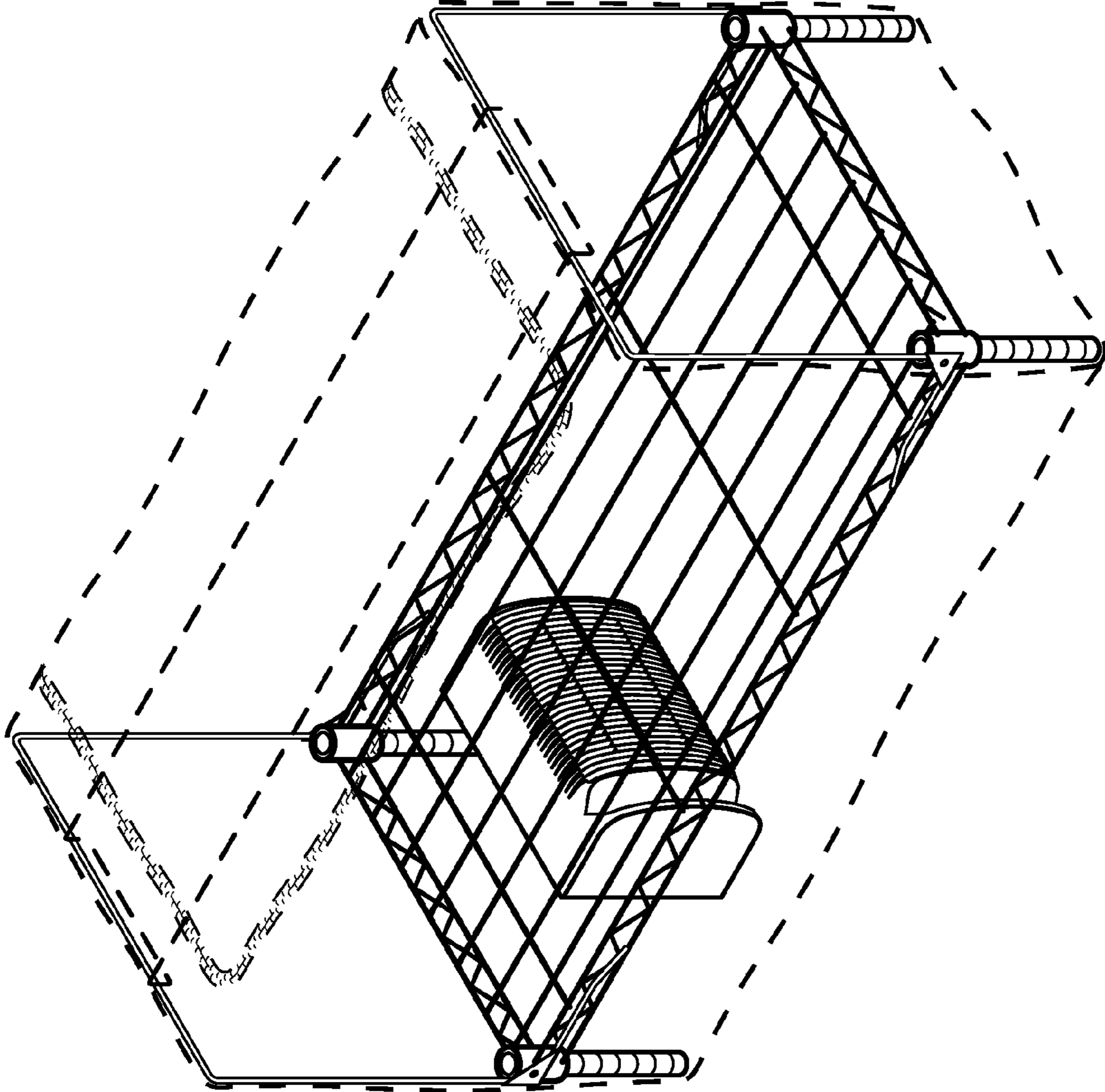


FIG. 2

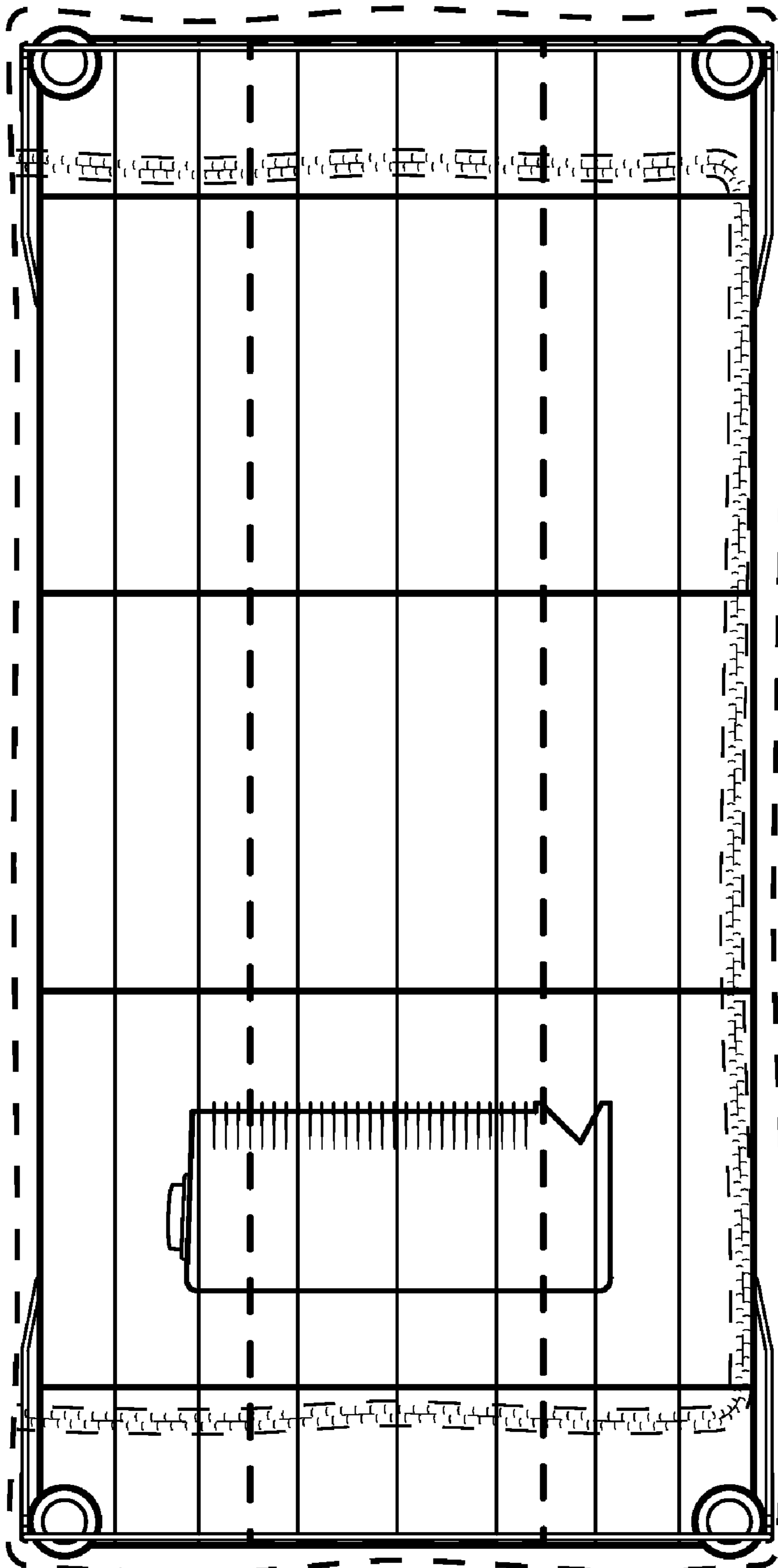


FIG. 3

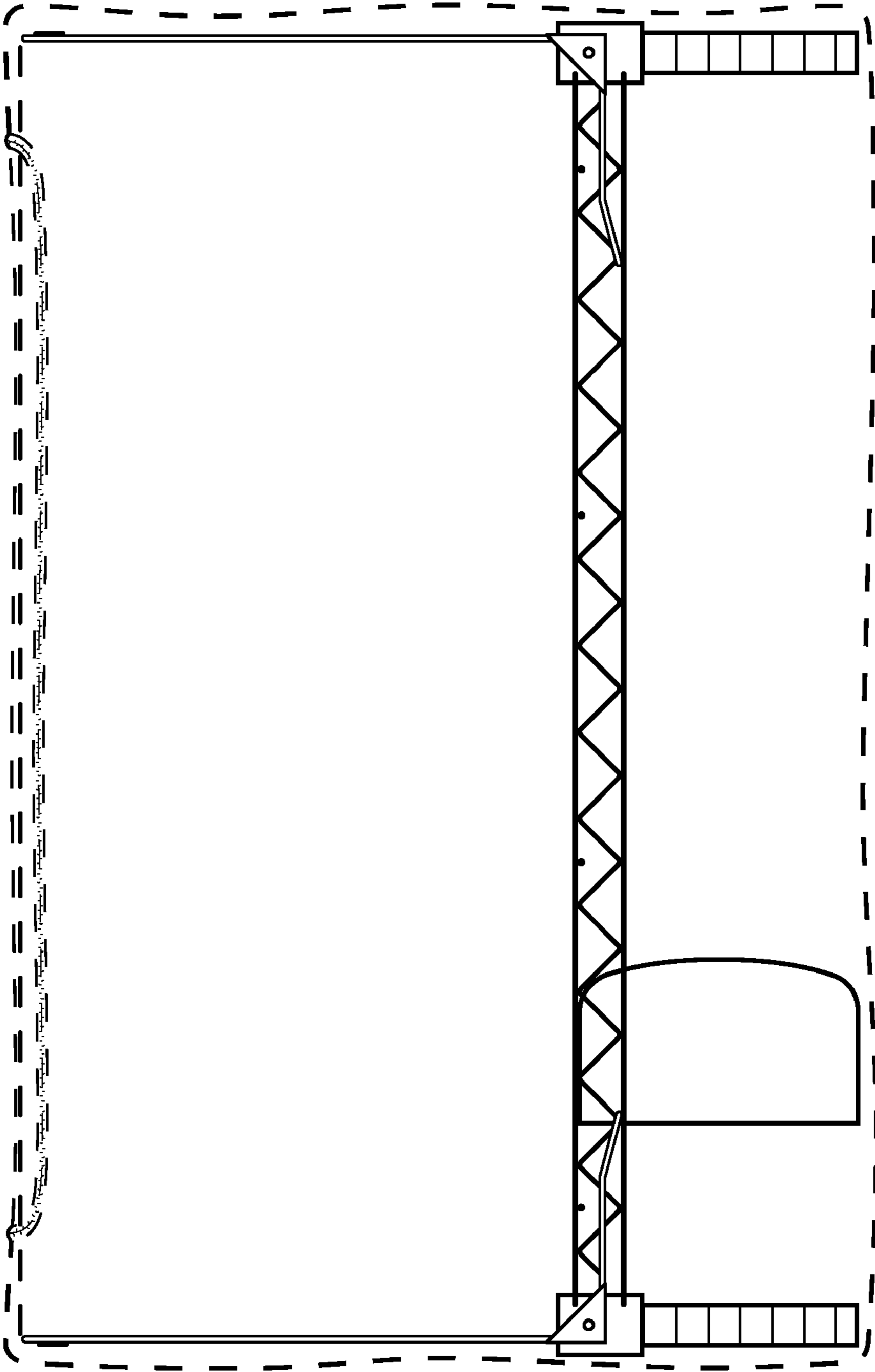


FIG. 4

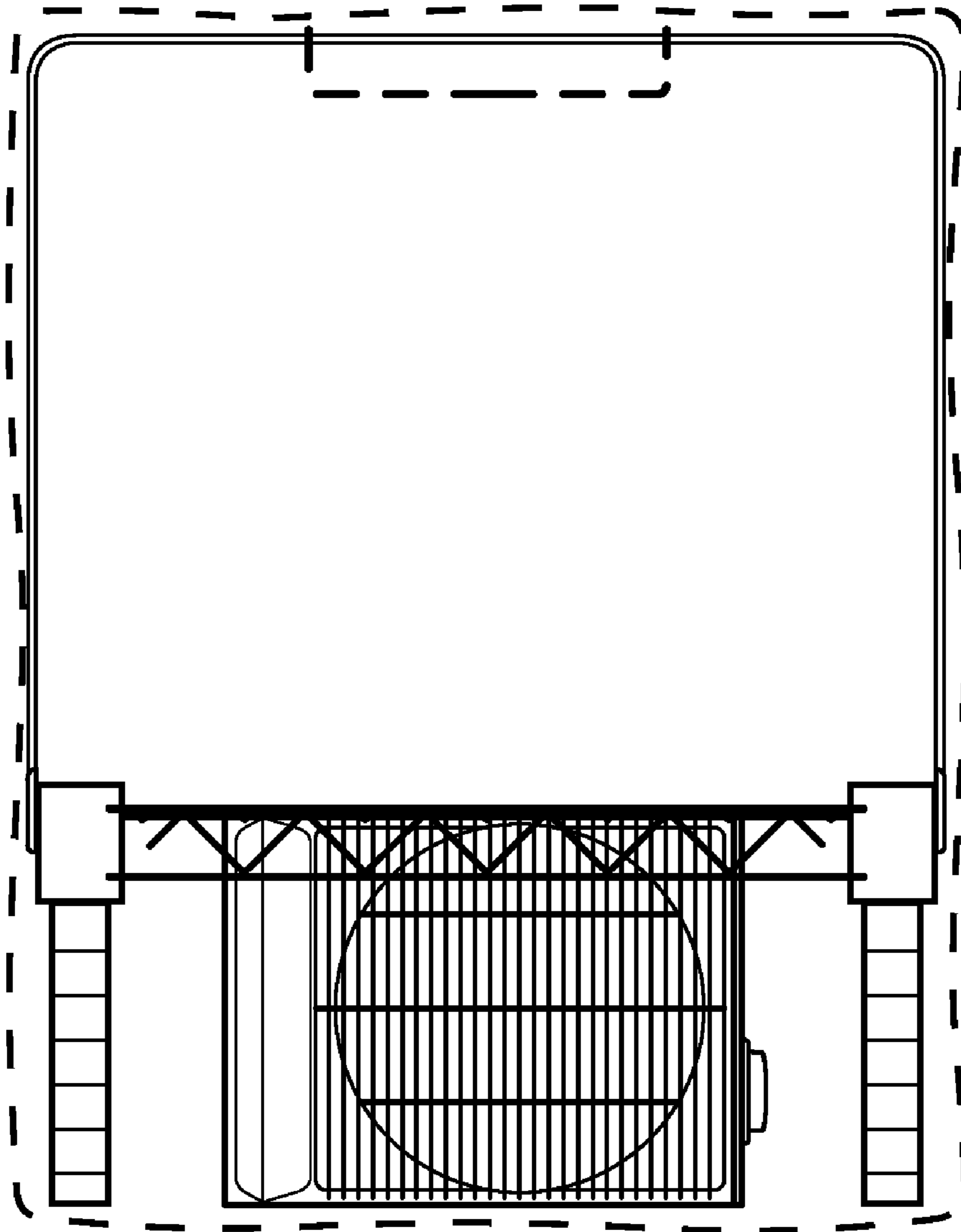


FIG. 5

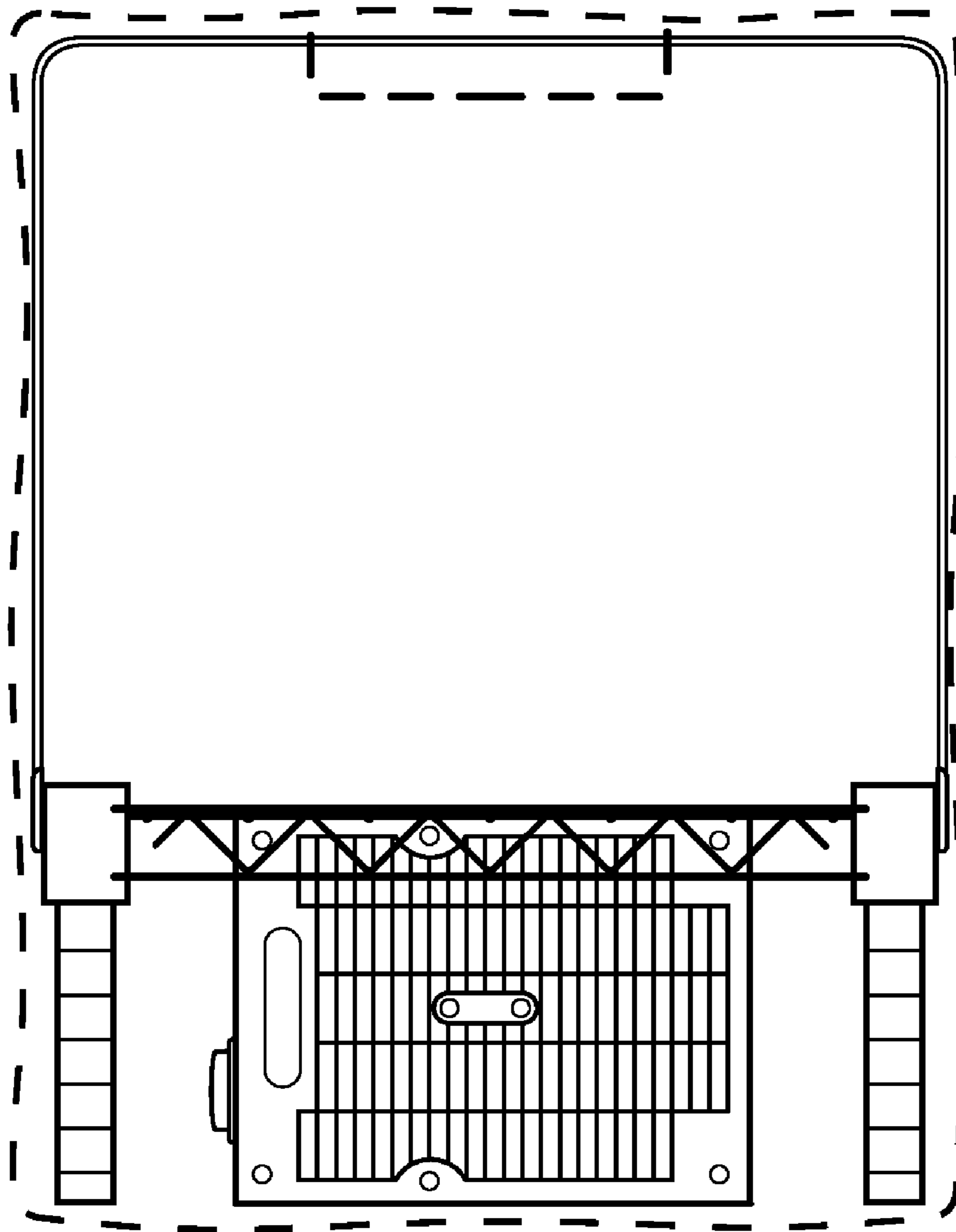


FIG. 6

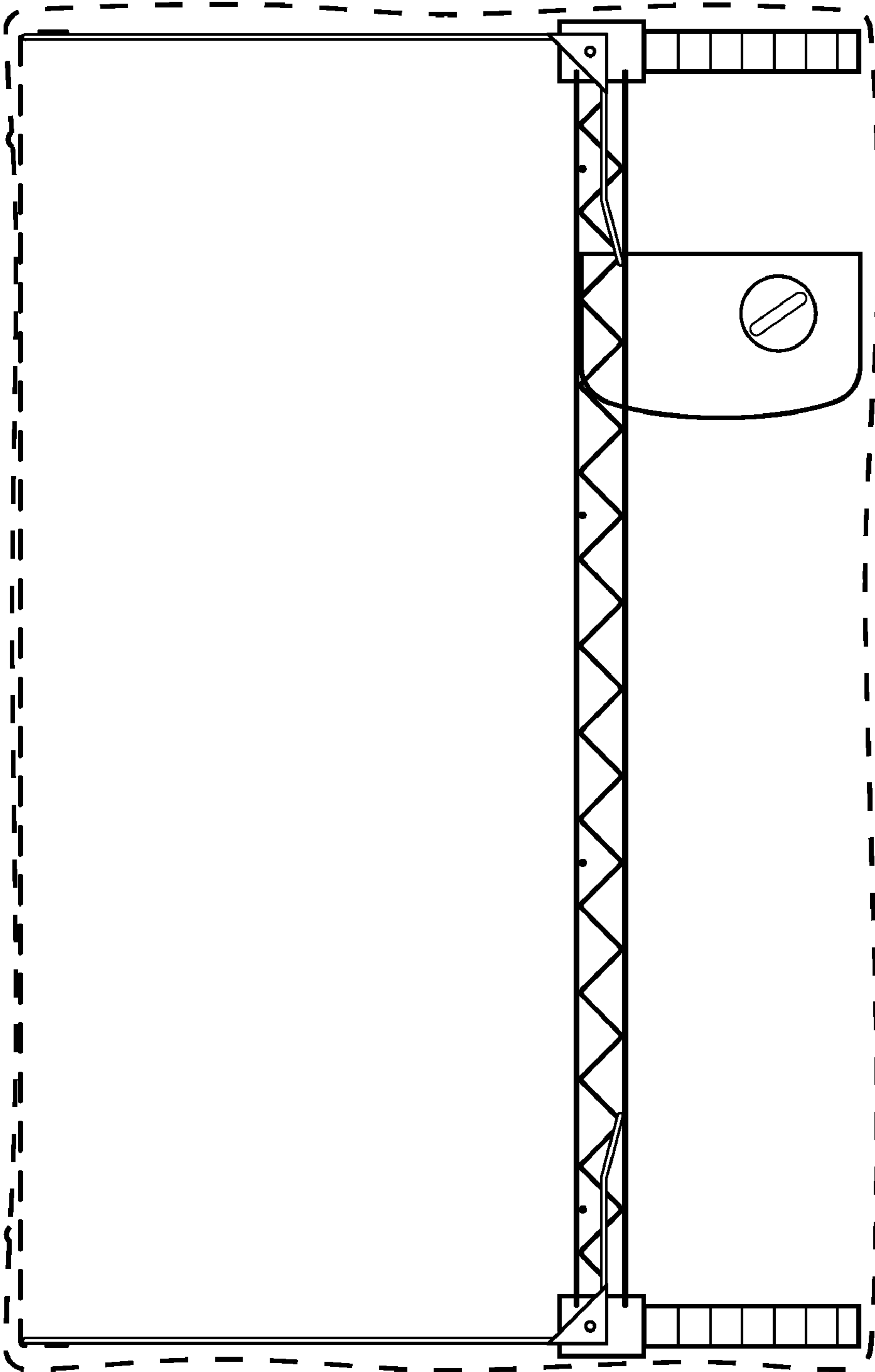


FIG. 7

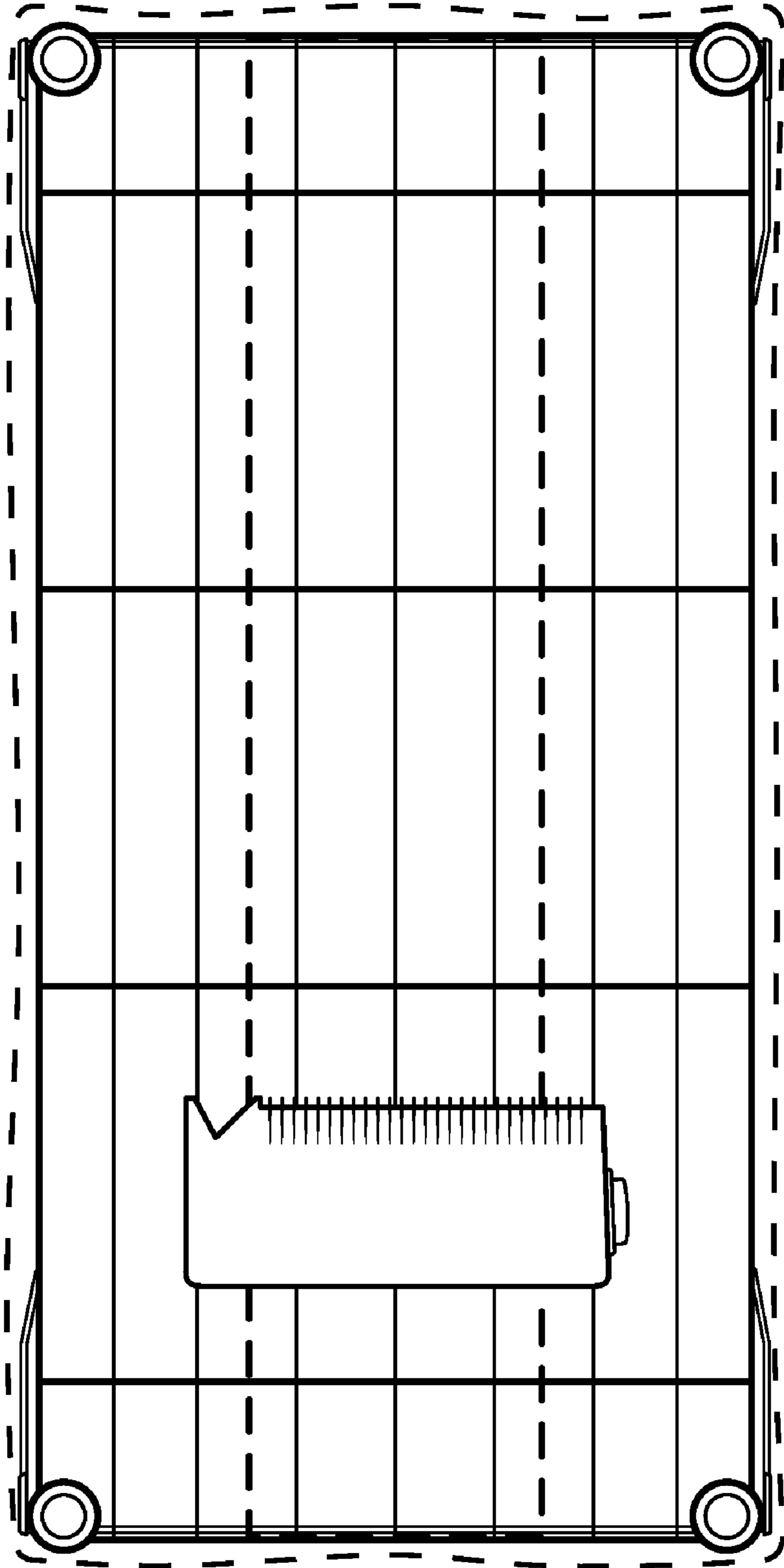


FIG. 8