



US00D614724S

(12) **United States Design Patent**
Waddington et al.

(10) **Patent No.:** **US D614,724 S**

(45) **Date of Patent:** **** Apr. 27, 2010**

(54) **TRAP**

(75) Inventors: **Phillip Waddington**, Wellington (NZ);
Ross Desmond Mitchell, Auckland (NZ)

(73) Assignee: **CMI Limited**, Auckland (NZ)

(**) Term: **14 Years**

(21) Appl. No.: **29/311,742**

(22) Filed: **Jun. 9, 2009**

(30) **Foreign Application Priority Data**

Dec. 12, 2008 (NZ) 411741

(51) **LOC (9) Cl.** **22-06**

(52) **U.S. Cl.** **D22/119**

(58) **Field of Classification Search** D22/119-124;
43/58-69, 81-83, 121, 131, 132.1
See application file for complete search history.

(56) **References Cited**

U.S. PATENT DOCUMENTS

4,157,628 A * 6/1979 Saslove 43/65
4,879,836 A * 11/1989 Dolyny 43/64

D320,833 S * 10/1991 Lumsden D22/119
D335,325 S * 5/1993 Morford D22/119
D386,554 S * 11/1997 Brewer D22/119
D547,411 S * 7/2007 Jan D22/119

* cited by examiner

Primary Examiner—Catherine R Oliver

(74) *Attorney, Agent, or Firm*—Jacobson Holman PLLC

(57) **CLAIM**

The ornamental design for a trap, as shown and described.

DESCRIPTION

FIG. 1 is a perspective view showing my our new design for a trap,

FIG. 2 is a top view thereof,

FIG. 3 is a front view thereof,

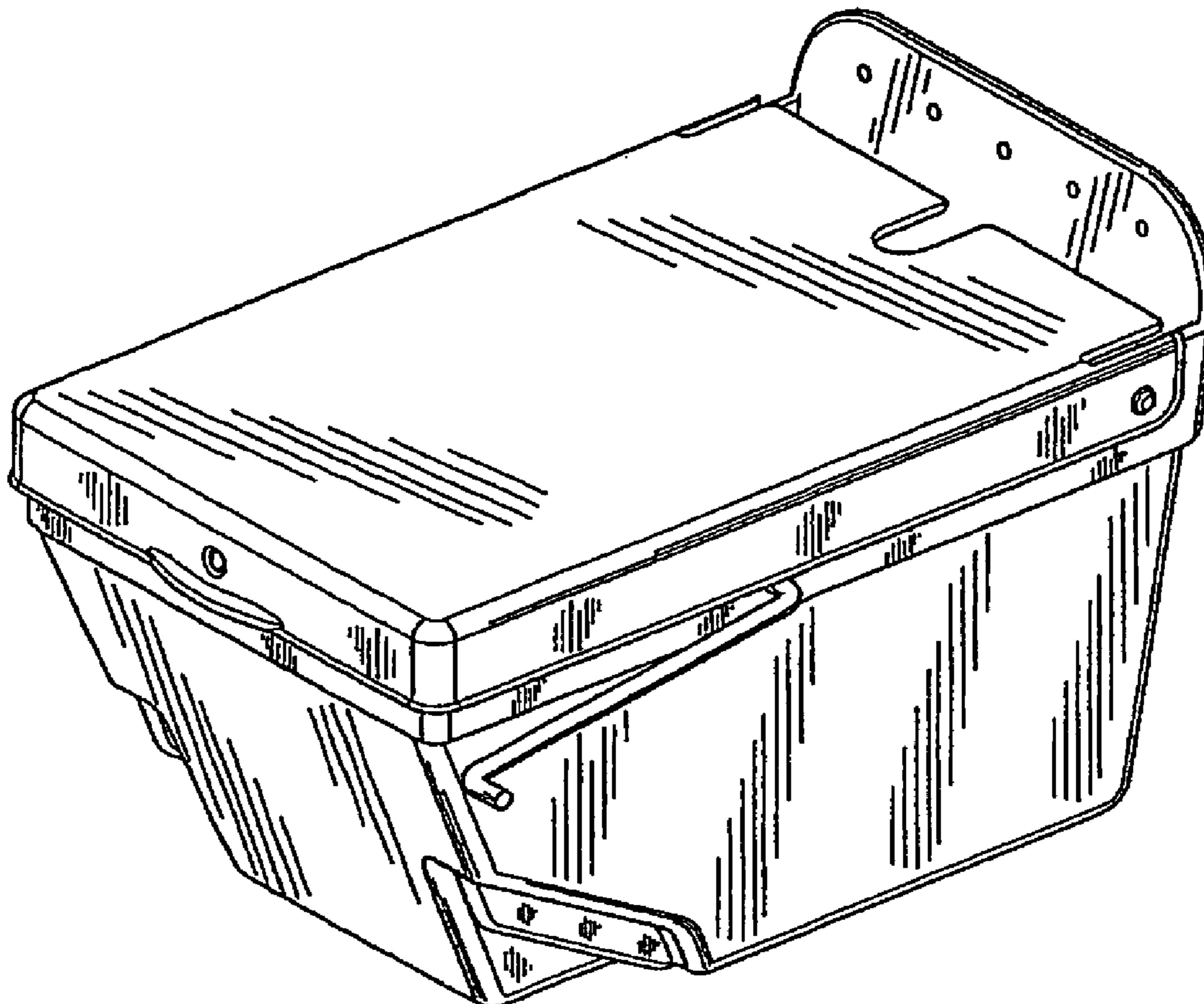
FIG. 4 is a right side view thereof,

FIG. 5 is a rear view thereof,

FIG. 6 is a left side view thereof; and,

FIG. 7 is a bottom view thereof.

1 Claim, 4 Drawing Sheets



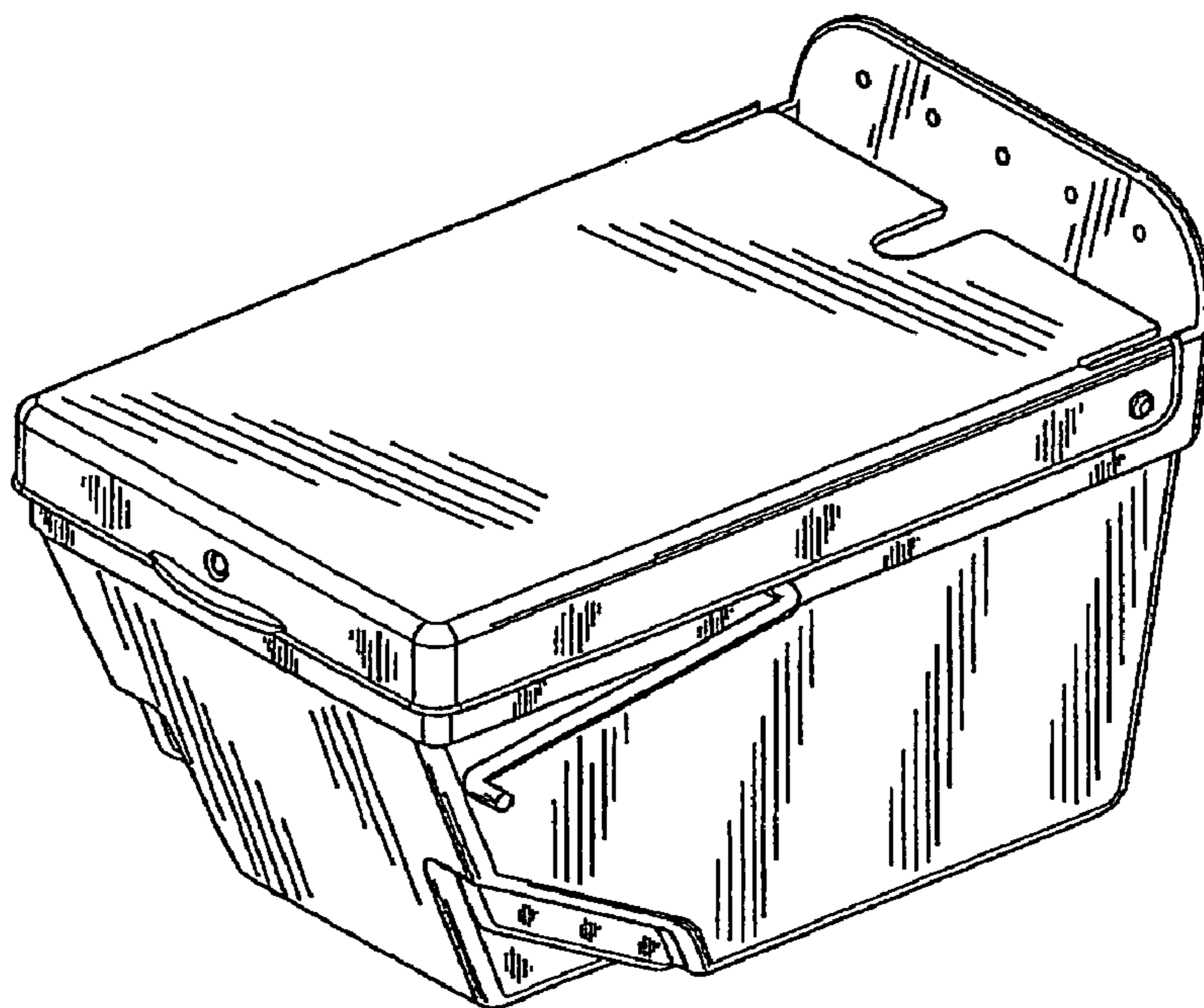


FIG. 1

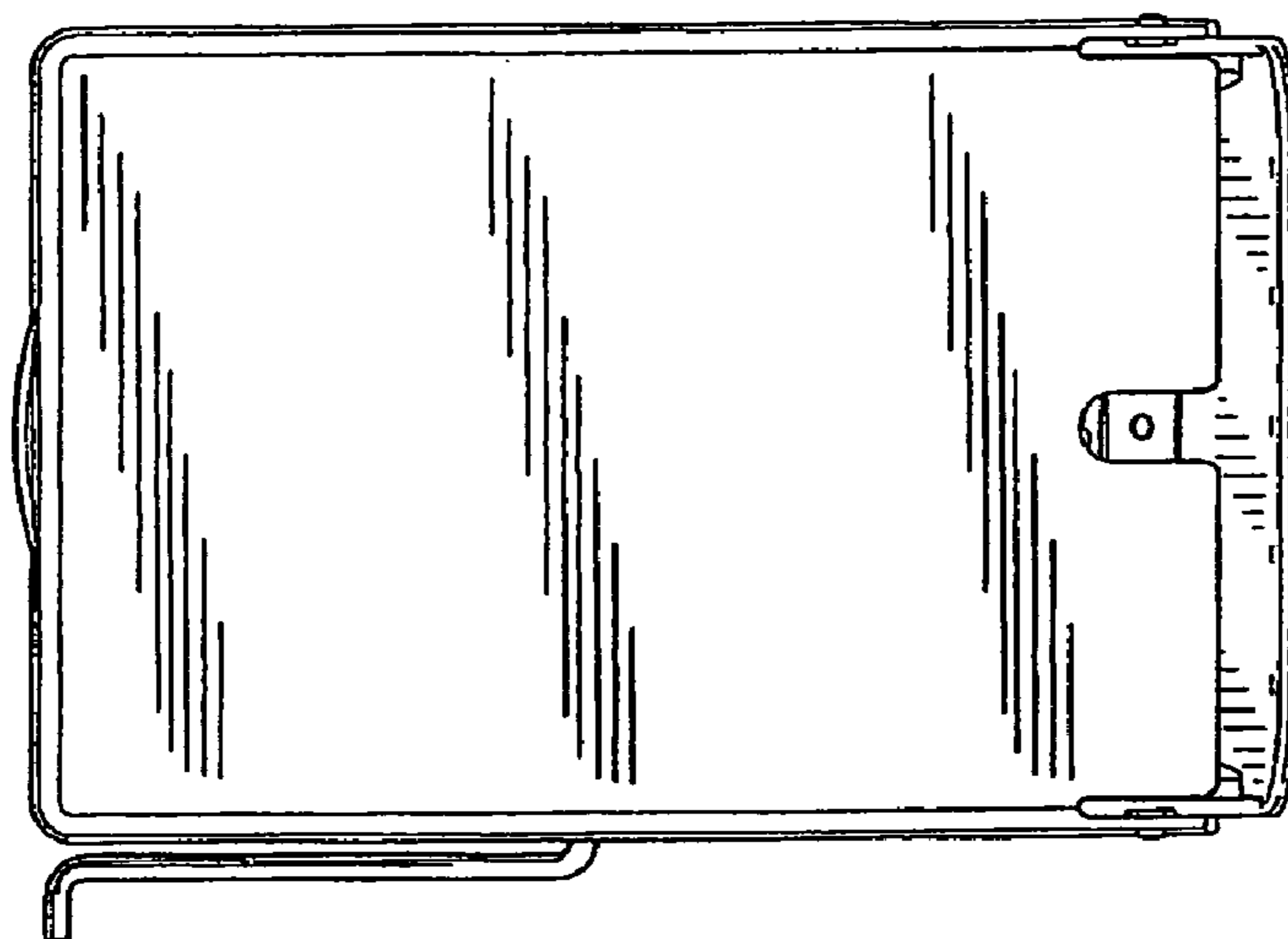


FIG. 2

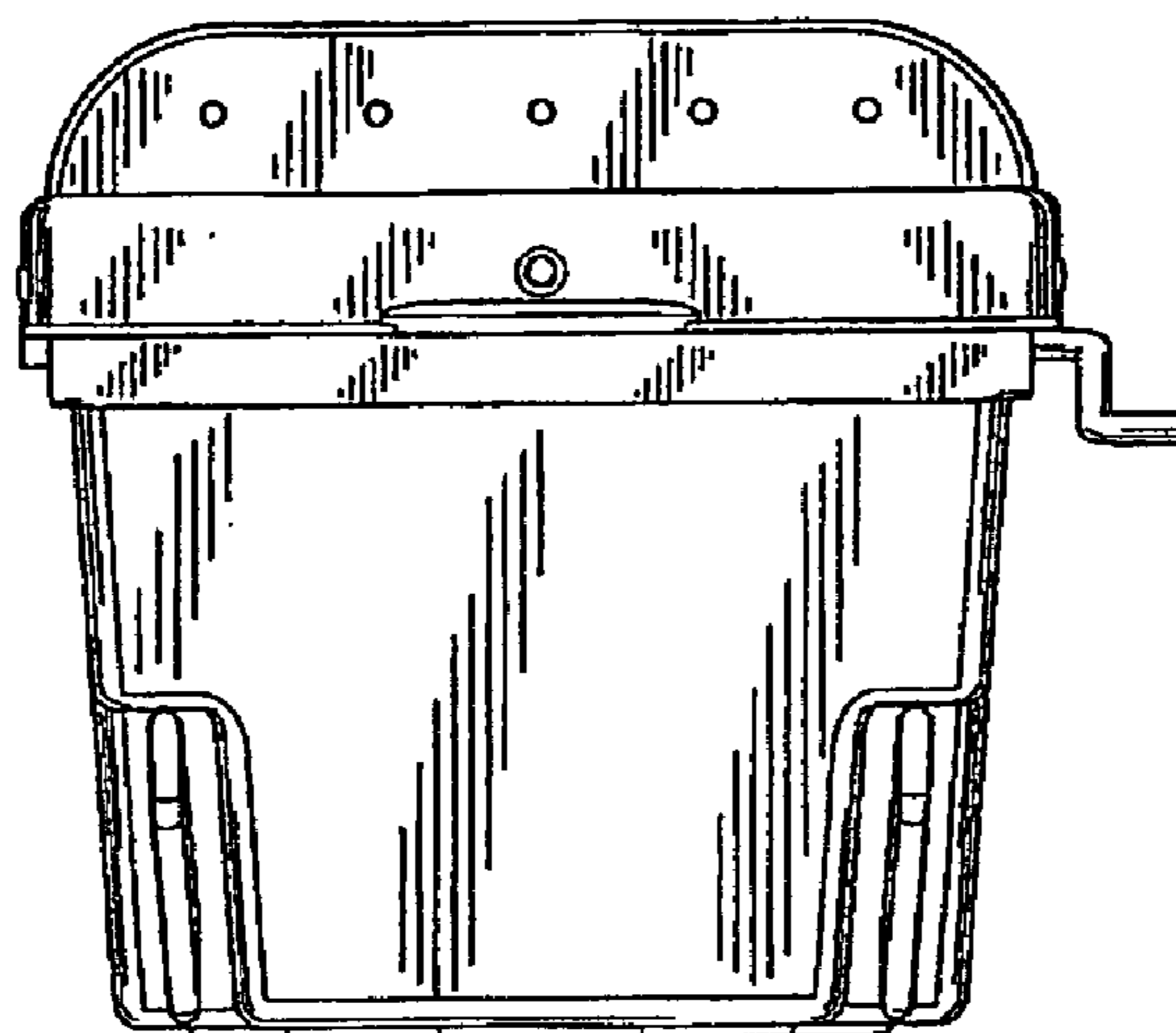


FIG. 3

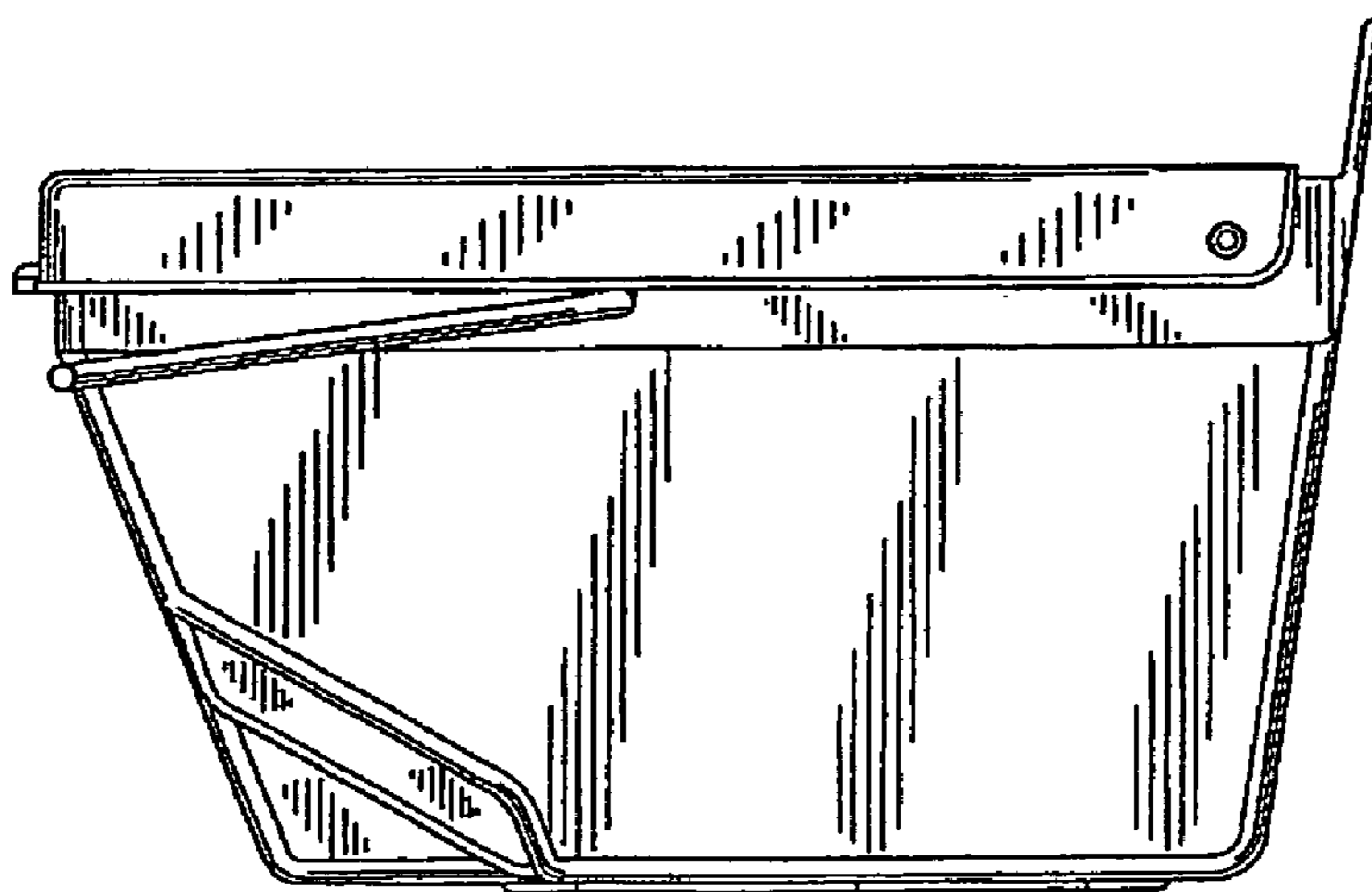


FIG. 4

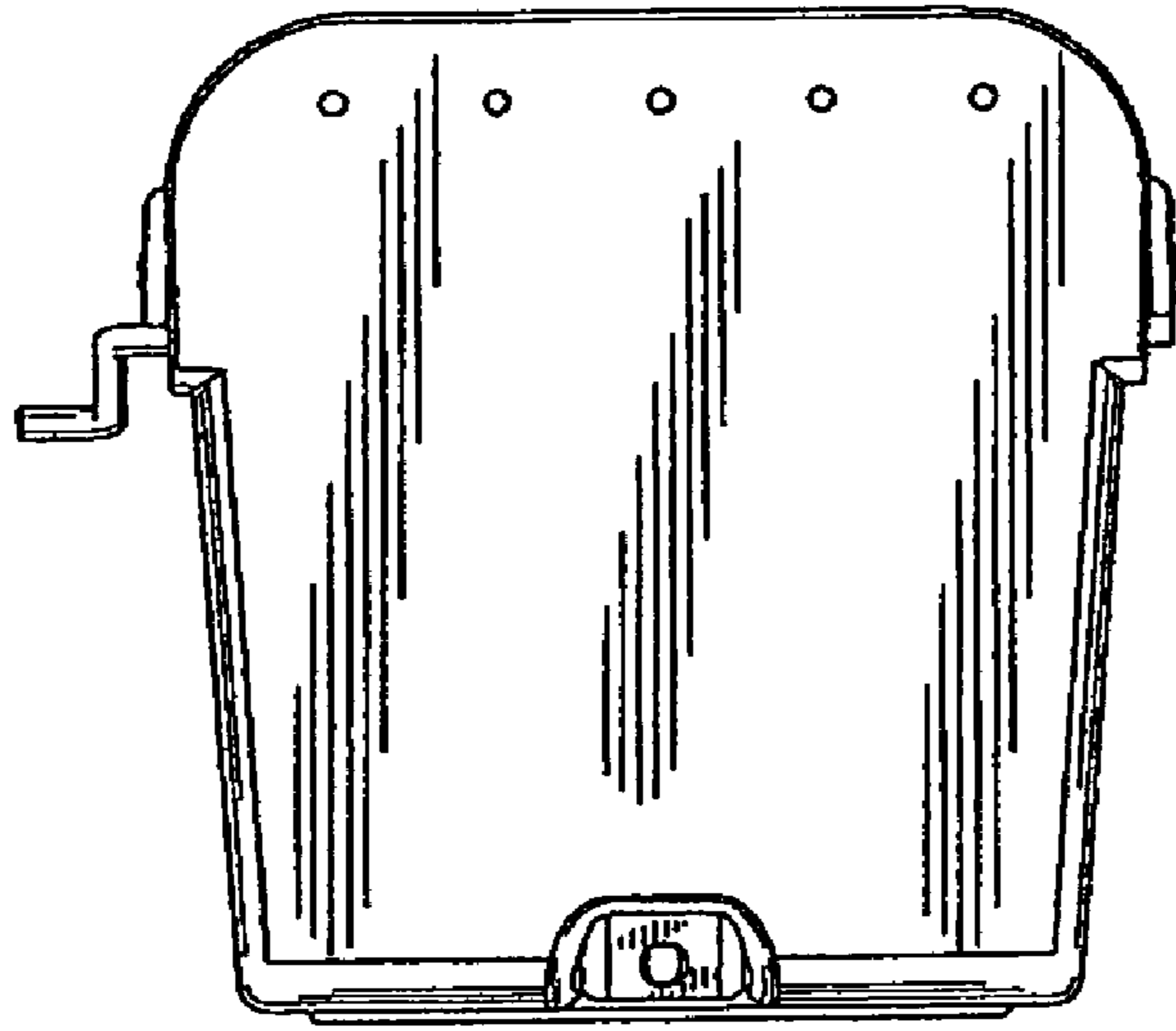


FIG. 5

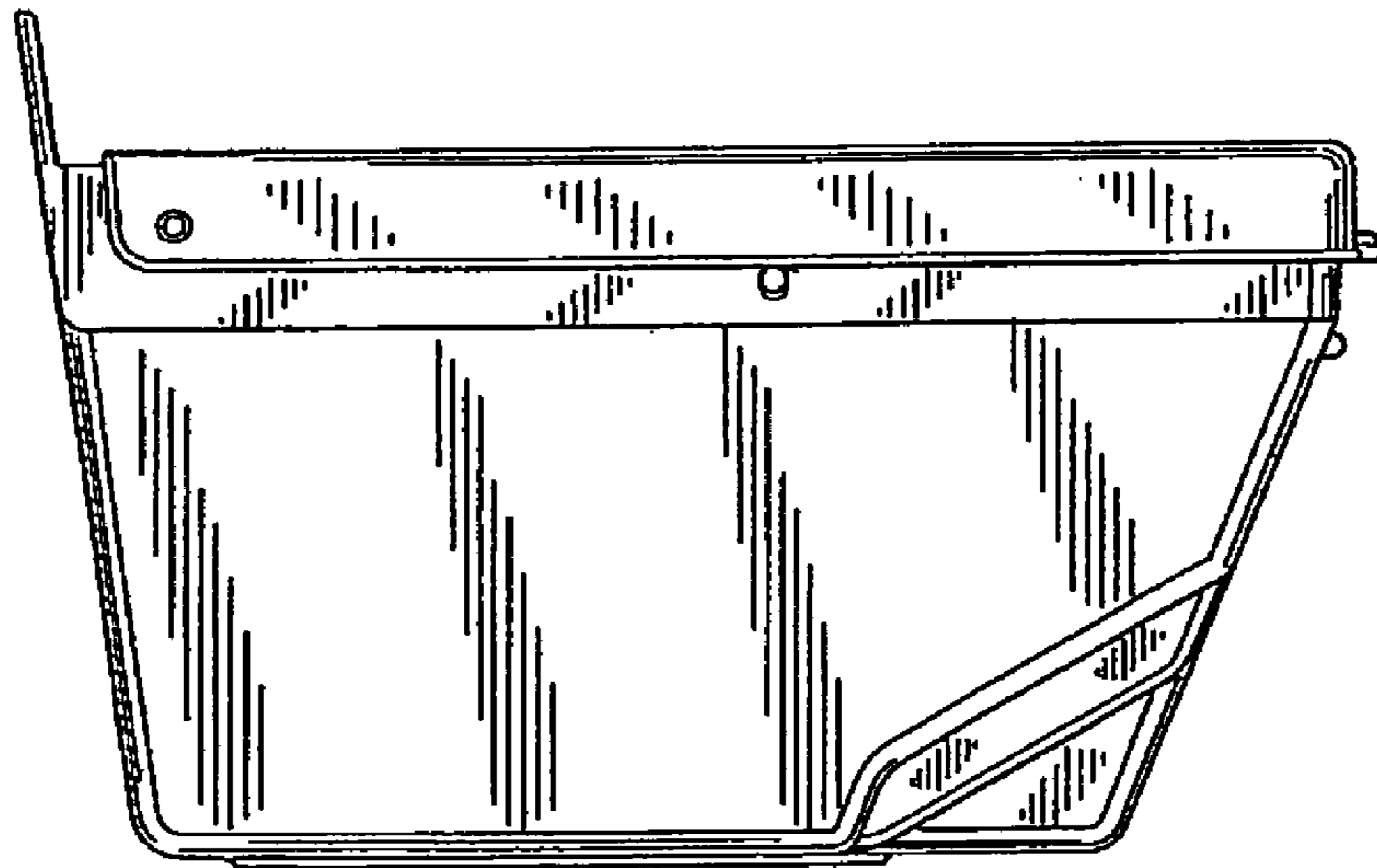


FIG. 6

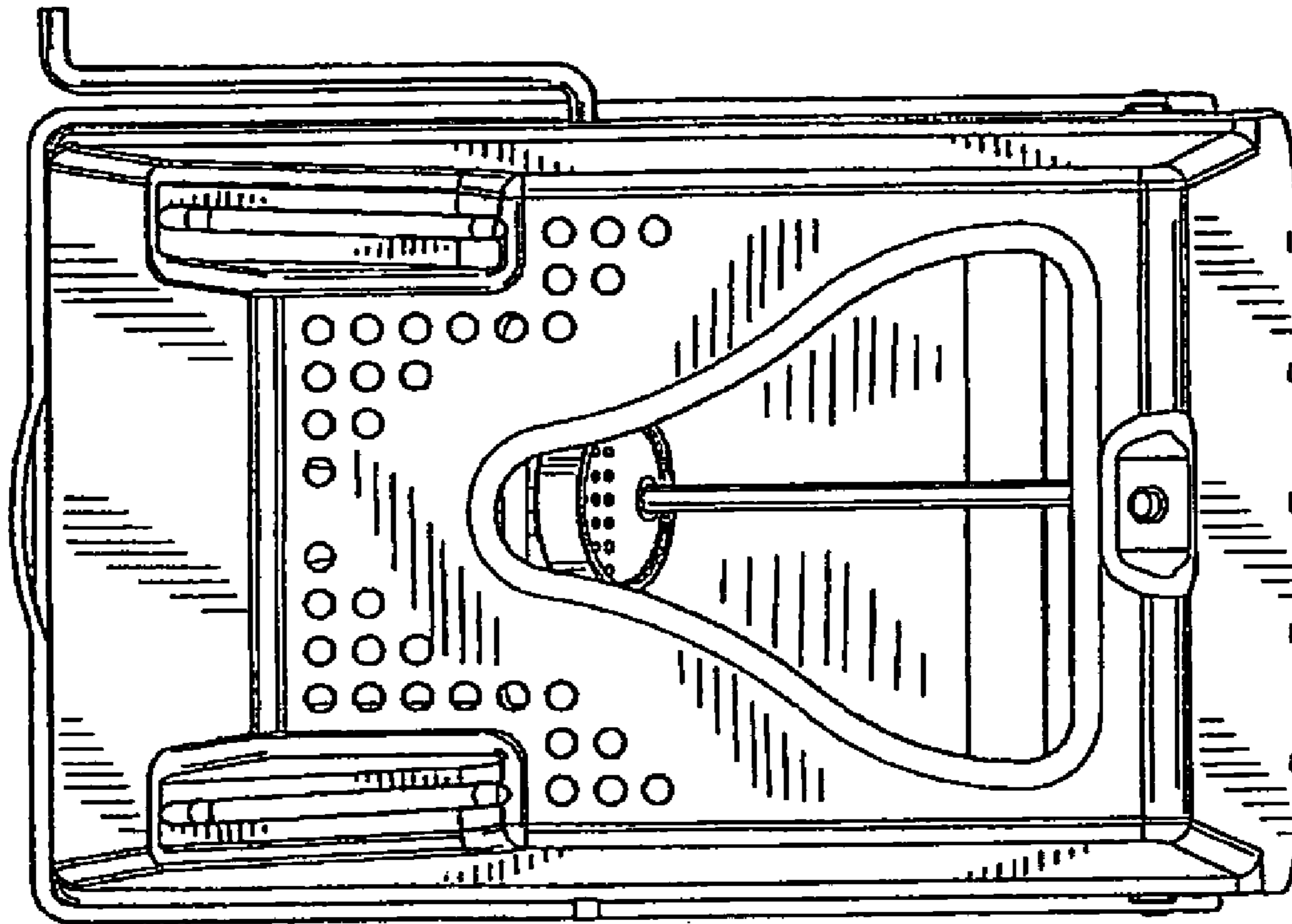


FIG. 7