



US00D614722S

(12) **United States Design Patent**
Mayberry et al.

(10) **Patent No.:** **US D614,722 S**
(45) **Date of Patent:** **** Apr. 27, 2010**

(54) **HAND GUARD FOR A FIREARM**

(75) Inventors: **Michael T. Mayberry**, Denver, CO
(US); **Brian Abbott**, Broomfield, CO
(US)

(73) Assignee: **Magpul Industries Corp.**, Boulder, CO
(US)

(**) Term: **14 Years**

(21) Appl. No.: **29/331,003**

(22) Filed: **Jan. 16, 2009**

Related U.S. Application Data

(63) Continuation-in-part of application No. 11/958,274,
filed on Dec. 17, 2007.

(51) **LOC (9) Cl.** **22-01**

(52) **U.S. Cl.** **D22/108**

(58) **Field of Classification Search** D22/100,
D22/101, 103, 104, 108, 199; D21/572,
D21/573; 42/51, 90, 71.01, 71.02, 73, 75.01,
42/75.02; 362/160; 33/241; 313/105 R;
89/40.06, 37.04, 33.04; 124/66, 67, 74
See application file for complete search history.

(56) **References Cited**

U.S. PATENT DOCUMENTS

4,640,036 A * 2/1987 Gal 42/72
D369,639 S * 5/1996 Predazzer D22/103
D372,067 S * 7/1996 Predazzer D22/103

* cited by examiner

Primary Examiner—T. Chase Nelson
Assistant Examiner—Michael A Pratt

(74) *Attorney, Agent, or Firm*—Geoffrey E. Dobbin

(57) **CLAIM**

An ornamental design for a hand guard for a firearm, as shown and described.

DESCRIPTION

FIG. 1 is a left/top/front perspective view of the hand guard.

FIG. 2 is a front plan view of the hand guard.

FIG. 3 is a rear plan view of the hand guard.

FIG. 4 is a right plan view of the hand guard.

FIG. 5 is a left plan view of the hand guard.

FIG. 6 is a top plan view of the hand guard.

FIG. 7 is a bottom plan view of the hand guard.

FIG. 8 is a right/top/rear perspective view of the hand guard.

FIG. 9 is a right/bottom/rear perspective view of the hand guard.

FIG. 10 is a right/bottom/front perspective view of the hand guard.

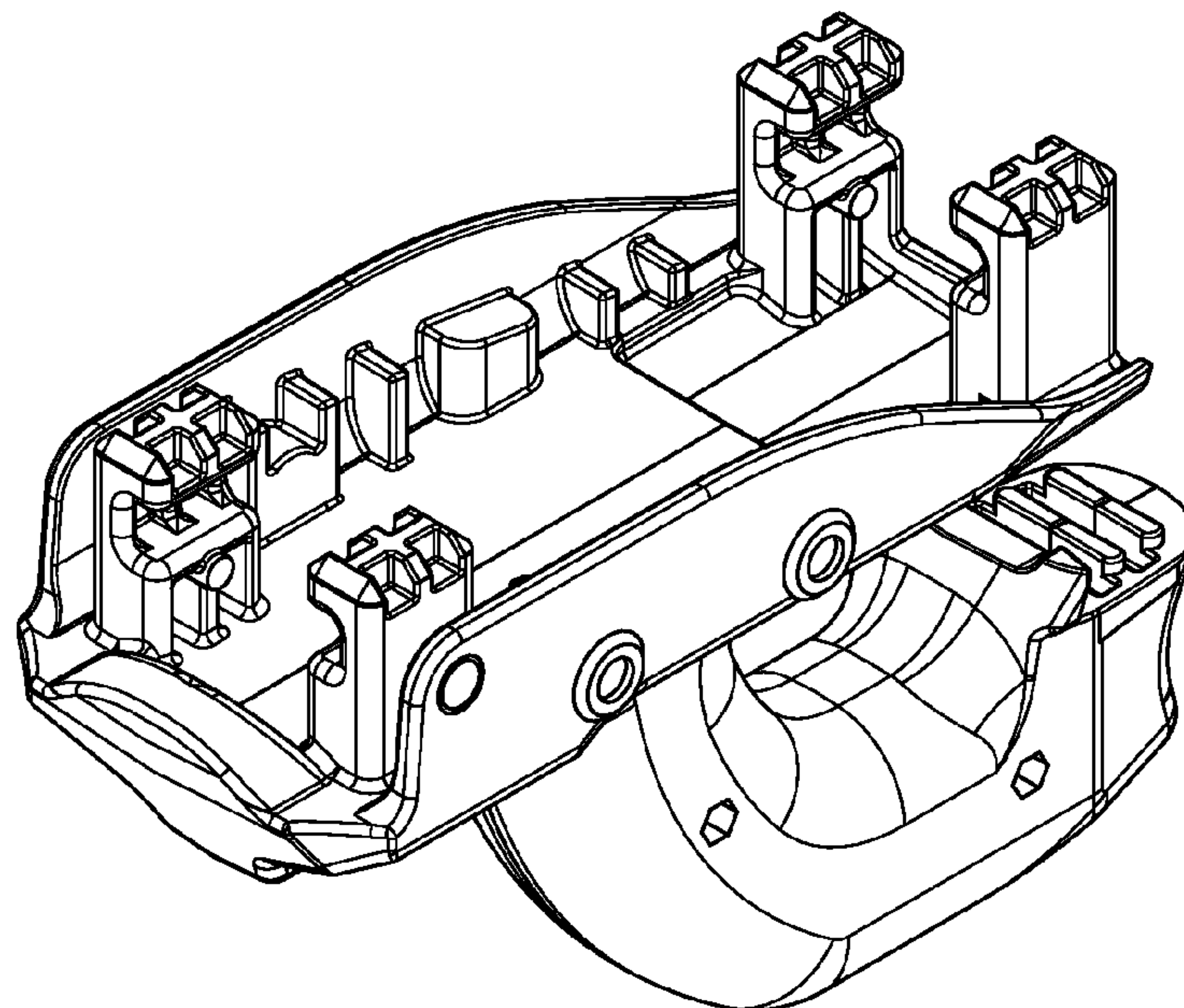
FIG. 11 is a right/top/front perspective view of the hand guard.

FIG. 12 is a left/bottom/front perspective view of the hand guard.

FIG. 13 is a left/top/rear perspective view of the hand guard; and,

FIG. 14 is a left/bottom/rear perspective view of the hand guard.

1 Claim, 4 Drawing Sheets



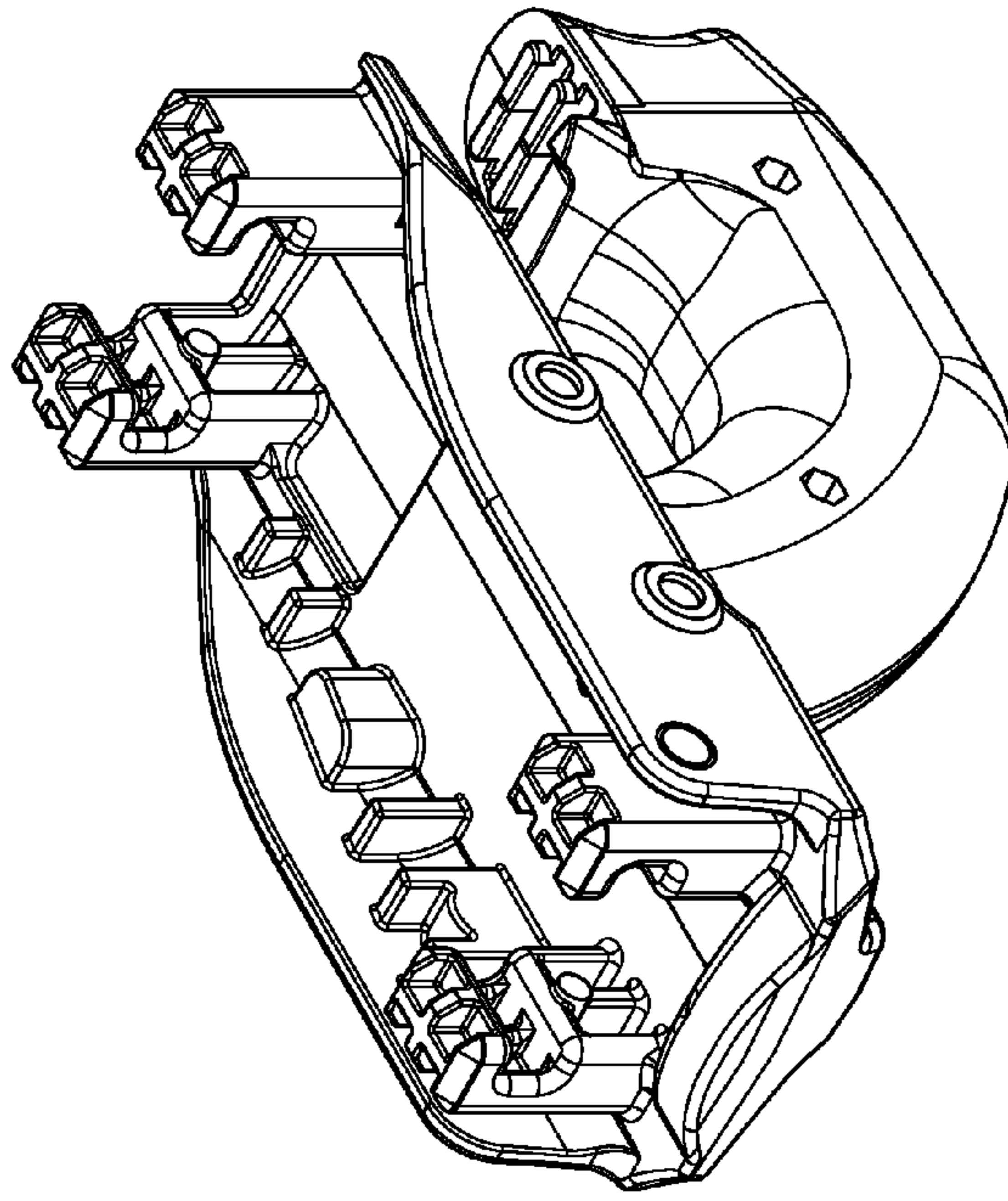


FIG. 1

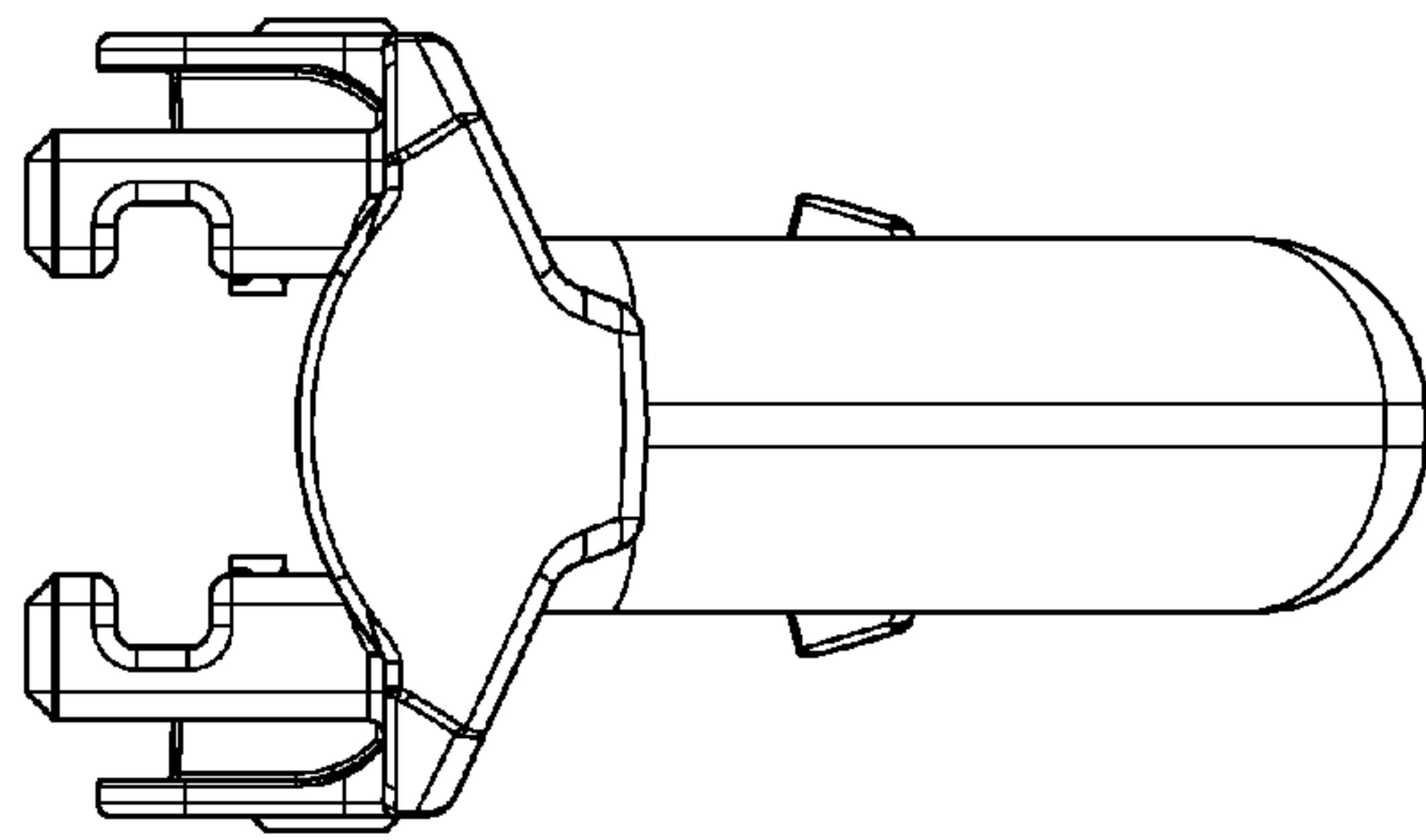
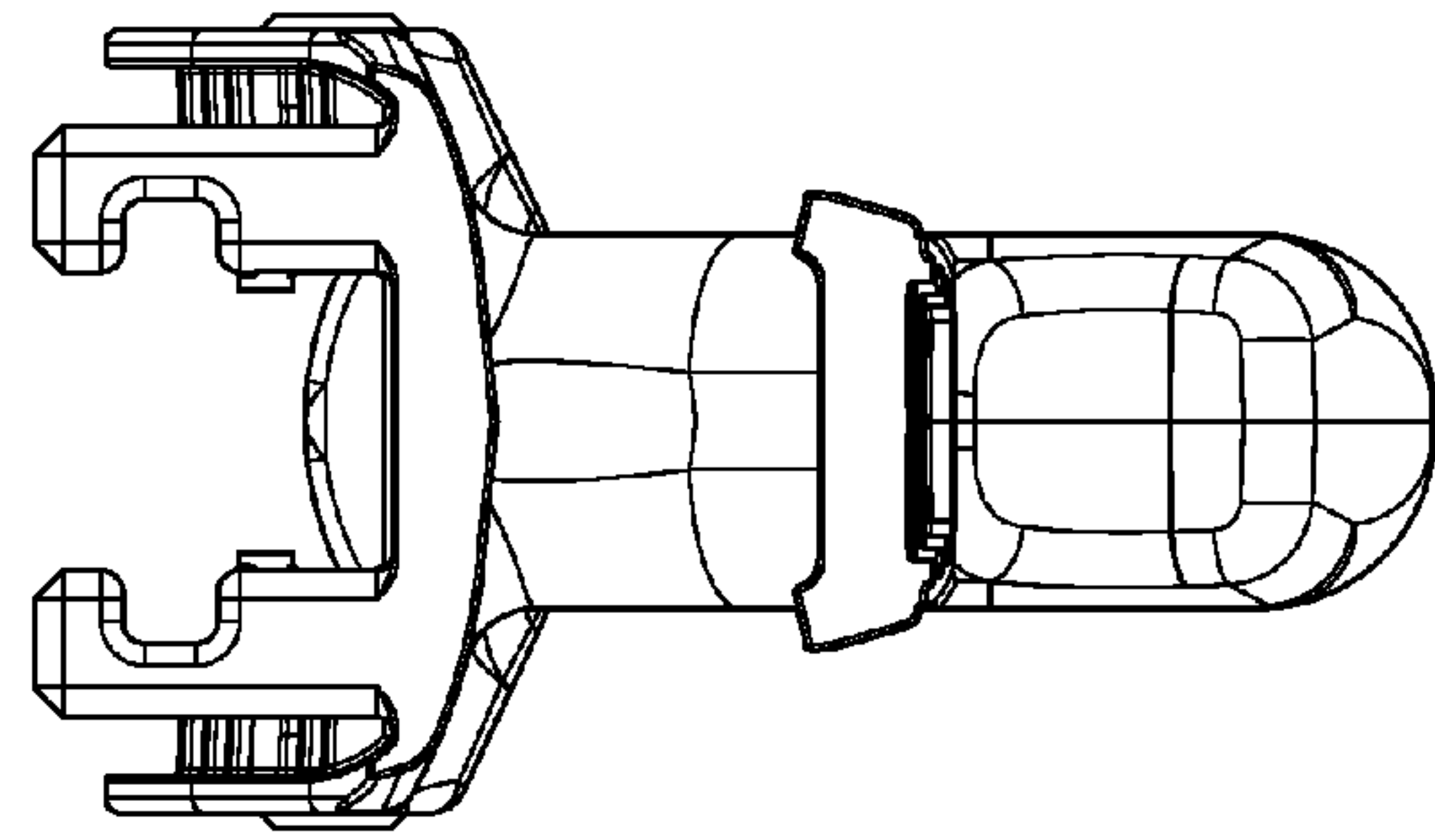


FIG. 2

FIG. 3



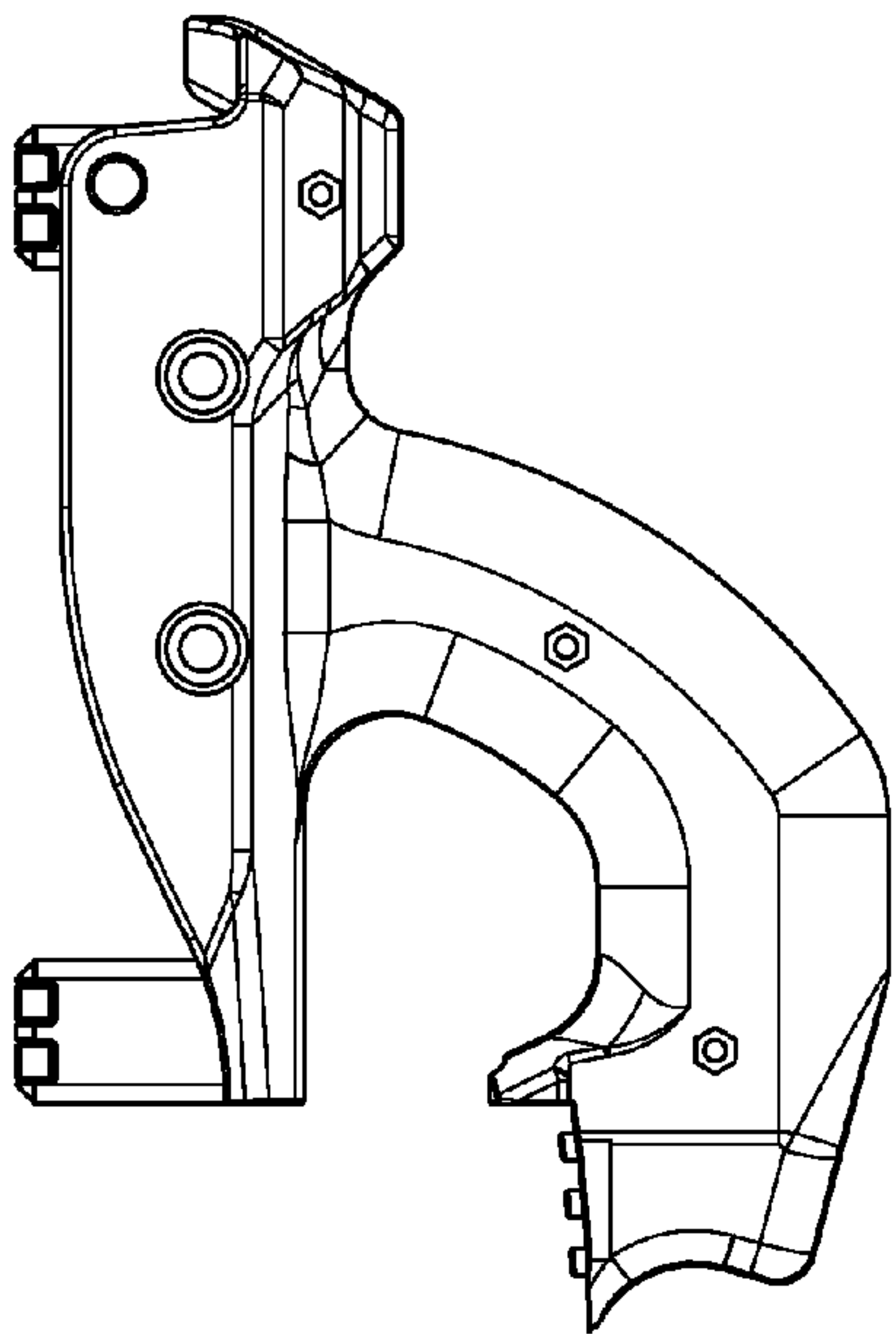


FIG. 4

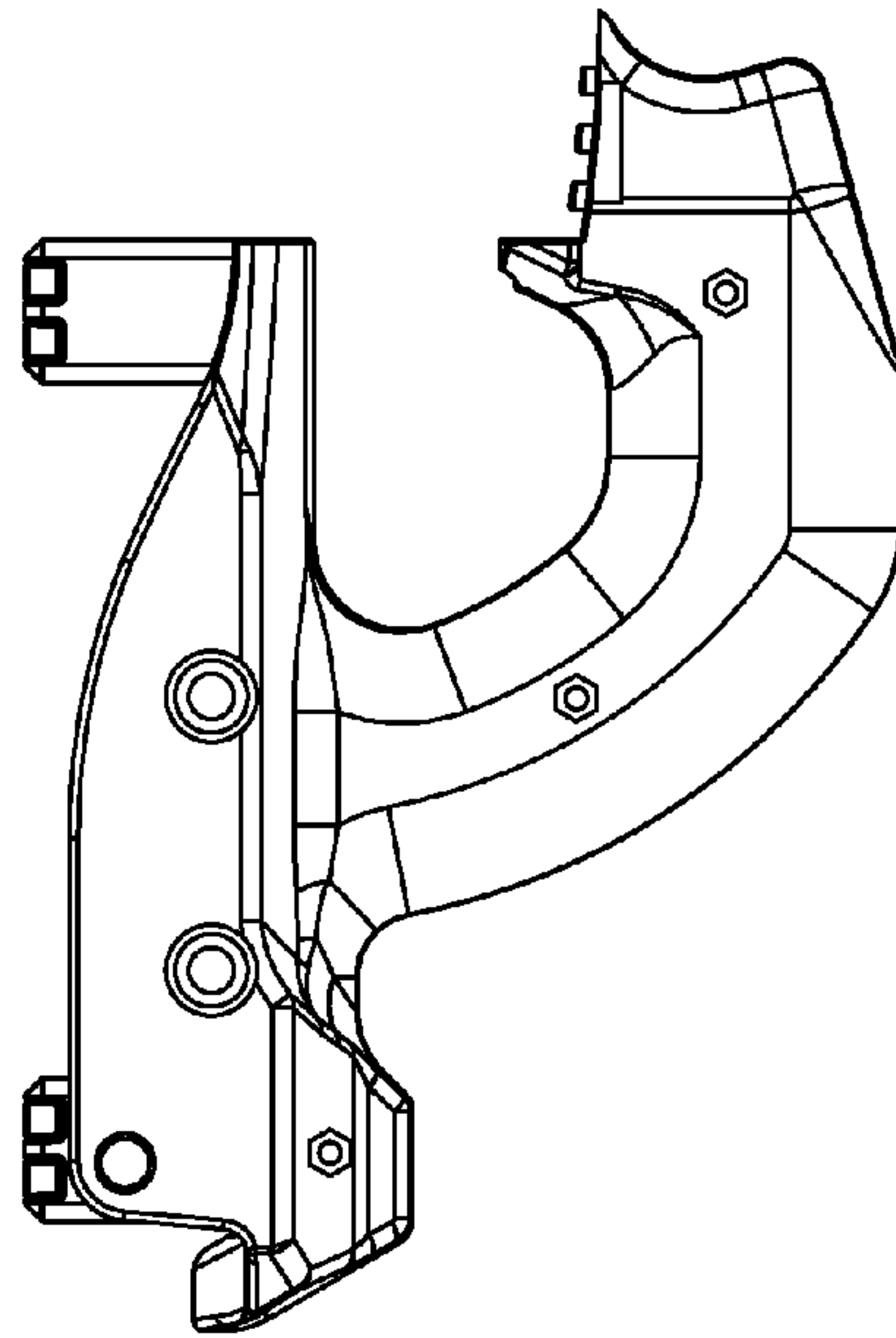


FIG. 5

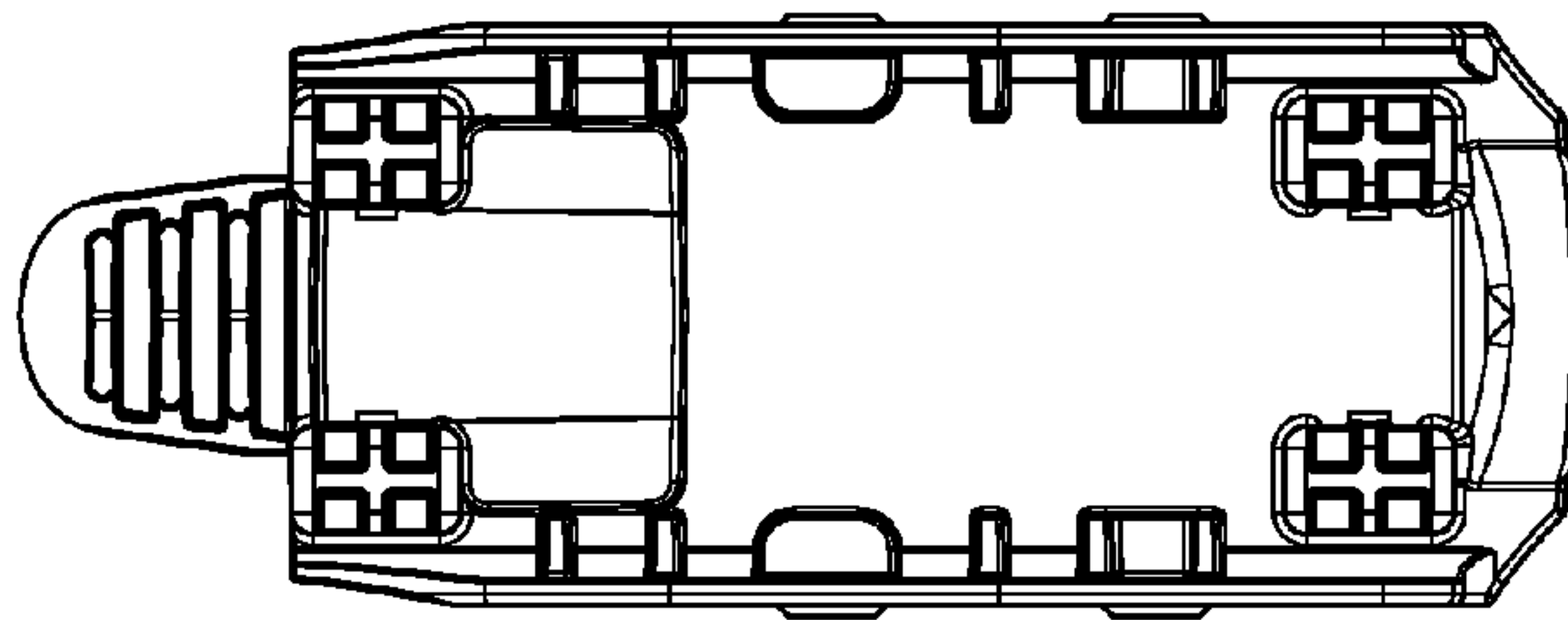


FIG. 6

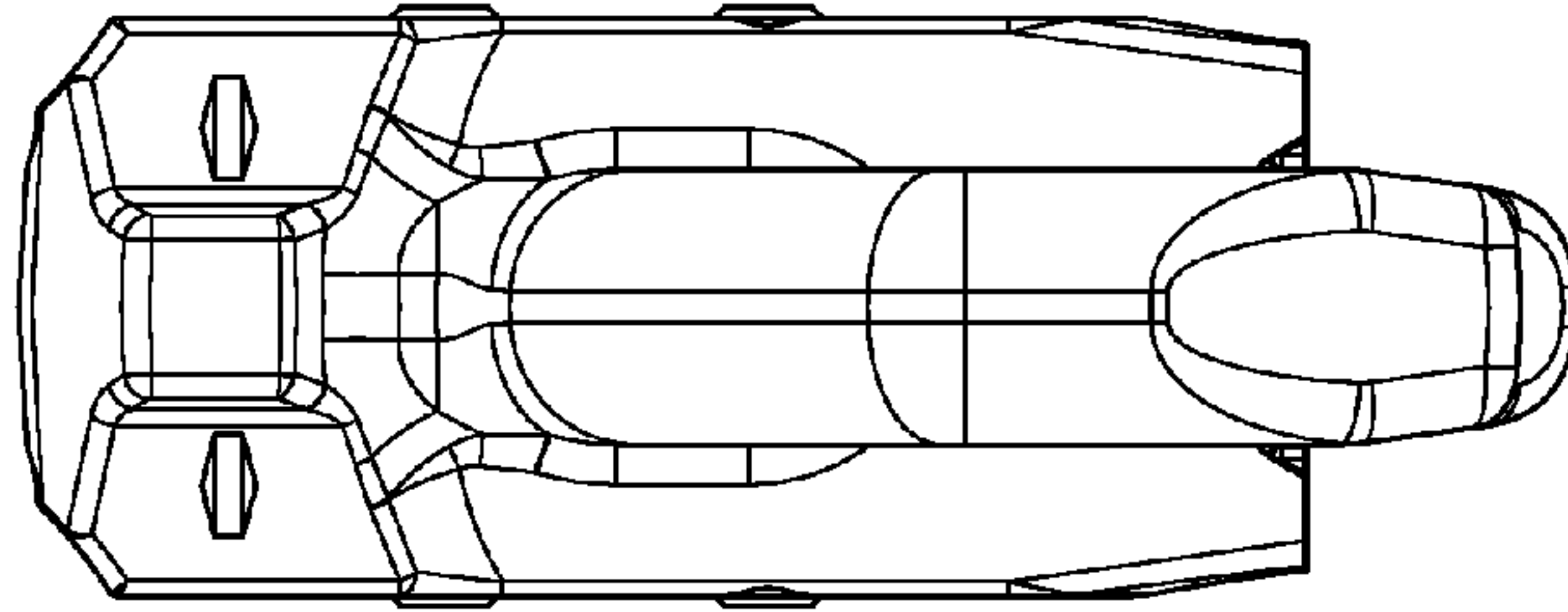


FIG. 7

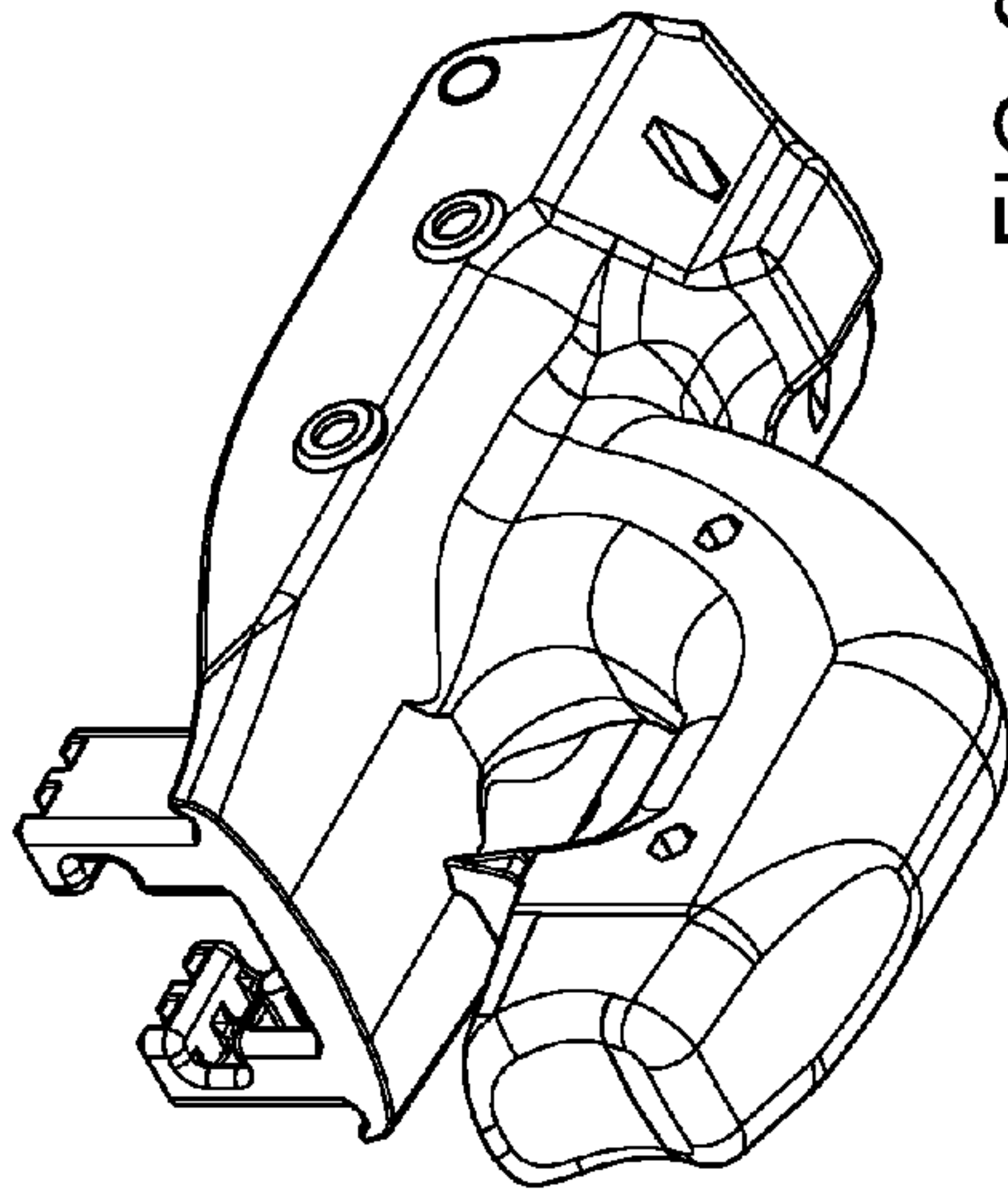


FIG. 9

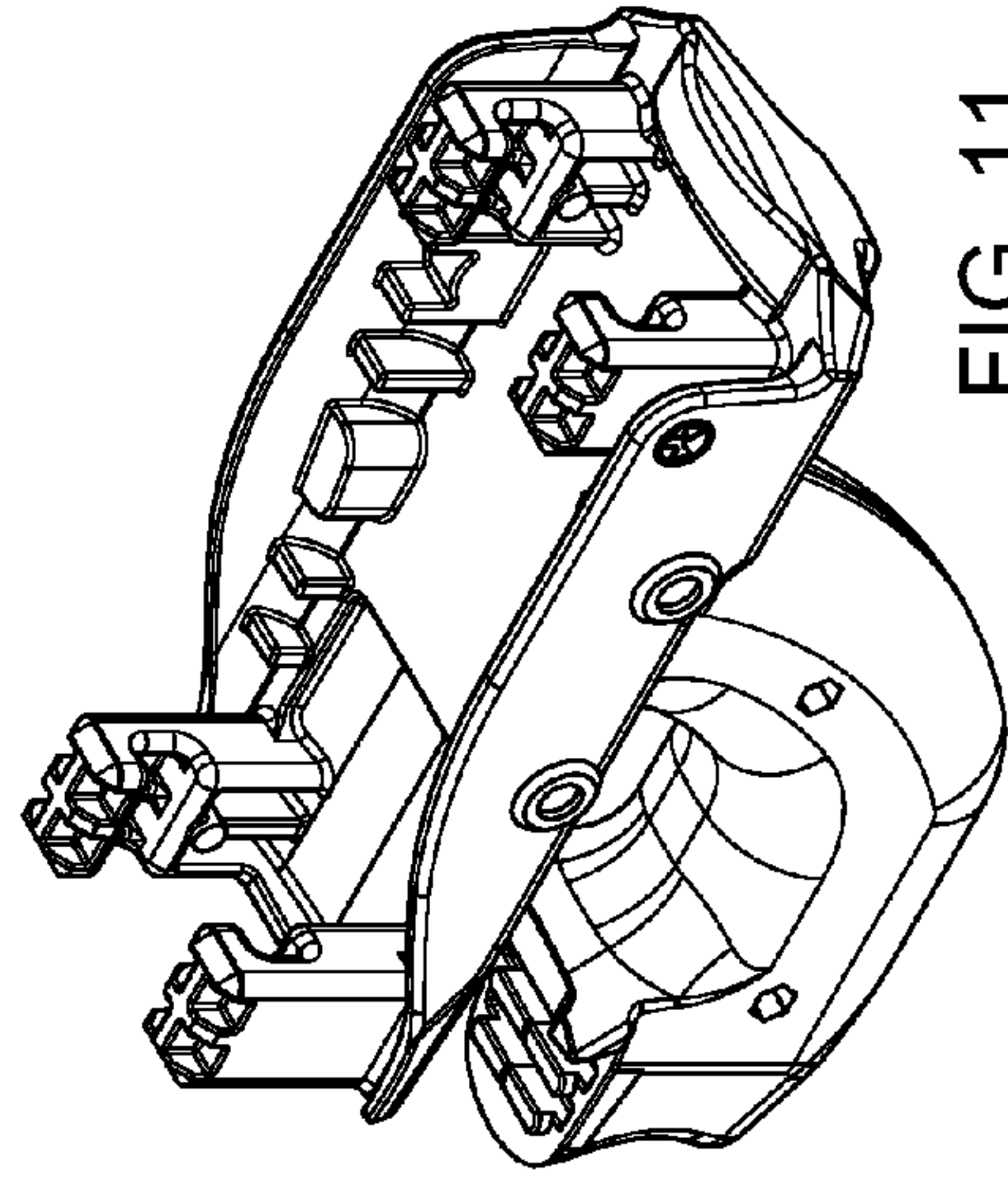


FIG. 11

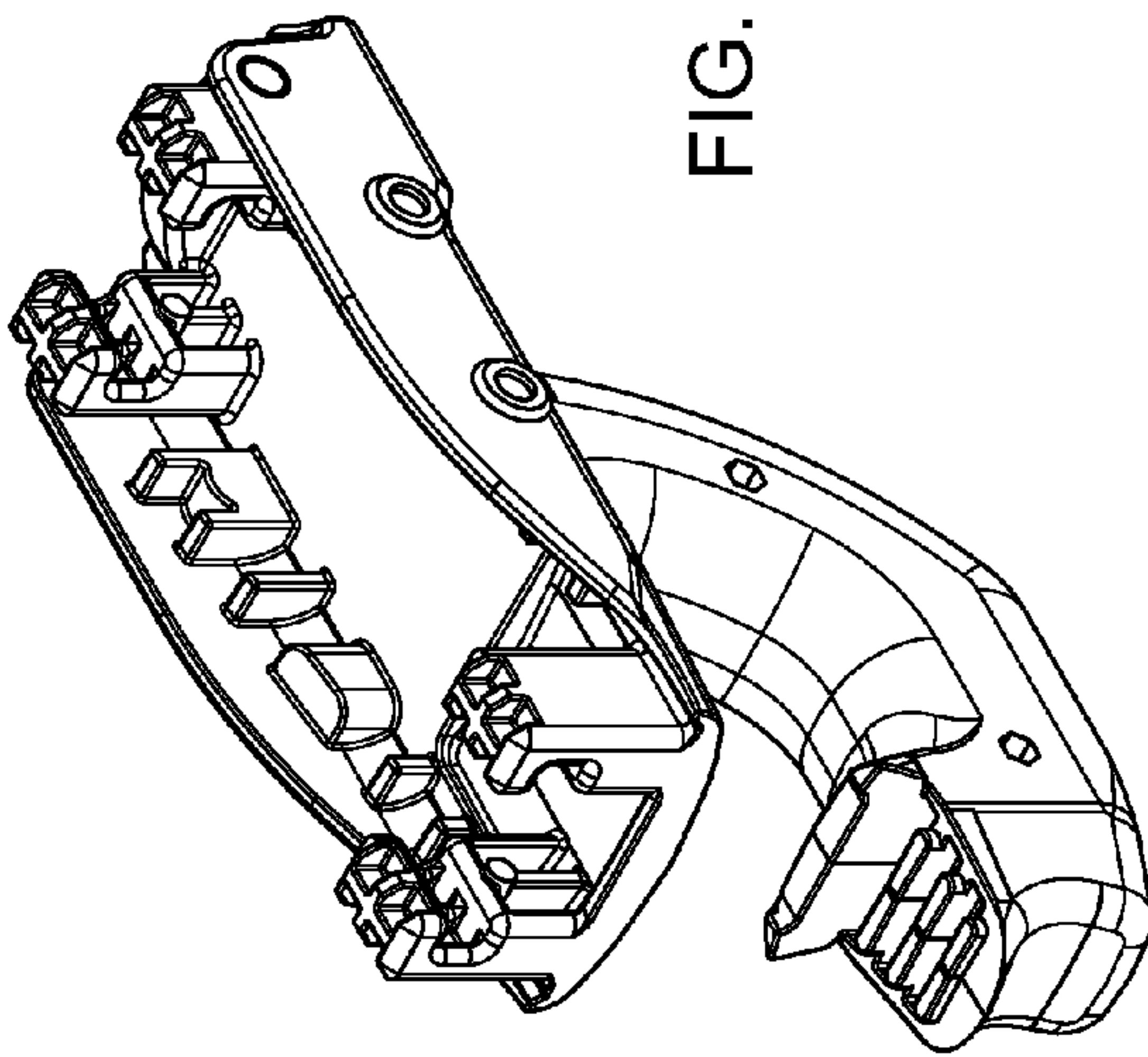


FIG. 8

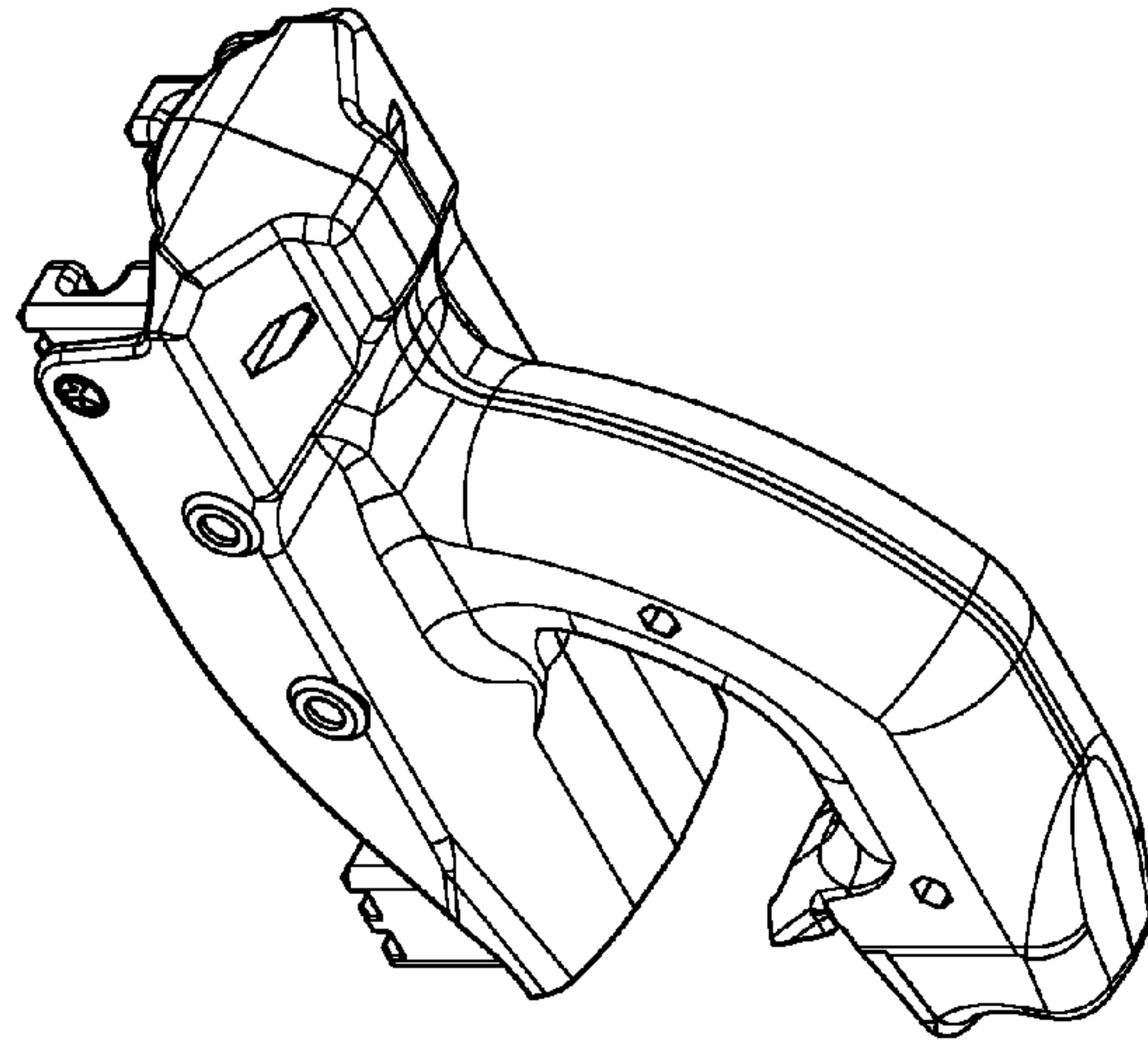


FIG. 10

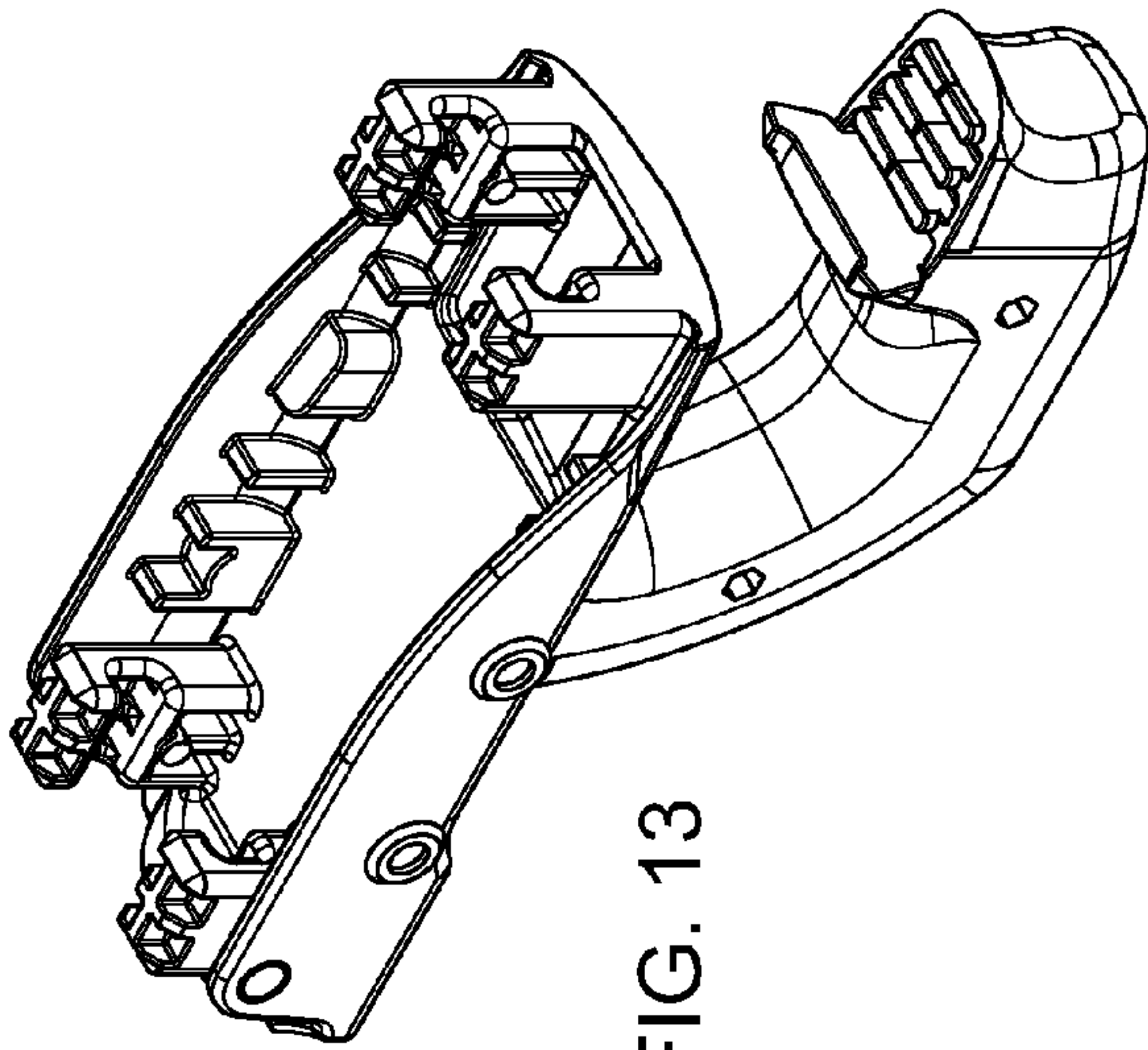


FIG. 12

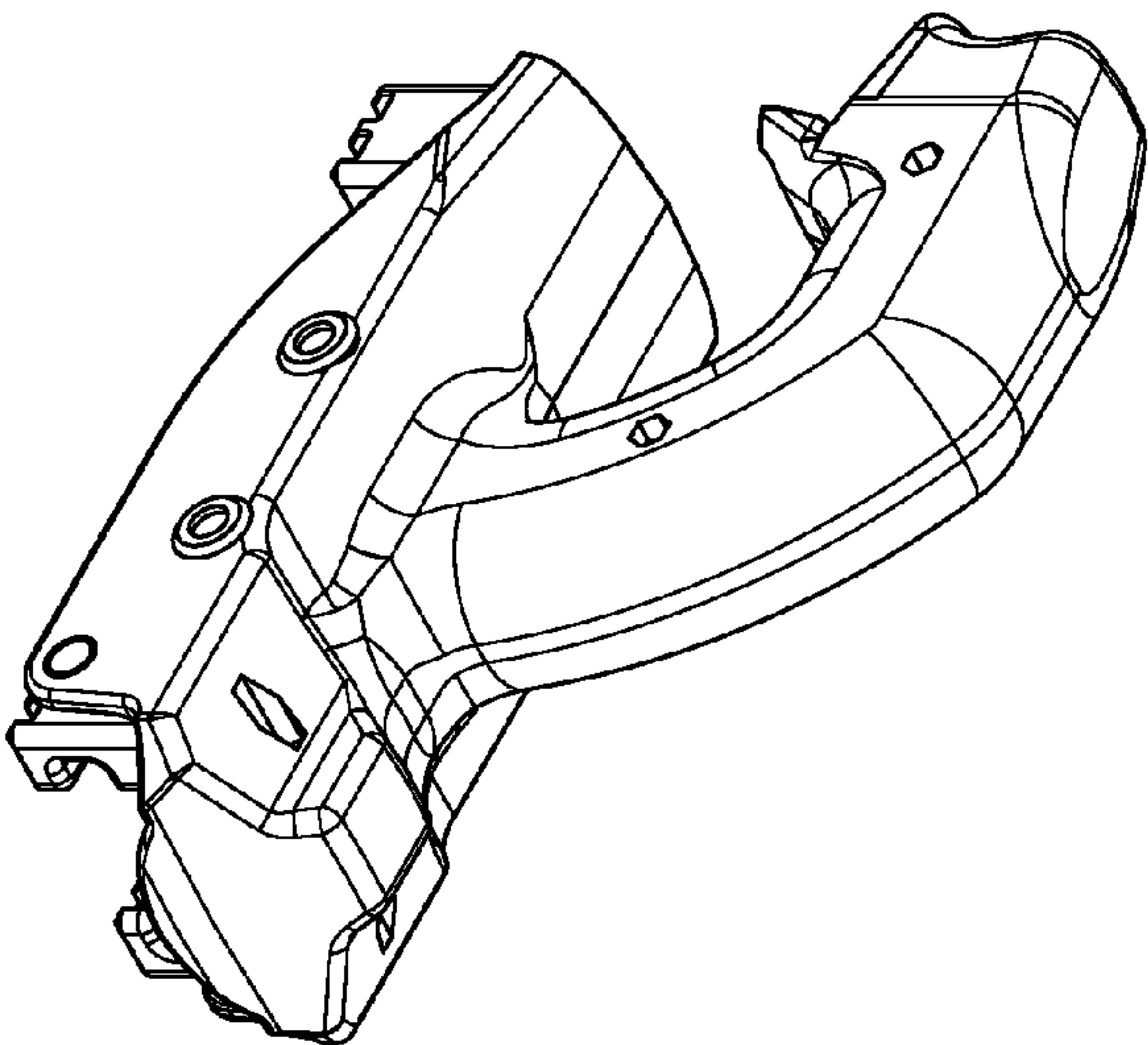


FIG. 13

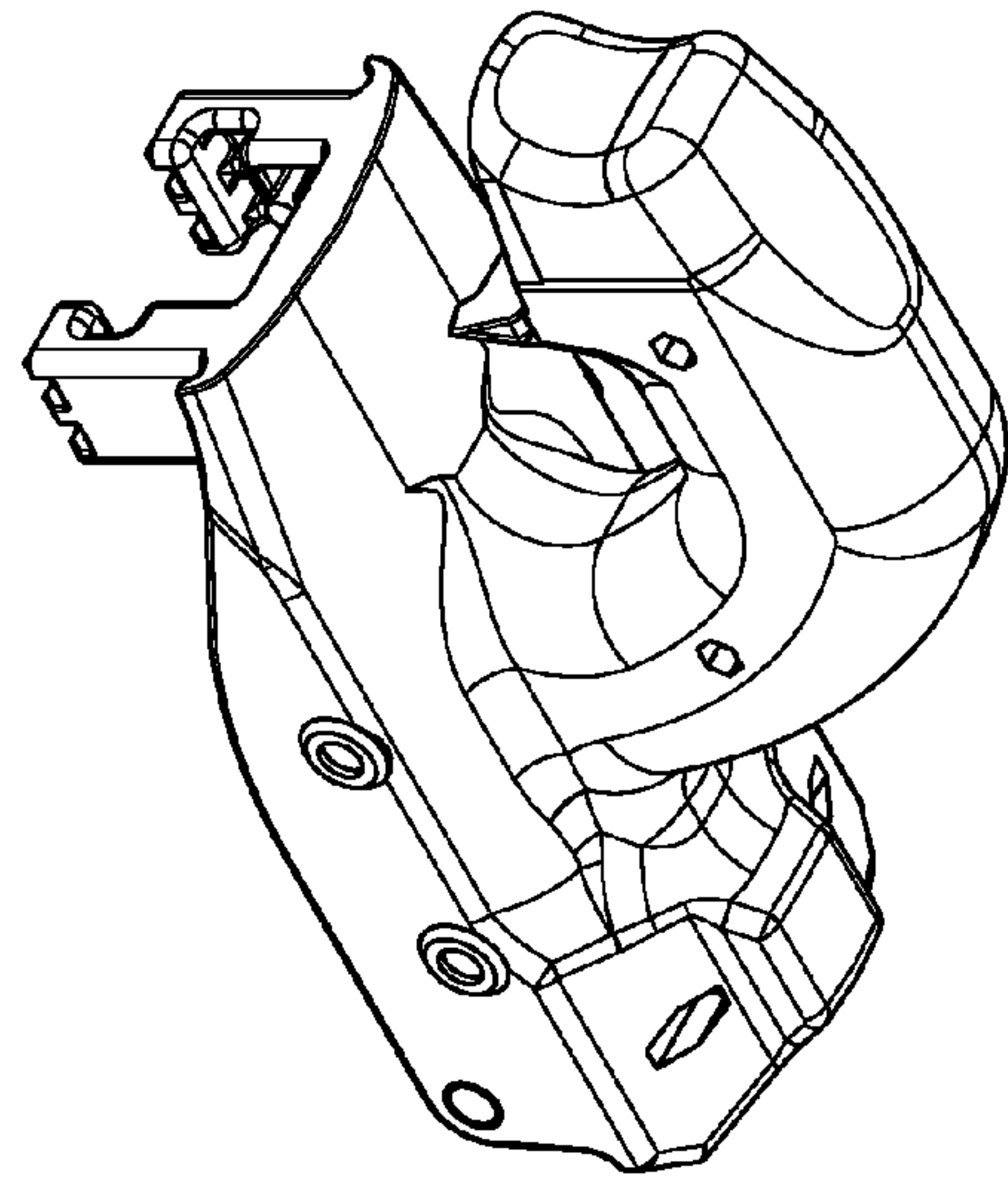


FIG. 14