



US00D614721S

(12) **United States Design Patent**
Fitzpatrick et al.

(10) **Patent No.:** **US D614,721 S**
(45) **Date of Patent:** **** Apr. 27, 2010**

(54) **AMMUNITION MAGAZINE FOR RIFLE**

(75) Inventors: **Richard M. Fitzpatrick**, Longmont, CO (US); **Michael T. Mayberry**, Denver, CO (US); **Nick Booras**, Arvada, CO (US); **Brian L. Nakayama**, Arvada, CO (US); **Eric S. Nakayama**, Broomfield, CO (US); **Justin Juarez**, Wheatland, WY (US)

(73) Assignee: **Magpul Industries Corp.**, Boulder, CO (US)

(**) Term: **14 Years**

(21) Appl. No.: **29/330,992**

(22) Filed: **Jan. 16, 2009**

Related U.S. Application Data

(63) Continuation-in-part of application No. 11/958,274, filed on Dec. 17, 2007.

(51) **LOC (9) Cl.** **22-01**

(52) **U.S. Cl.** **D22/108**

(58) **Field of Classification Search** D22/100–116;
D21/572, 573; 124/66–67, 74; 42/51, 71.01,
42/75.01, 75.02, 90, 94; 362/110; 33/241;
89/40.06, 37.04, 33.04, 191.01

See application file for complete search history.

(56) **References Cited**

U.S. PATENT DOCUMENTS

2,903,809	A *	9/1959	Stoner	42/50
4,139,959	A *	2/1979	Howard et al.	42/50
5,149,897	A *	9/1992	Howard	42/50
7,533,483	B1 *	5/2009	Alzamora et al.	42/50
D593,633	S *	6/2009	Fitzpatrick et al.	D22/108
D593,635	S *	6/2009	Fitzpatrick et al.	D22/108
D600,303	S *	9/2009	Fitzpatrick et al.	D22/108

* cited by examiner

Primary Examiner—T. Chase Nelson

Assistant Examiner—Michael A Pratt

(74) *Attorney, Agent, or Firm*—Geoffrey E. Dobbin

(57) **CLAIM**

The ornamental design for an ammunition magazine for rifle, as shown and described.

DESCRIPTION

FIG. 1 is a left/top/rear perspective view of the ammunition magazine for rifle.

FIG. 2 is a left plan view of the ammunition magazine for rifle.

FIG. 3 is a right plan view of the ammunition magazine for rifle.

FIG. 4 is a front plan view of the ammunition magazine for rifle.

FIG. 5 is a rear plan view of the ammunition magazine for rifle.

FIG. 6 is a top plan view of the ammunition magazine for rifle.

FIG. 7 is a bottom plan view of the ammunition magazine for rifle.

FIG. 8 is a right/top/front perspective view of the ammunition magazine for rifle.

FIG. 9 is a right/bottom/front perspective view of the ammunition magazine for rifle.

FIG. 10 is a left/bottom/front perspective view of the ammunition magazine for rifle.

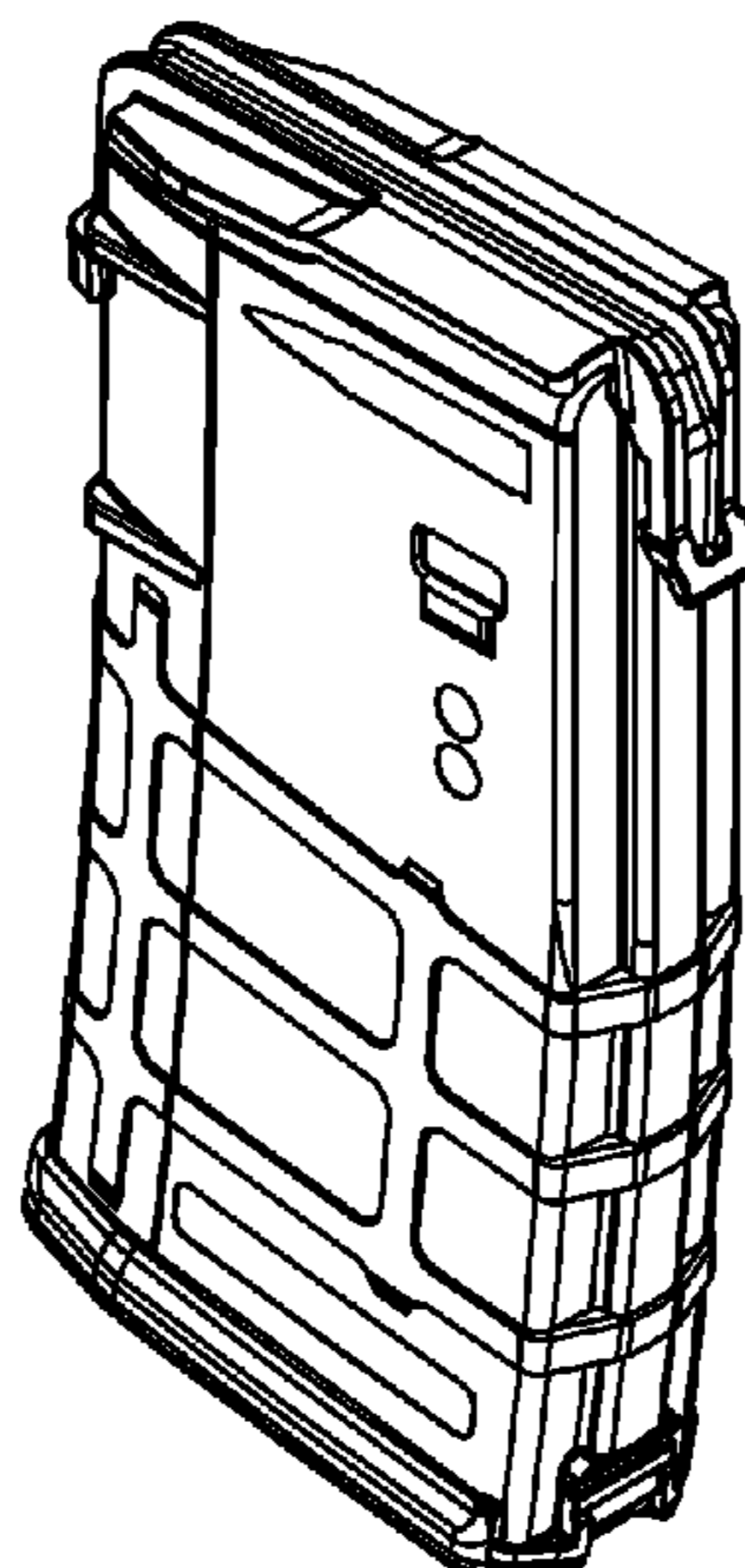
FIG. 11 is a left/top/front perspective view of the ammunition magazine for rifle.

FIG. 12 is a left/bottom/rear perspective view of the ammunition magazine for rifle.

FIG. 13 is a right/top/rear perspective view of the ammunition magazine for rifle; and,

FIG. 14 is a right/bottom/rear perspective view of the ammunition magazine for rifle.

1 Claim, 4 Drawing Sheets



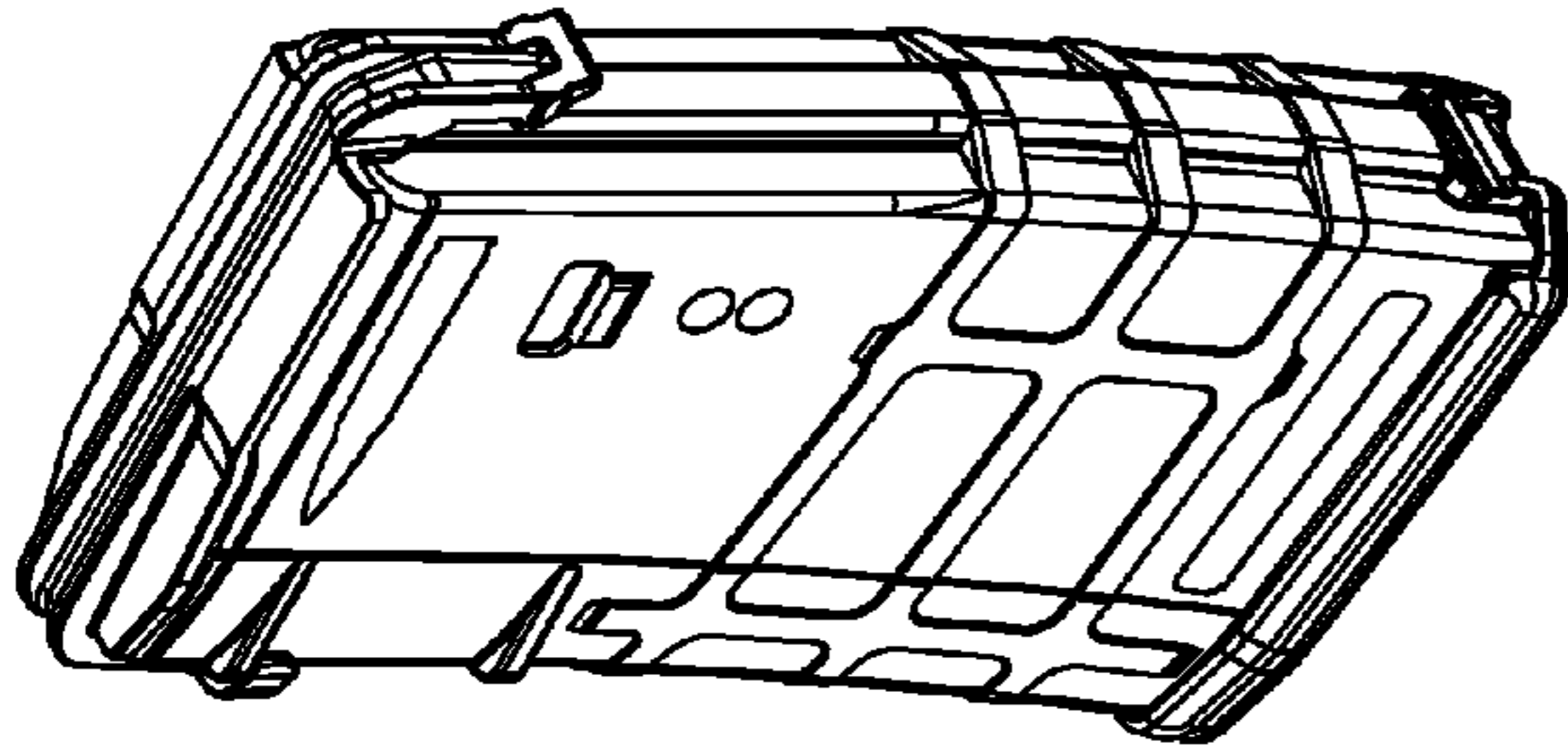


FIG. 1

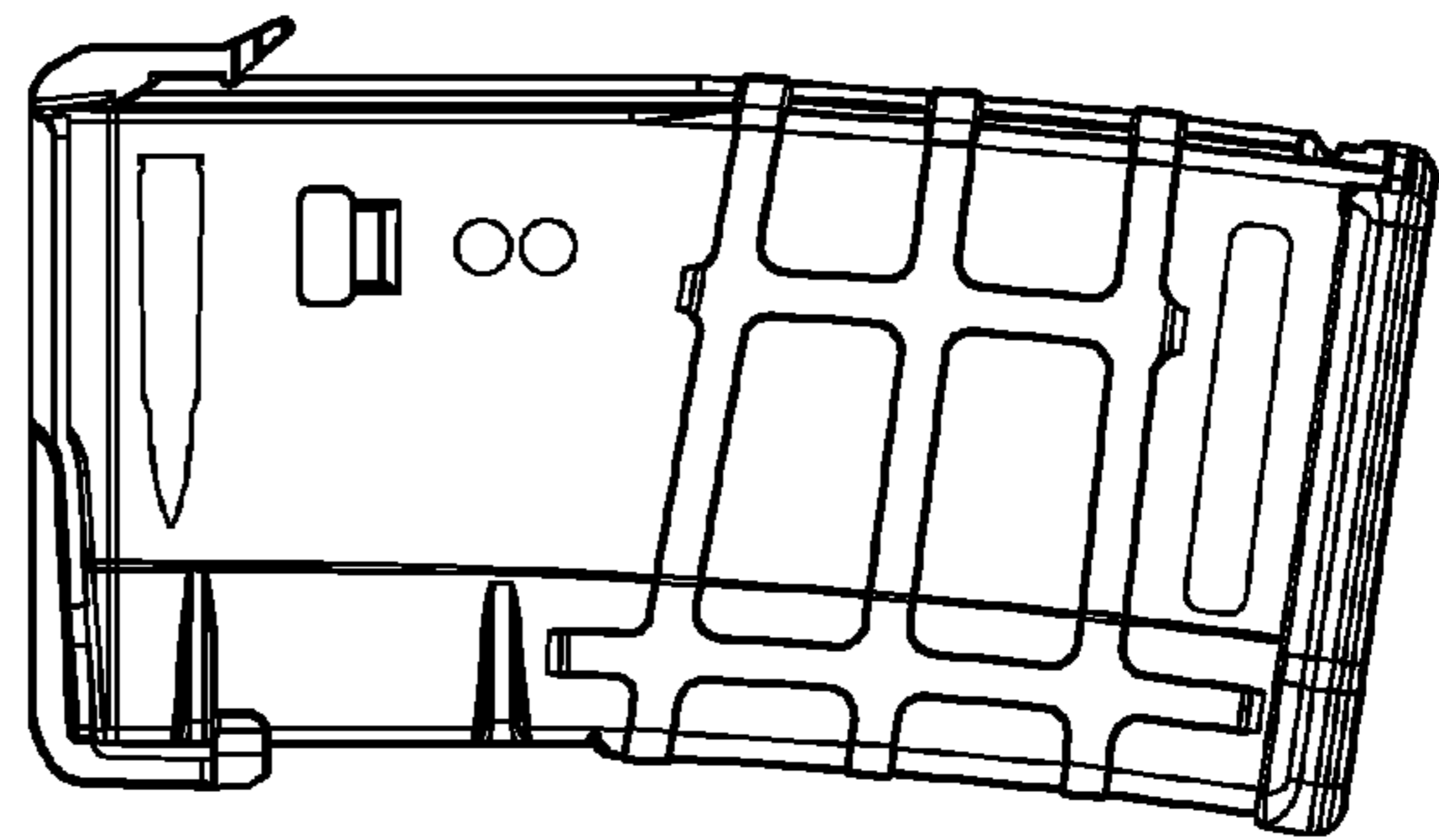


FIG. 2

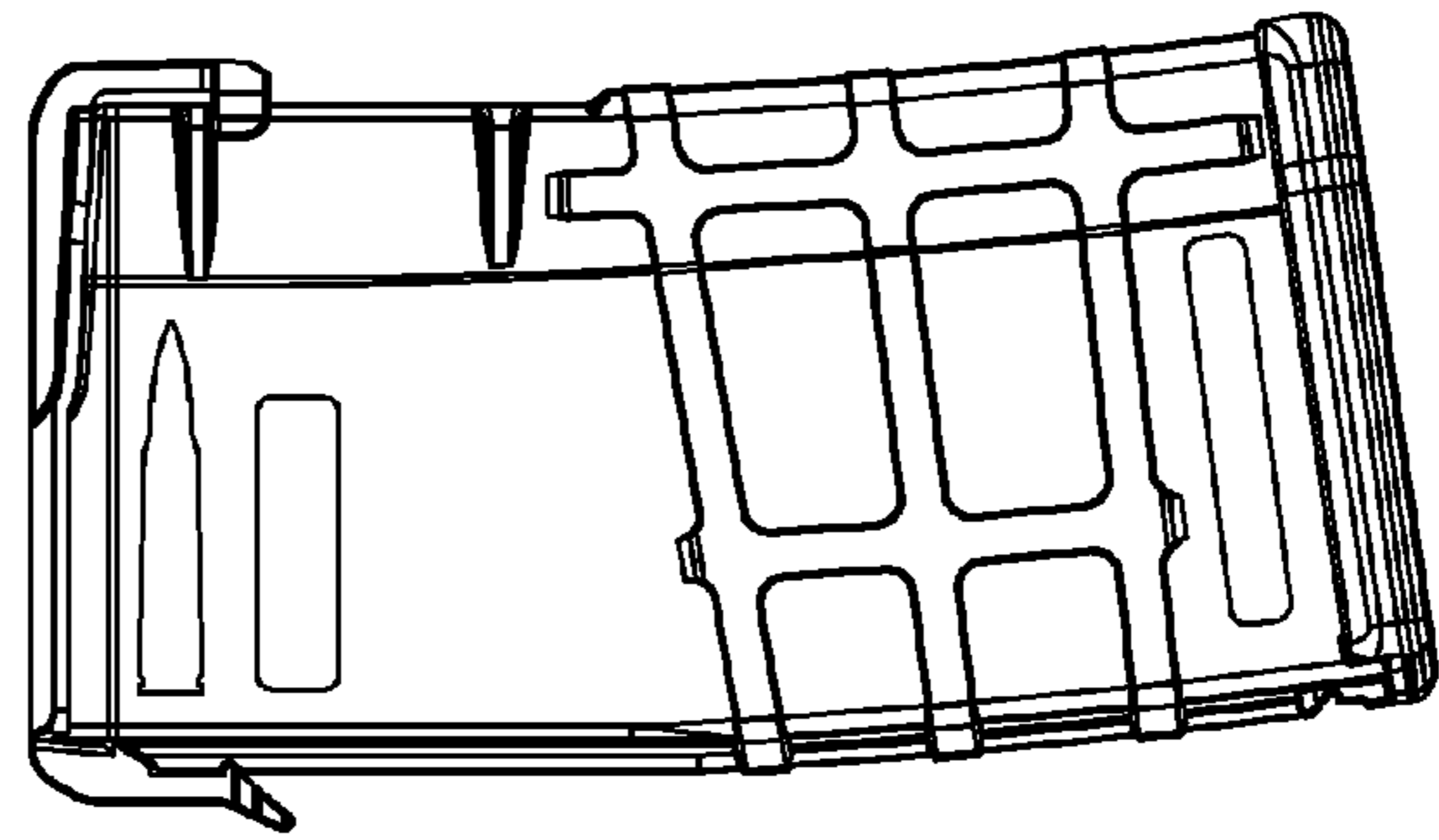


FIG. 3

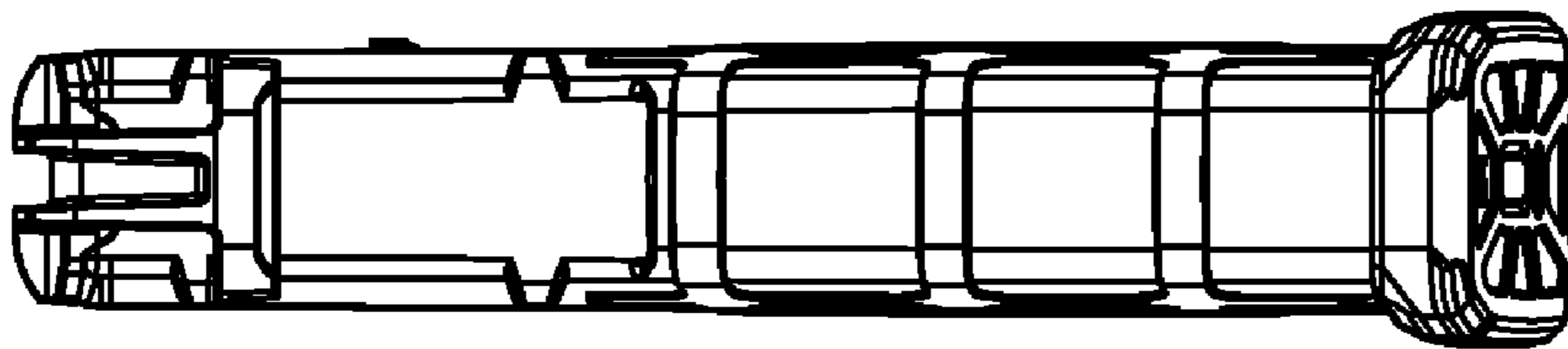


FIG. 4

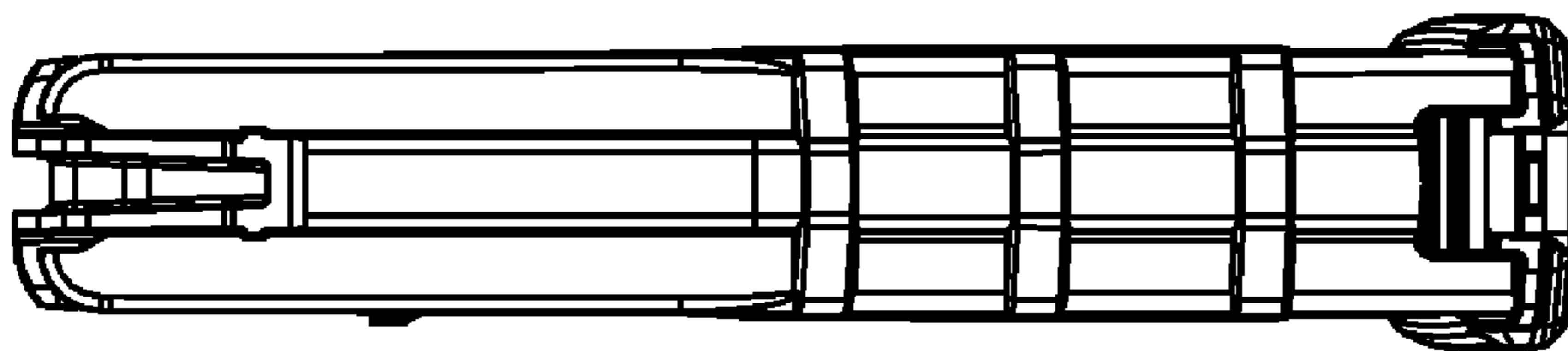


FIG. 5

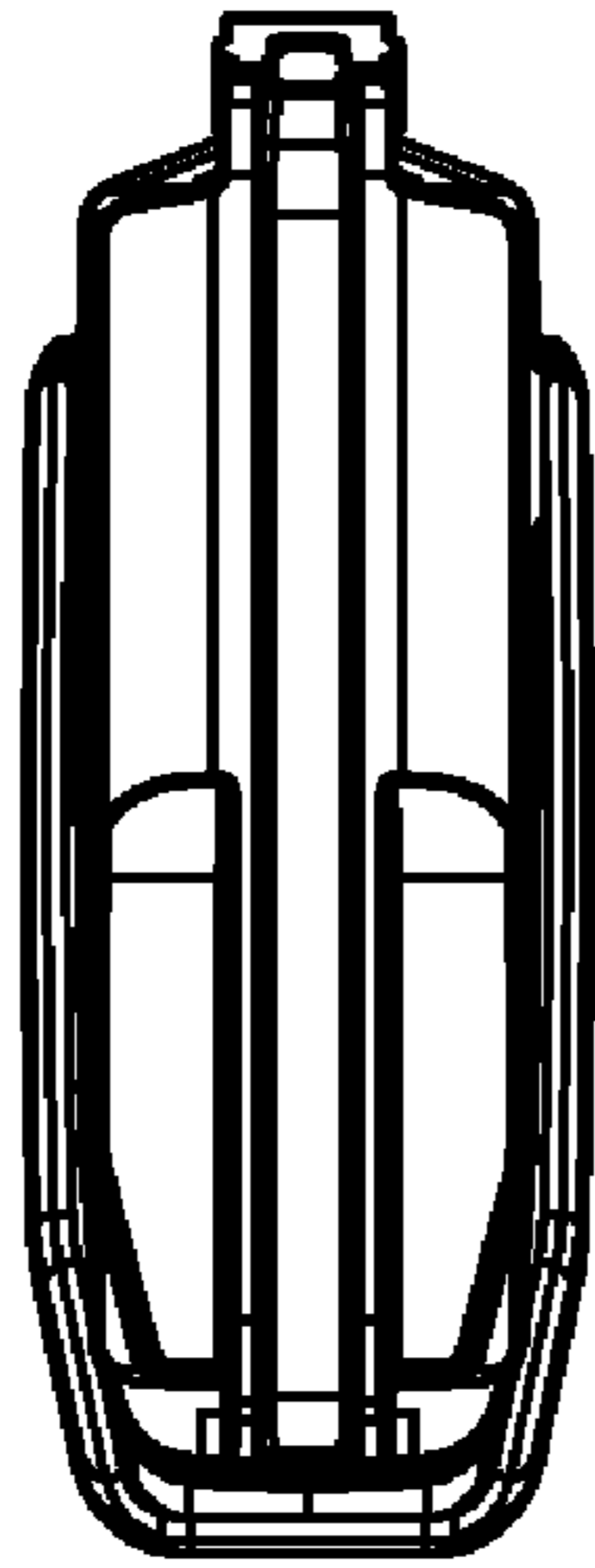


FIG. 6

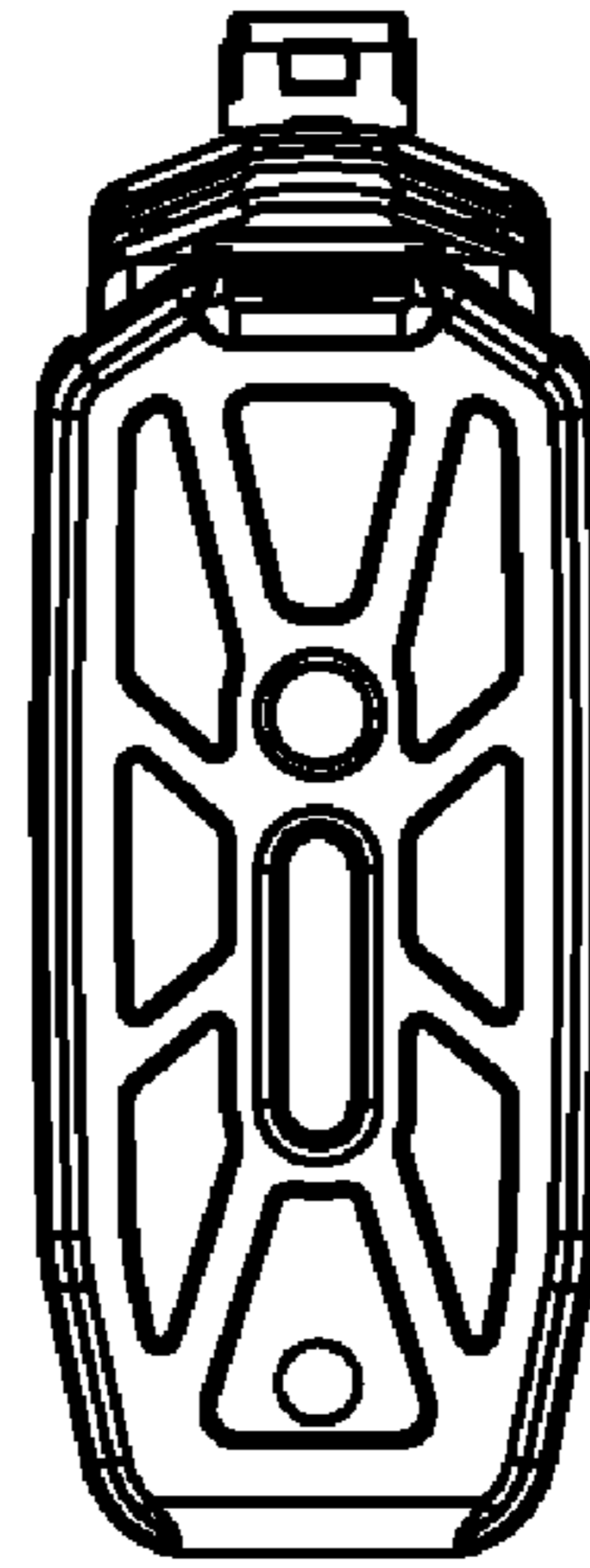


FIG. 7

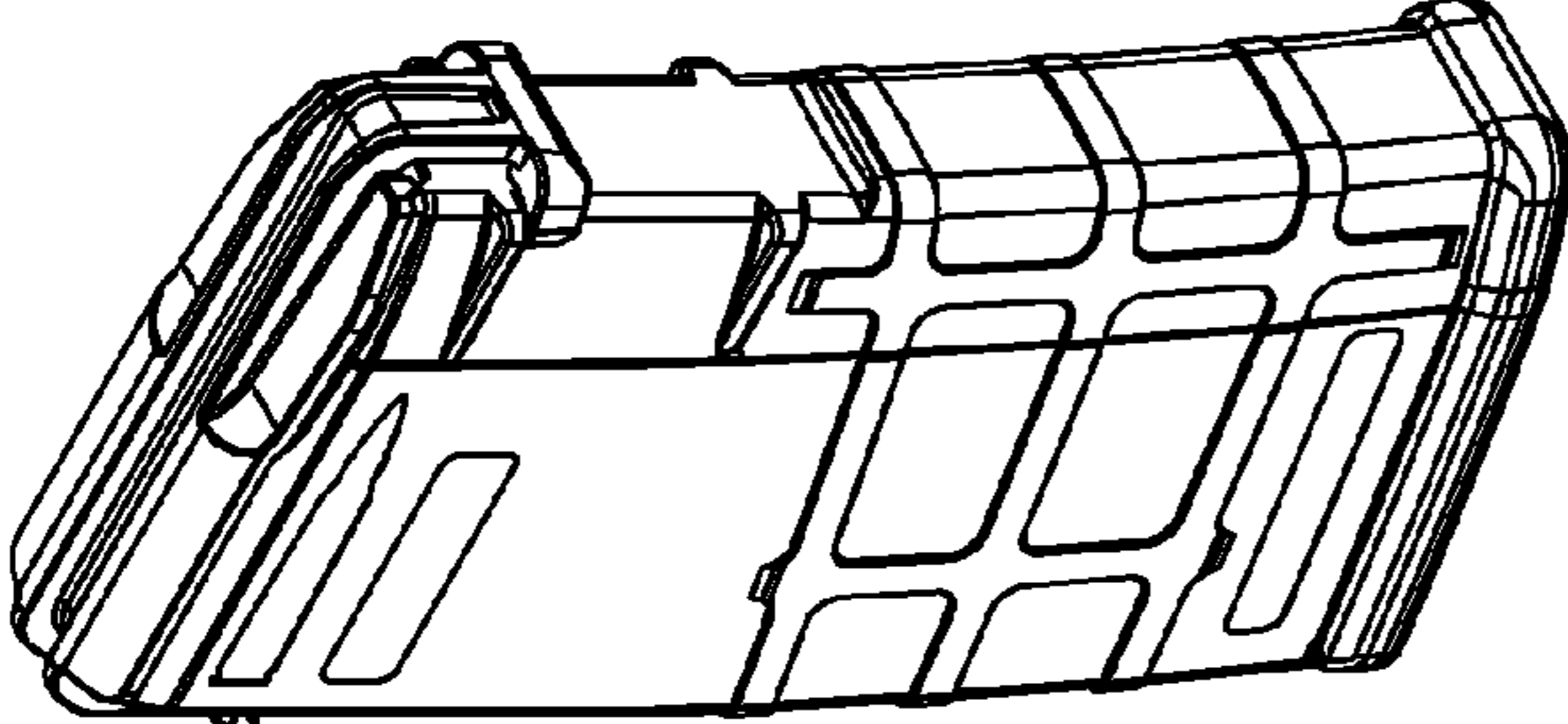


FIG. 8

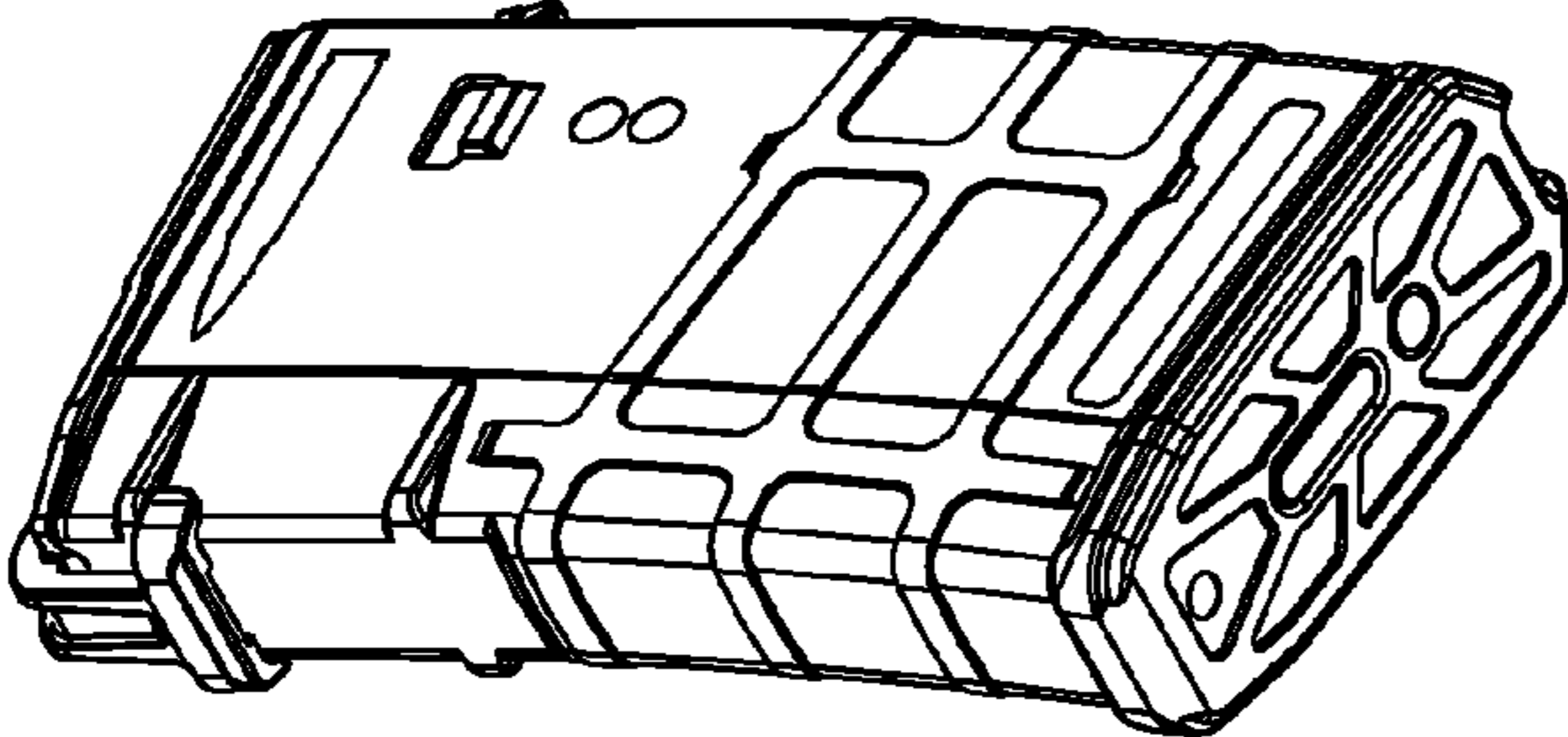


FIG. 9

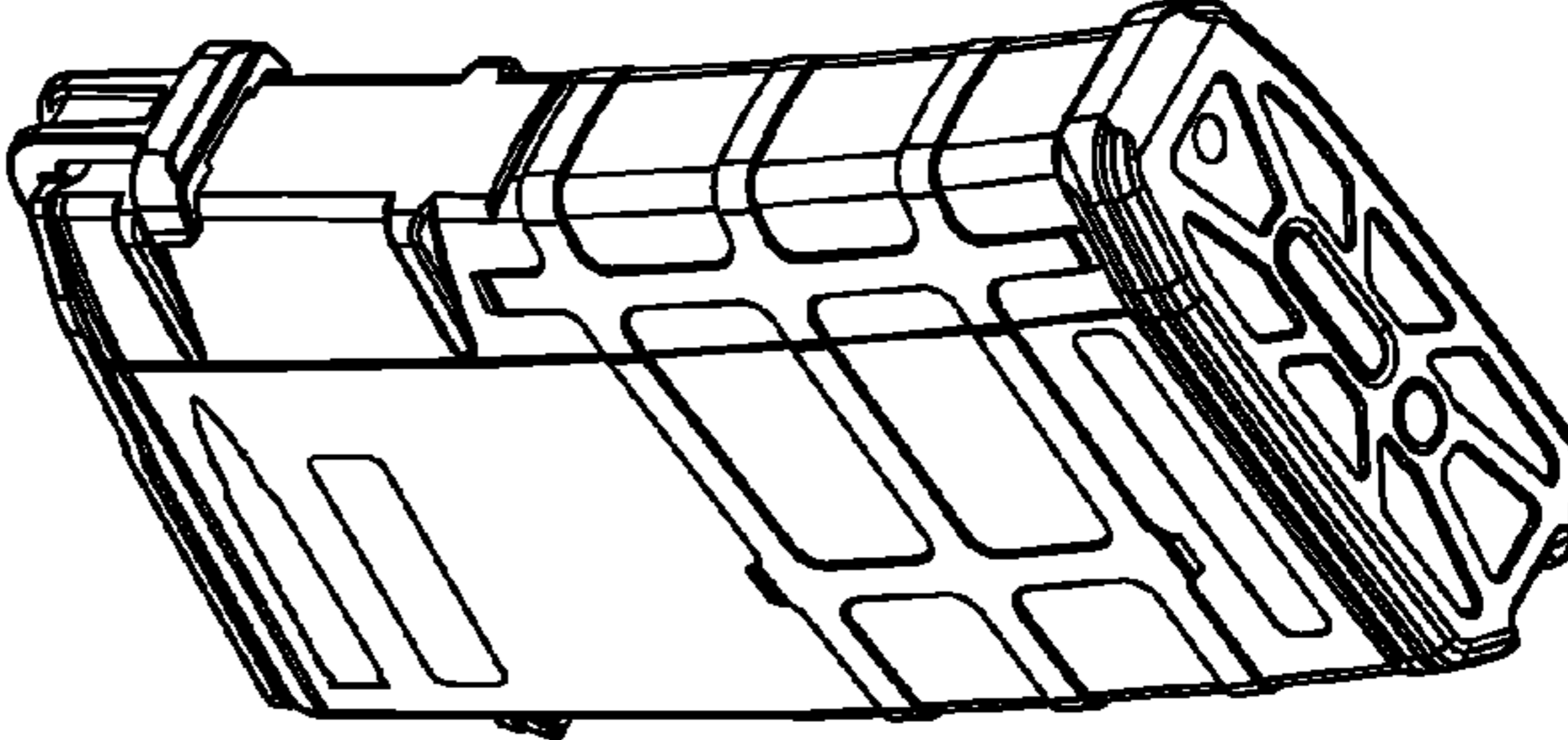


FIG. 10

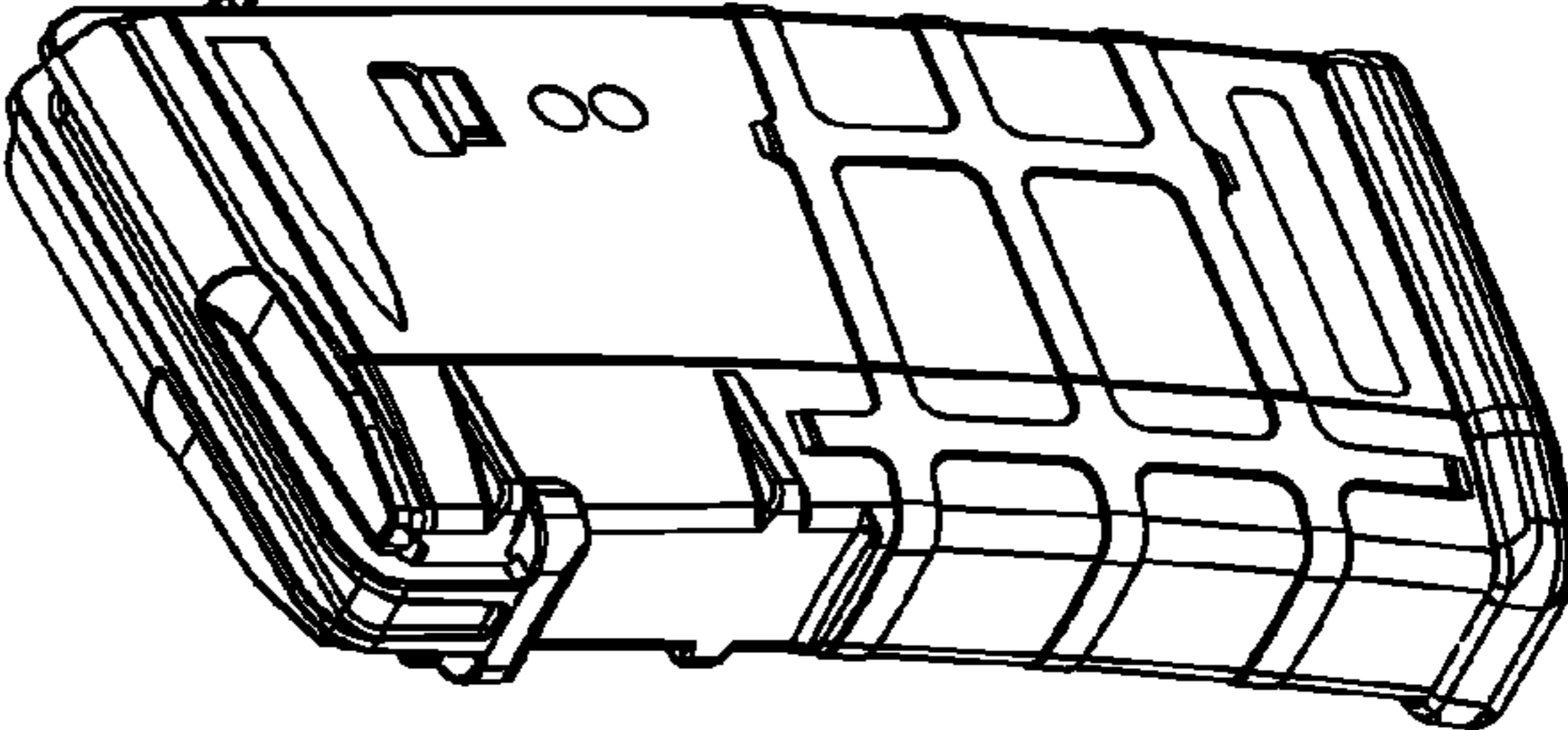


FIG. 11

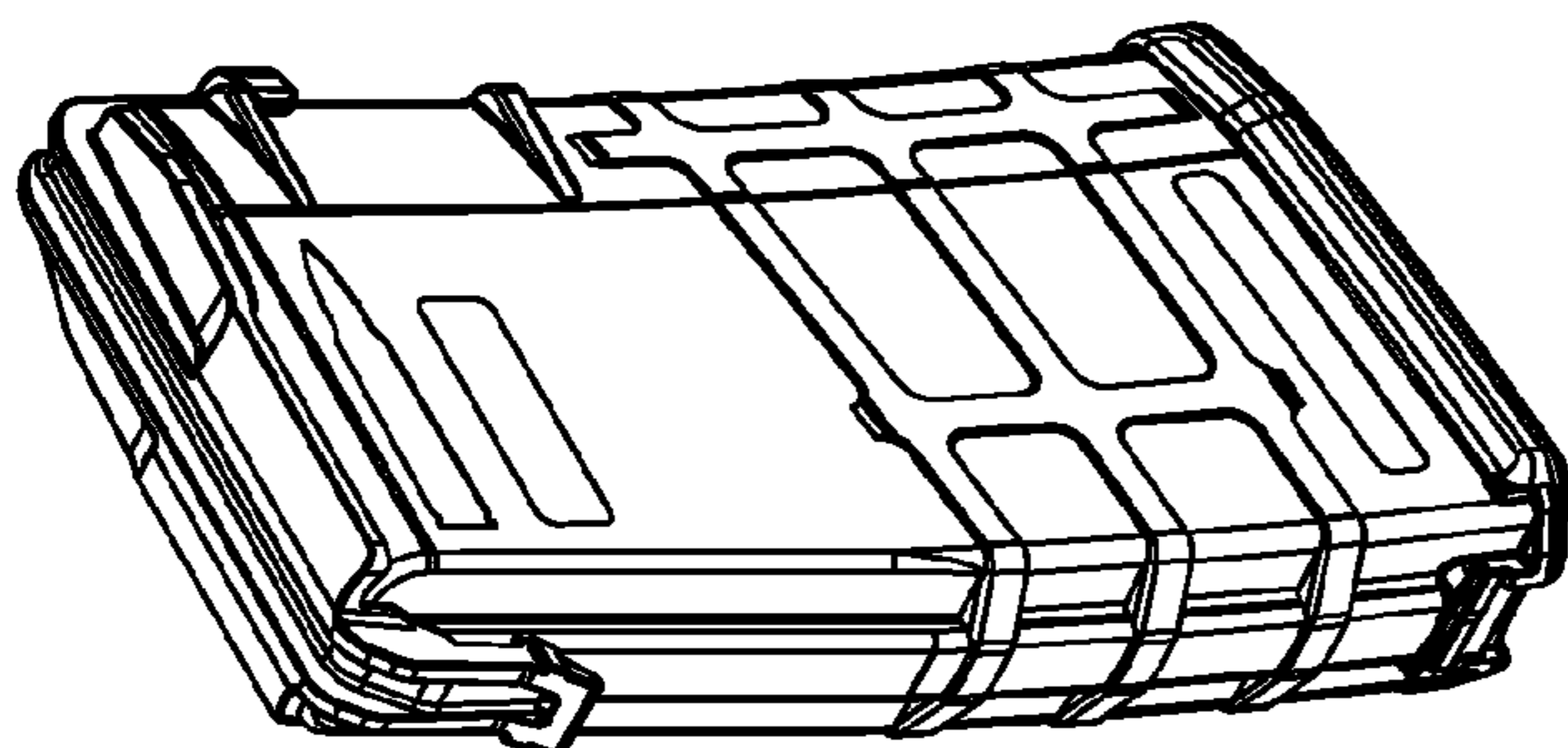


FIG. 12

FIG. 13

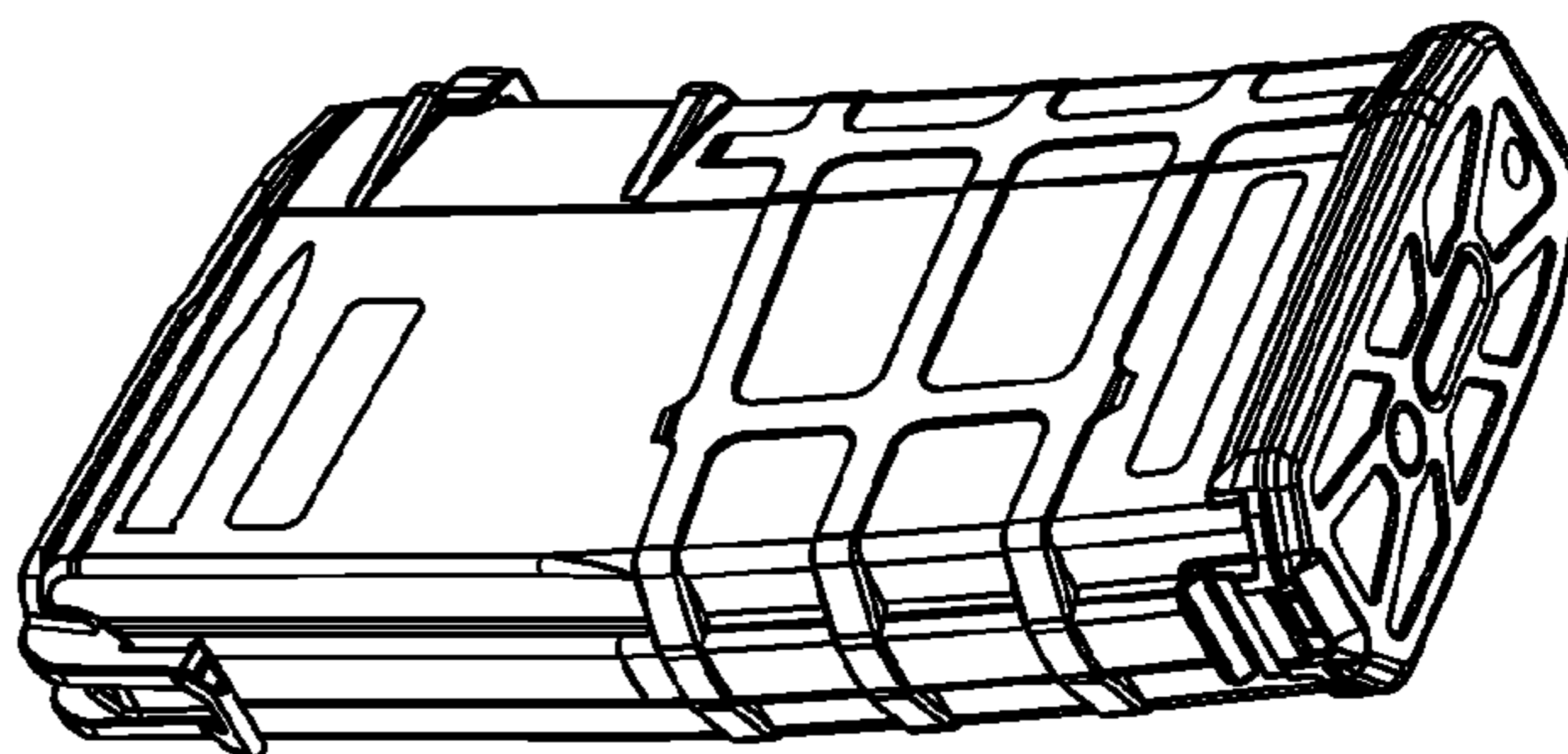


FIG. 14

