



US00D614719S

(12) **United States Design Patent**  
**Fitzpatrick et al.**

(10) **Patent No.:** **US D614,719 S**  
(45) **Date of Patent:** **\*\* Apr. 27, 2010**

(54) **CASING FOR AN AMMUNITION MAGAZINE FOR RIFLE**

(74) *Attorney, Agent, or Firm*—Geoffrey E. Dobbin

(75) Inventors: **Richard M. Fitzpatrick**, Longmont, CO (US); **Michael T. Mayberry**, Denver, CO (US); **Nick Booras**, Arvada, CO (US); **Drake Clark**, Longmont, CO (US)

(57) **CLAIM**

The ornamental design for a casing for an ammunition magazine for rifle, as shown and described.

(73) Assignee: **Magpul Industries Corp.**, Boulder, CO (US)

**DESCRIPTION**

(\*\*) Term: **14 Years**

FIG. 1 is a left/top/rear perspective view of the casing for an ammunition magazine for rifle.

(21) Appl. No.: **29/330,914**

FIG. 2 is a left plan view of the casing for an ammunition magazine for rifle.

(22) Filed: **Jan. 15, 2009**

FIG. 3 is a right plan view of the casing for an ammunition magazine for rifle.

**Related U.S. Application Data**

FIG. 4 is a front plan view of the casing for an ammunition magazine for rifle.

(63) Continuation-in-part of application No. 11/958,274, filed on Dec. 17, 2007.

FIG. 5 is a rear plan view of the casing for an ammunition magazine for rifle.

(51) **LOC (9) Cl.** ..... **22-01**

FIG. 6 is a top plan view of the casing for an ammunition magazine for rifle.

(52) **U.S. Cl.** ..... **D22/108**

FIG. 7 is a bottom plan view of the casing for an ammunition magazine for rifle.

(58) **Field of Classification Search** ..... D22/100–116;  
D21/572, 573; 124/66–67, 74; 42/51, 71.01,  
42/75.01, 75.02, 90, 94; 362/110; 33/241;  
89/40.06, 37.04, 33.04, 191.01

FIG. 8 is a right/top/front perspective view of the casing for an ammunition magazine for rifle.

See application file for complete search history.

FIG. 9 is a right/bottom/front perspective view of the casing for an ammunition magazine for rifle.

(56) **References Cited**

FIG. 10 is a left/bottom/front perspective view of the casing for an ammunition magazine for rifle.

**U.S. PATENT DOCUMENTS**

2,903,809	A *	9/1959	Stoner	.....	42/50
4,139,959	A *	2/1979	Howard et al.	.....	42/50
5,149,897	A *	9/1992	Howard	.....	42/50
7,533,483	B1 *	5/2009	Alzamora et al.	.....	42/50
D593,633	S *	6/2009	Fitzpatrick et al.	.....	D22/108
D593,635	S *	6/2009	Fitzpatrick et al.	.....	D22/108
D600,303	S *	9/2009	Fitzpatrick et al.	.....	D22/108

FIG. 11 is a left/top/front perspective view of the casing for an ammunition magazine for rifle.

FIG. 12 is a left/bottom/rear perspective view of the casing for an ammunition magazine for rifle.

FIG. 13 is a right/top/rear perspective view of the casing for an ammunition magazine for rifle; and,

\* cited by examiner

FIG. 14 is a right/bottom/rear perspective view of the casing for an ammunition magazine for rifle.

*Primary Examiner*—T. Chase Nelson  
*Assistant Examiner*—Michael A Pratt

**1 Claim, 4 Drawing Sheets**

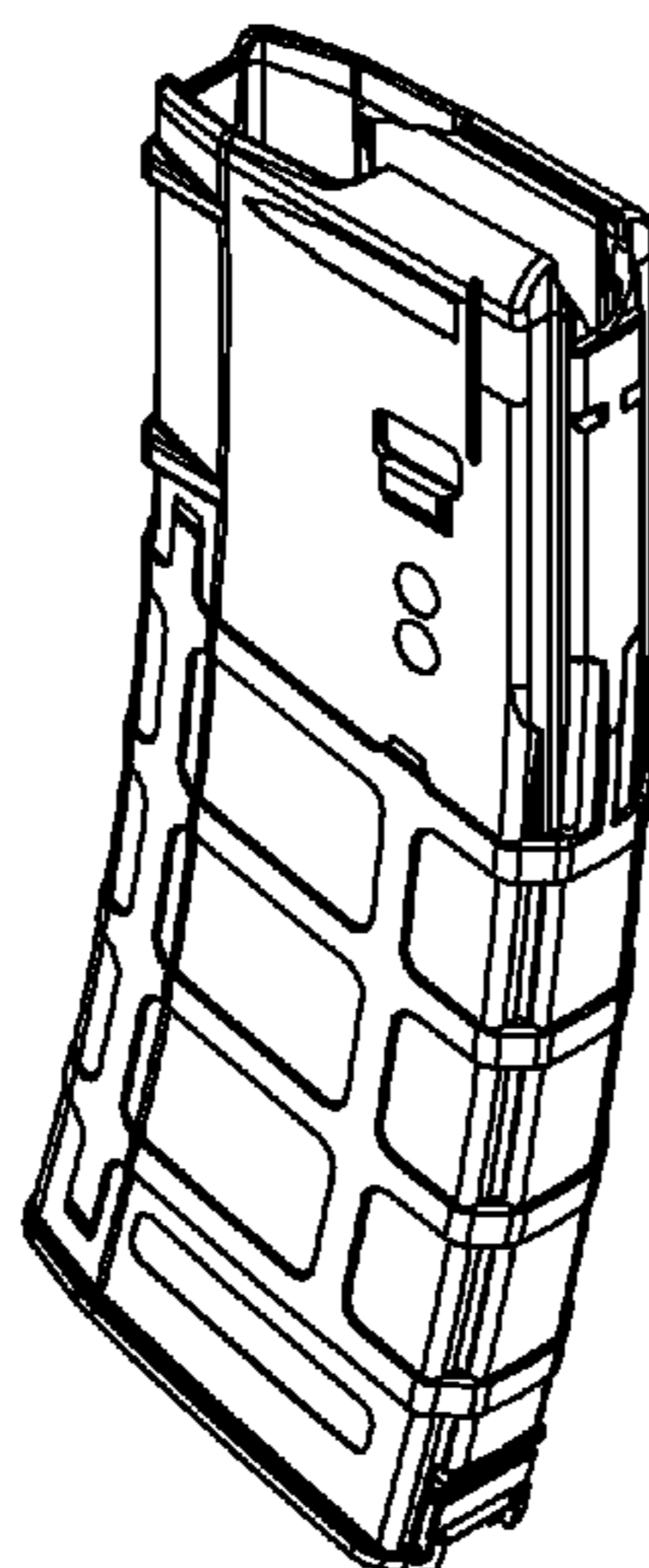


FIG. 1

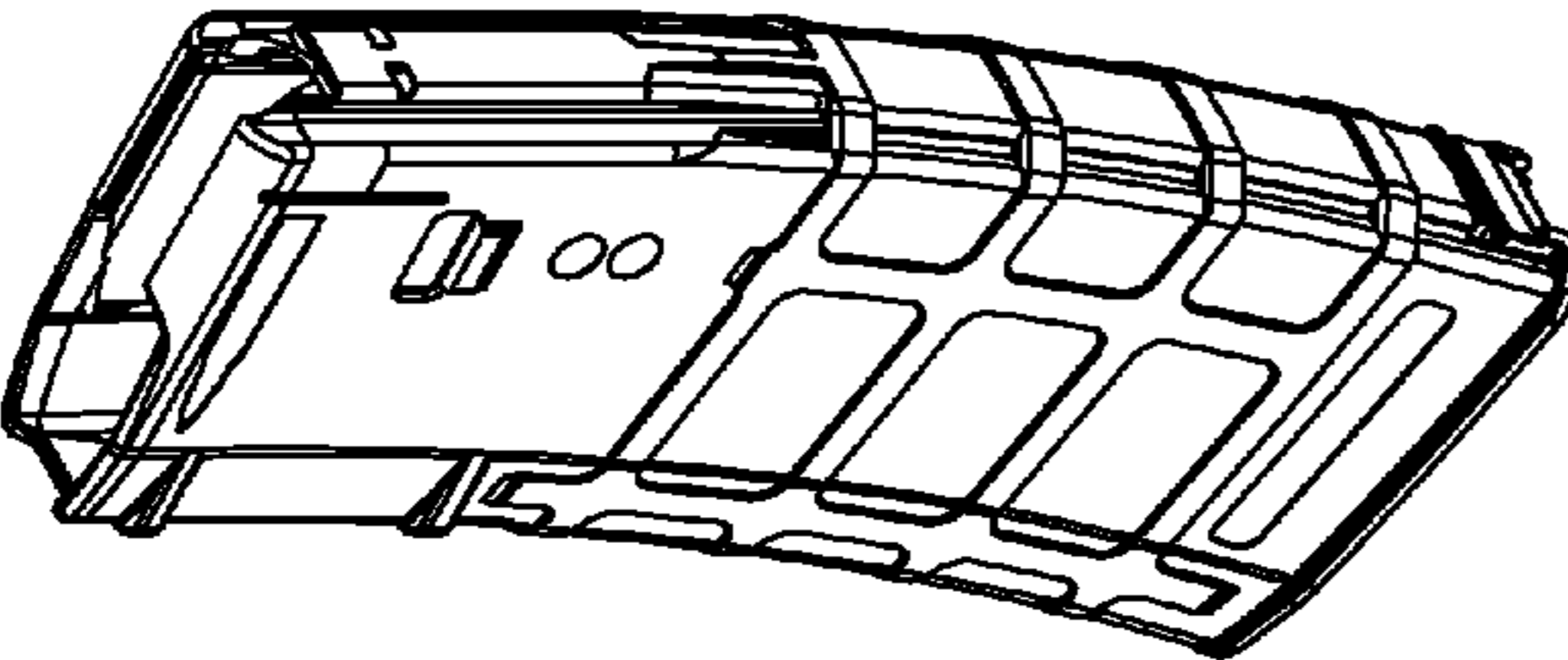


FIG. 3

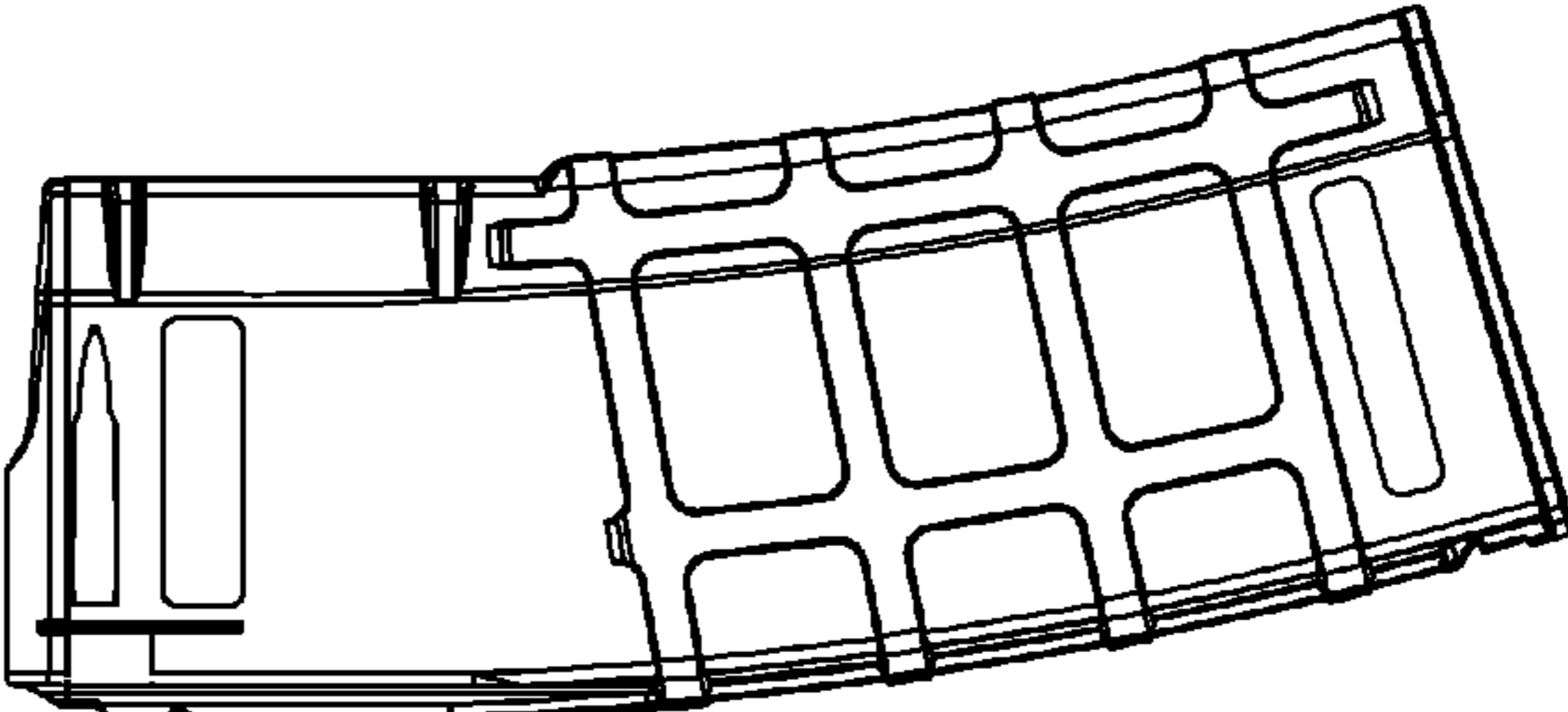
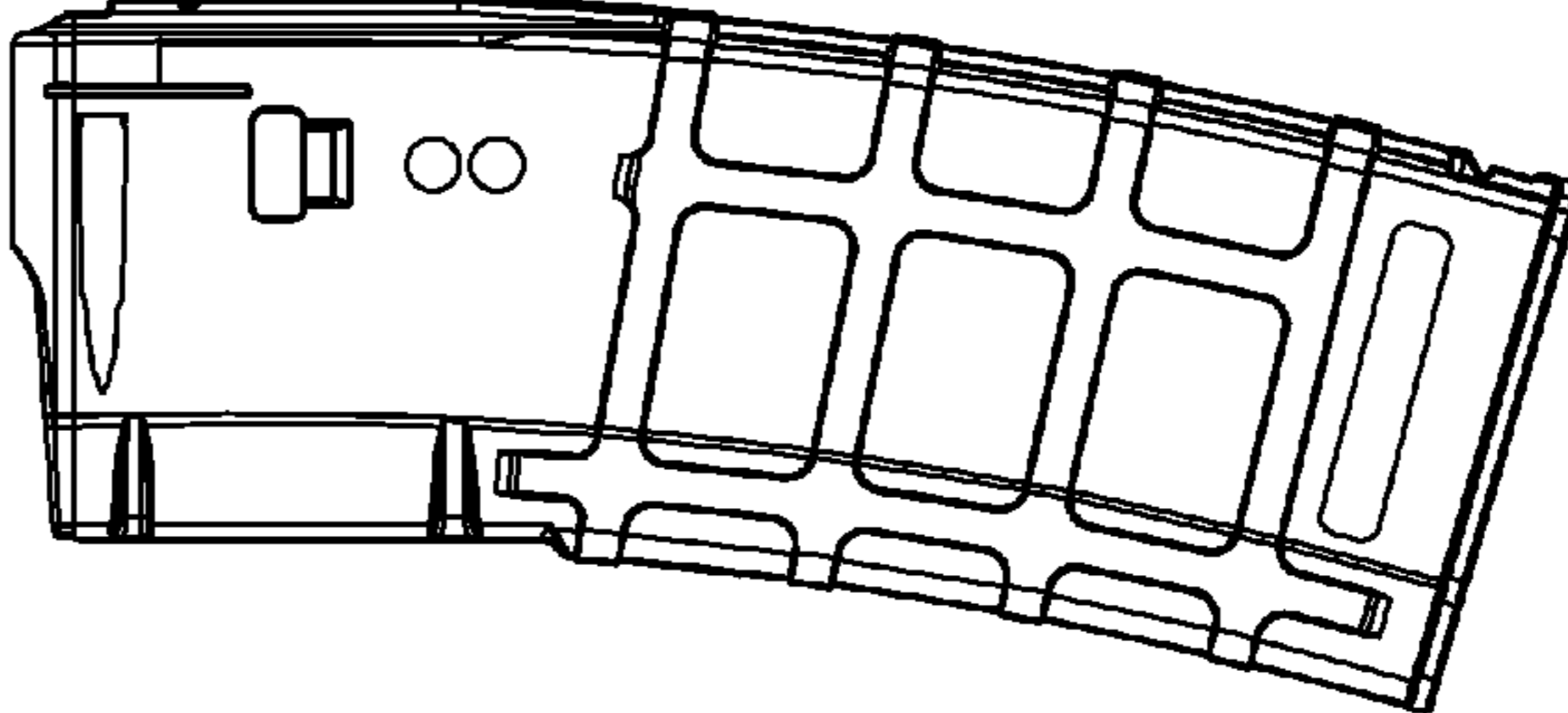


FIG. 2



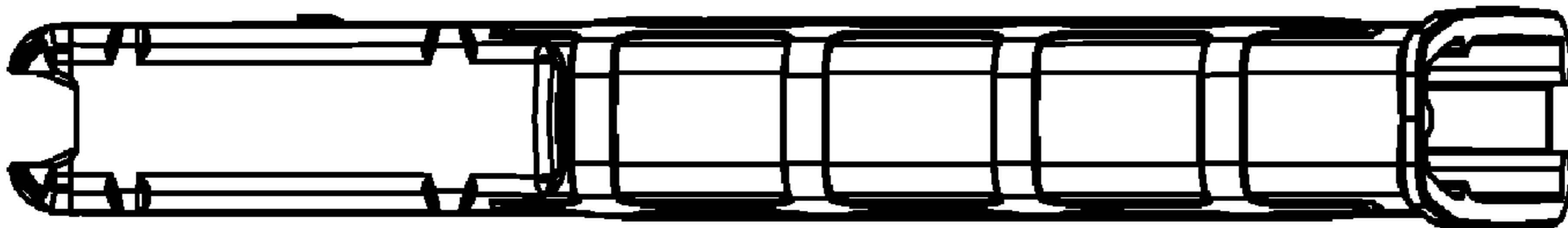


FIG. 4

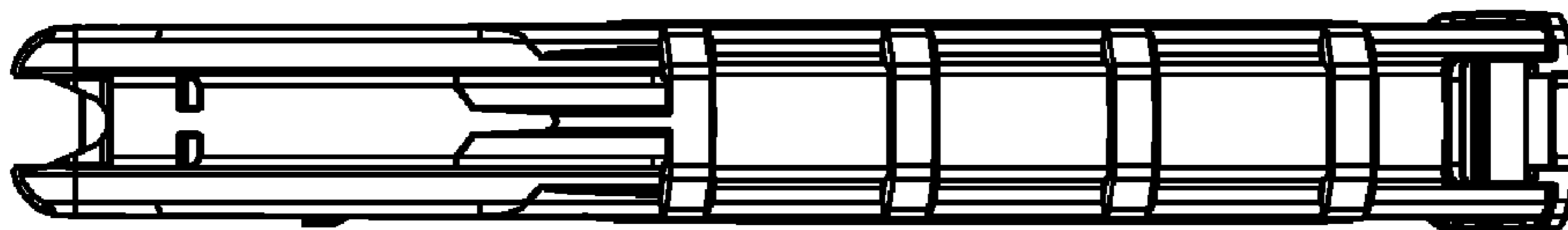


FIG. 5

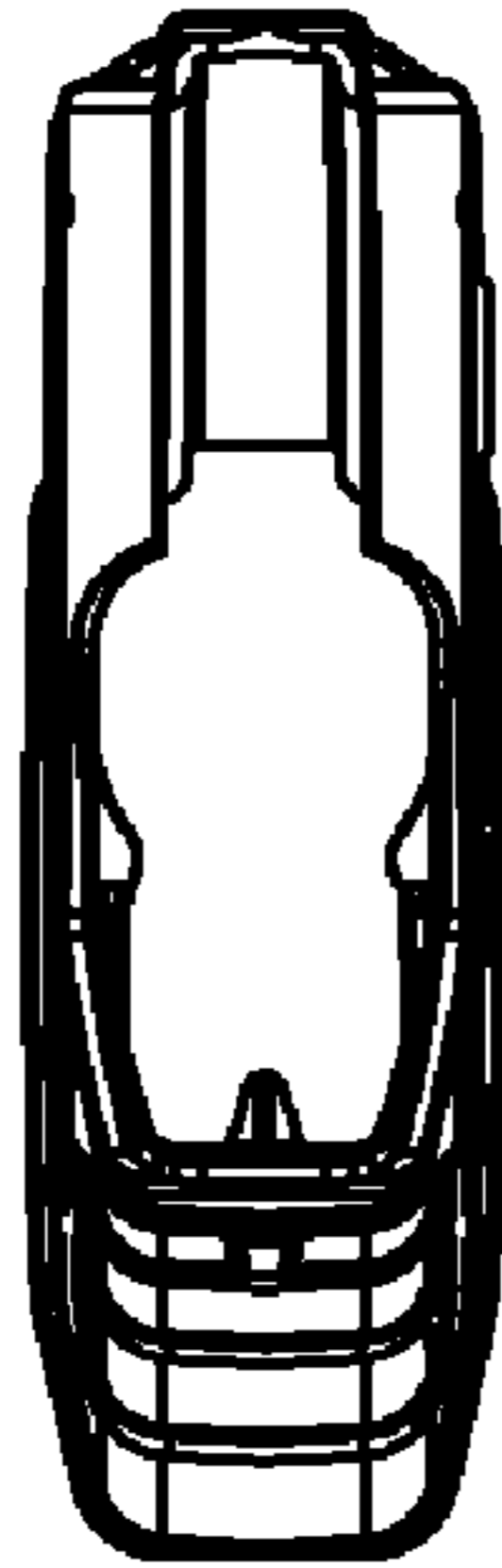


FIG. 6

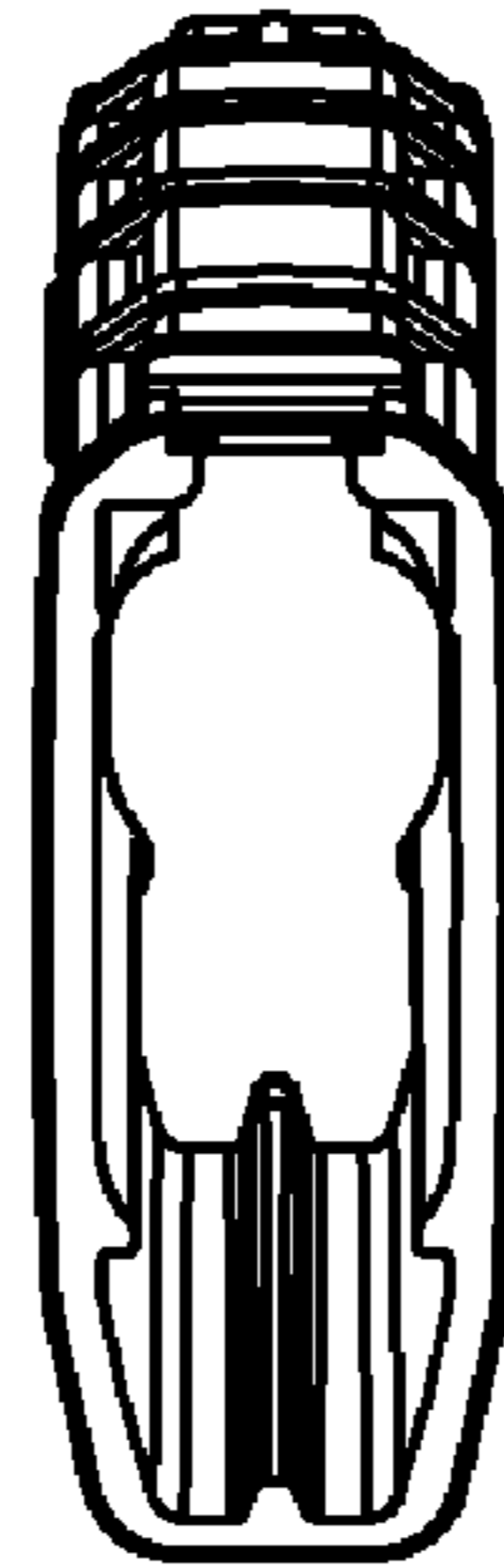


FIG. 7

FIG. 9

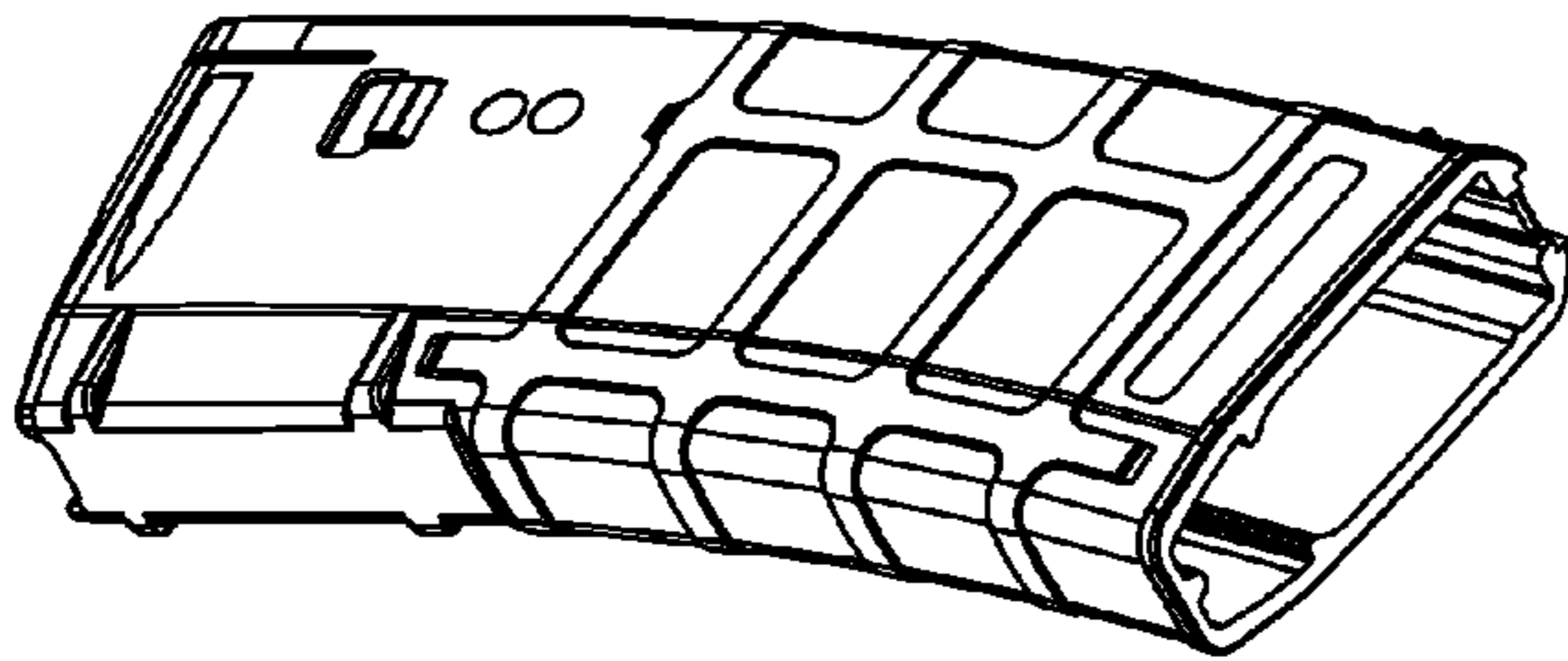
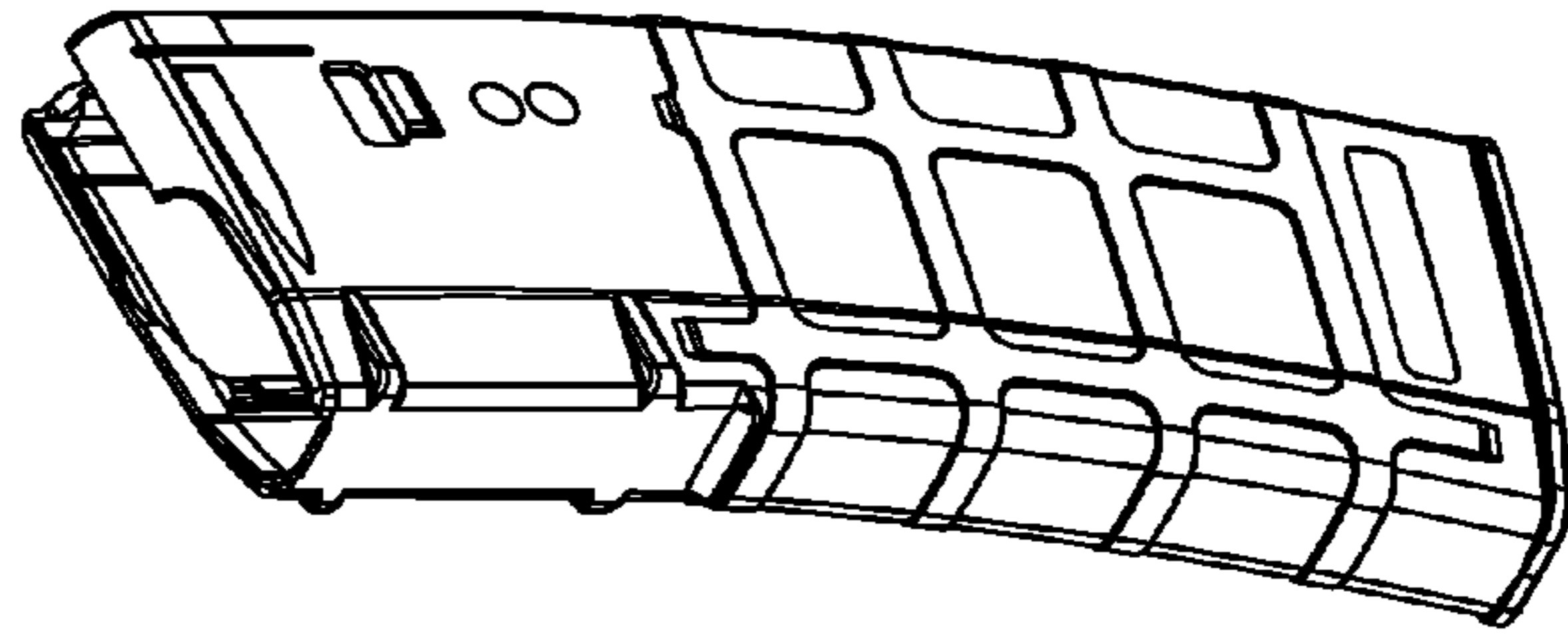
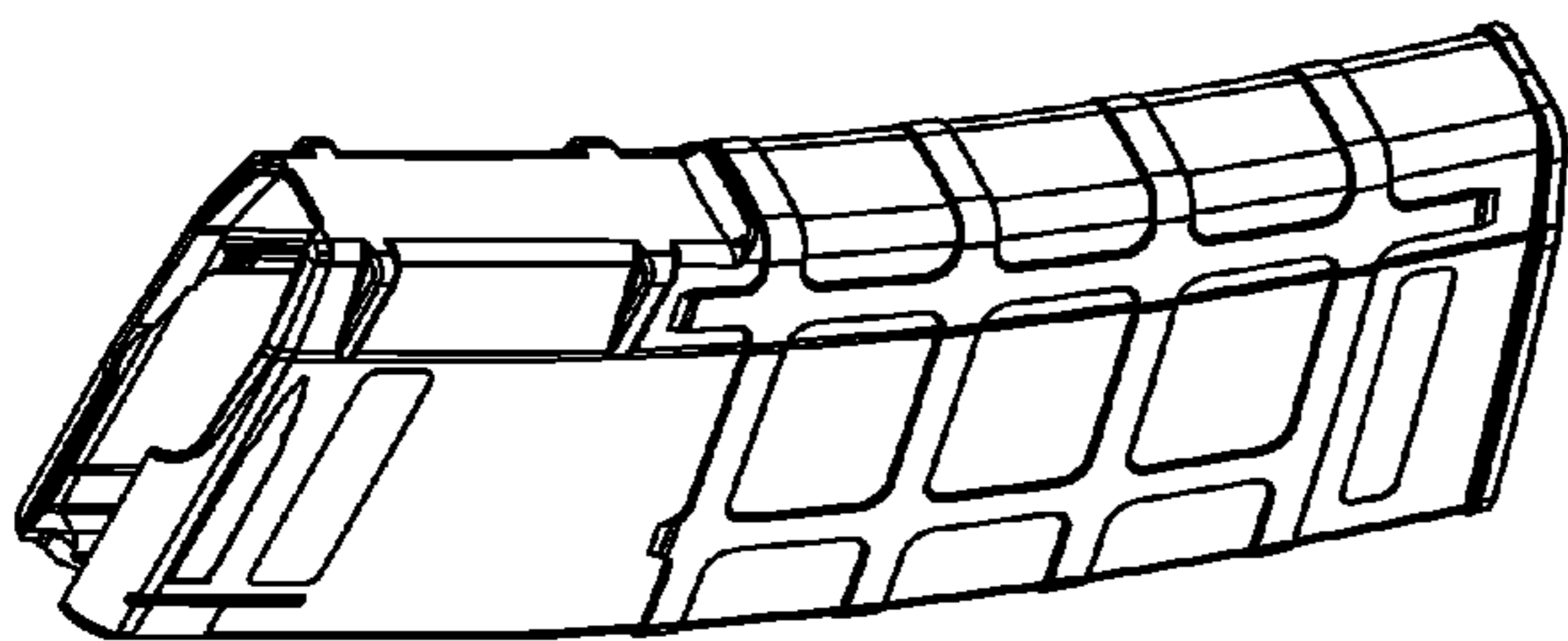
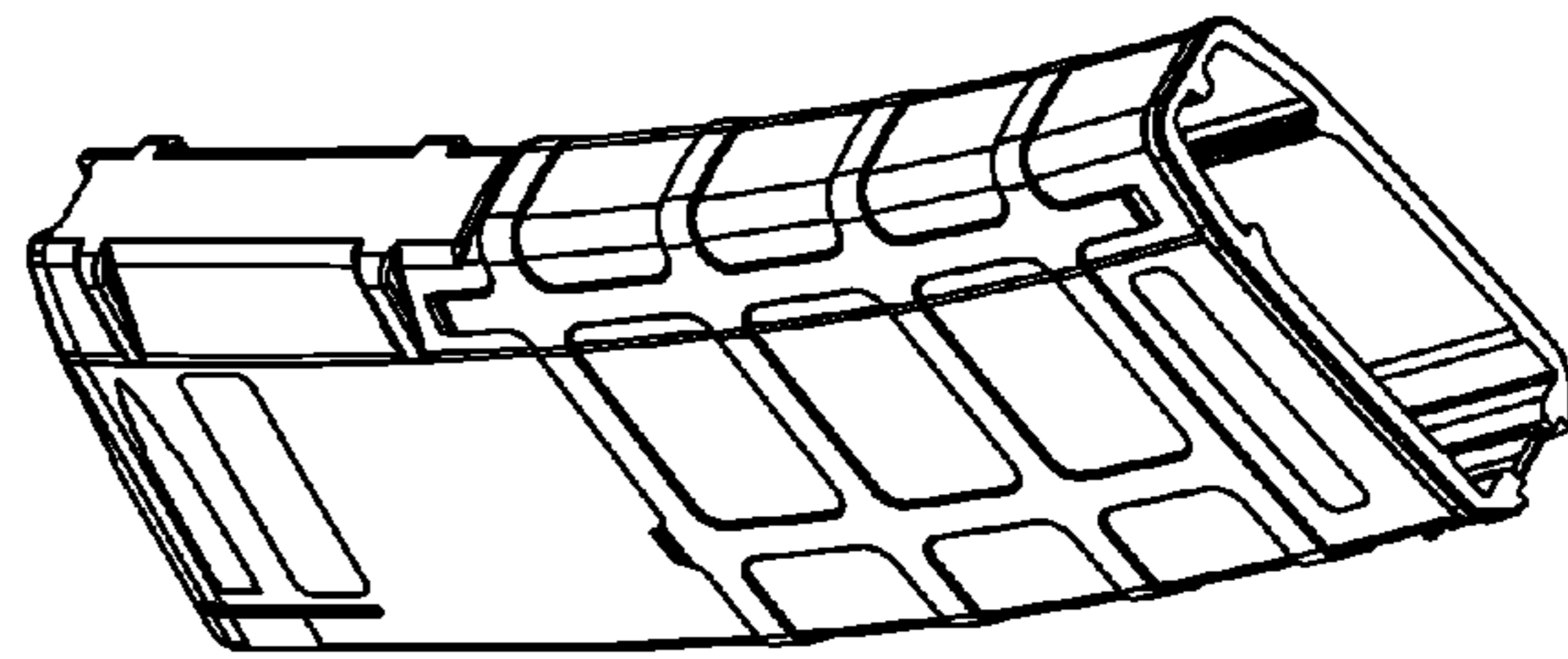


FIG. 11

FIG. 10

FIG. 8



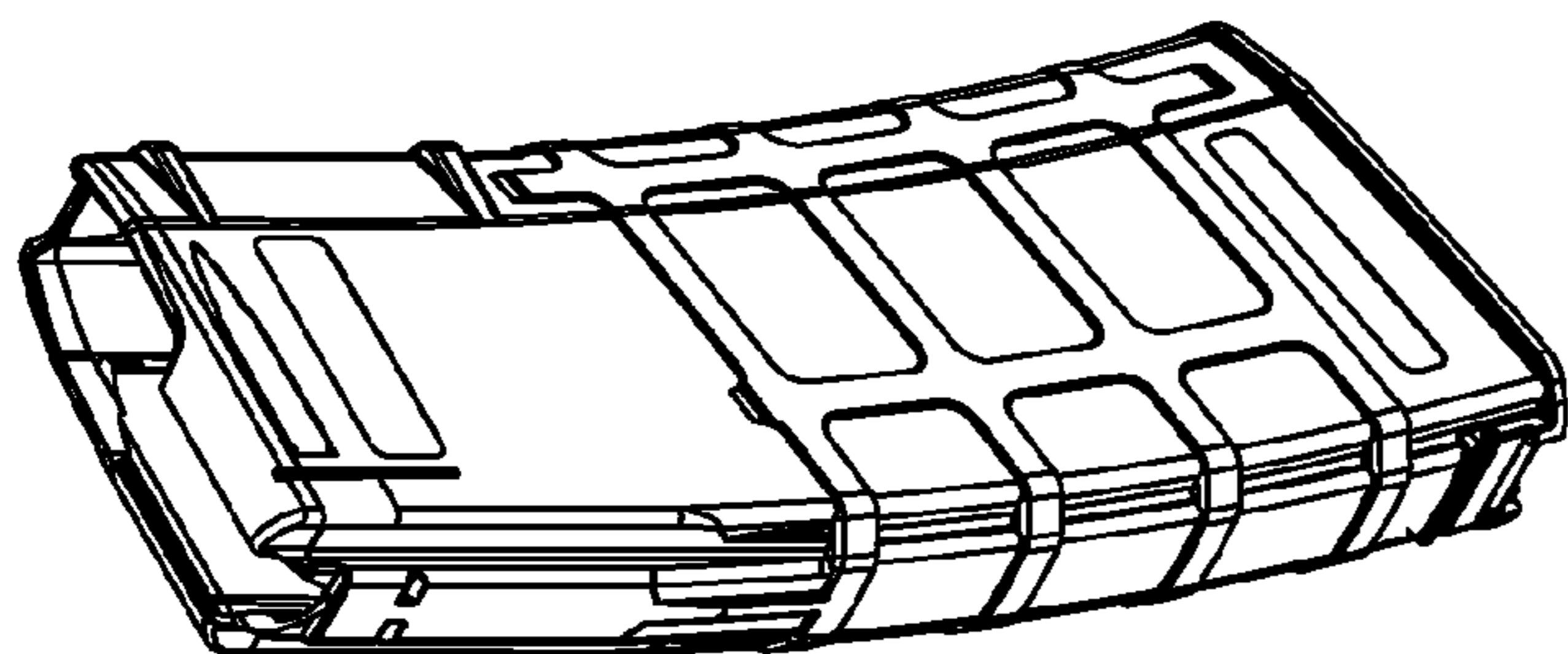


FIG. 13

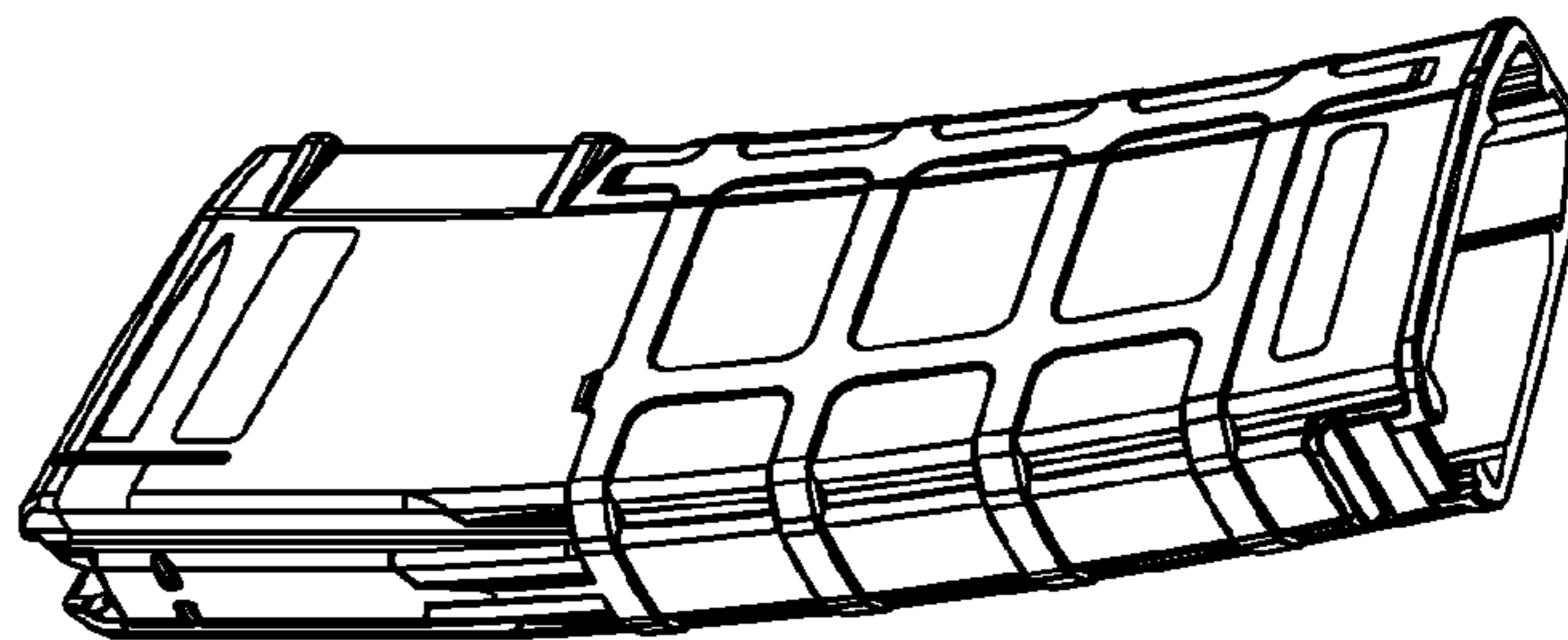


FIG. 14

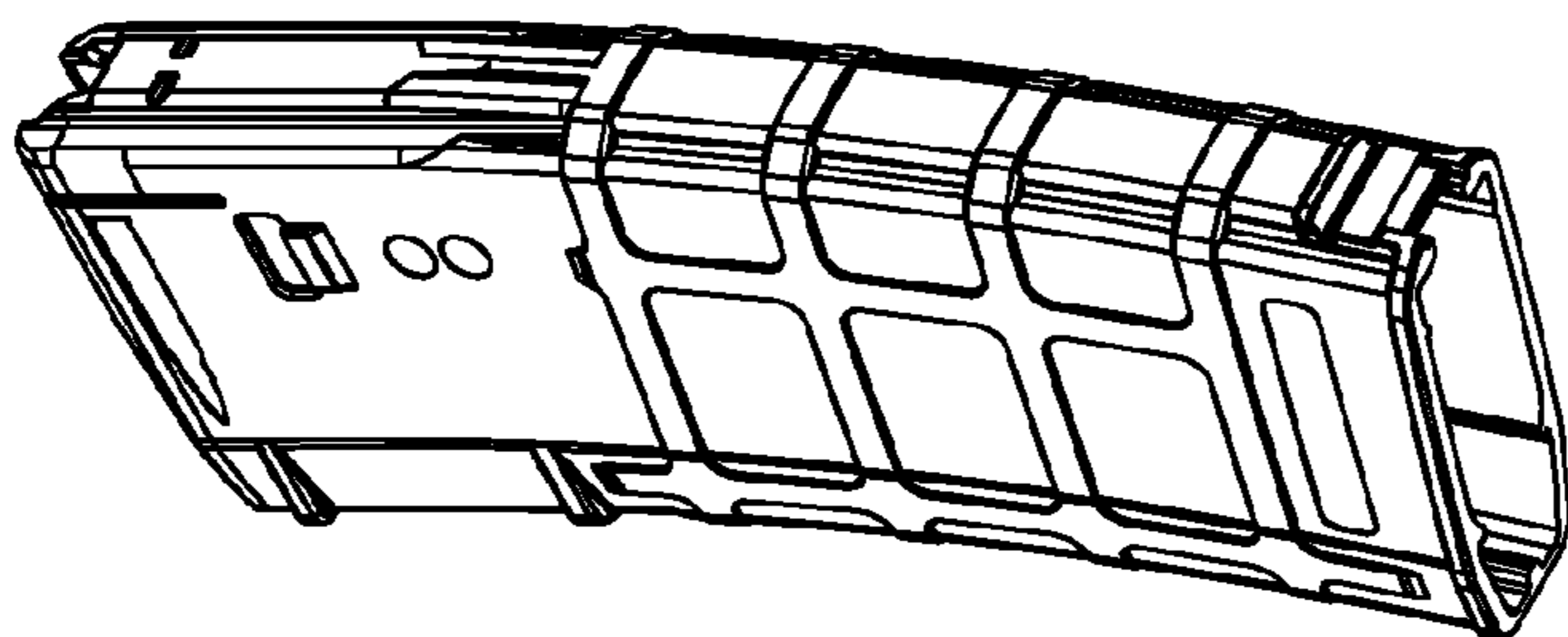


FIG. 12