



US00D614714S

(12) **United States Design Patent**
Walworth

(10) **Patent No.:** **US D614,714 S**
(45) **Date of Patent:** **** Apr. 27, 2010**

(54) **SPORTS BOARD WITH INTEGRATED MOTOR COMPARTMENT**

(76) Inventor: **Christopher J. Walworth**, 1165 Atlanta Way, Costa Mesa, CA (US) 92626

(**) Term: **14 Years**

(21) Appl. No.: **29/314,939**

(22) Filed: **May 13, 2009**

(51) **LOC (9) Cl.** **21-02**

(52) **U.S. Cl.** **D21/760**

(58) **Field of Classification Search** D21/769-770,
D21/801, 803, 809; D6/392, 596, 601, 604;
472/128-129; D12/5, 6, 316; 114/253, 345-346;
441/35, 66, 40-42, 129-132

See application file for complete search history.

(56) **References Cited**

U.S. PATENT DOCUMENTS

- D220,979 S * 6/1971 Belik D12/11
- D285,474 S * 9/1986 Tosch D21/809
- D377,072 S * 12/1996 Ilejay D21/769
- D389,546 S * 1/1998 Stewart D21/769
- D410,515 S * 6/1999 Alexander D21/769
- D463,003 S * 9/2002 Alexander D21/769
- D476,266 S * 6/2003 Fitzgerald D12/11

D503,763 S * 4/2005 Morgan D21/769

* cited by examiner

Primary Examiner—Janice E Seeger
Assistant Examiner—Zenia I Bennett

(57) **CLAIM**

I claim the ornamental design for a sports board with integrated motor compartment, as shown and described.

DESCRIPTION

FIG. 1 is an assembled drawing of the sports board with integrated motor compartment showing my new design;

FIG. 2 is a back view thereof;

FIG. 3 is a front view thereof;

FIG. 4 is a right side view thereof;

FIG. 5 is a left-facing view thereof;

FIG. 6 is a top view thereof.

FIG. 7 is a bottom view thereof; and,

FIG. 8 is a top view showing the integrated motor compartment door removed.

The broken lines in the drawing are for illustrative purposes only and form no part of the claimed design.

1 Claim, 4 Drawing Sheets

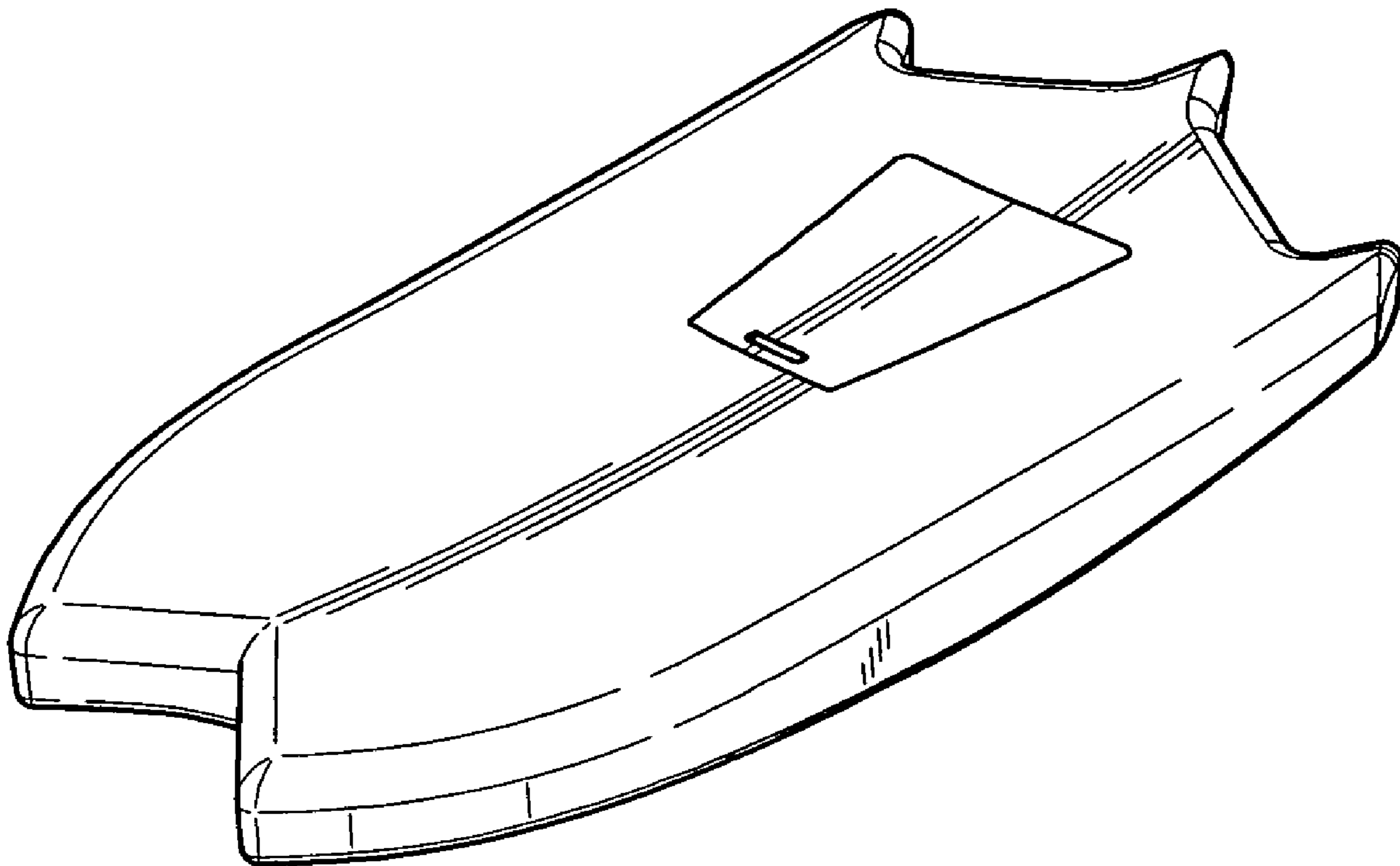


FIG. 1

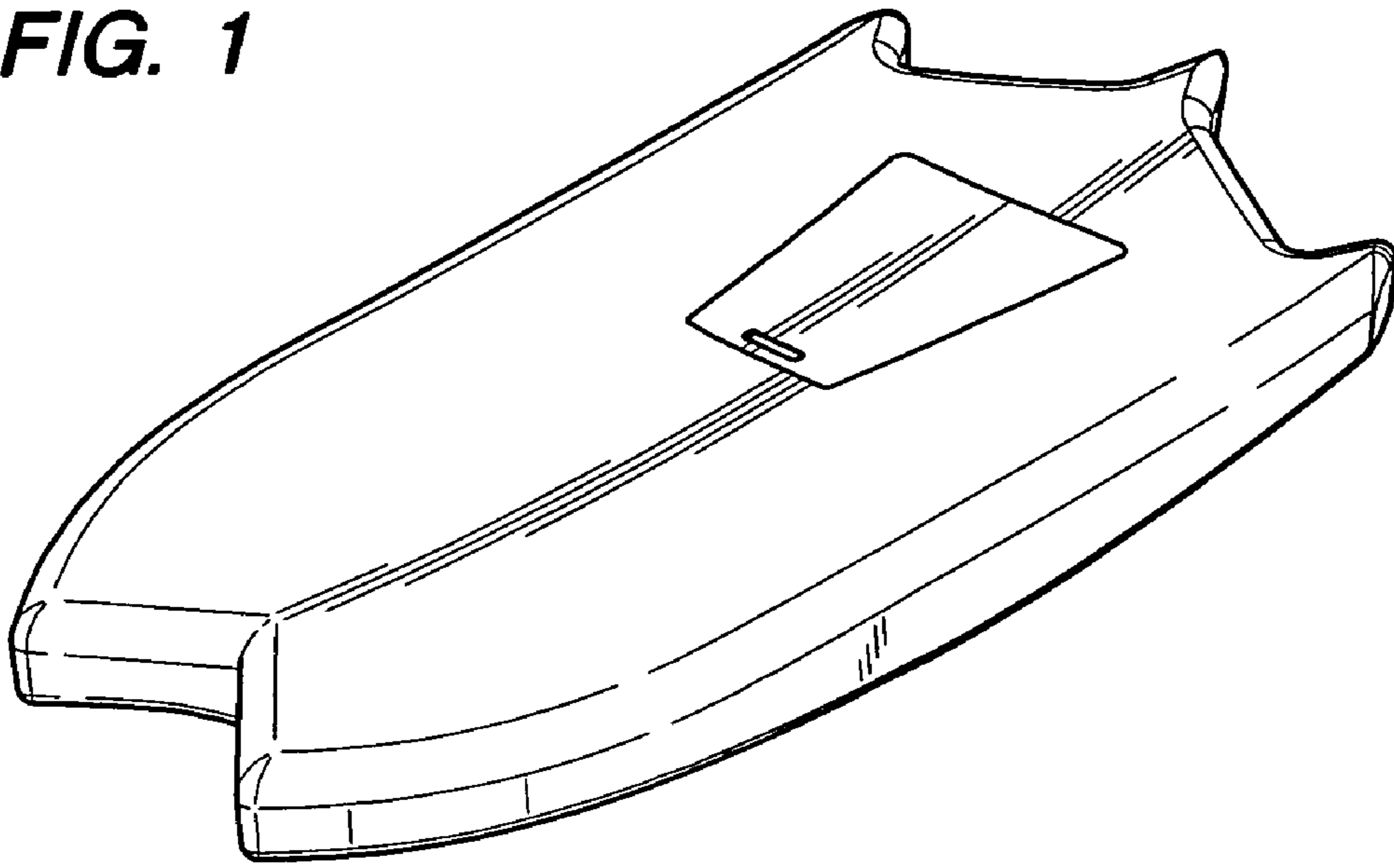


FIG. 2

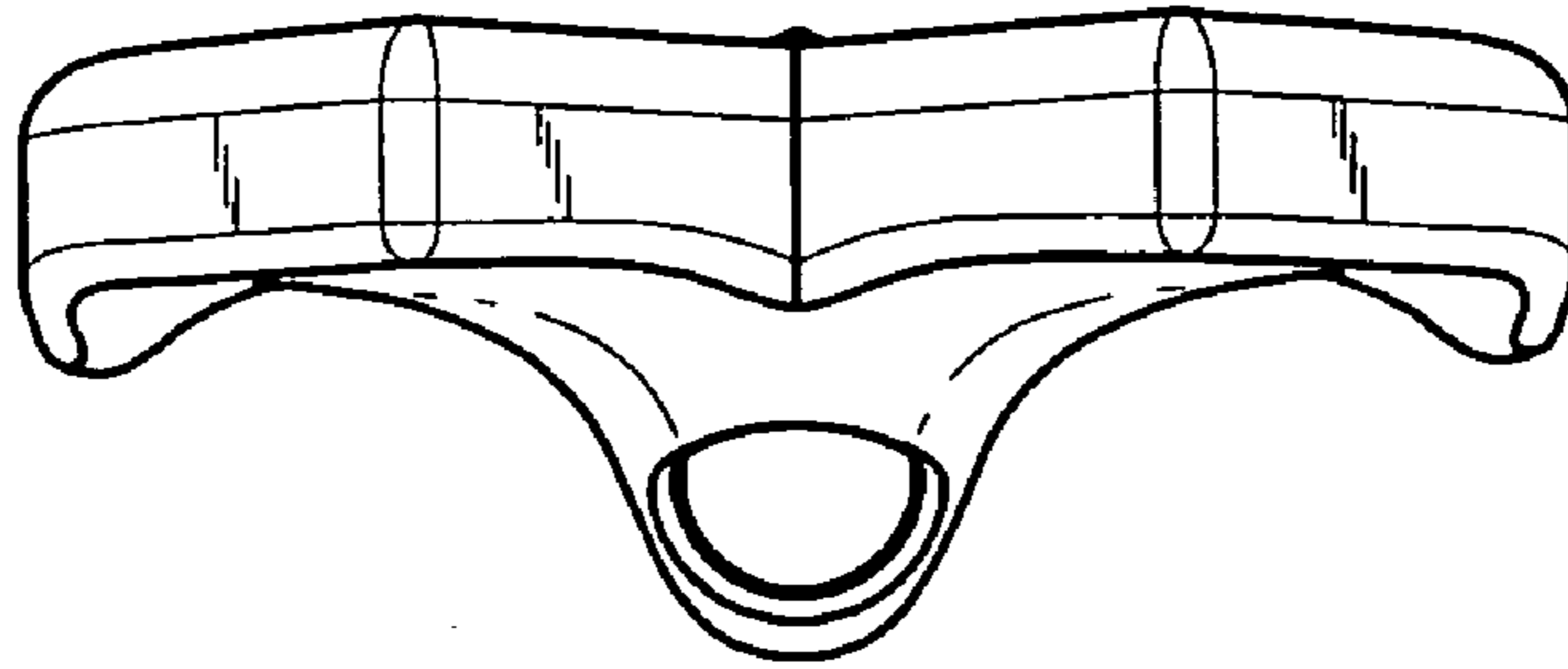


FIG. 3

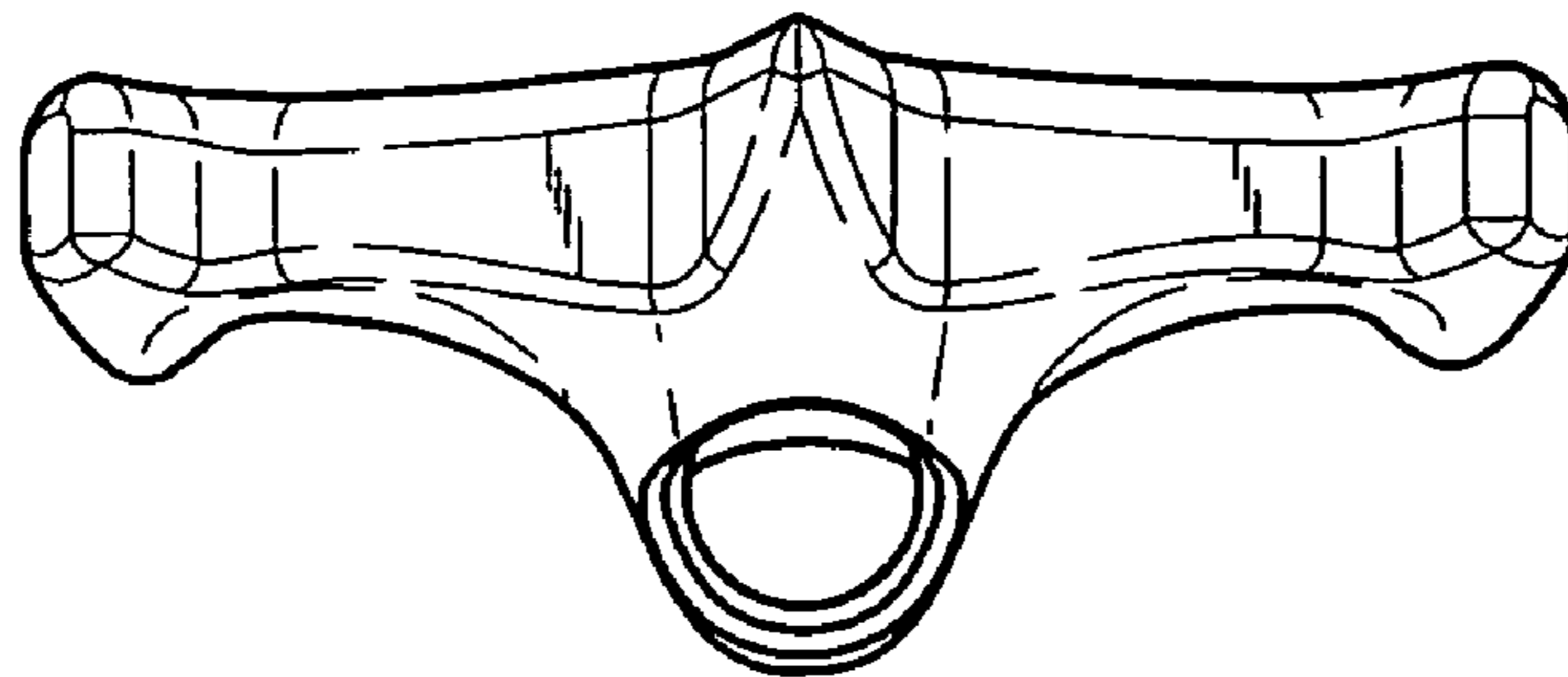


FIG. 4

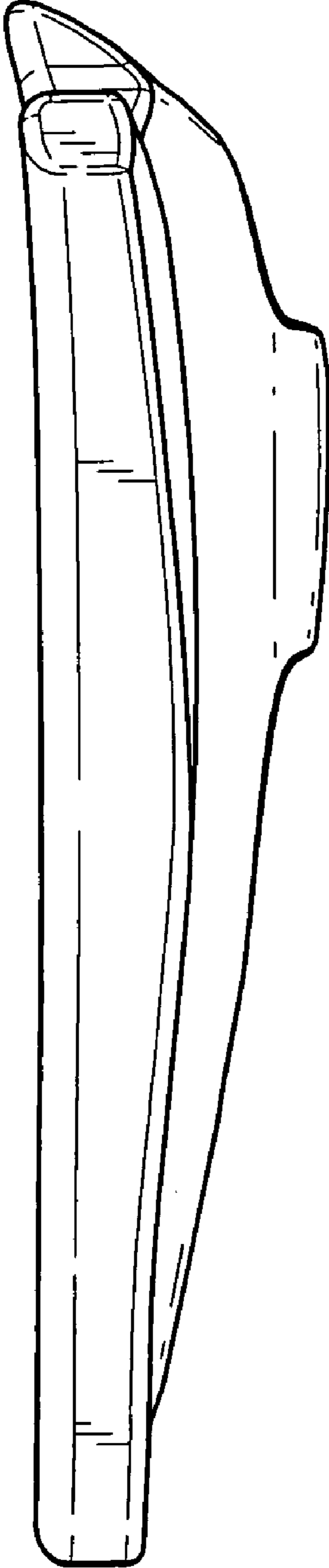


FIG. 5



FIG. 6

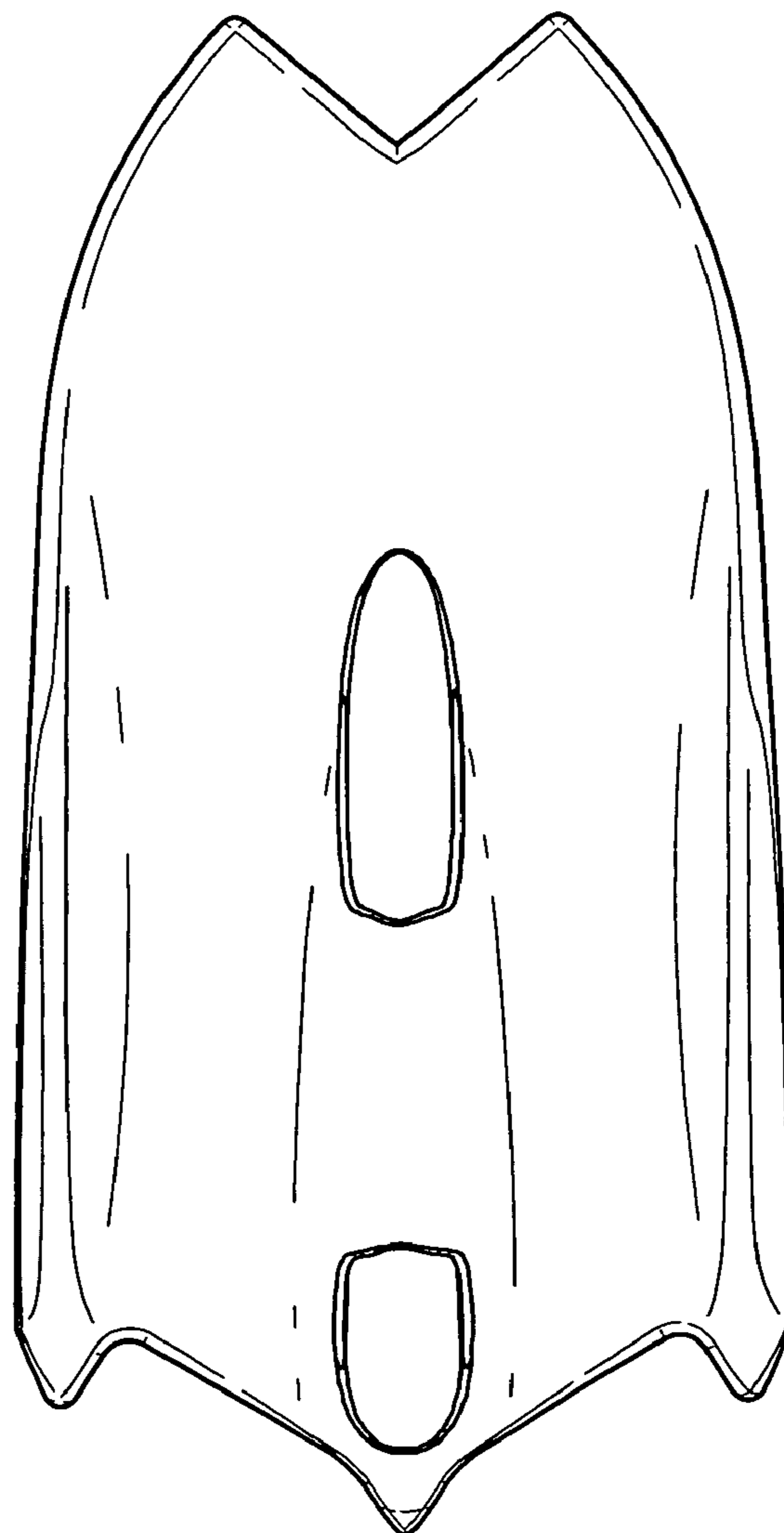
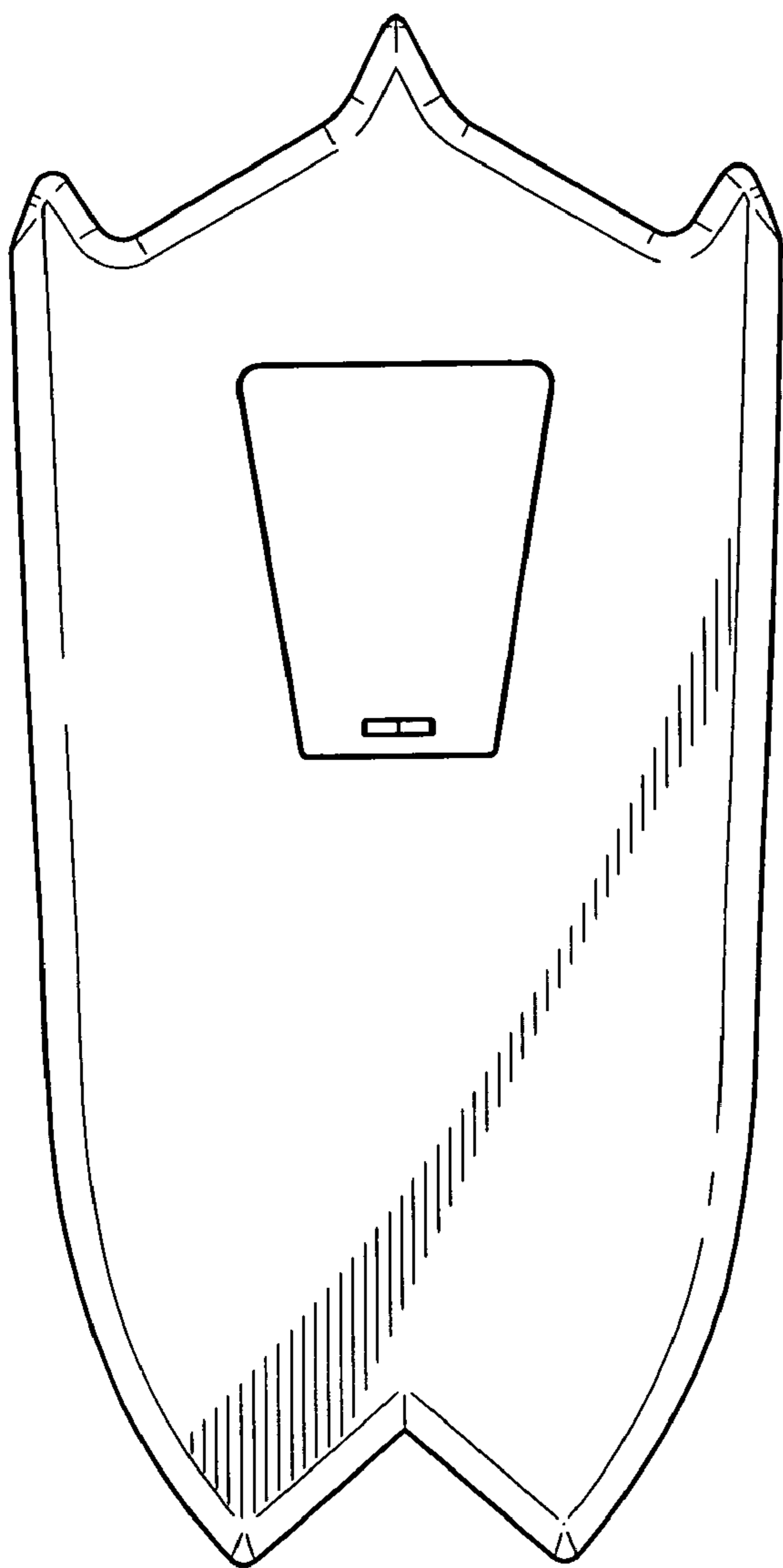


FIG. 7

FIG. 8

