



US00D614712S

(12) **United States Design Patent**
Toulon et al.

(10) **Patent No.:** **US D614,712 S**
(45) **Date of Patent:** **** Apr. 27, 2010**

(54) **SLEEVE FOR GOLF CLUB**

(75) Inventors: **Sean Toulon**, Vista, CA (US); **Nathan Sargent**, San Marcos, CA (US); **Robert Nunez**, San Diego, CA (US); **Michelle Darley**, San Diego, CA (US); **Craig Kevin Barez**, Temecula, CA (US)

(73) Assignee: **Taylor Made Golf Company, Inc.**, Carlsbad, CA (US)

(**) Term: **14 Years**

(21) Appl. No.: **29/315,179**

(22) Filed: **Jun. 1, 2009**

(51) **LOC (9) Cl.** **21-02**

(52) **U.S. Cl.** **D21/759**

(58) **Field of Classification Search** D21/733–752,
D21/759; 473/324–331, 340–346, 350
See application file for complete search history.

(56) **References Cited**

U.S. PATENT DOCUMENTS

D393,678	S	4/1998	Jones et al.	
D434,822	S	12/2000	Jacobson et al.	
6,273,828	B1	8/2001	Wood et al.	
D449,665	S *	10/2001	Etherton et al.	D21/759
6,352,482	B1	3/2002	Jacobson et al.	
6,547,673	B2 *	4/2003	Roark	473/239
6,620,053	B2 *	9/2003	Tseng	473/297
6,769,996	B2 *	8/2004	Tseng	473/306
6,890,269	B2 *	5/2005	Burrows	473/307
7,083,529	B2 *	8/2006	Cackett et al.	473/309
D537,896	S *	3/2007	Holt et al.	D21/759
D583,001	S *	12/2008	Evans et al.	D21/759
D583,002	S *	12/2008	Evans et al.	D21/759
D583,890	S *	12/2008	DeMille et al.	D21/759
D583,891	S *	12/2008	DeMille et al.	D21/759
D586,417	S *	2/2009	Hall et al.	D21/759
D587,770	S *	3/2009	Evans et al.	D21/759
D588,219	S *	3/2009	Evans et al.	D21/759

D588,661	S	3/2009	Lee	
D588,662	S *	3/2009	Lee	D21/759
D588,663	S *	3/2009	Lee	D21/759
D588,664	S	3/2009	Lee	
D589,577	S *	3/2009	Evans et al.	D21/759
D590,466	S *	4/2009	Hall et al.	D21/759
D590,467	S *	4/2009	Cackett et al.	D21/759
D590,468	S *	4/2009	Evans et al.	D21/759
D590,904	S *	4/2009	Evans et al.	D21/759
D590,905	S *	4/2009	Demille et al.	D21/759

(Continued)

Primary Examiner—Mitchell I Siegel

(74) *Attorney, Agent, or Firm*—Klarquist Sparkman, LLP

(57) **CLAIM**

We claim the ornamental design for a sleeve for a golf club, as shown and described.

DESCRIPTION

FIG. 1 is a front elevation view of a sleeve for a golf club, according to one embodiment, the rear, left side and right side elevation views being identical thereto.

FIG. 2 is a top plan view of the sleeve of FIG. 1.

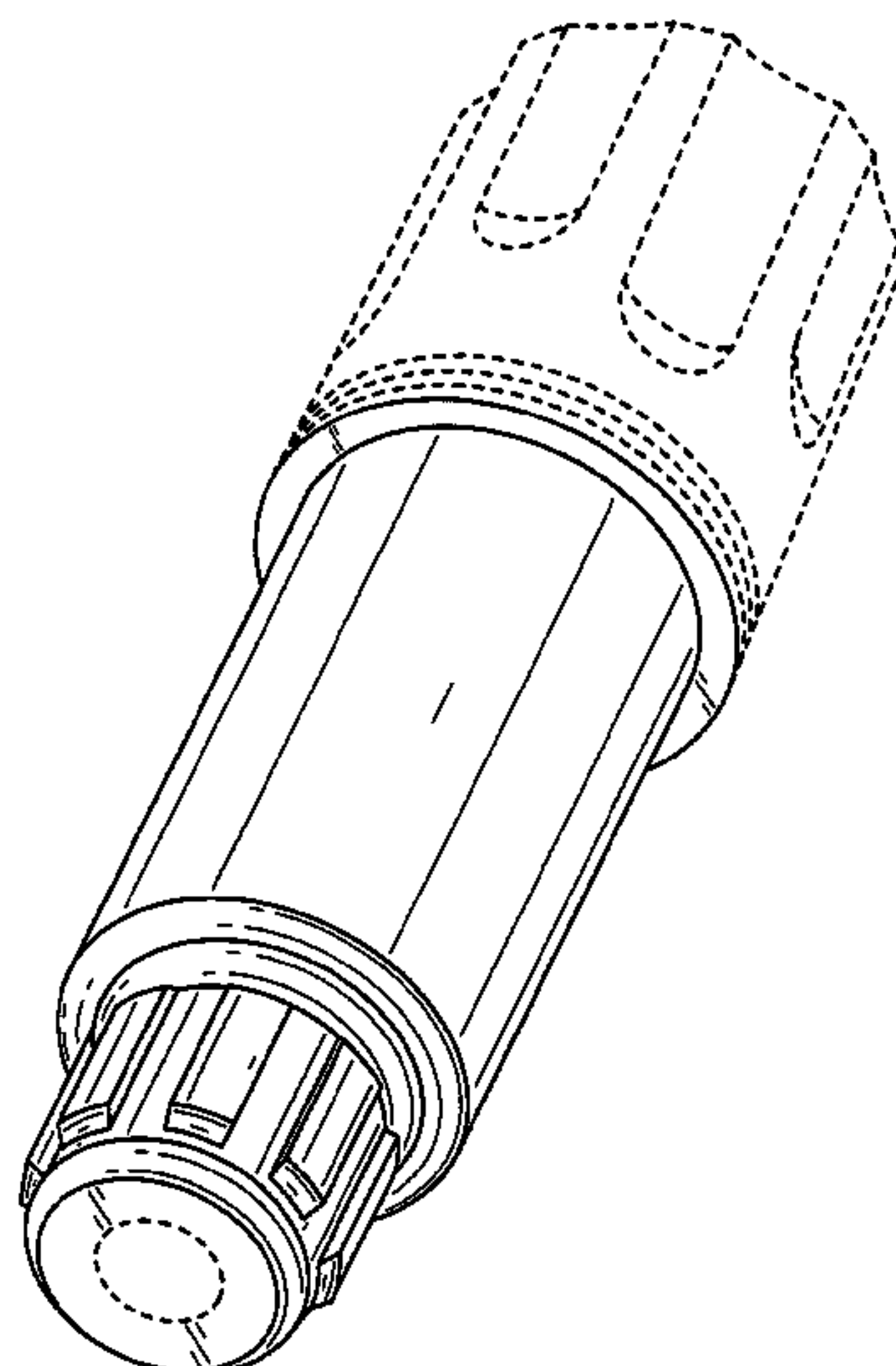
FIG. 3 is a bottom plan view of the sleeve of FIG. 1.

FIG. 4 is a perspective view of the sleeve of FIG. 1, as viewed from the bottom and one side; and,

FIG. 5 is a perspective view of the sleeve of FIG. 1, as viewed from the top and one side.

The dashed lines in the drawings are for illustrative purpose only and form no part of the claimed design.

1 Claim, 4 Drawing Sheets



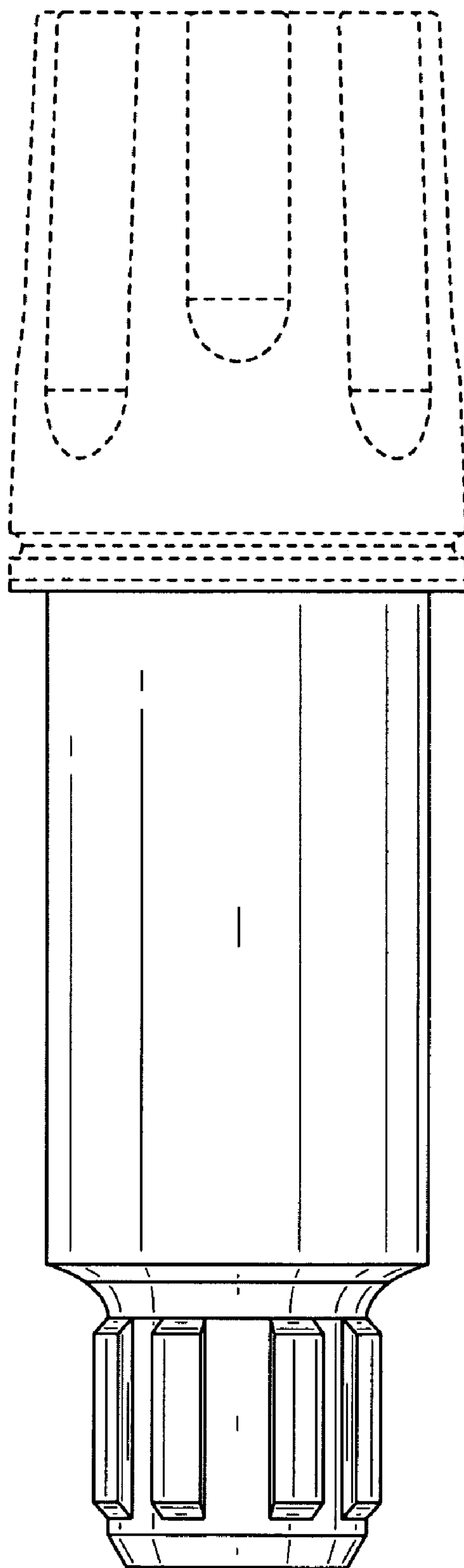


FIG. 1

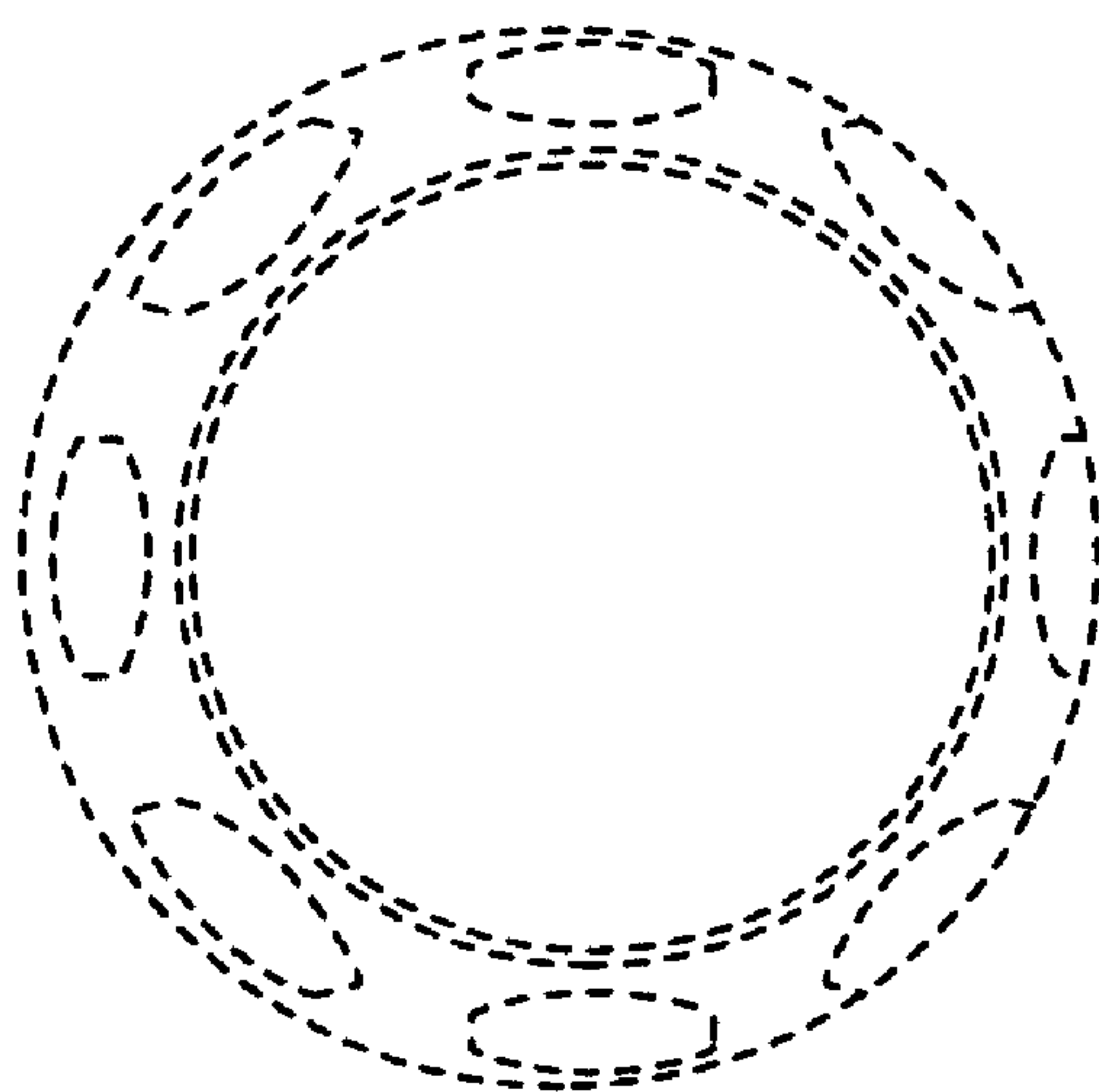


FIG. 2

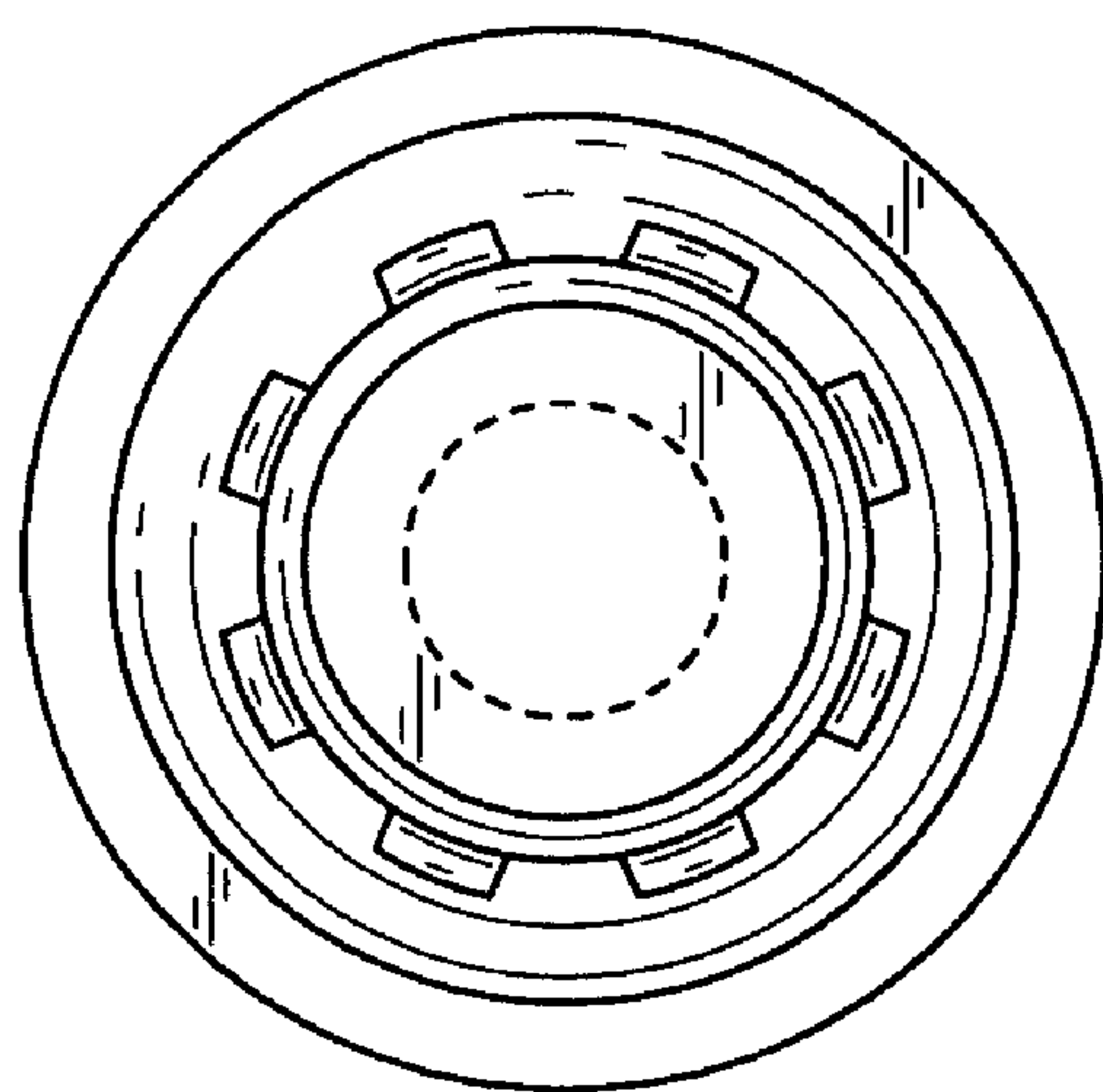


FIG. 3

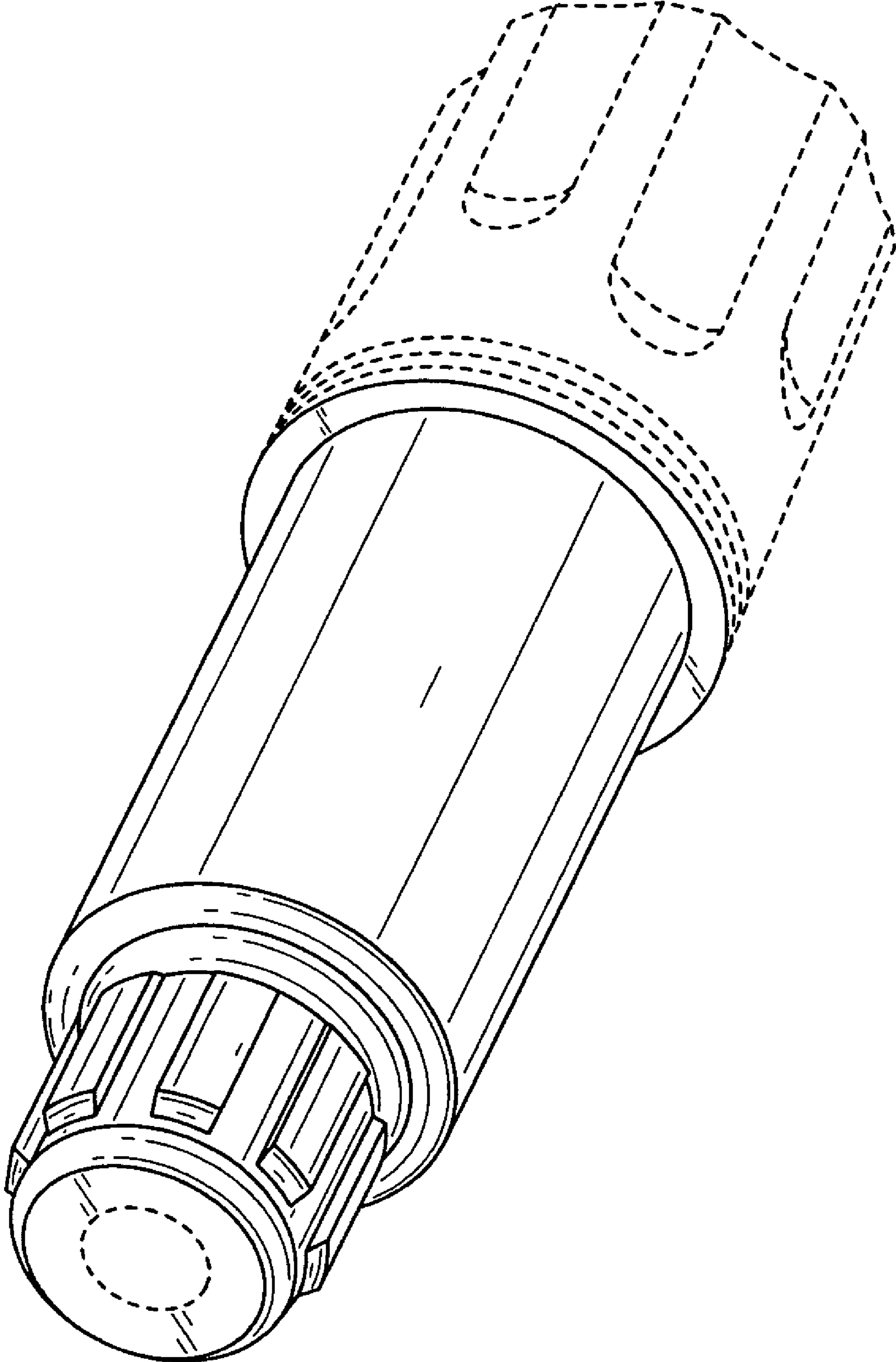


FIG. 4

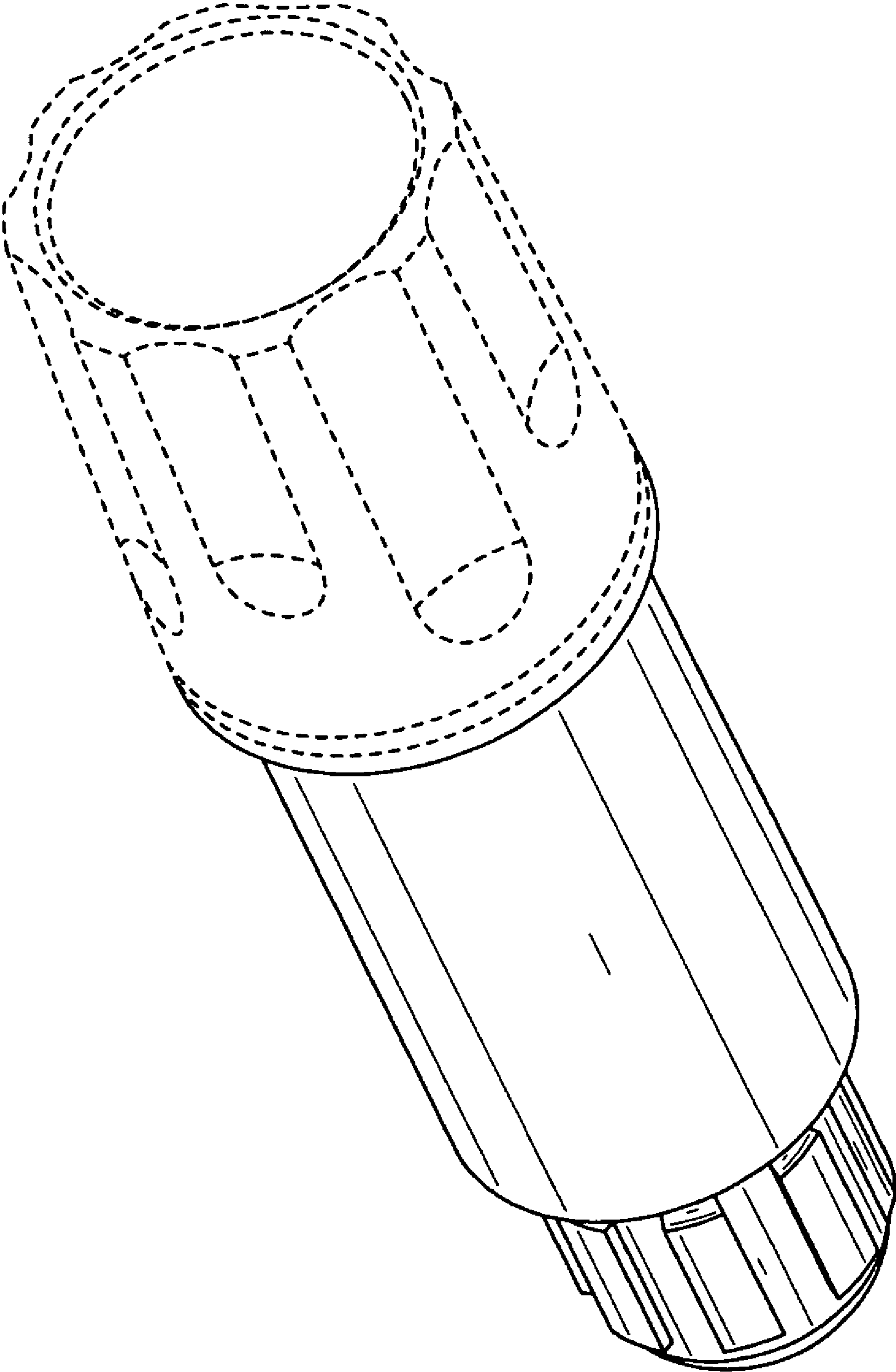


FIG. 5