



US00D614707S

(12) **United States Design Patent**  
**Ryaa**

(10) **Patent No.:** **US D614,707 S**

(45) **Date of Patent:** **\*\* Apr. 27, 2010**

(54) **ELEMENT FOR A TOY CONSTRUCTION SET**

(75) Inventor: **Jan Ryaa**, Billund (DK)

(73) Assignee: **LEGO A/S**, Billund (DK)

(\*\*) Term: **14 Years**

(21) Appl. No.: **29/315,659**

(22) Filed: **Jul. 14, 2009**

(30) **Foreign Application Priority Data**

Jan. 27, 2009 (EM) ..... 001076178

(51) **LOC (9) Cl.** ..... **21-01**

(52) **U.S. Cl.** ..... **D21/501**

(58) **Field of Classification Search** ..... D21/484,  
D21/485, 486, 489-495, 499, 500-505; 446/69,  
446/85, 102-128; 434/208, 259, 403; 273/153,  
273/156, 160

See application file for complete search history.

(56) **References Cited**

**U.S. PATENT DOCUMENTS**

D308,705 S \* 6/1990 Olsen ..... D21/501  
D342,555 S \* 12/1993 Berggreen ..... D21/501  
D350,787 S \* 9/1994 Hojlund et al. .... D21/501  
D351,005 S \* 9/1994 Hojlund et al. .... D21/501  
D360,658 S \* 7/1995 Voldmester et al. .... D21/501  
D360,908 S \* 8/1995 Ruskai ..... D21/501

D362,474 S \* 9/1995 Voldmester et al. .... D21/501  
D373,154 S \* 8/1996 Riis ..... D21/489  
D383,176 S \* 9/1997 Rasmussen et al. .... D21/501  
D385,589 S \* 10/1997 Rasmussen et al. .... D21/501  
D442,647 S \* 5/2001 Chang ..... D21/501  
D591,957 S \* 5/2009 Lee ..... D6/300

\* cited by examiner

*Primary Examiner*—Philip S Hyder

*Assistant Examiner*—Cynthia M Chin

(74) *Attorney, Agent, or Firm*—Day Pitney LLP

(57) **CLAIM**

The ornamental design for an element for a toy construction set, as shown and described.

**DESCRIPTION**

FIG. 1 is a top perspective view of the element for a toy construction set of the present design;

FIG. 2 is a bottom perspective view thereof;

FIG. 3 is a front view thereof;

FIG. 4 is a rear view thereof;

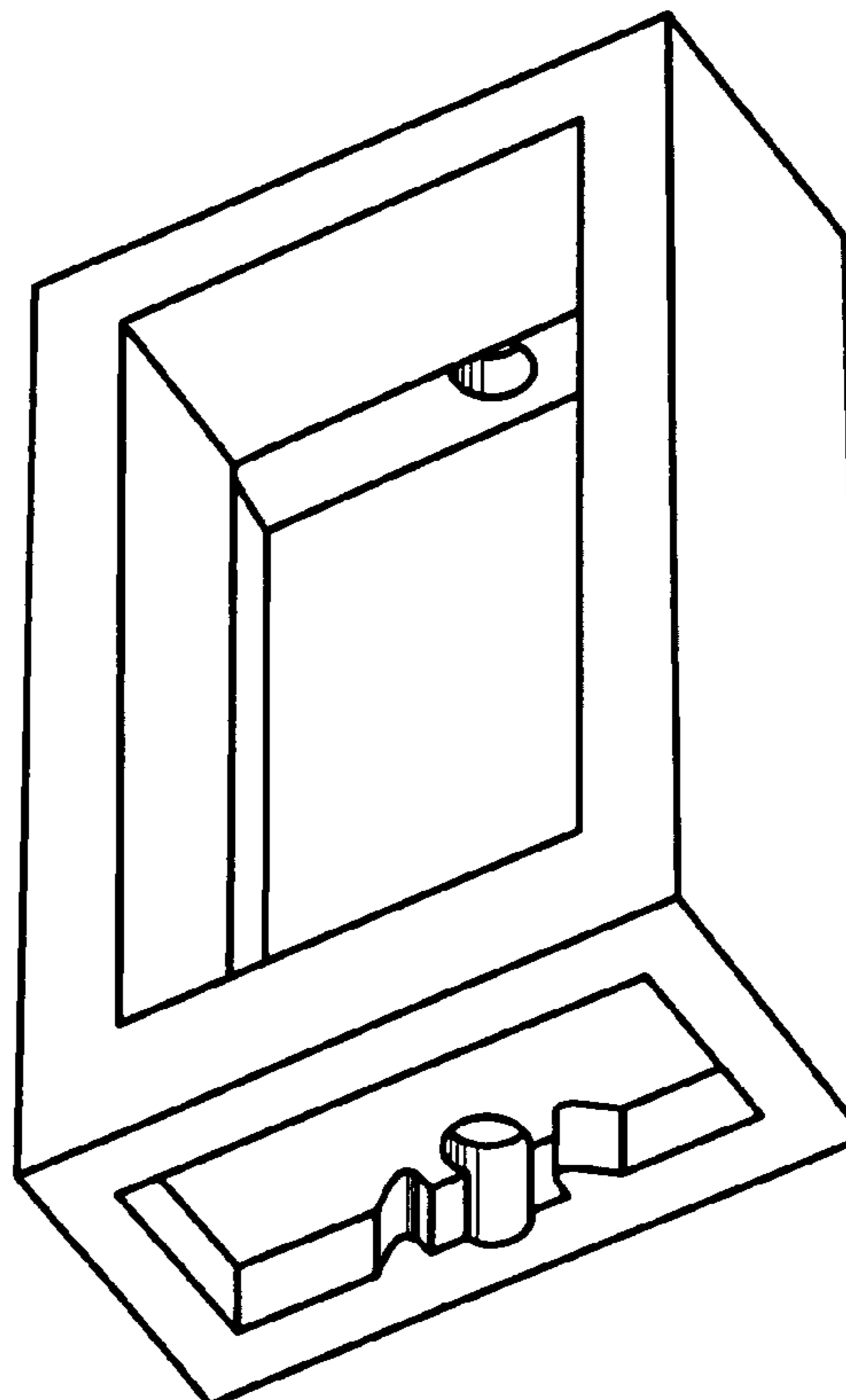
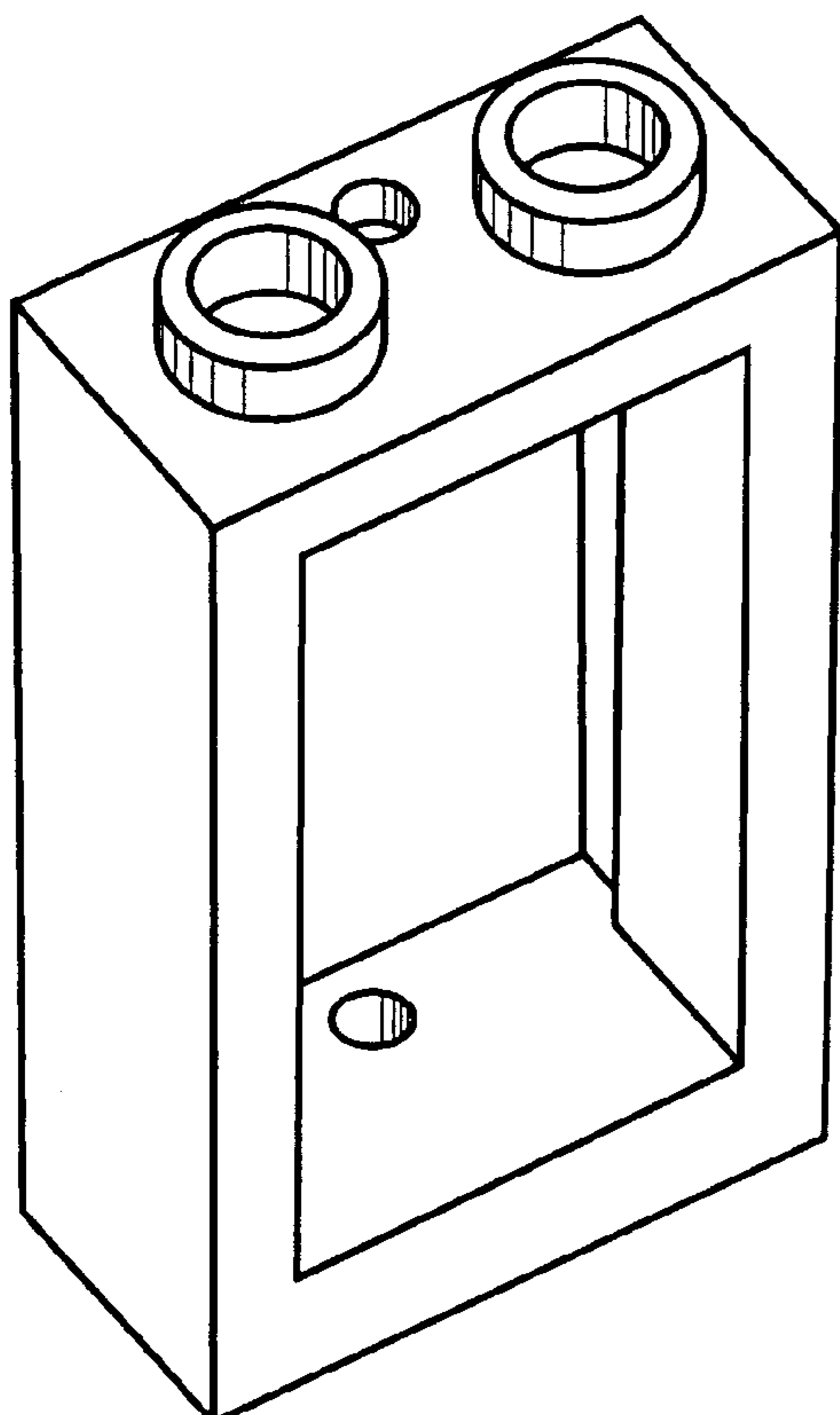
FIG. 5 is a top plan view thereof;

FIG. 6 is a bottom plan view thereof;

FIG. 7 is a right side view thereof; and,

FIG. 8 is a left side view thereof.

**1 Claim, 8 Drawing Sheets**



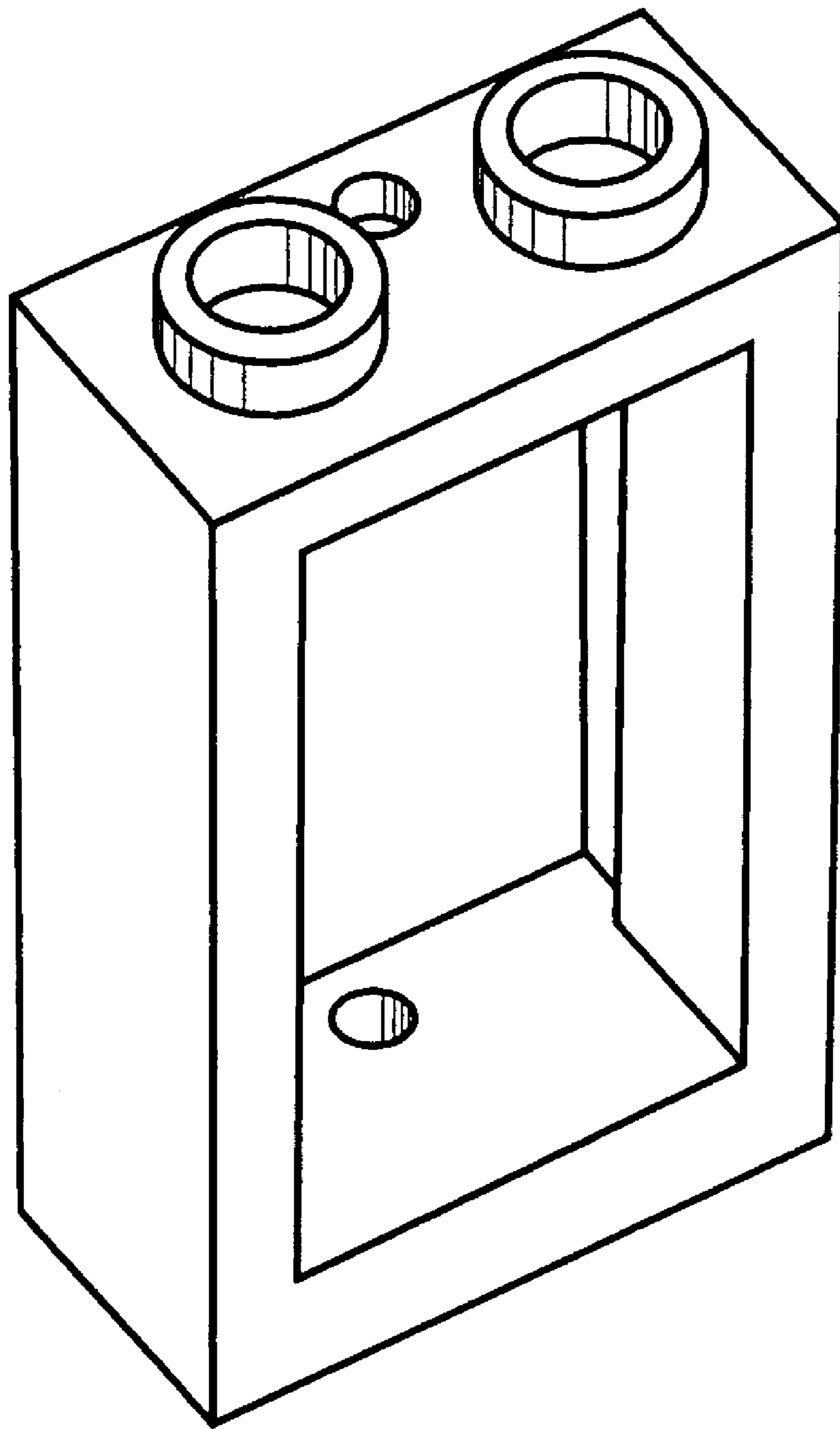


FIG. 1

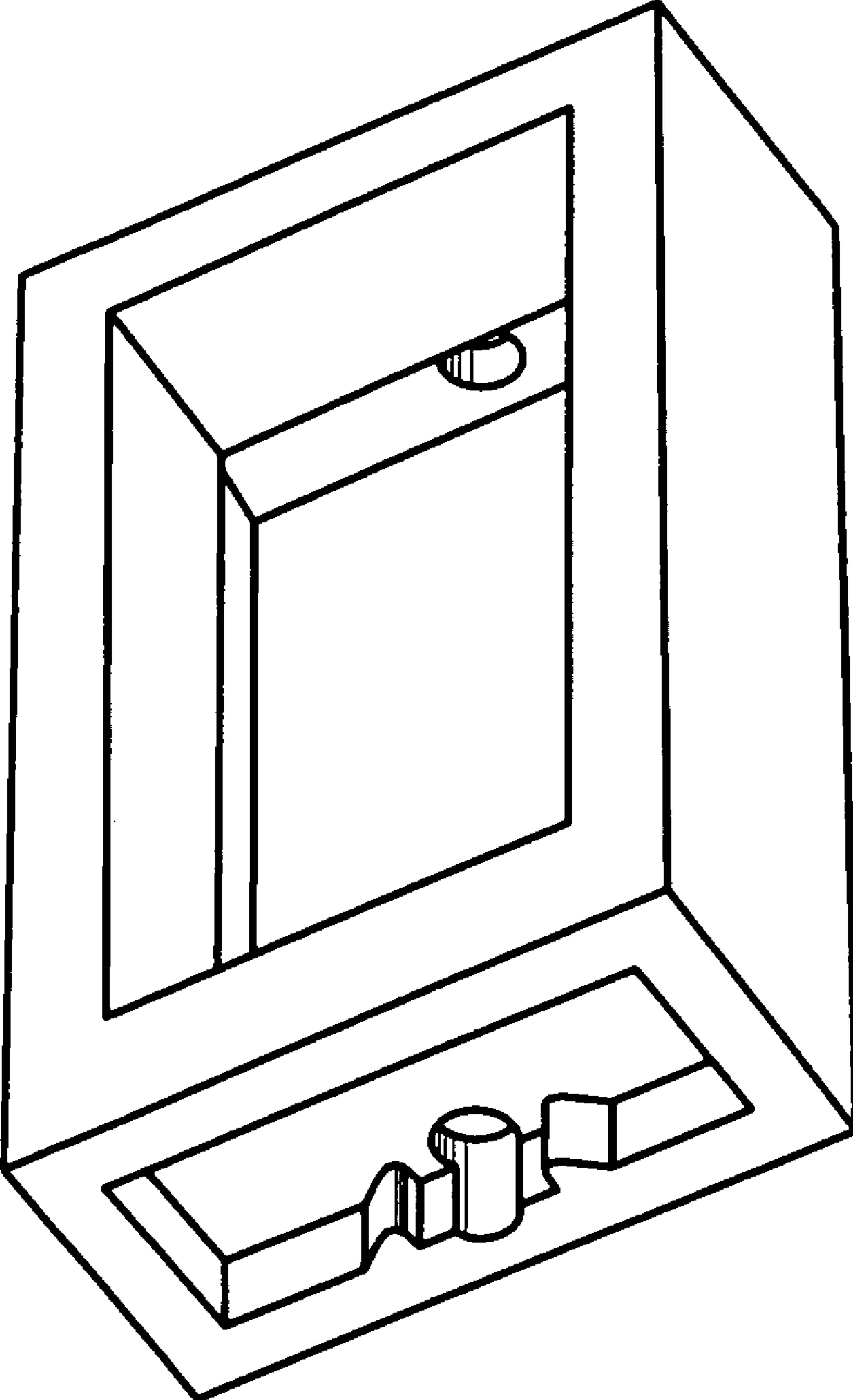


FIG. 2

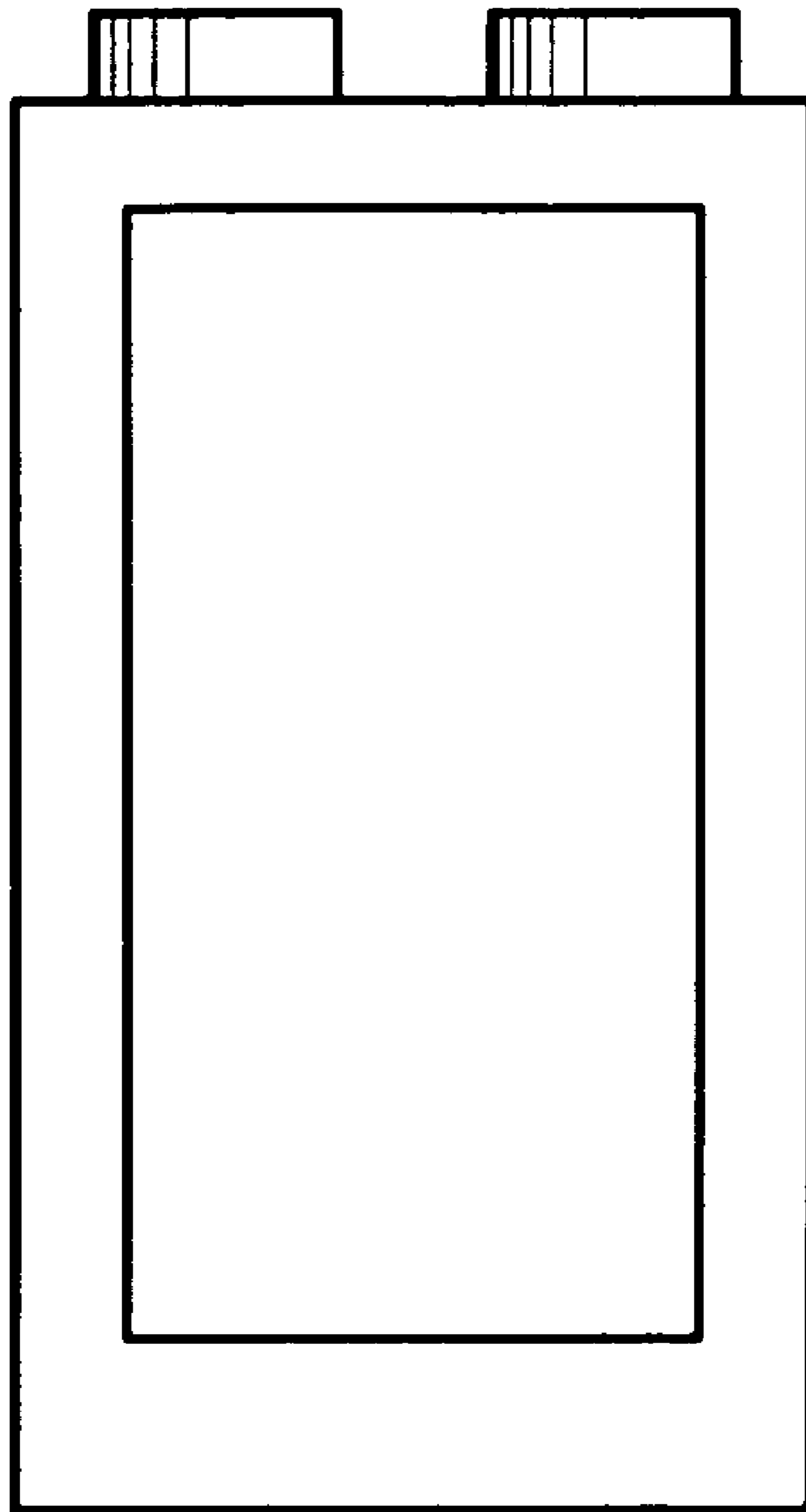


FIG. 3

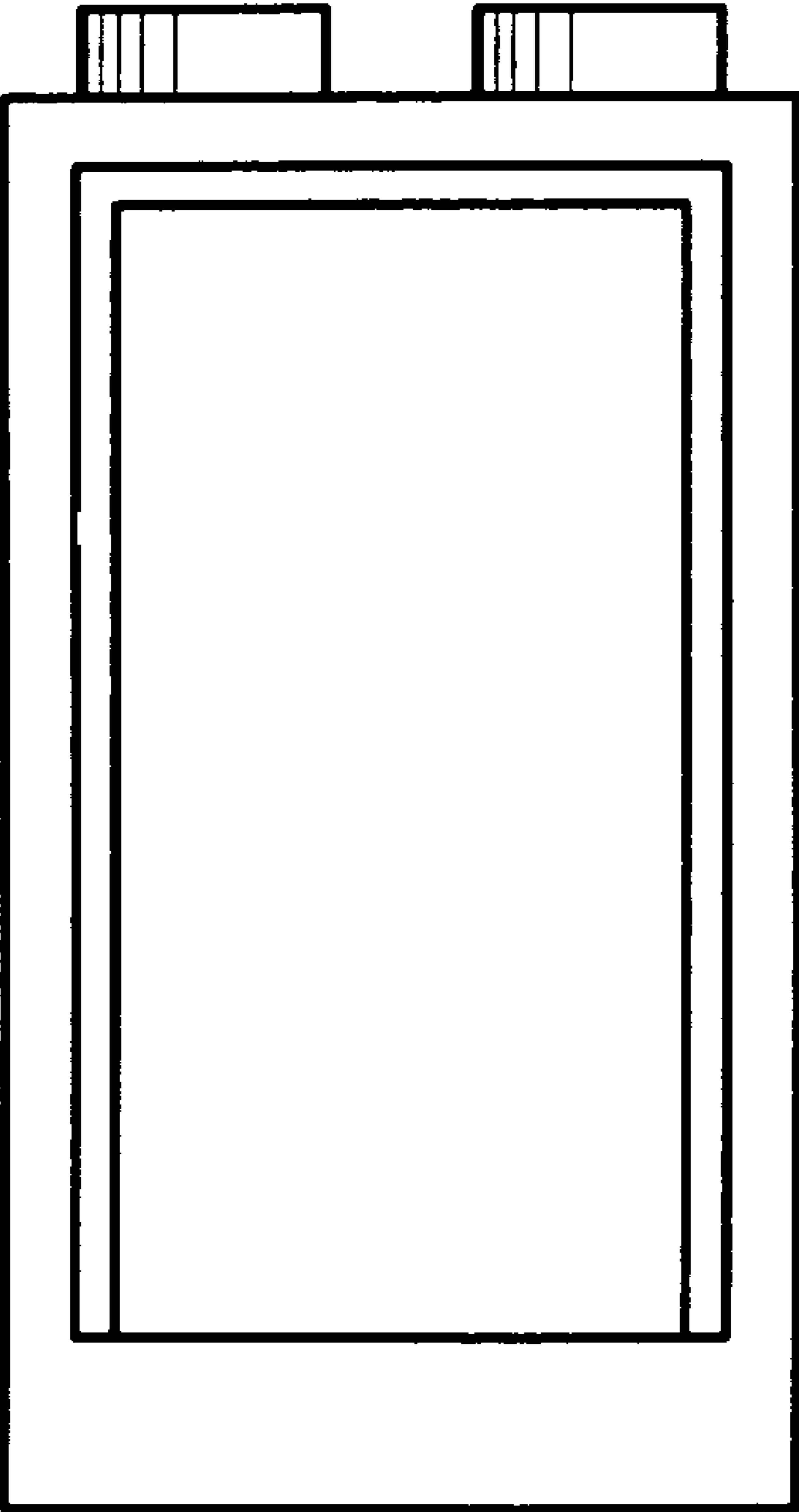


FIG. 4

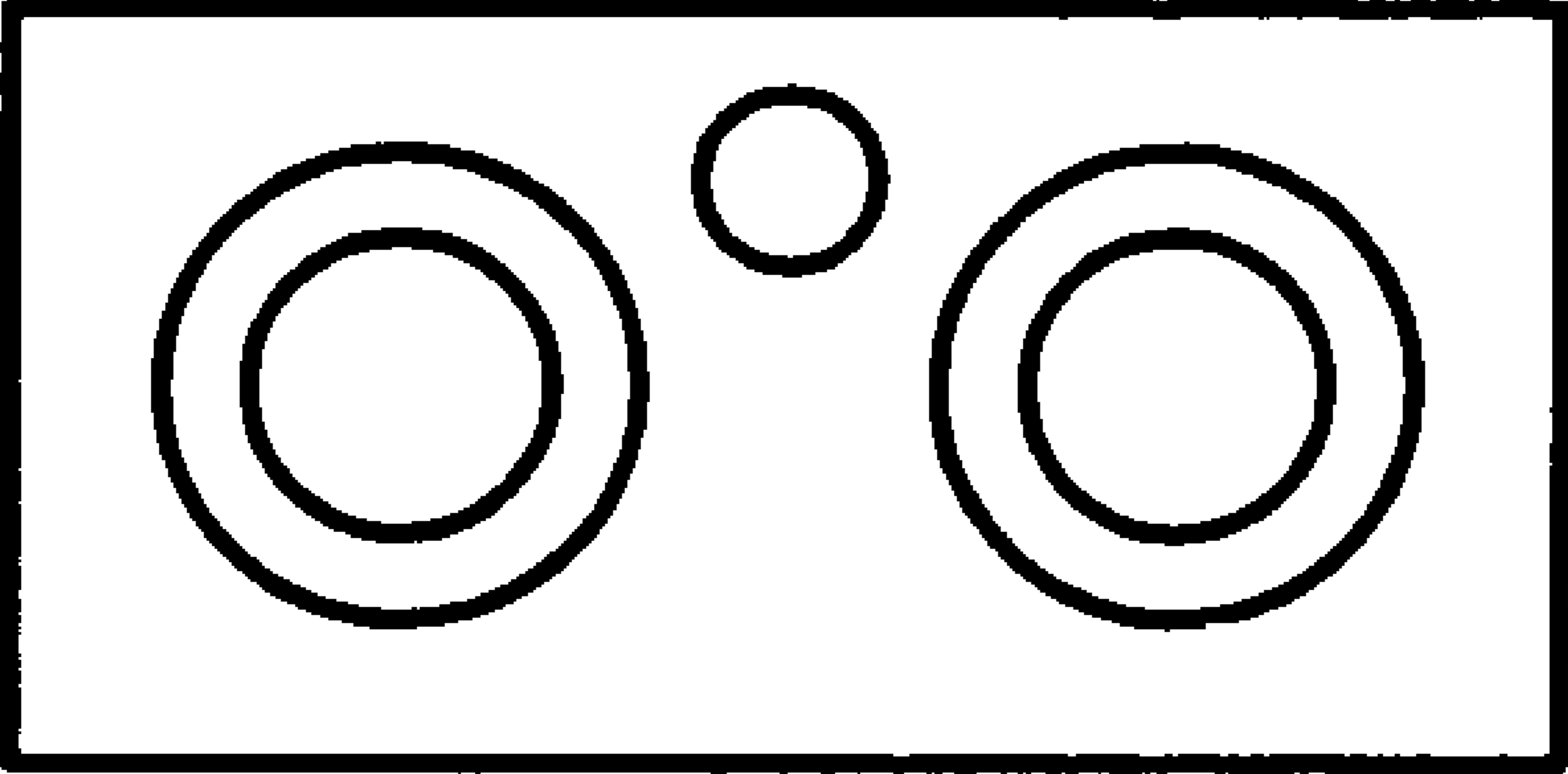


FIG. 5

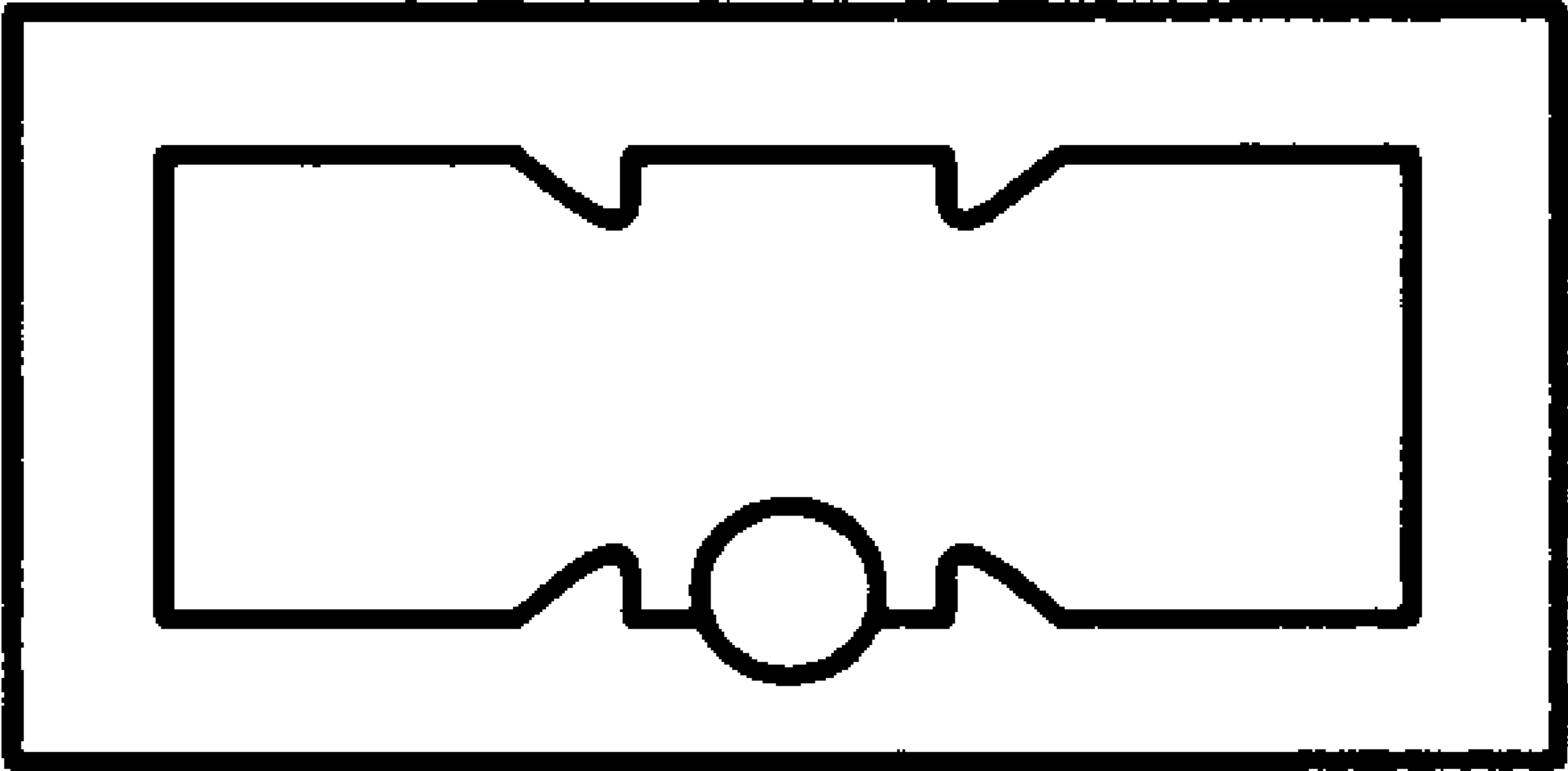


FIG. 6

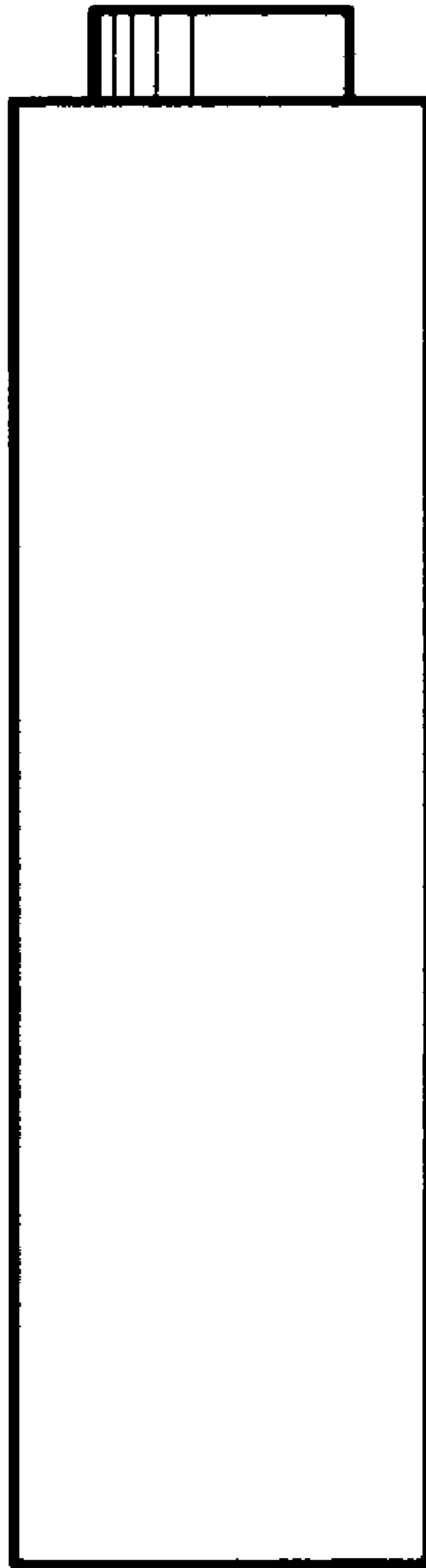


FIG. 7



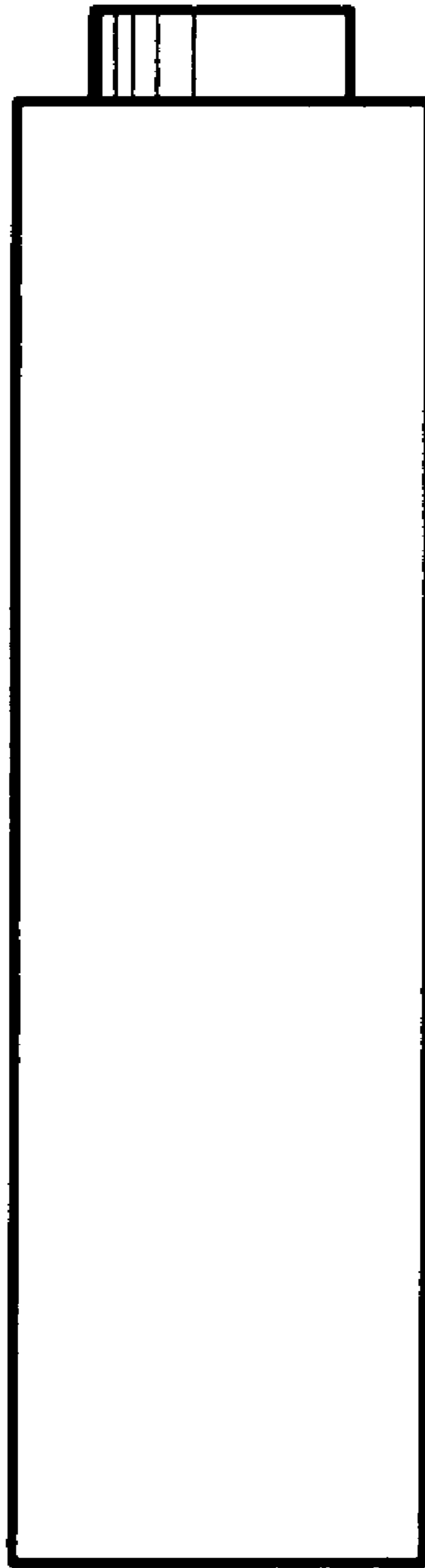


FIG. 8