



US00D614705S

(12) **United States Design Patent**  
**Biheller**

(10) **Patent No.:** **US D614,705 S**

(45) **Date of Patent:** **\*\* Apr. 27, 2010**

(54) **ARCADE GAMEPAD CONTROLLER**

(75) Inventor: **Jason Biheller**, Malibu, CA (US)

(73) Assignee: **Dreamgear, LLC**, Torrance, CA (US)

(\*\*) Term: **14 Years**

(21) Appl. No.: **29/340,567**

(22) Filed: **Jul. 21, 2009**

(51) **LOC (9) Cl.** ..... **21-01**

(52) **U.S. Cl.** ..... **D21/328; D21/333; D14/400**

(58) **Field of Classification Search** ..... D21/324,  
D21/328, 330-333; D14/399-401, 412,  
D14/356, 432, 454, 496; 273/148 B; 463/1,  
463/29-35, 46, 47; 345/156, 161, 168, 169;  
74/469, 471 R, 471 XY

See application file for complete search history.

(56) **References Cited**

**U.S. PATENT DOCUMENTS**

D320,624 S *	10/1991	Taylor	.....	D21/331
5,207,426 A *	5/1993	Inoue et al.	.....	463/36
D345,164 S *	3/1994	Grae	.....	D14/401
D360,903 S *	8/1995	Barr et al.	.....	D14/401
5,643,087 A *	7/1997	Marcus et al.	.....	463/38
D382,916 S *	8/1997	Oikawa	.....	D14/401

5,700,194 A *	12/1997	Hsien	.....	463/37
5,769,719 A *	6/1998	Hsu	.....	463/37
5,785,317 A *	7/1998	Sasaki	.....	273/148 B
6,042,478 A *	3/2000	Ng	.....	463/44
D542,855 S *	5/2007	Lim	.....	D21/333
D568,883 S *	5/2008	Ashida et al.	.....	D14/400
D570,349 S *	6/2008	Ashida et al.	.....	D14/400

\* cited by examiner

*Primary Examiner*—Prabhakar Deshmukh

(74) *Attorney, Agent, or Firm*—Christie, Parker & Hale, LLP

(57) **CLAIM**

The ornamental design for arcade gamepad controller, as shown and described.

**DESCRIPTION**

FIG. 1 is front top right perspective view of the arcade gamepad controller of the invention.

FIG. 2 is a top view thereof.

FIG. 3 is a left side view thereof.

FIG. 4 is a right side view thereof.

FIG. 5 is a bottom view thereof.

FIG. 6 is rear view thereof; and,

FIG. 7 is a front view thereof.

**1 Claim, 5 Drawing Sheets**

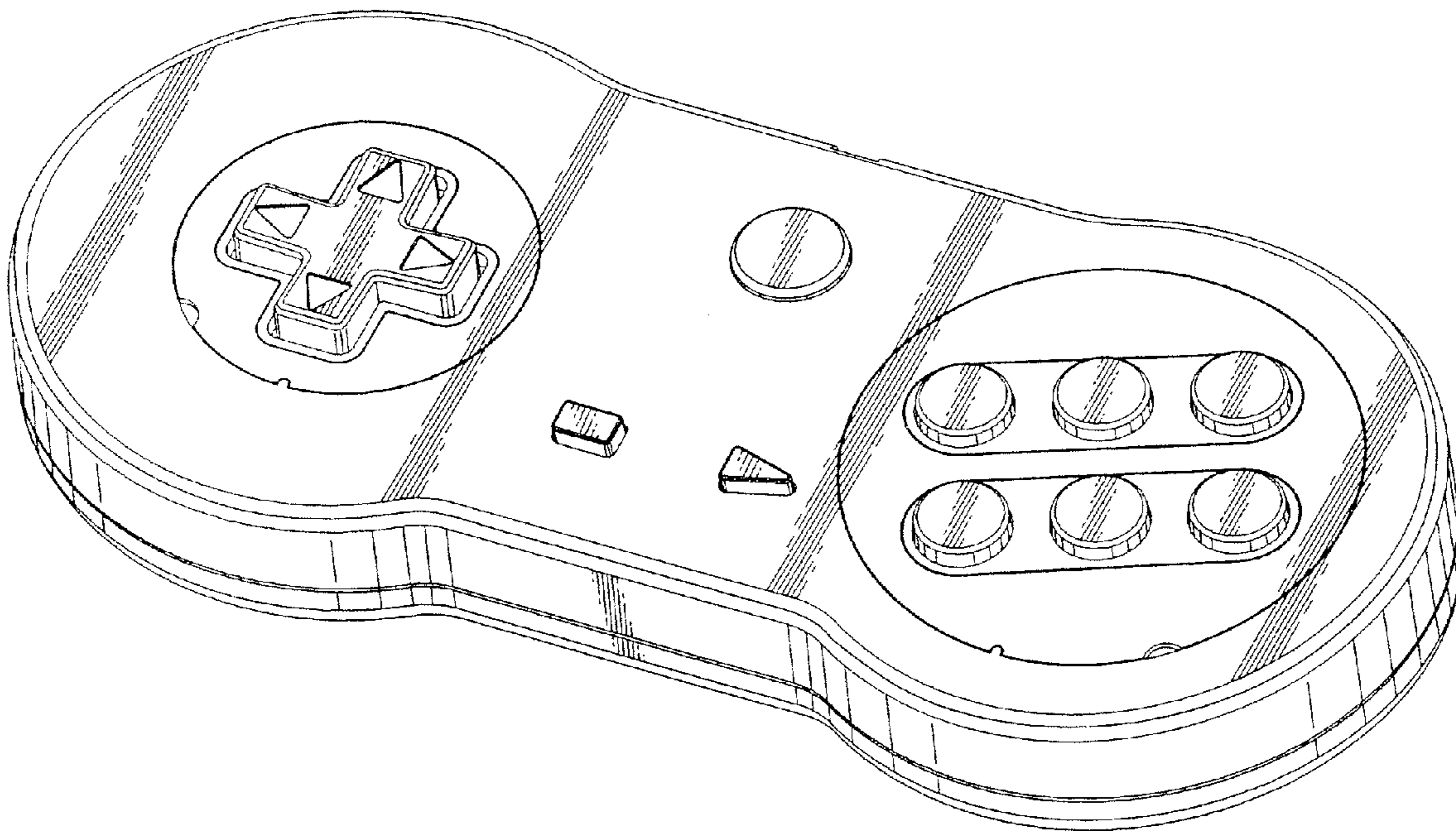


FIG. 1

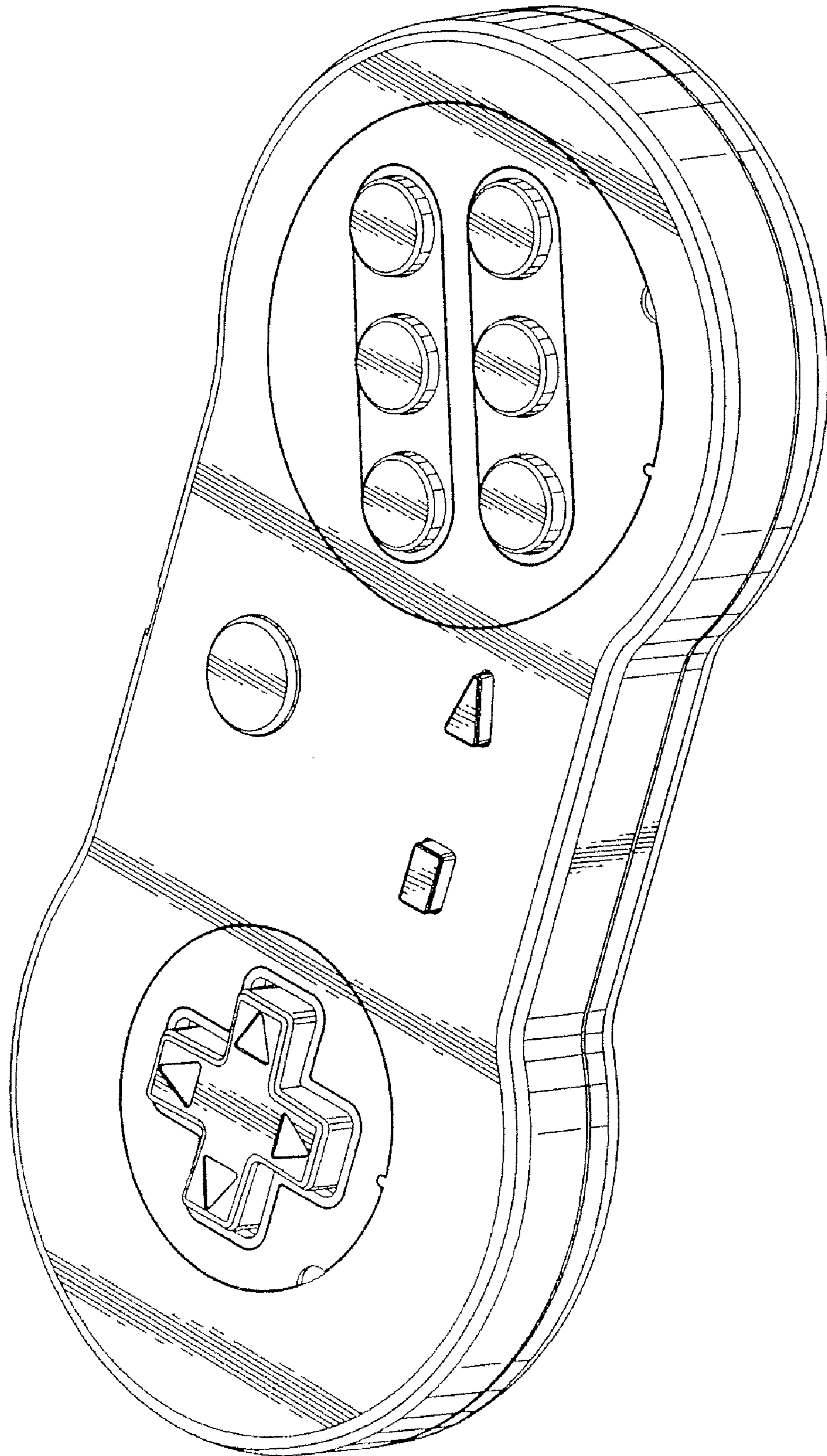




FIG. 2

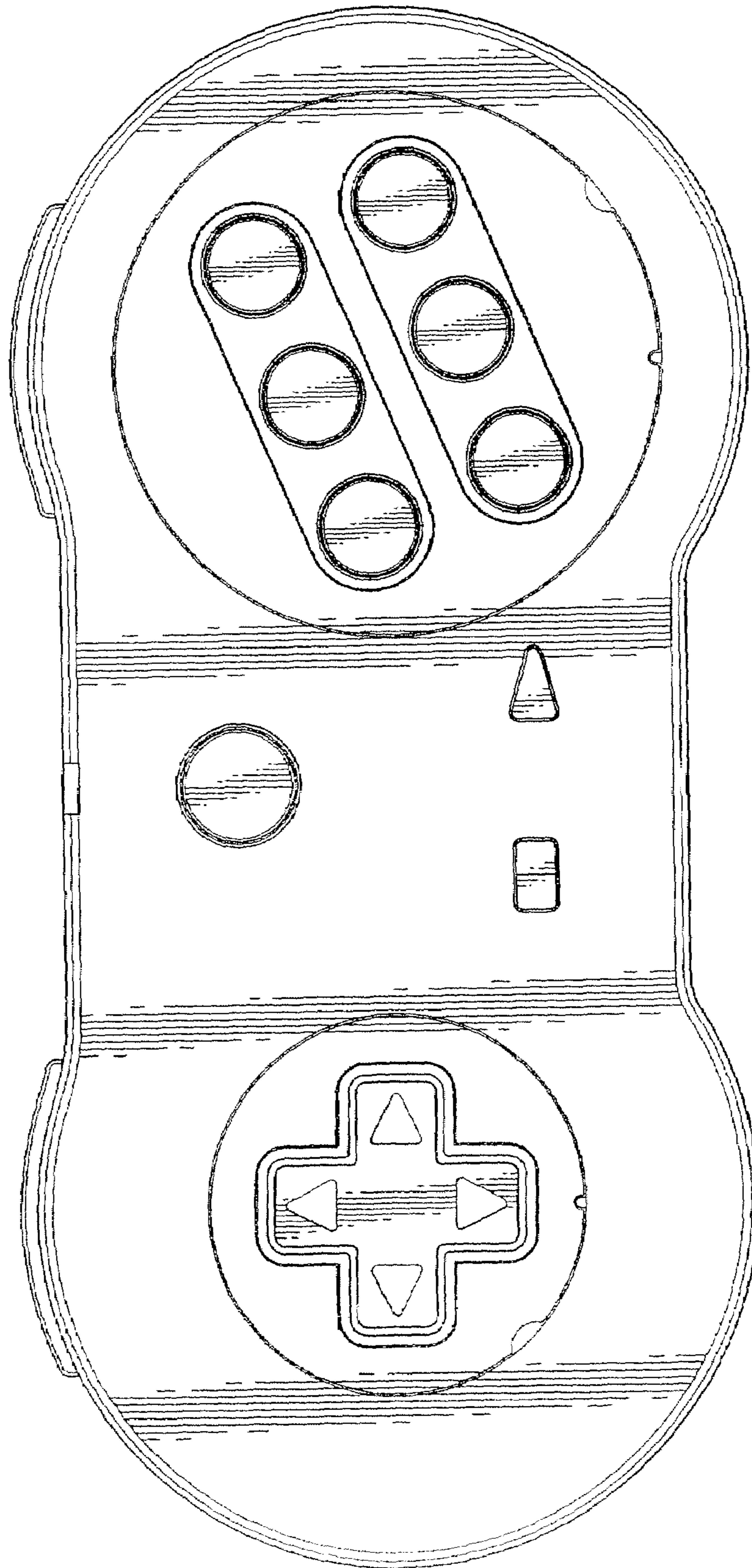


FIG. 4

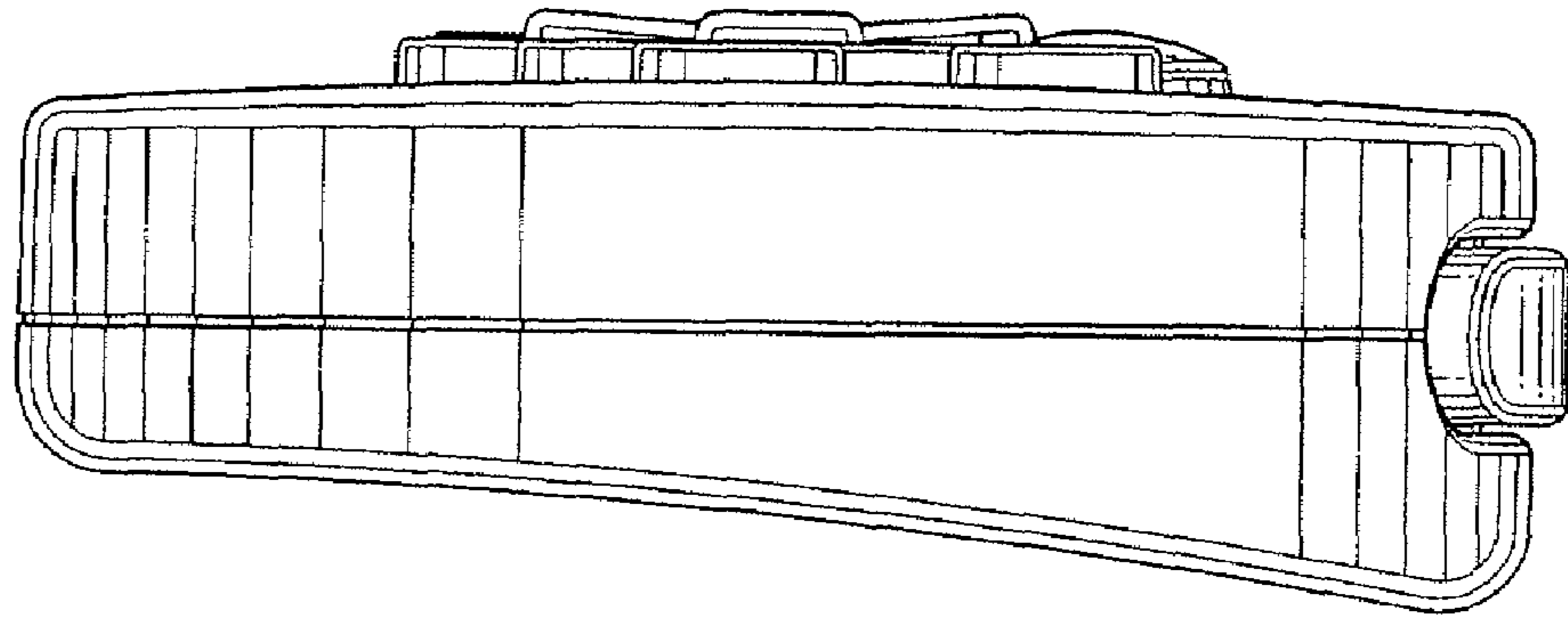
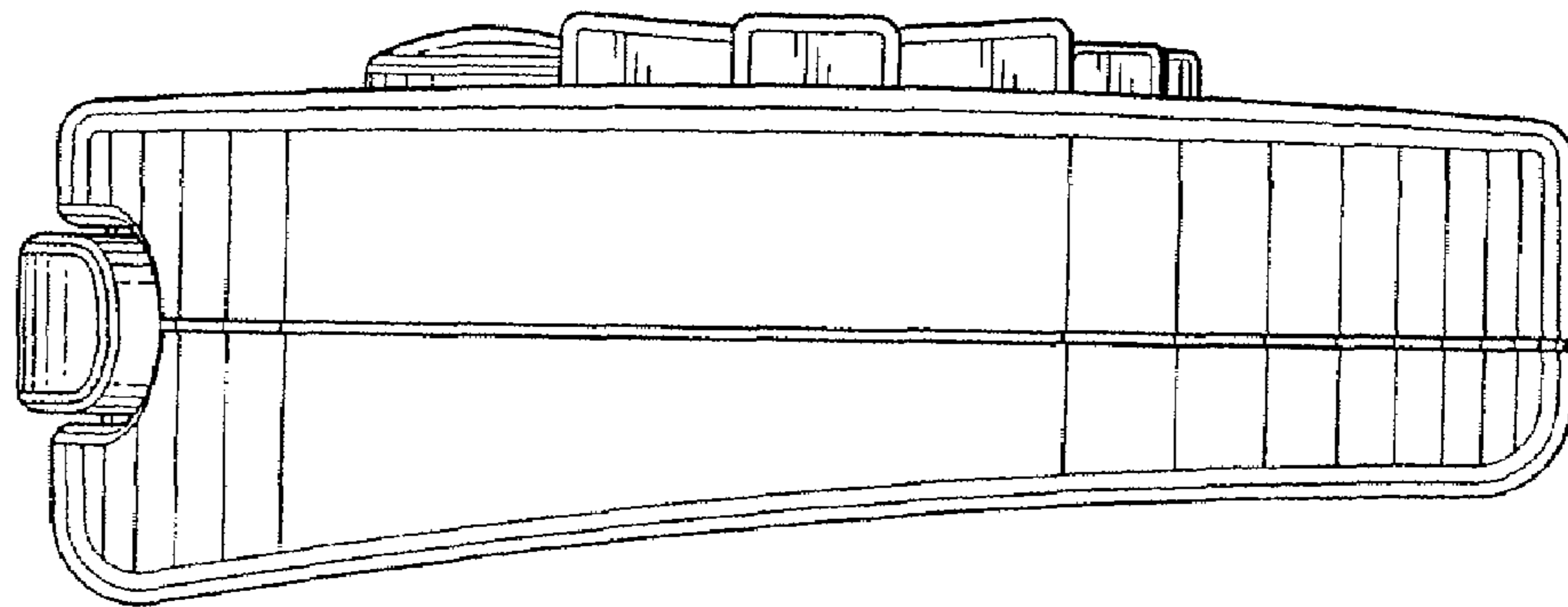


FIG. 3



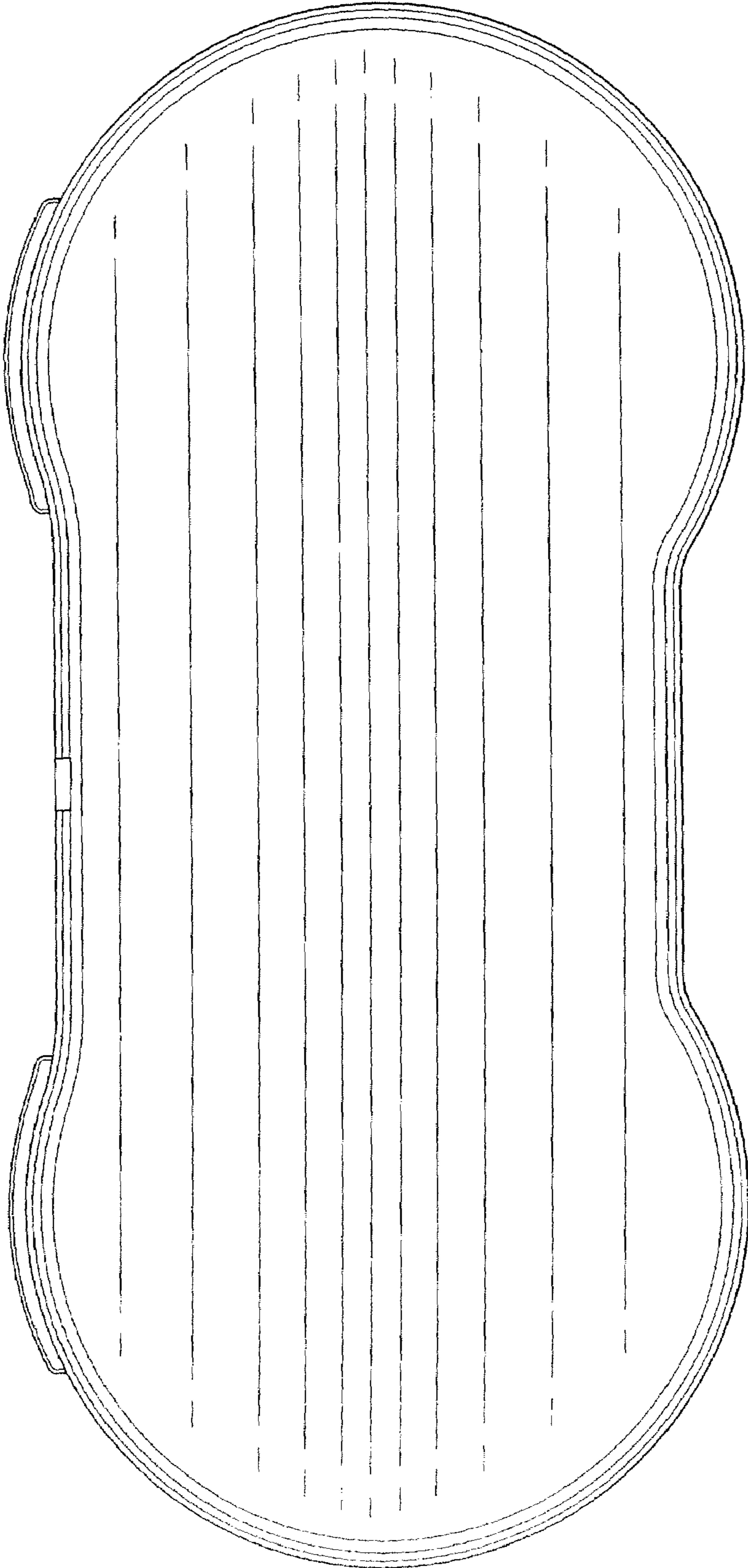


FIG. 5

FIG. 6

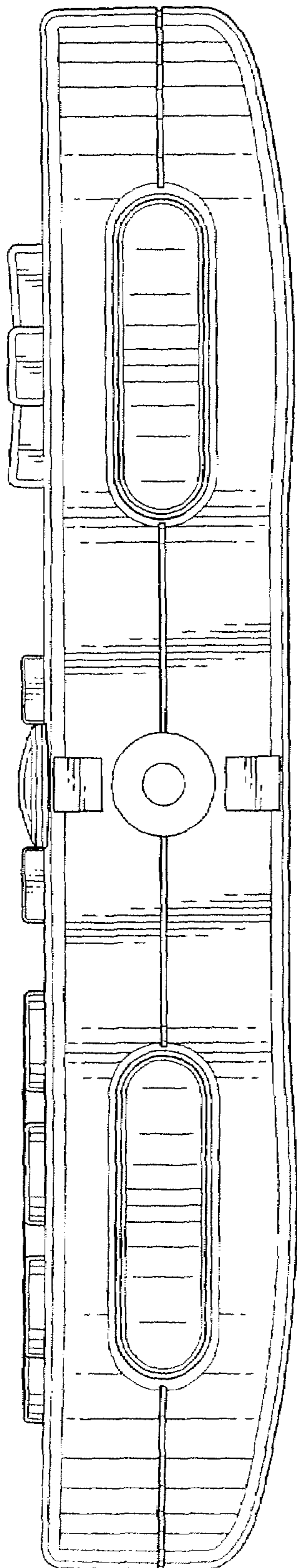


FIG. 7

