



US00D614702S

(12) **United States Design Patent**
Tomiyoshi et al.

(10) **Patent No.:** **US D614,702 S**
(45) **Date of Patent:** **** Apr. 27, 2010**

(54) **DOCUMENT VALIDATOR**

(75) Inventors: **Tetsuya Tomiyoshi**, Osaka (JP);
Tomonori Kitano, Osaka (JP)

(73) Assignee: **Japan Cash Machine, Co. Ltd.**, Osaka (JP)

(**) Term: **14 Years**

(21) Appl. No.: **29/326,474**

(22) Filed: **Oct. 20, 2008**

(30) **Foreign Application Priority Data**

Apr. 21, 2008 (JP) 2008-010261

(51) **LOC (9) Cl.** **20-01**

(52) **U.S. Cl.** **D20/8**

(58) **Field of Classification Search** D20/1-9,
D20/99; 194/206, 217, 229, 239, 302, 342,
194/344, 350, 750; D18/3.1, 3.2, 3.3; D99/28;
209/534; 271/177, 181, 240

See application file for complete search history.

(56) **References Cited**

U.S. PATENT DOCUMENTS

D288,377 S * 2/1987 Kobayashi et al. D20/9
D320,814 S * 10/1991 Yukimoto et al. D20/9
D321,013 S * 10/1991 Yukimoto et al. D20/9
D331,781 S * 12/1992 Nishiumi et al. D20/9
5,653,436 A * 8/1997 Zouzoulas 271/177
D404,075 S * 1/1999 Hatamachi et al. D20/8
6,149,150 A * 11/2000 Onipchenko et al. 271/240
D452,873 S 1/2002 Nakao
D476,688 S * 7/2003 Yu D20/8
D477,902 S * 7/2003 Bergeron et al. D99/28
D488,512 S * 4/2004 Knobel D20/8

D490,473 S * 5/2004 Knobel D20/8
D523,482 S 6/2006 Uemizo
D547,806 S * 7/2007 Uemizo D20/8
2002/0066636 A1 * 6/2002 Saltsov et al. 194/302
2004/0050651 A1 * 3/2004 Heidel 194/217
2006/0225987 A1 * 10/2006 Chien et al. 194/350
2008/0116034 A1 * 5/2008 Yang 194/350

FOREIGN PATENT DOCUMENTS

TW 488854 5/1990
TW D112556 7/1994

* cited by examiner

Primary Examiner—Janice E Seeger

Assistant Examiner—Mary Ann Calabrese

(74) *Attorney, Agent, or Firm*—Bachman & LaPointe, P.C.

(57) **CLAIM**

The ornamental design for a document validator, as shown.

DESCRIPTION

FIG. 1 is a front elevation view of the document validator according to the new design;

FIG. 2 is a rear elevation view thereof;

FIG. 3 is a right side elevation view thereof;

FIG. 4 is a left side elevation view thereof;

FIG. 5 is a plan view thereof;

FIG. 6 is a bottom view thereof;

FIG. 7 is a front perspective view thereof from right upper side; and,

FIG. 8 is a front perspective view thereof from left upper side.

The broken lines as shown in FIG. 6 represent unclaimed portions of the design.

1 Claim, 8 Drawing Sheets

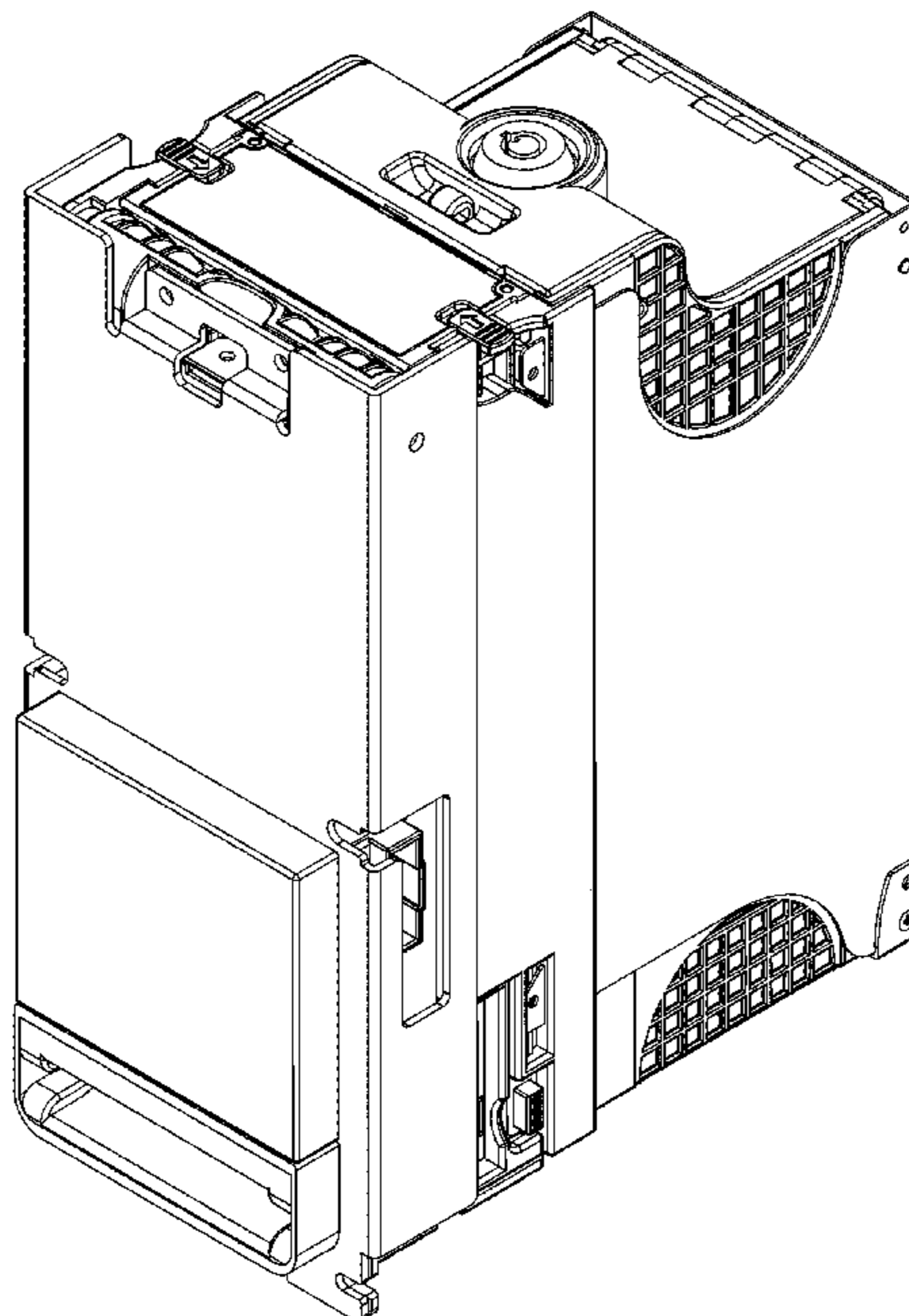


FIG. 1

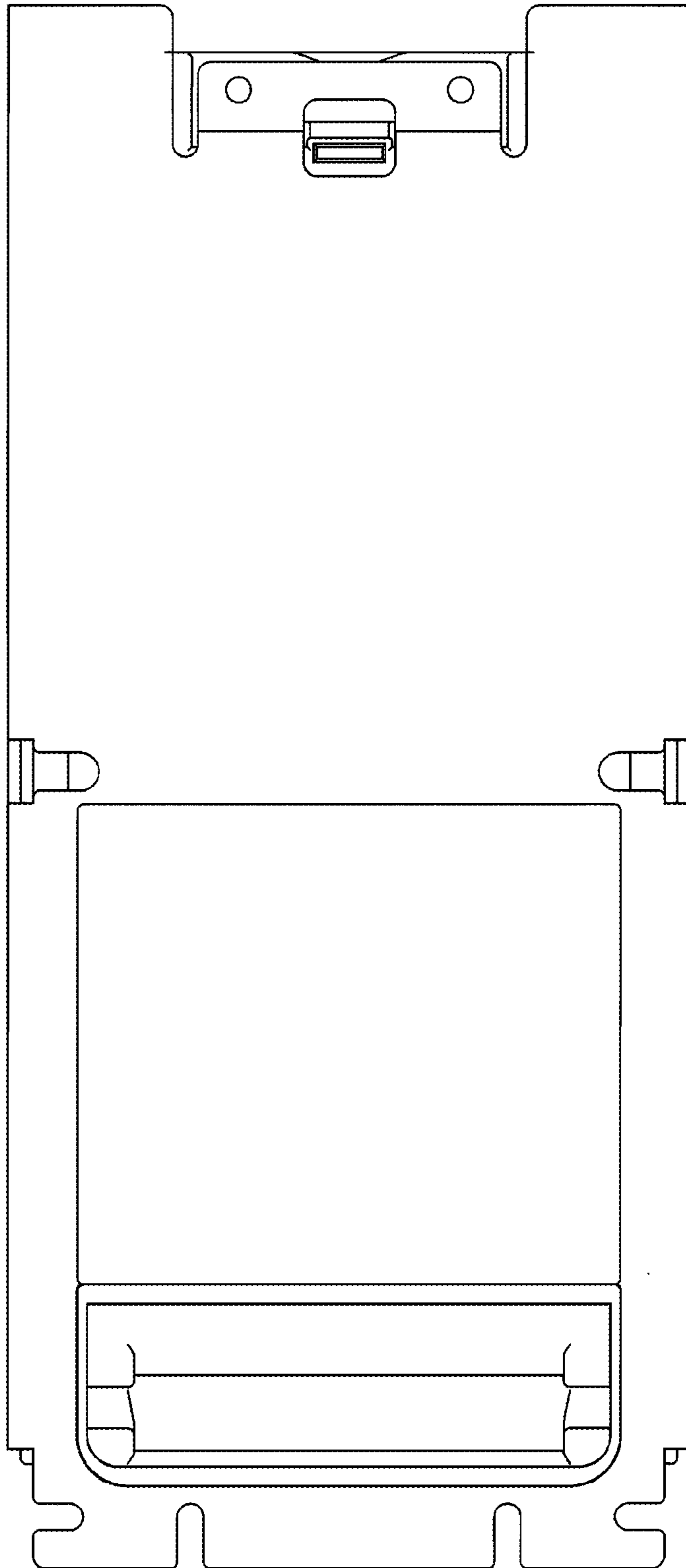


FIG. 2

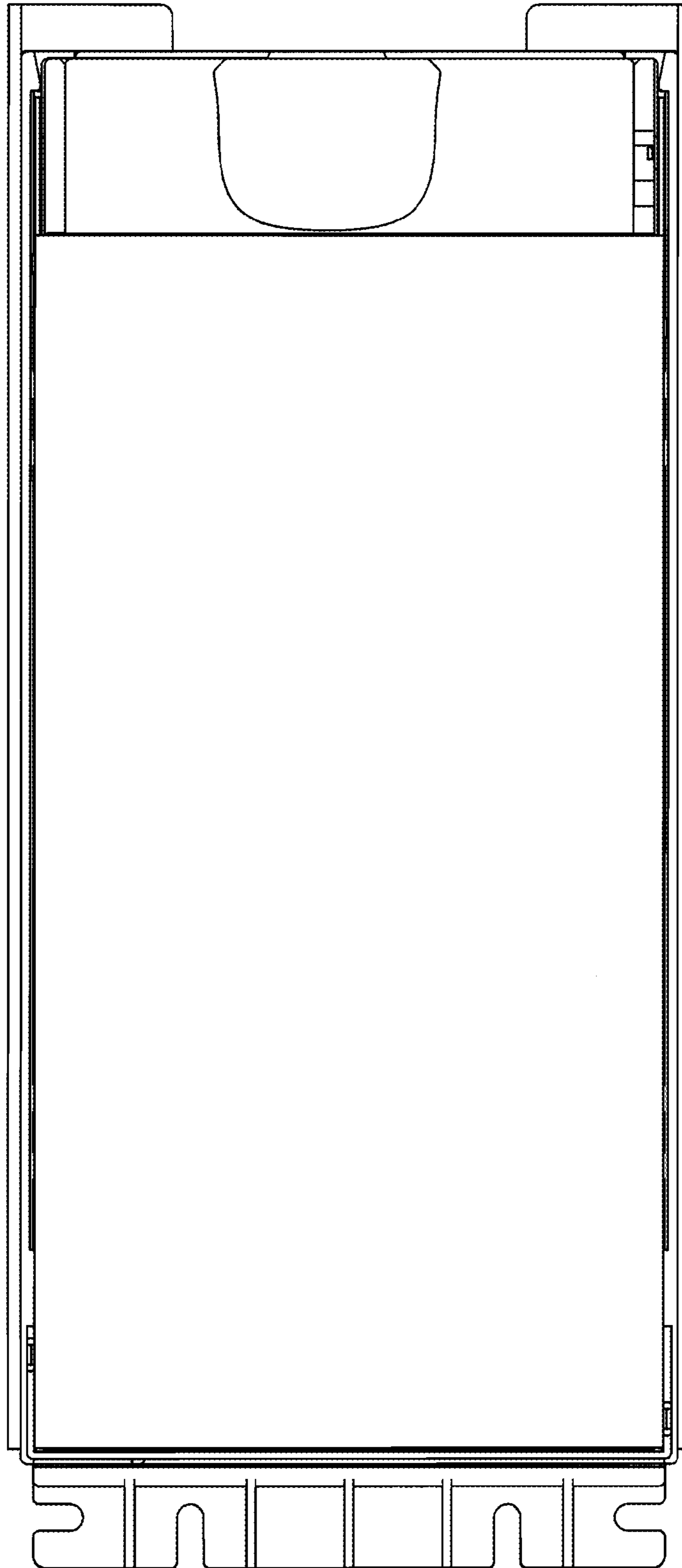


FIG. 3

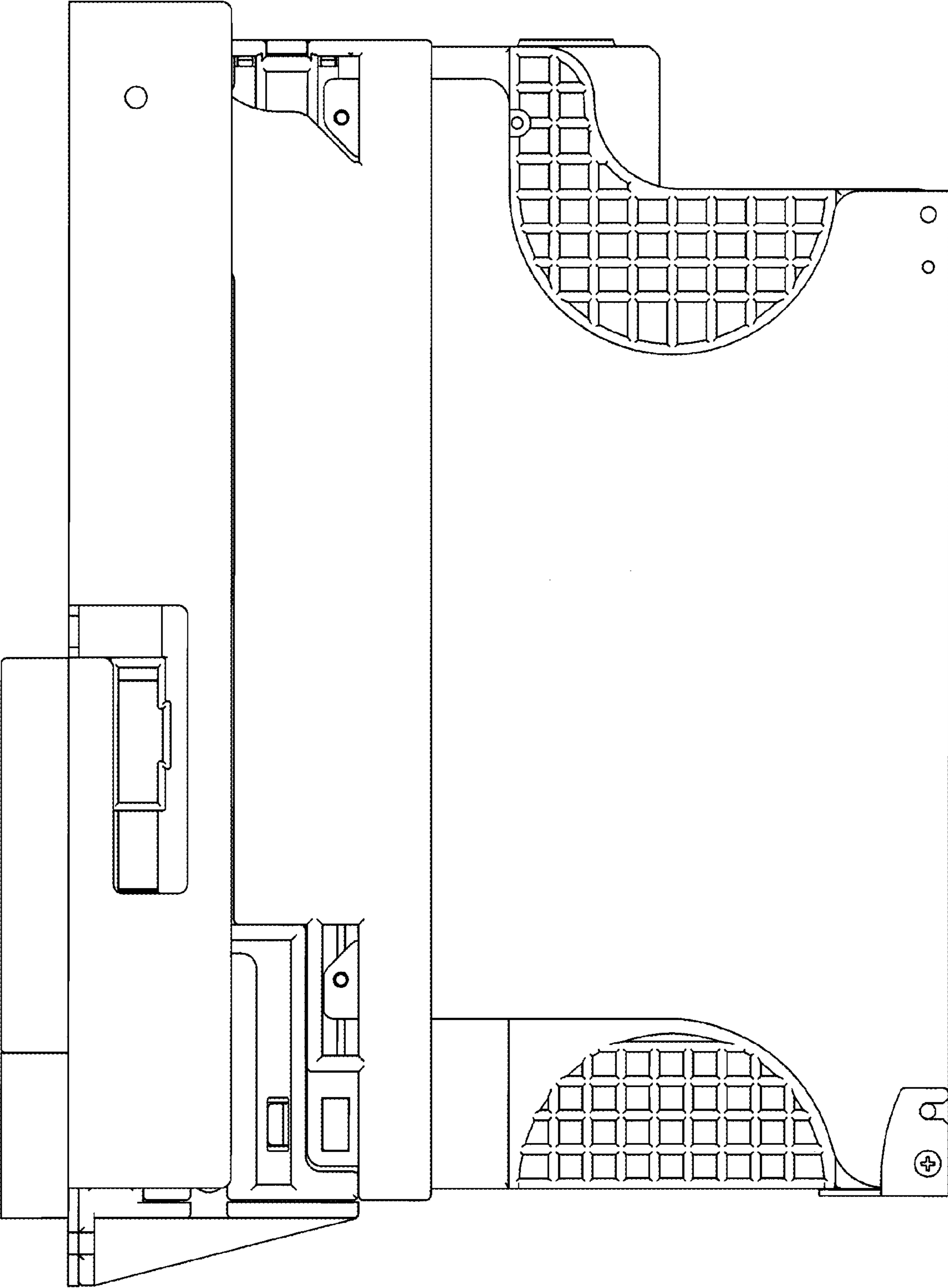


FIG. 4

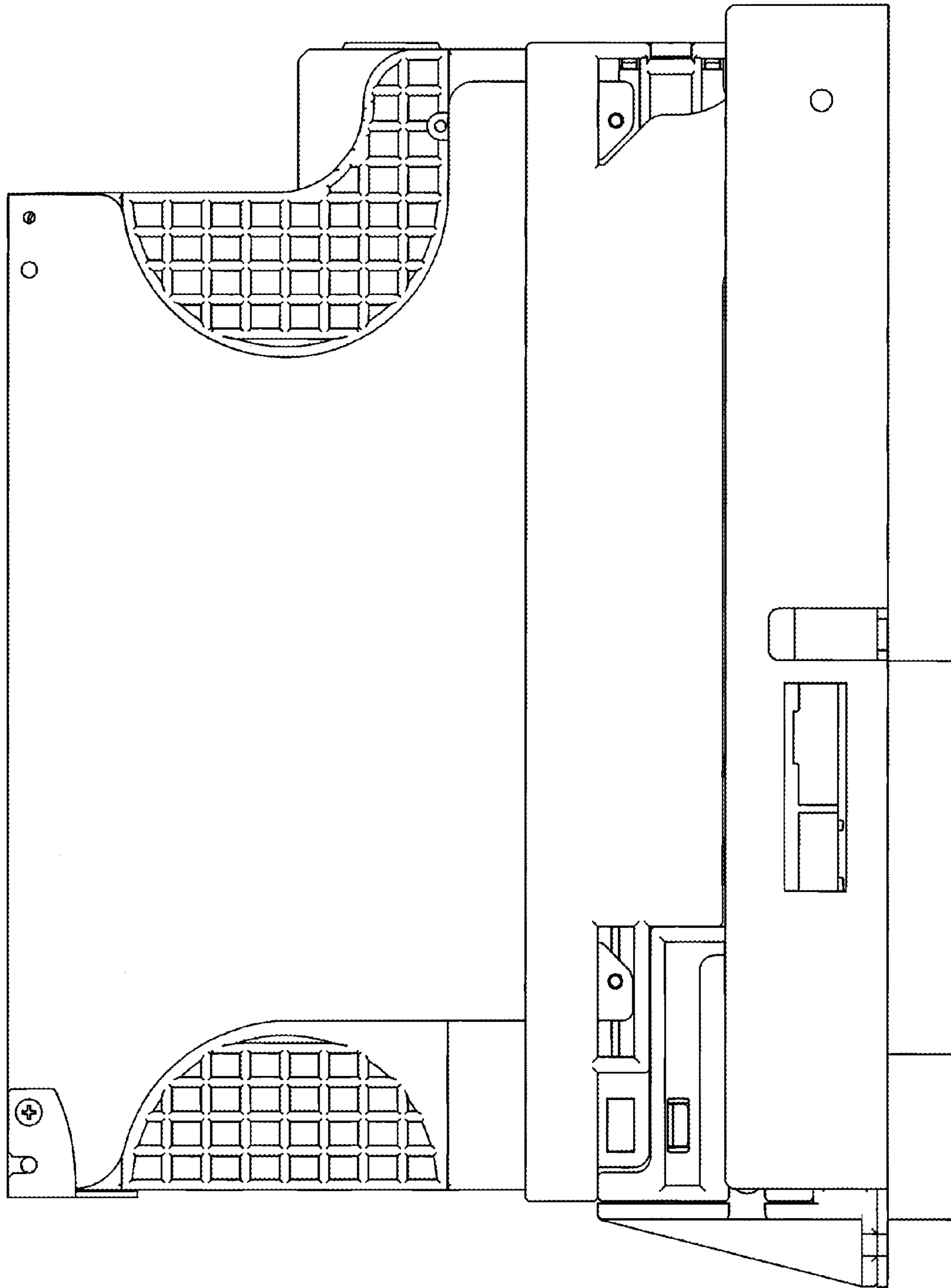


FIG. 5

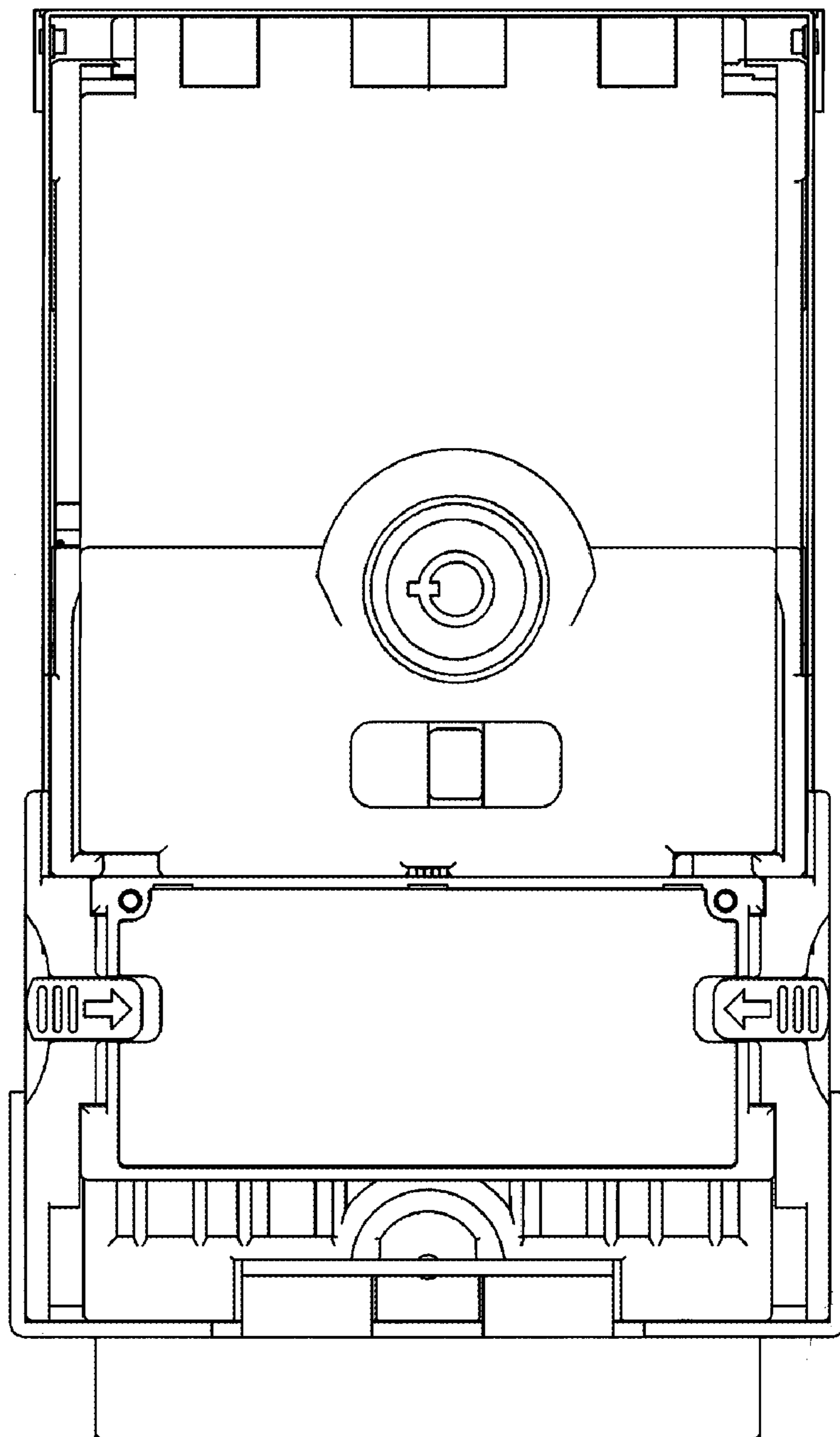


FIG. 6

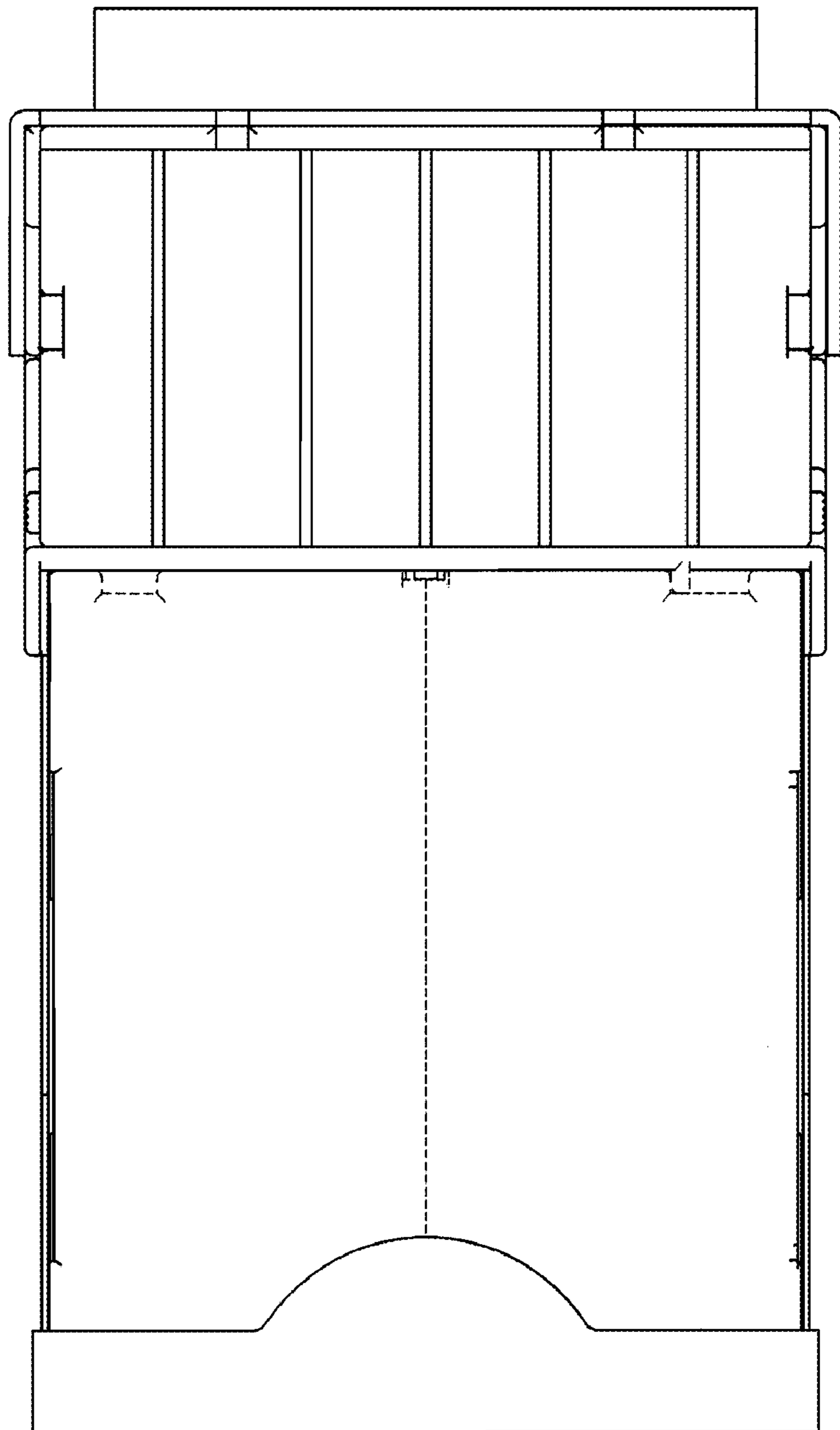


FIG. 7

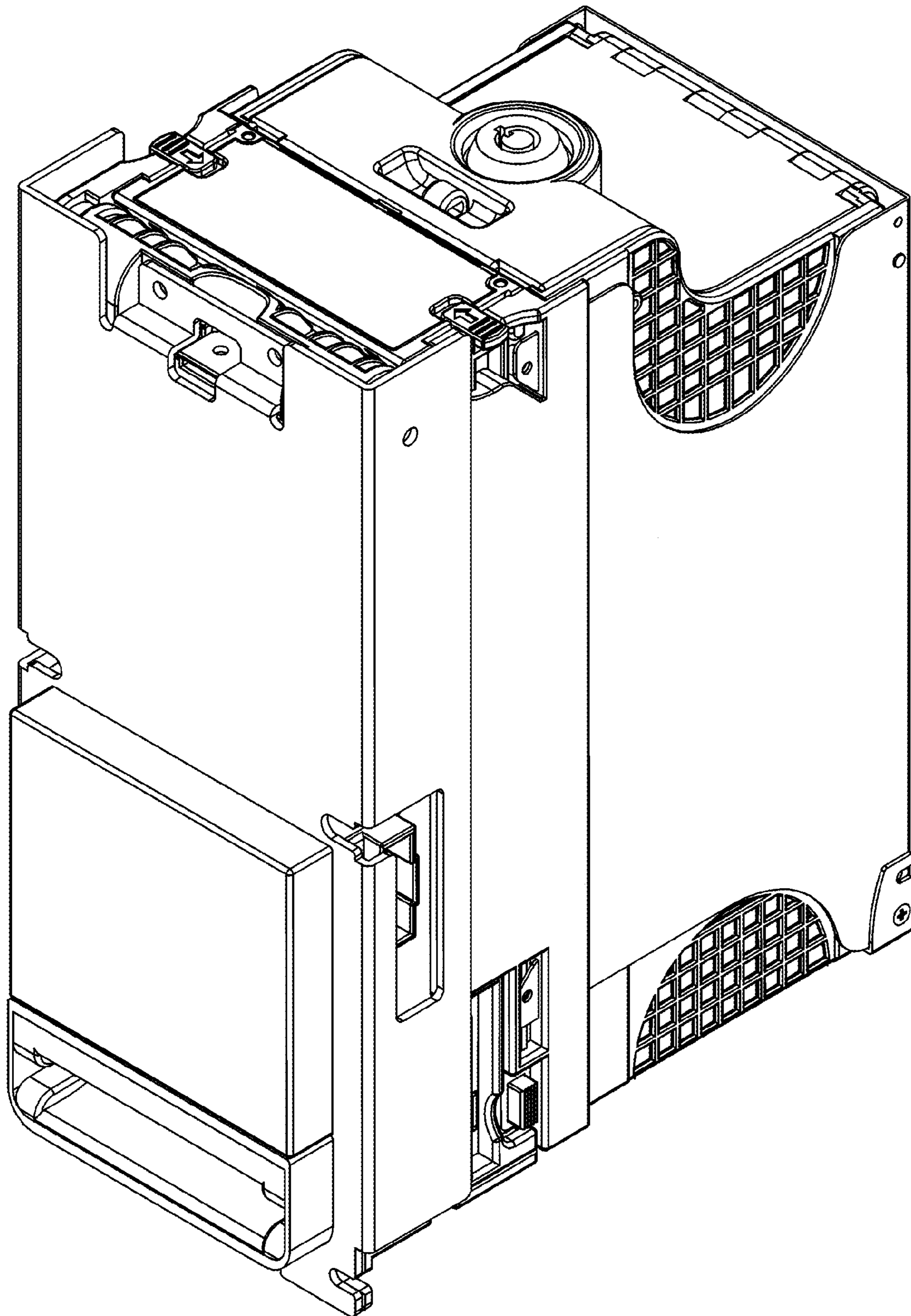


FIG. 8

