



US00D614701S

(12) **United States Design Patent**  
**Magid et al.**

(10) **Patent No.:** **US D614,701 S**

(45) **Date of Patent:** **\*\* \*Apr. 27, 2010**

(54) **PENCIL SHARPENER**

(75) Inventors: **Jason B. Magid**, Wheeling, IL (US);  
**Christopher H. Cunningham**,  
Mundelein, IL (US); **Rong Liu**, Vernon  
Hills, IL (US); **Michael L. Parrish**, Deer  
Park, IL (US)

(73) Assignee: **ACCO Brands Corporation**,  
Lincolnshire, IL (US)

(\*) Notice: This patent is subject to a terminal disclaimer.

(\*\*) Term: **14 Years**

(21) Appl. No.: **29/343,995**

(22) Filed: **Sep. 22, 2009**

(51) **LOC (9) Cl.** ..... **19-06**

(52) **U.S. Cl.** ..... **D19/73**

(58) **Field of Classification Search** ..... D8/91,  
D8/98; D19/72, 73, 74, 99; 30/451-462;  
144/28.1, 28.11, 28.2-28.7, 28.72, 28.8,  
144/28.9

See application file for complete search history.

(56) **References Cited**

U.S. PATENT DOCUMENTS

D117,901	S	*	12/1939	Hoffmann	.....	D19/73
2,251,053	A	*	7/1941	Hoffmann	.....	144/28.71
2,335,148	A	*	11/1943	Hoffmann	.....	144/28.71
2,615,426	A	*	10/1952	Fryer	.....	144/28.6
2,900,958	A	*	8/1959	Johnson	.....	144/28.71
D227,314	S	*	6/1973	Mantelet	.....	D7/386
D320,812	S	*	10/1991	Yuen	.....	D19/73
D354,987	S	*	1/1995	Yuen	.....	D19/73
D390,264	S	*	2/1998	Singleton et al.	.....	D19/73
D396,062	S	*	7/1998	White et al.	.....	D19/73
5,802,948	A	*	9/1998	Andrisin et al.	.....	83/862
D406,173	S	*	2/1999	Chen	.....	D19/73
5,875,555	A	*	3/1999	Andrisin et al.	.....	30/452
D422,313	S	*	4/2000	Chen	.....	D19/73

D425,560	S	*	5/2000	Yuen	.....	D19/73
D441,796	S	*	5/2001	Chan	.....	D19/73
D470,889	S	*	2/2003	Daley, Jr.	.....	D19/73
6,553,882	B1	*	4/2003	Daley et al.	.....	83/453

(Continued)

OTHER PUBLICATIONS

Bostitch Quiet Sharp 6 Classroom Pencil Sharpener Desktop—6 Hole, item # BOSEPS10HC, 2 pages on www.greenlightoffice.com, copyright 2008.\*

(Continued)

*Primary Examiner*—Elizabeth A Albert

(74) *Attorney, Agent, or Firm*—Michael Best & Friedrich LLP

(57) **CLAIM**

We claim the ornamental design for a pencil sharpener, as shown and described.

**DESCRIPTION**

FIG. 1 is a left-side perspective view of a pencil sharpener embodying the present invention.

FIG. 2 is a left side view of the pencil sharpener.

FIG. 3 is a right side view of the pencil sharpener.

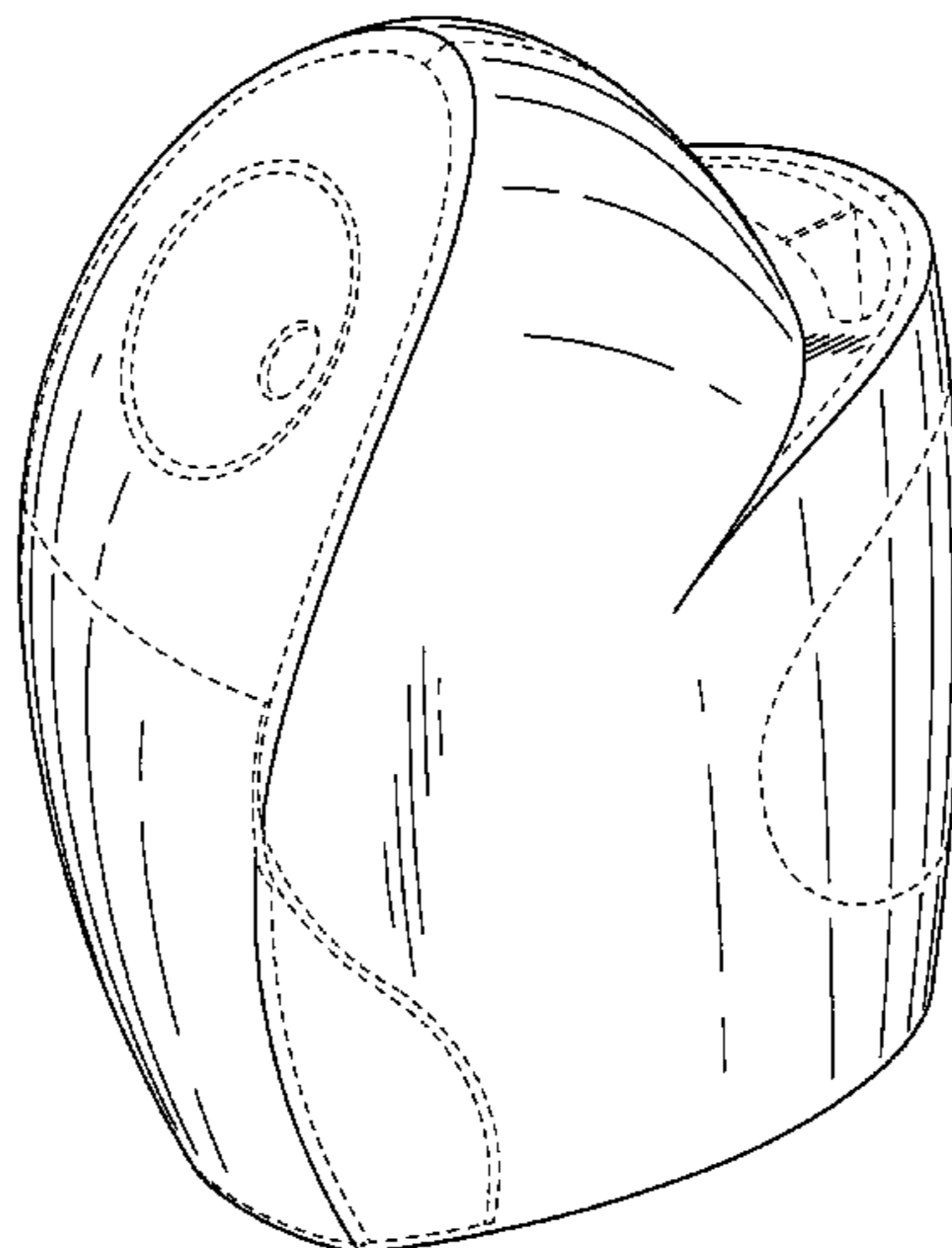
FIG. 4 is a front view of the pencil sharpener.

FIG. 5 is a rear view of the pencil sharpener; and,

FIG. 6 is a top view of the pencil sharpener.

The broken line showing portions of the pencil sharpener are included for the purpose of illustrating environmental matter and form no part of the claimed design.

**1 Claim, 5 Drawing Sheets**



# US D614,701 S

Page 2

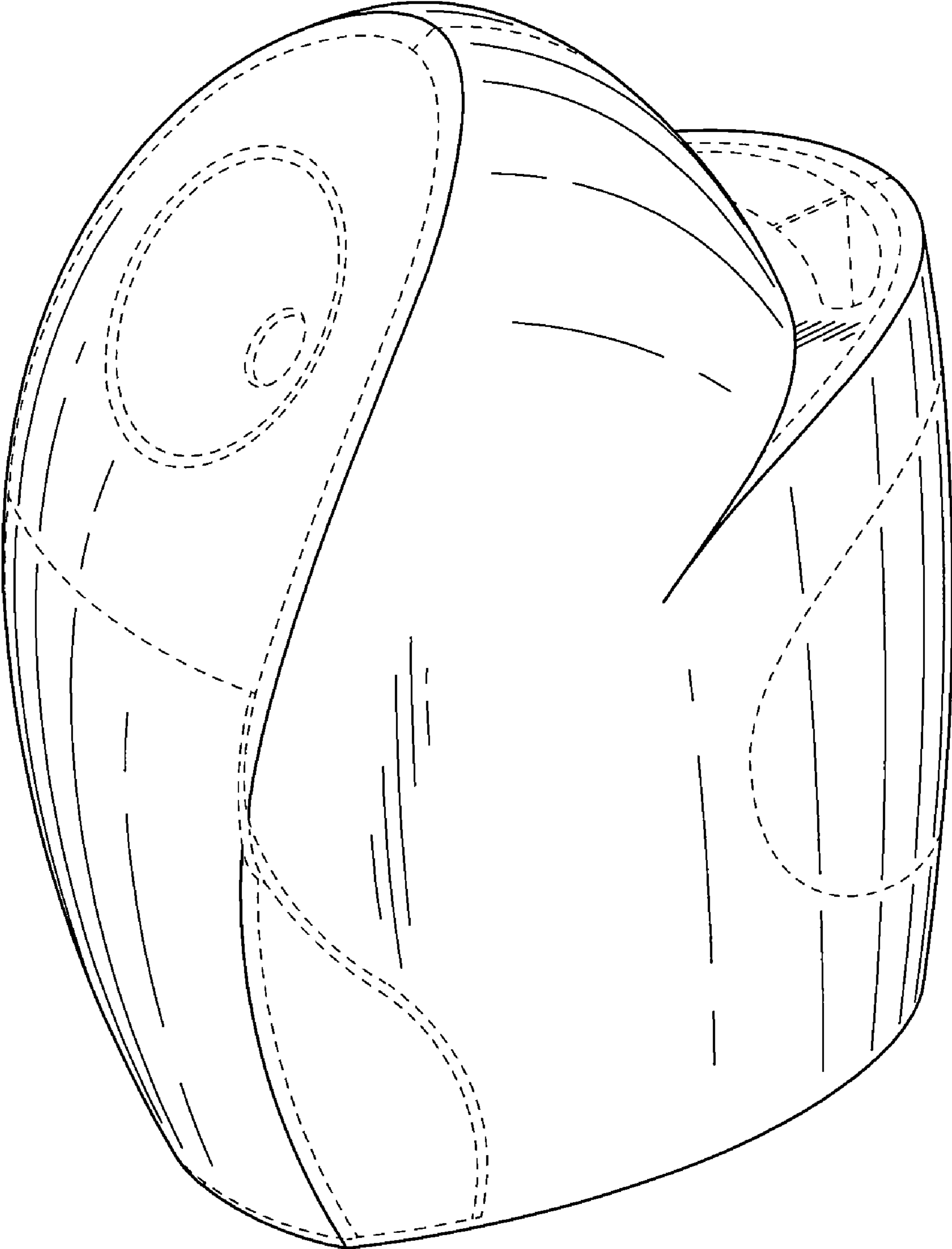
## U.S. PATENT DOCUMENTS

D480,110 S *	9/2003	Lin	.....	D19/75	7,311,235 B2 *	12/2007	Aoki	.....	227/7
D495,004 S *	8/2004	Yuen	.....	D19/73	D560,721 S *	1/2008	Joachim et al.	.....	D19/73
D495,366 S *	8/2004	Yuen	.....	D19/73	7,360,566 B2 *	4/2008	Chang	.....	144/28.5
D500,798 S *	1/2005	Yuen	.....	D19/73	D569,914 S *	5/2008	Kotani et al.	.....	D19/73
6,886,614 B2 *	5/2005	Ricono et al.	.....	144/28.11	D587,550 S *	3/2009	Smith	.....	D8/93
7,134,461 B2 *	11/2006	Takada	.....	144/28.72	D597,602 S *	8/2009	Racamier et al.	.....	D19/73
D543,244 S *	5/2007	Tsuruha	.....	D19/73	D597,603 S *	8/2009	Racamier et al.	.....	D19/73
D545,370 S *	6/2007	Kent et al.	.....	D19/73					
D545,371 S *	6/2007	Kent et al.	.....	D19/73					
D545,372 S *	6/2007	Kent et al.	.....	D19/73					
D553,193 S *	10/2007	Parrish et al.	.....	D19/73					

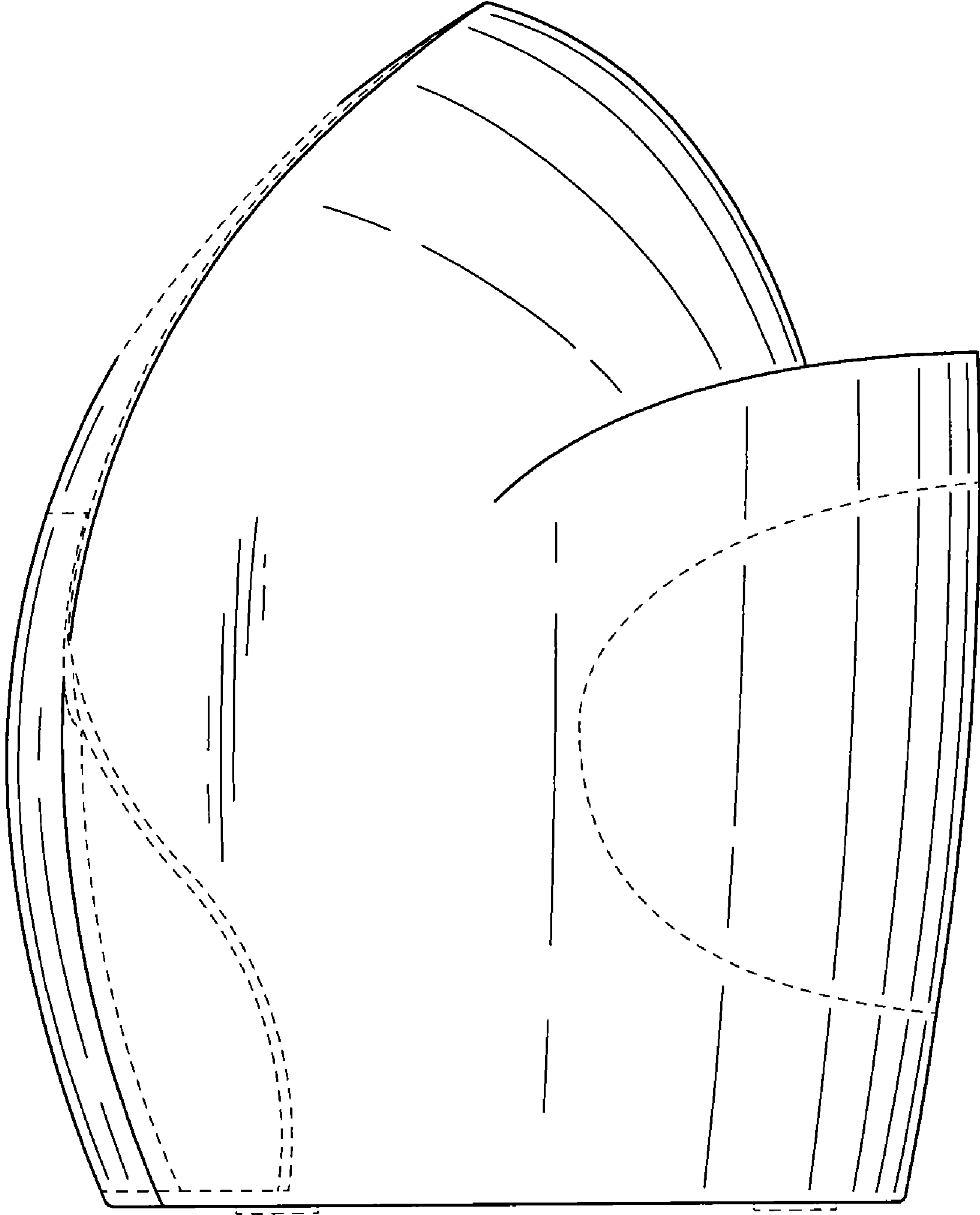
## OTHER PUBLICATIONS

Dahle Personal Rotary Pencil Sharpener, item # 6702050, 2 pages, on [www.misterart.com](http://www.misterart.com), copyright 1996-2009.\*

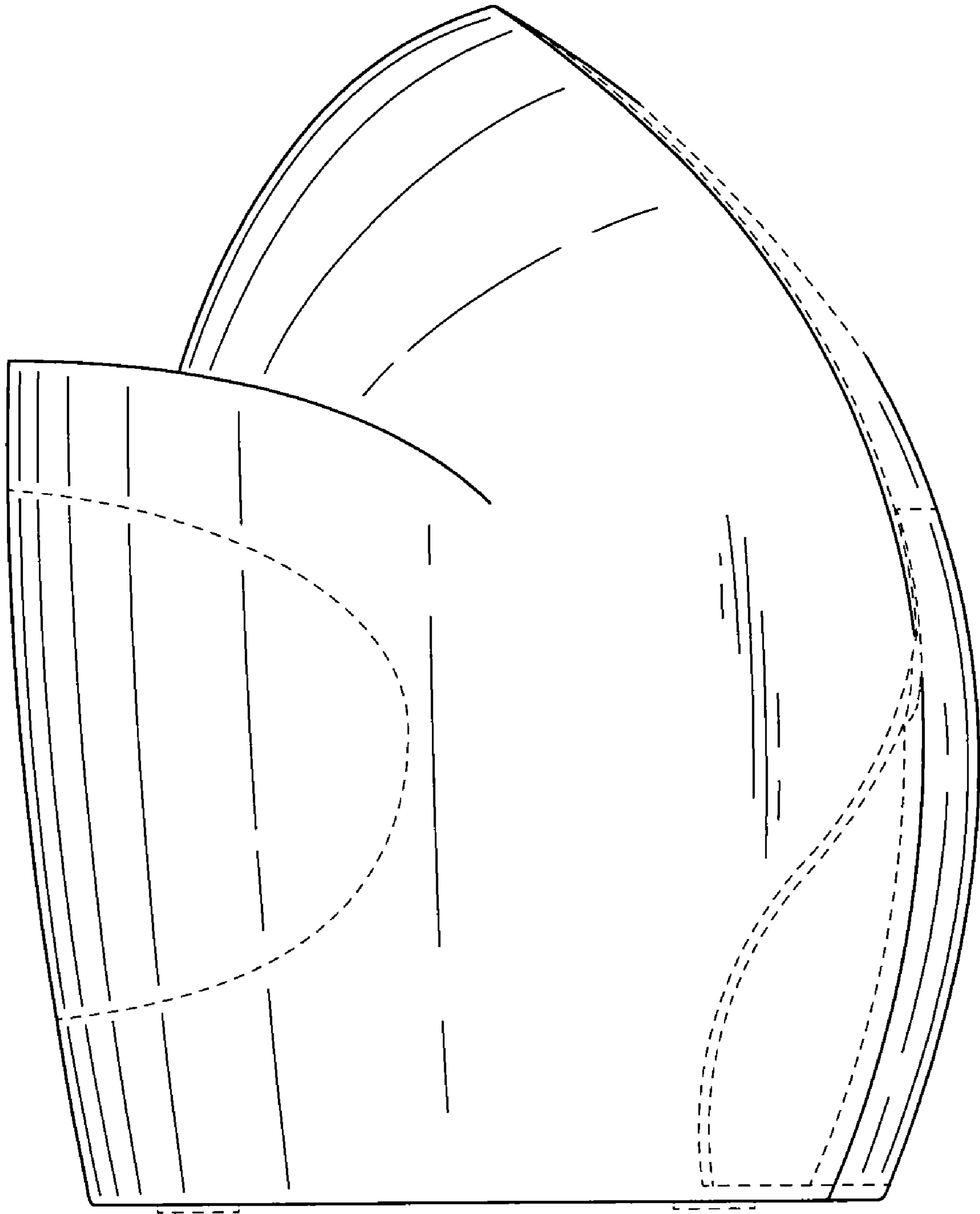
\* cited by examiner



**FIG. 1**



**FIG. 2**



**FIG. 3**

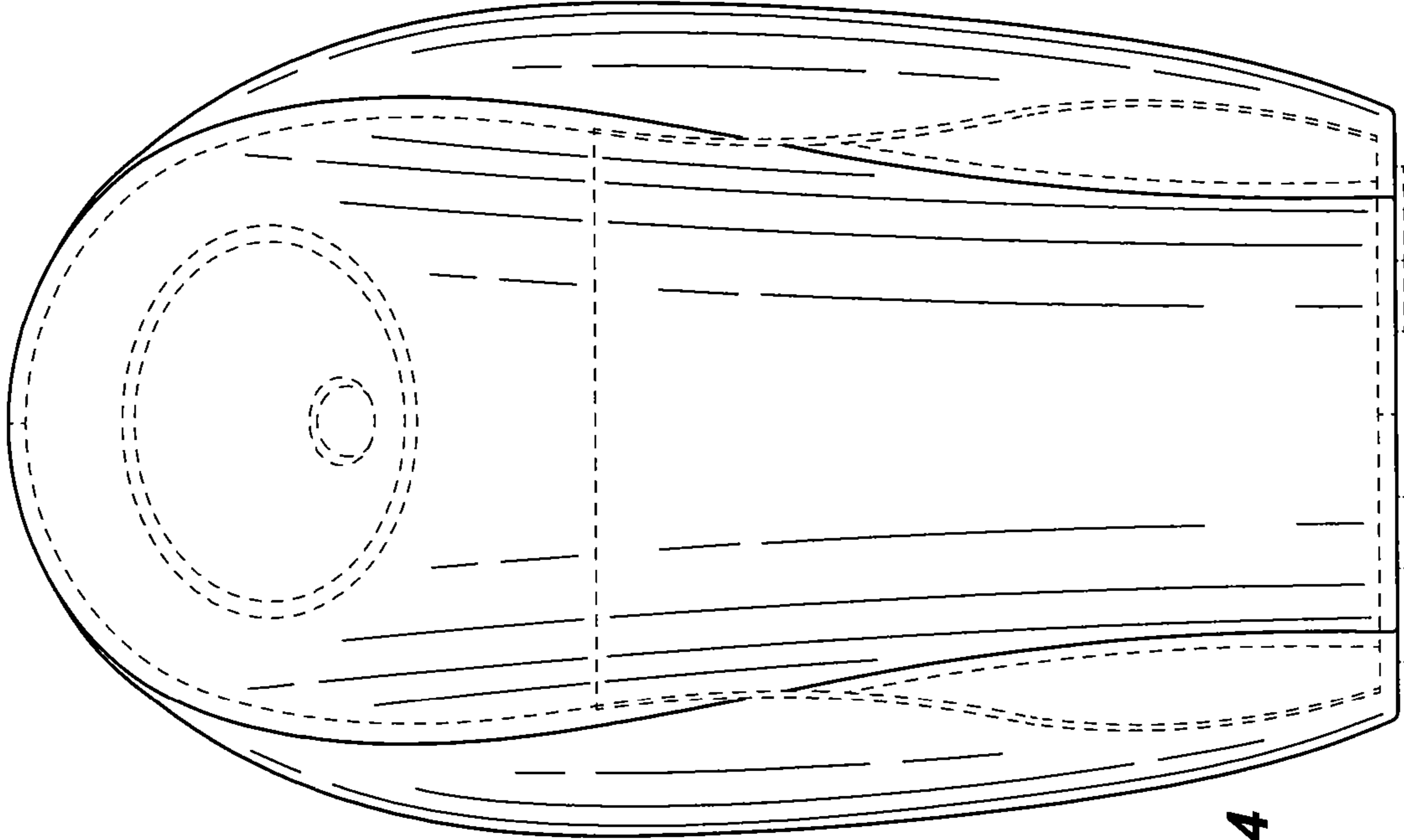


FIG. 4

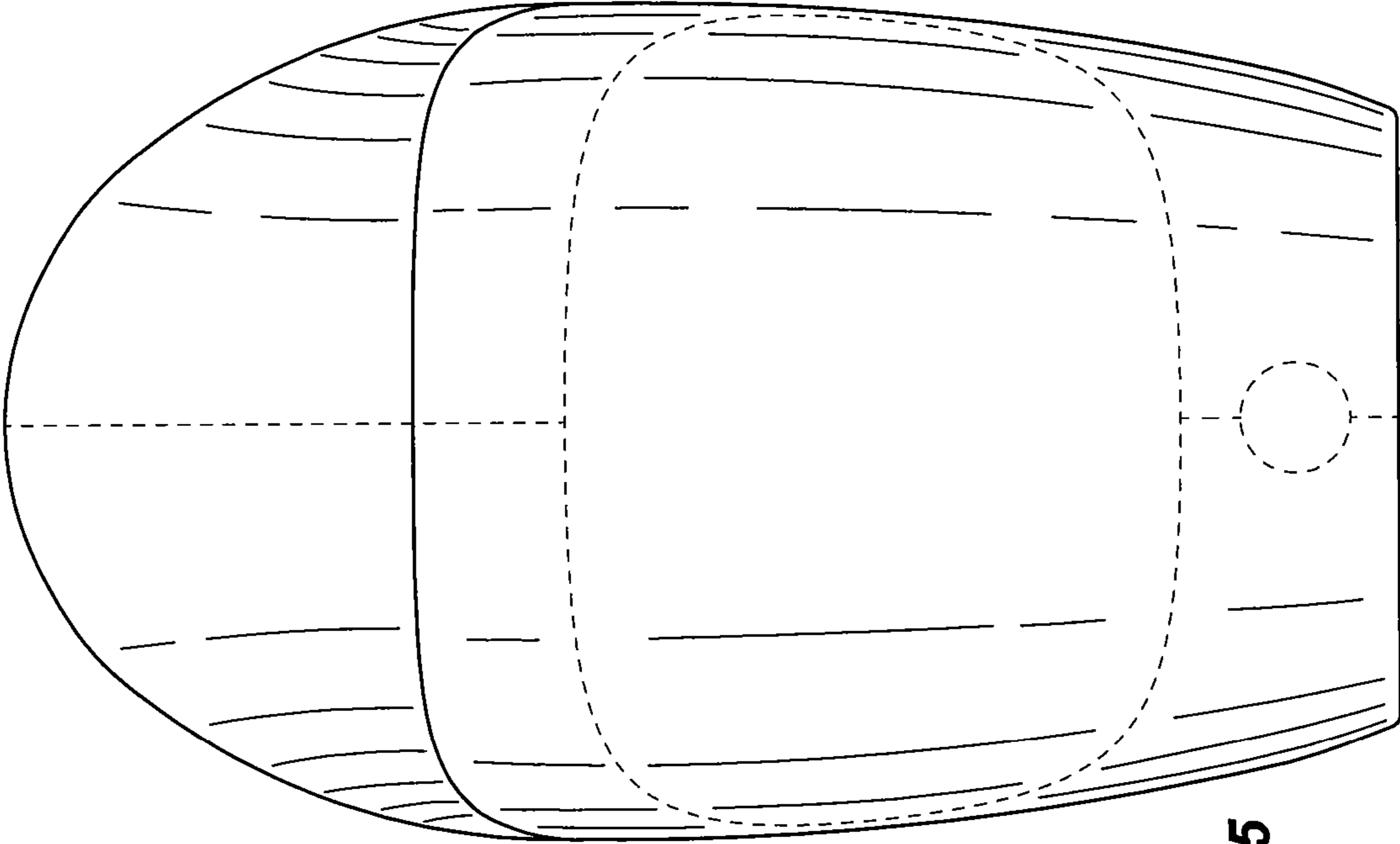
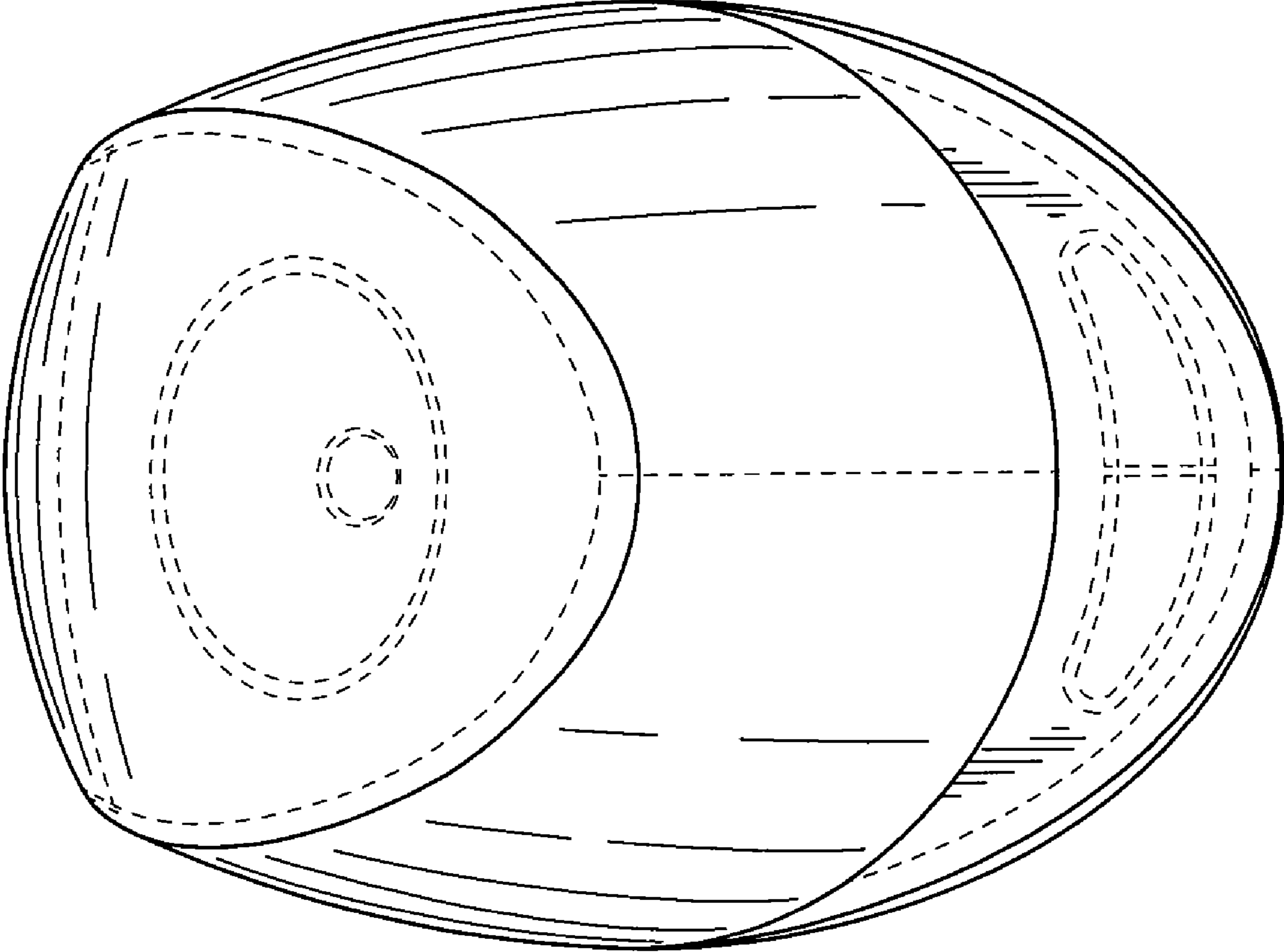


FIG. 5





**FIG. 6**