



US00D614697S

(12) **United States Design Patent**
Parshad

(10) **Patent No.:** **US D614,697 S**

(45) **Date of Patent:** **** Apr. 27, 2010**

(54) **TAPE DISPENSER**

(76) Inventor: **David Parshad**, 10 Brogan Court,
Markham, Ontario (CA) L3P 6G1

(**) Term: **14 Years**

(21) Appl. No.: **29/347,169**

(22) Filed: **Oct. 14, 2009**

(51) **LOC (9) Cl.** **08-02**

(52) **U.S. Cl.** **D19/69**

(58) **Field of Classification Search** D19/36,
D19/70, 69, 68; D13/133, 146; 242/588.6,
242/588.3, 588.2; 225/77, 6, 56, 69, 26,
225/25, 19, 11; 206/411; 156/577, 527,
156/523

See application file for complete search history.

(56) **References Cited**

U.S. PATENT DOCUMENTS

D270,649 S *	9/1983	Evenson	D19/69
D276,590 S	12/1984	Lobel		
D331,262 S	11/1992	O'Brien		
D361,086 S *	8/1995	Thompson et al.	D19/69
D407,115 S	3/1999	Baker		
D407,438 S	3/1999	Kelders		
D407,750 S	4/1999	Watters		

D448,413 S	9/2001	Carlson		
D469,813 S *	2/2003	Ho	D19/89
D485,303 S *	1/2004	Chen	D19/69
D524,374 S	7/2006	Carlson		
D540,872 S	4/2007	Goolrick		
D586,857 S *	2/2009	Slowikowski et al.	D19/69
D590,887 S *	4/2009	Newbould et al.	D19/67

* cited by examiner

Primary Examiner—Cathron C Brooks

Assistant Examiner—Austin Murphy

(57) **CLAIM**

I claim the ornamental design for a tape dispenser, as shown.

DESCRIPTION

FIG. 1 is a perspective view of a paperweight showing my new design;

FIG. 2 is a left side elevation view thereof;

FIG. 3 is a right side elevation view thereof;

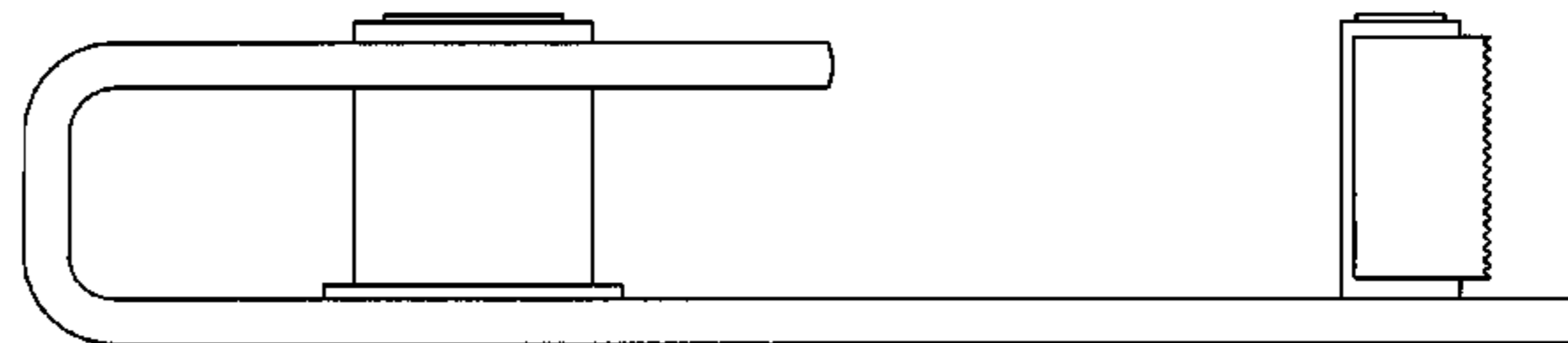
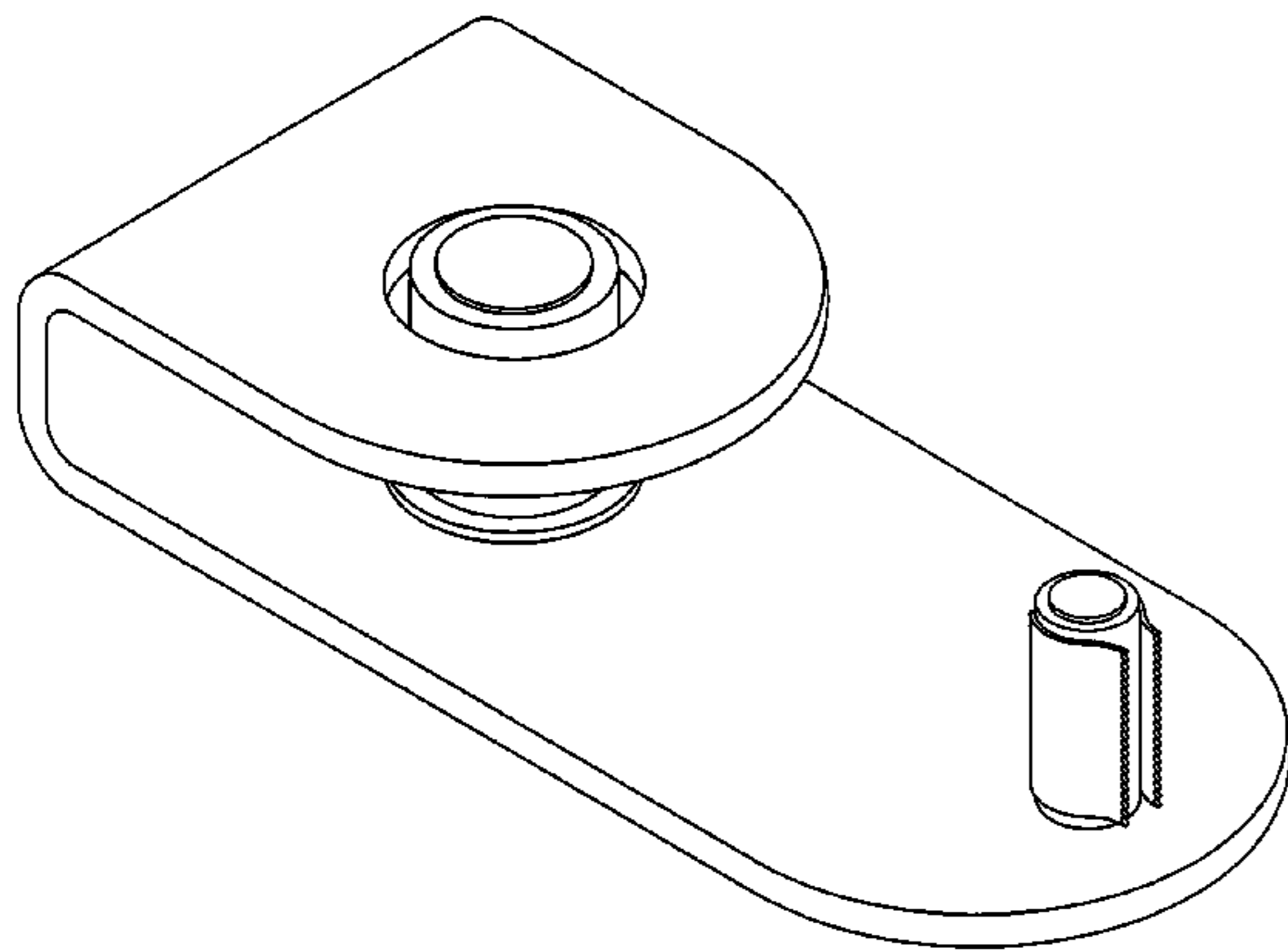
FIG. 4 is a front elevation view thereof

FIG. 5 is a rear elevation view thereof;

FIG. 6 is a top elevation view thereof; and,

FIG. 7 is a bottom view thereof.

1 Claim, 7 Drawing Sheets



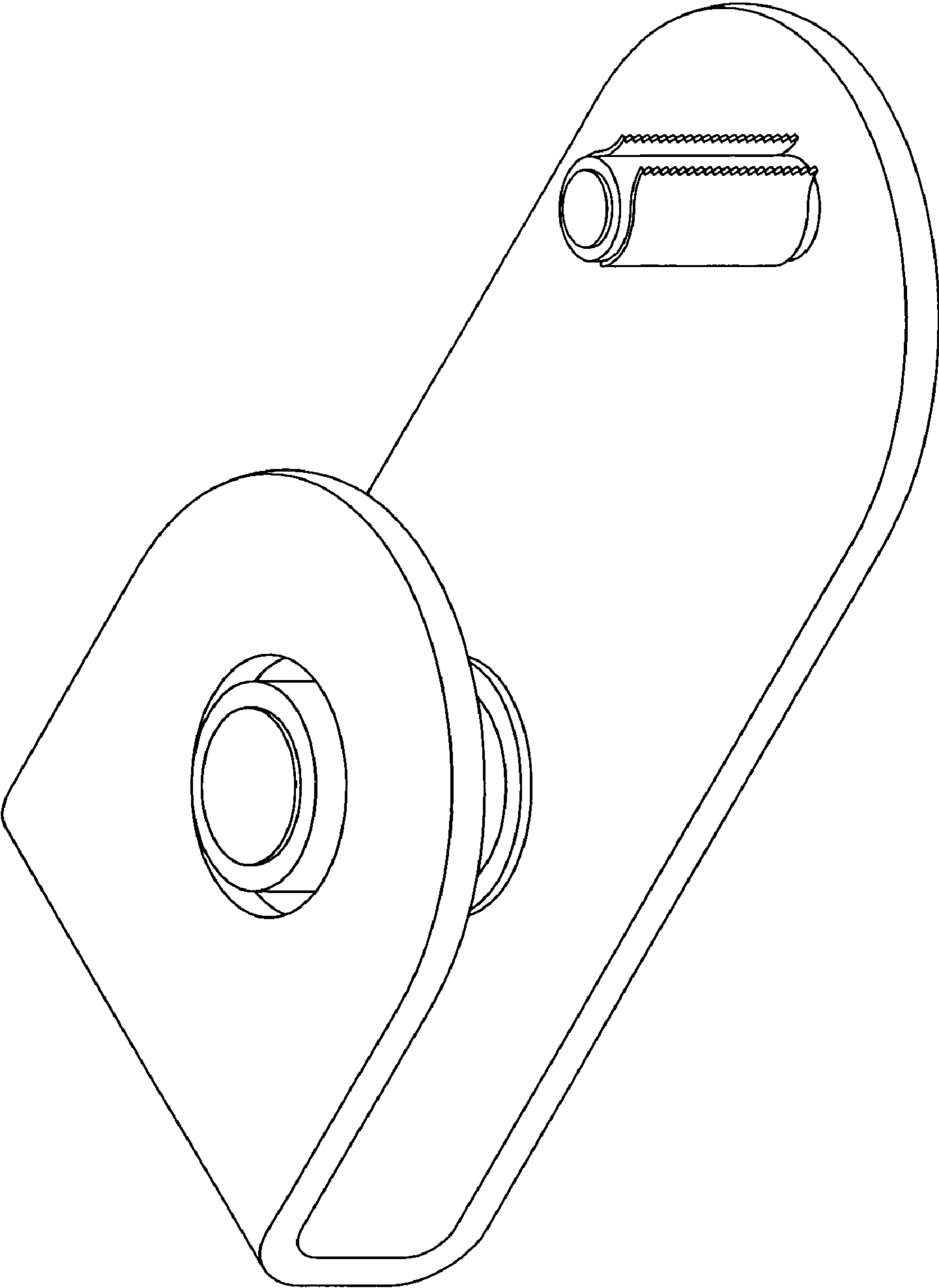


FIG.1.

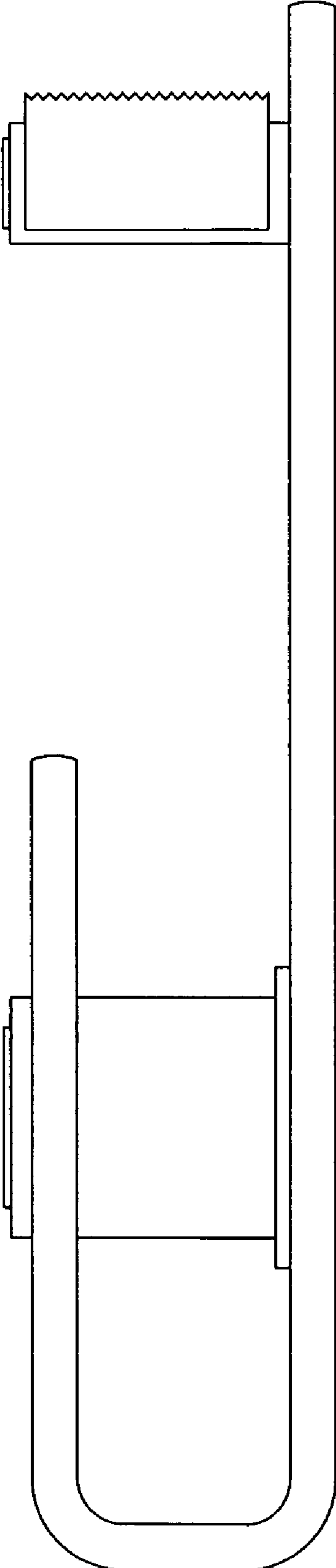


FIG.2.

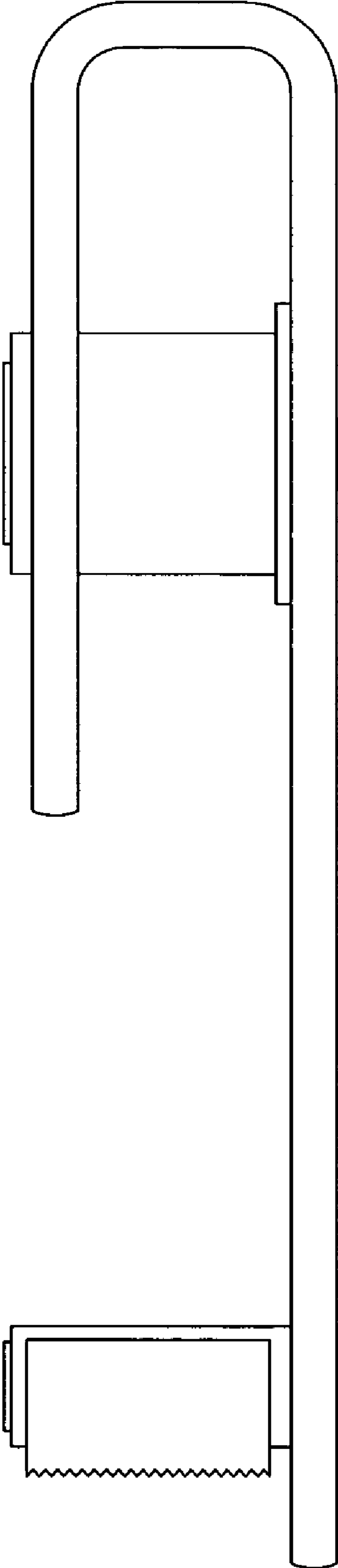


FIG.3.

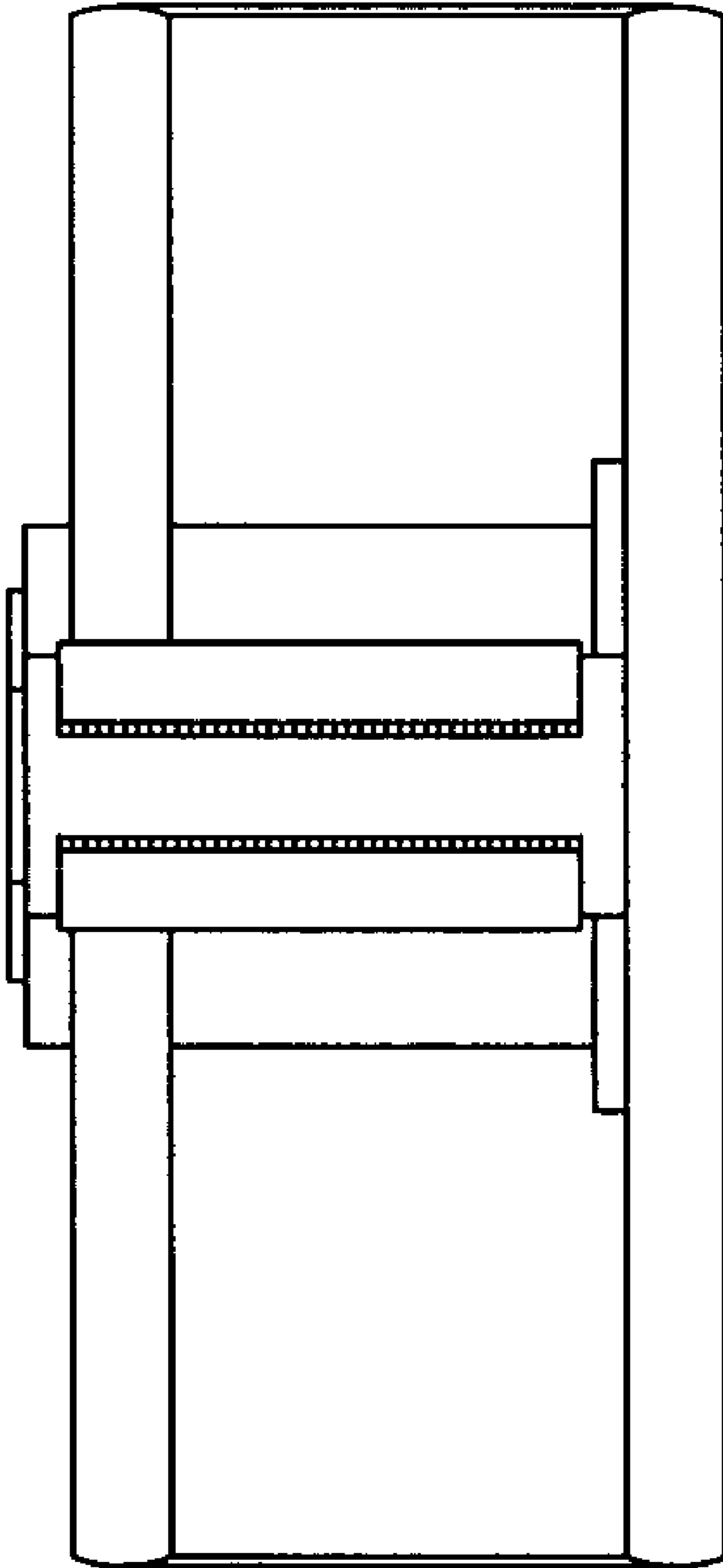


FIG. 4.

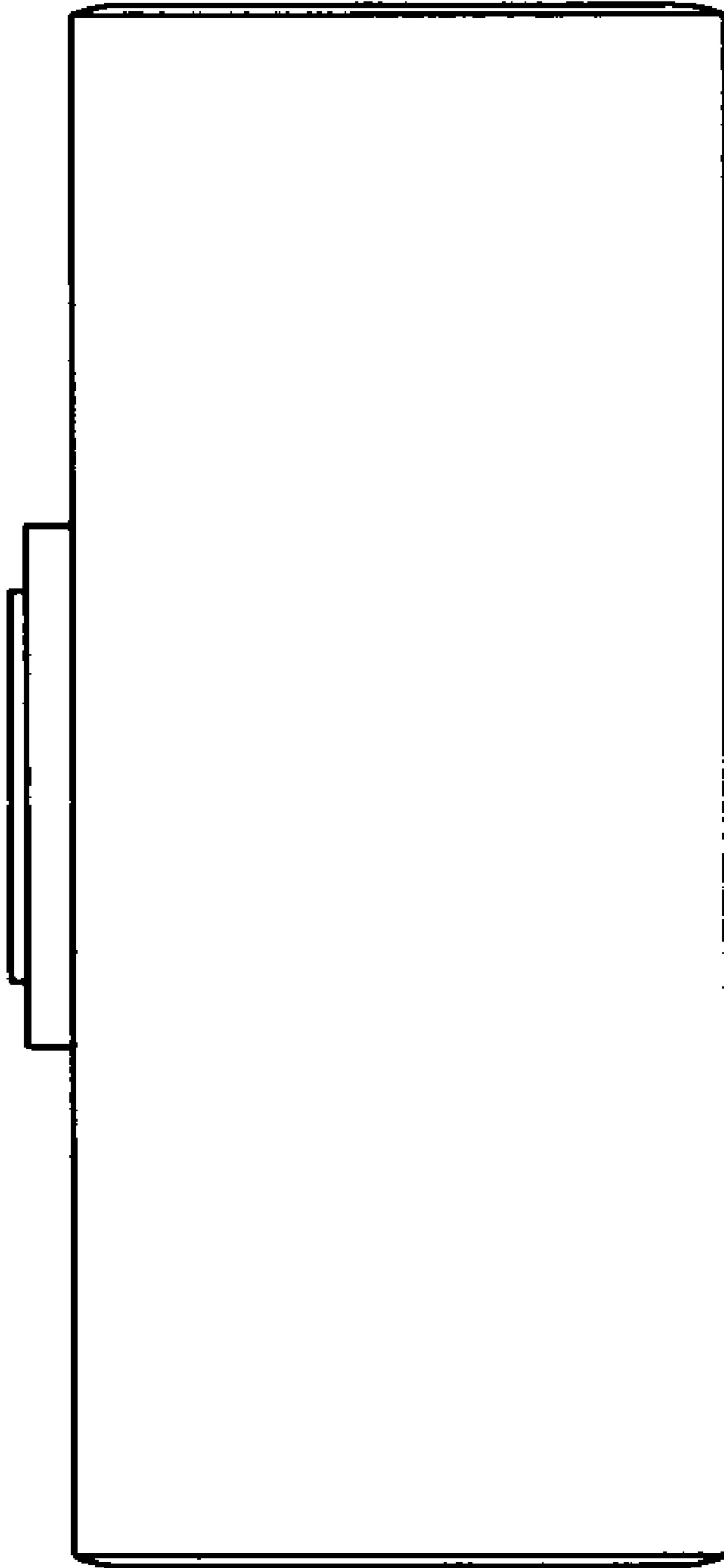


FIG. 5.

FIG. 6.

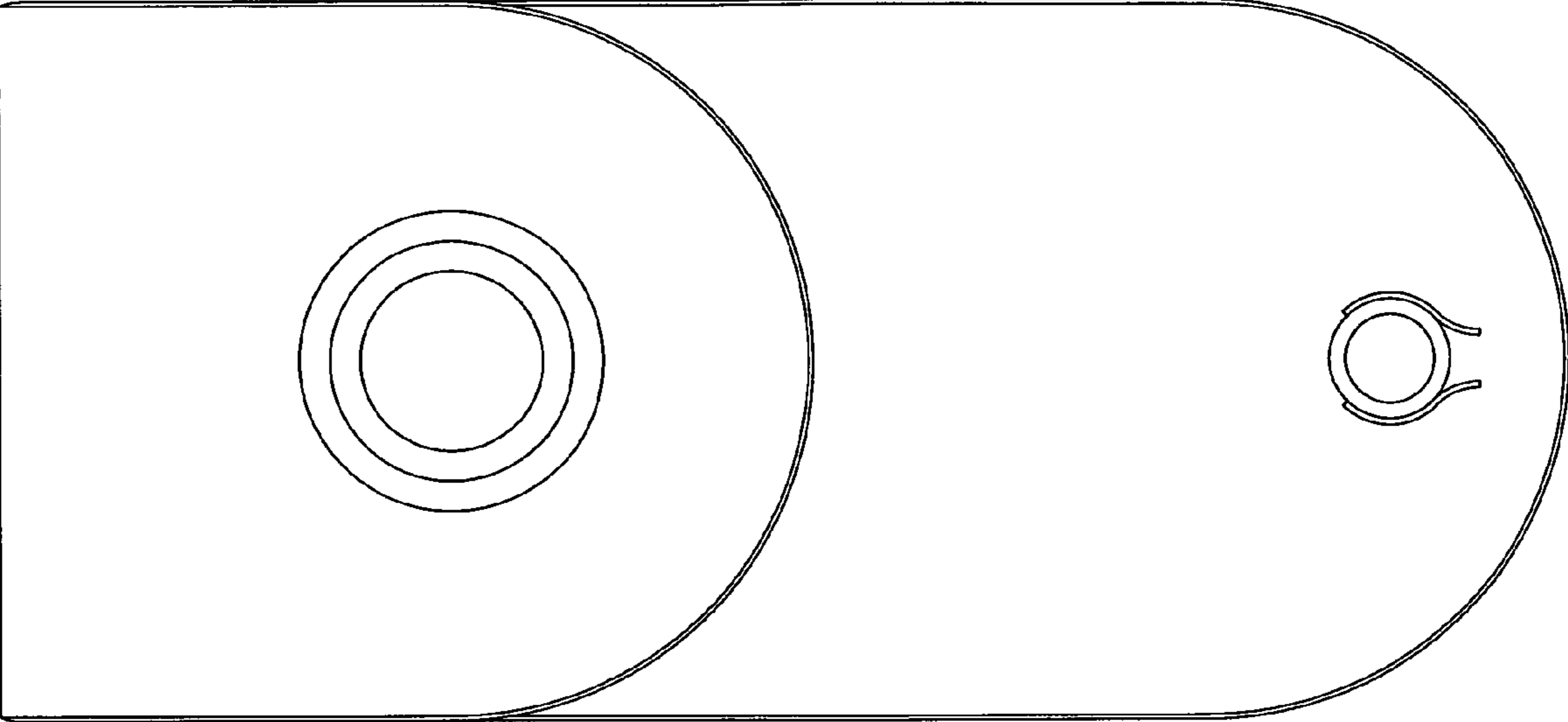


FIG. 7.

