



US00D614696S

(12) **United States Design Patent**
Harada

(10) **Patent No.:** **US D614,696 S**
(45) **Date of Patent:** **** Apr. 27, 2010**

(54) **WASTE INK BOX FOR PRINTER**

(75) Inventor: **Shuhei Harada**, Chino (JP)

(73) Assignee: **Seiko Epson Corporation** (JP)

(**) Term: **14 Years**

(21) Appl. No.: **29/316,518**

(22) Filed: **Oct. 5, 2009**

Related U.S. Application Data

(62) Division of application No. 29/310,256, filed on Aug. 4, 2008, now Pat. No. Des. 608,612.

(30) **Foreign Application Priority Data**

Mar. 18, 2008	(JP)	2008-006636
Mar. 18, 2008	(JP)	2008-006637
Mar. 18, 2008	(JP)	2008-006640
Mar. 18, 2008	(JP)	2008-006641
Jun. 9, 2008	(JP)	2008-014615
Jun. 9, 2008	(JP)	2008-014616

(51) **LOC (9) Cl.** **18-02**

(52) **U.S. Cl.** **D18/56**

(58) **Field of Classification Search** D18/14,
D18/18, 40, 43, 50, 56-59, 99; 347/7, 20,
347/29, 30, 32, 33, 50, 62, 85-87, 92-94;
D9/417, 521, 533, 569, 573; D17/481
See application file for complete search history.

(56) **References Cited**

U.S. PATENT DOCUMENTS

D331,939 S	*	12/1992	Ujita	D18/12
D391,289 S	*	2/1998	Inoue et al.	D18/56
D423,043 S	*	4/2000	Ishigami et al.	D18/56
D425,110 S	*	5/2000	Dietl et al.	D18/56
D464,672 S	*	10/2002	Shinano et al.	D18/56
D467,964 S	*	12/2002	Shinano et al.	D18/56
D477,020 S		7/2003	Seino		
D489,757 S	*	5/2004	Matsumoto	D18/56
6,799,829 B2		10/2004	Mah et al.		

D511,792 S	*	11/2005	Shinada et al.	D18/56
D522,049 S		5/2006	Ishizawa et al.		
D524,855 S	*	7/2006	Ishizawa et al.	D18/56
D528,598 S		9/2006	Ishizawa et al.		
D529,954 S		10/2006	Matsumoto		
D534,581 S		1/2007	Ikezaki et al.		
D536,374 S		2/2007	Shinada et al.		
D538,338 S	*	3/2007	Matsumoto	D18/56
D541,336 S		4/2007	Hattori		
D541,851 S		5/2007	Hattori et al.		
D569,422 S		5/2008	Matsumoto		
D573,180 S		7/2008	Yoshino		
D579,491 S	*	10/2008	Matsumoto	D18/56
D579,492 S		10/2008	Matsumoto		

(Continued)

Primary Examiner—Philip S Hyder

Assistant Examiner—Susan E Krakower

(74) *Attorney, Agent, or Firm*—Harness, Dickey & Pierce, P.L.C.

(57) **CLAIM**

The ornamental design for a waste ink box for printer, as shown and described.

DESCRIPTION

FIG. 1 is a perspective view of a waste ink box for printer as viewed from the front bottom and right side thereof showing my new design;

FIG. 2 is a perspective view thereof, as viewed from the rear, top and left side thereof;

FIG. 3 is a right side view thereof;

FIG. 4 is a left side view thereof;

FIG. 5 is a front view thereof;

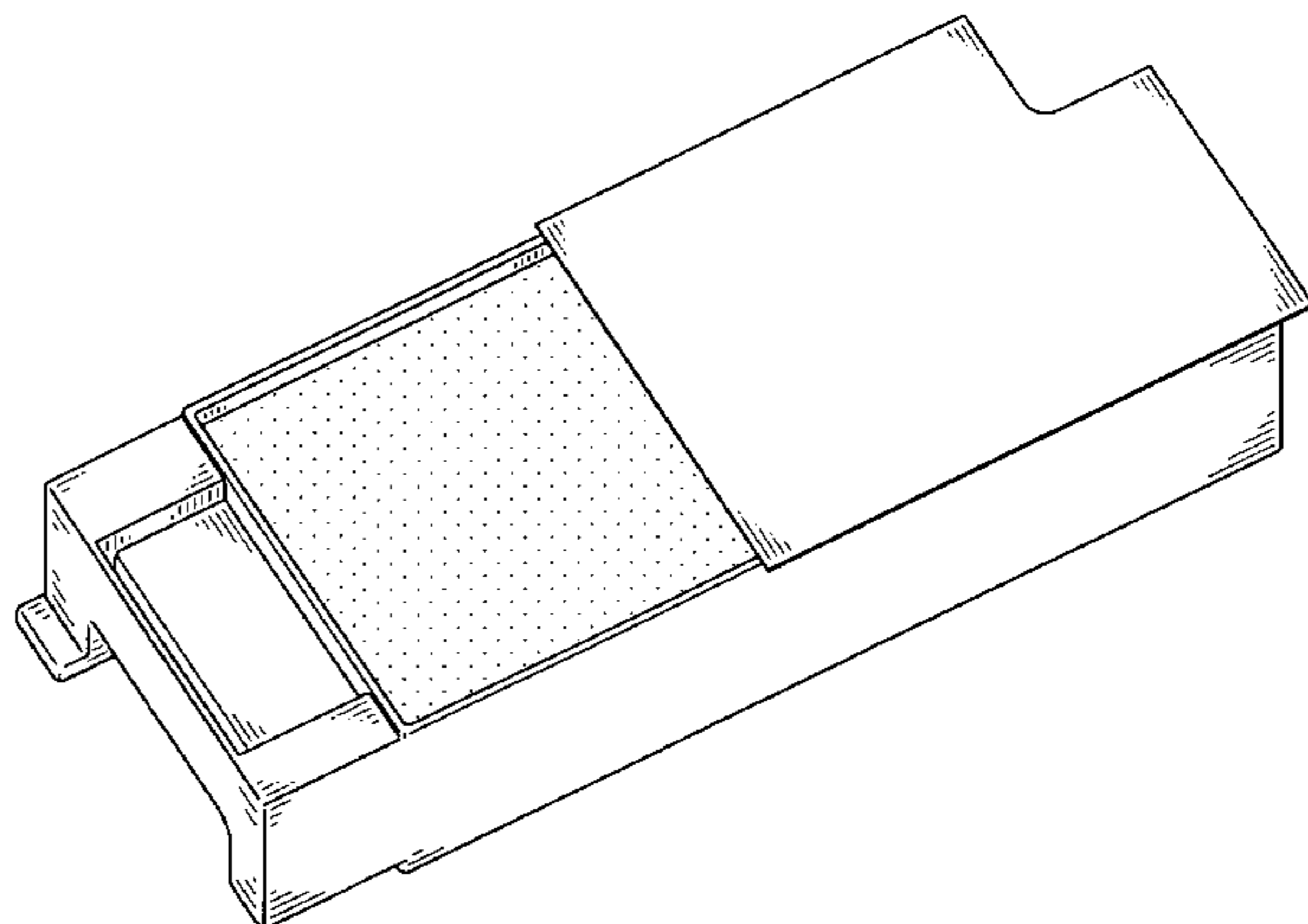
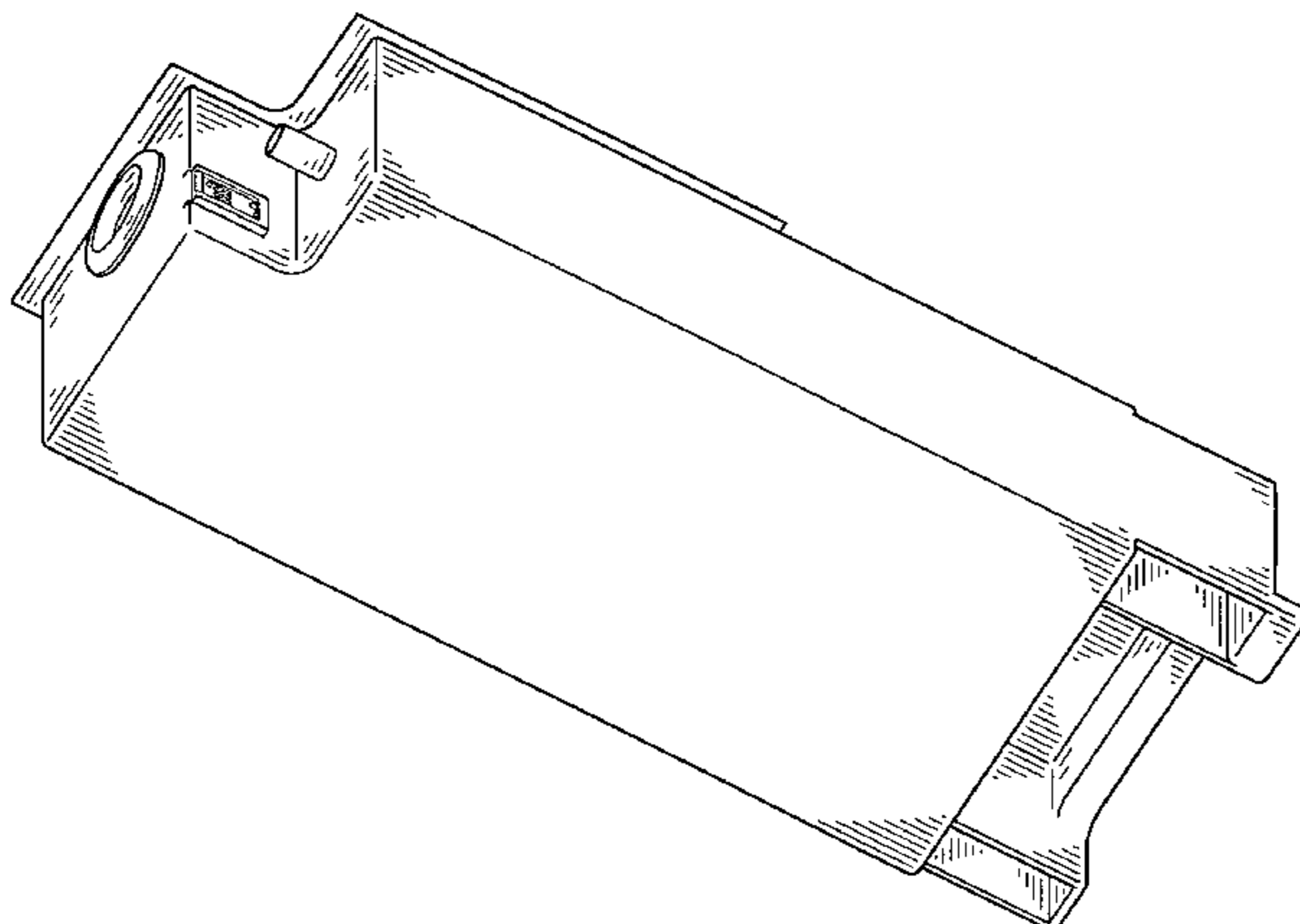
FIG. 6 is a rear view thereof;

FIG. 7 is a top view thereof; and,

FIG. 8 is a bottom view thereof.

The stippling represents a contrast of material or color.

1 Claim, 3 Drawing Sheets



US D614,696 S

Page 2

U.S. PATENT DOCUMENTS

D580,107 S	*	11/2008	Ishizawa et al.	D18/56	D600,278 S	*	9/2009	Hattori	D18/56
D584,351 S		1/2009	Nip		D603,895 S	*	11/2009	Hattori	D18/56
D584,768 S	*	1/2009	Ishizawa	D18/56	2005/0001888	A1*	1/2005	Seino et al.	347/86
D585,090 S	*	1/2009	Ishizawa	D18/56	2007/0132820	A1*	6/2007	Sato	347/86
D585,091 S	*	1/2009	Matsumoto	D18/56	2008/0024573	A1*	1/2008	Sugiyama et al.	347/86
D586,850 S		2/2009	Matsumoto		2008/0030558	A1*	2/2008	Seino et al.	347/86
D587,748 S		3/2009	Anderson et al.		2008/0094429	A1*	4/2008	Miyazawa et al.	347/7
D591,791 S		5/2009	Matsumoto		2008/0129805	A1*	6/2008	Yano	347/86
D598,050 S	*	8/2009	Nozawa	D18/56	2008/0158316	A1*	7/2008	Uchino	347/86

* cited by examiner

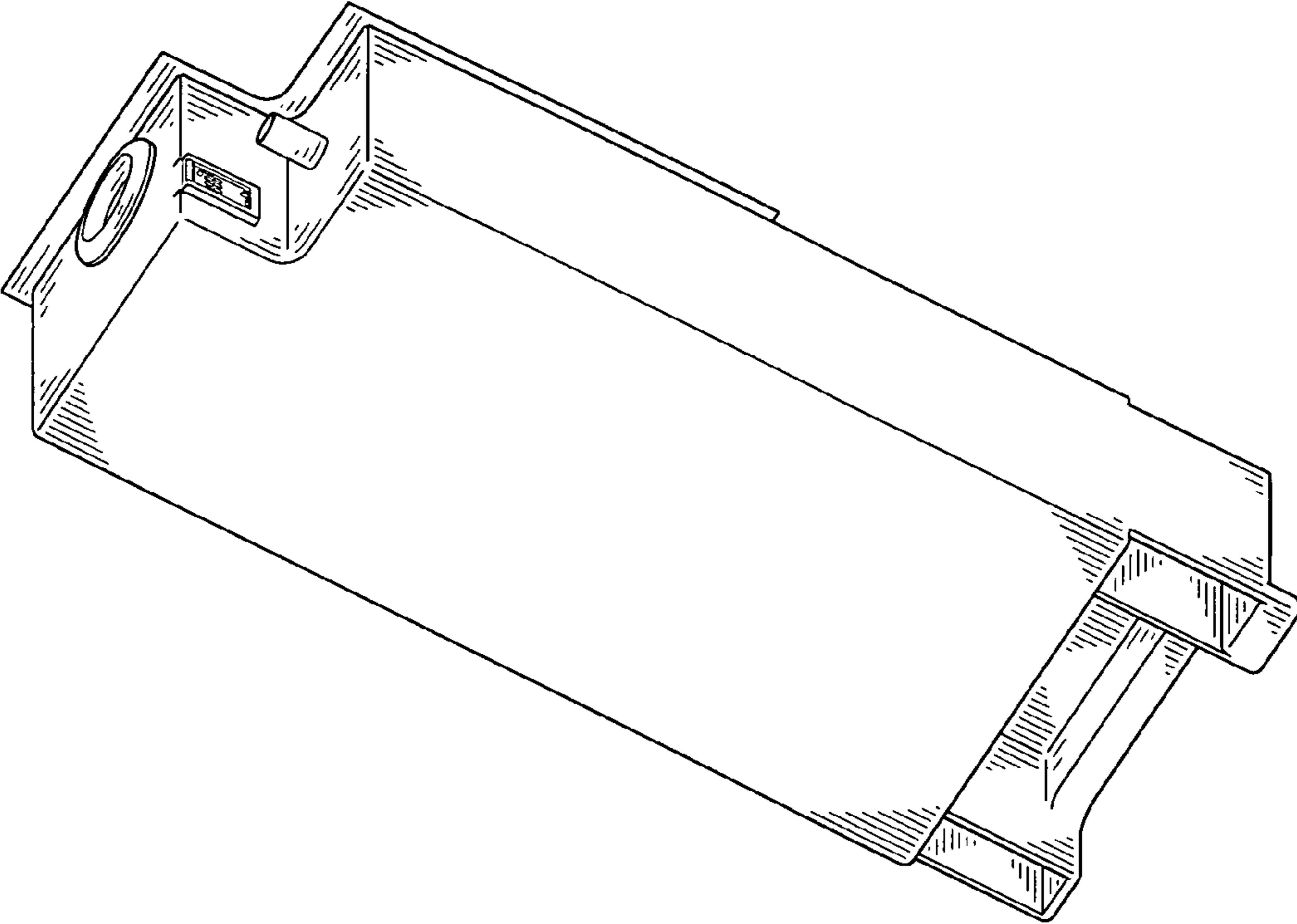


FIG. 1

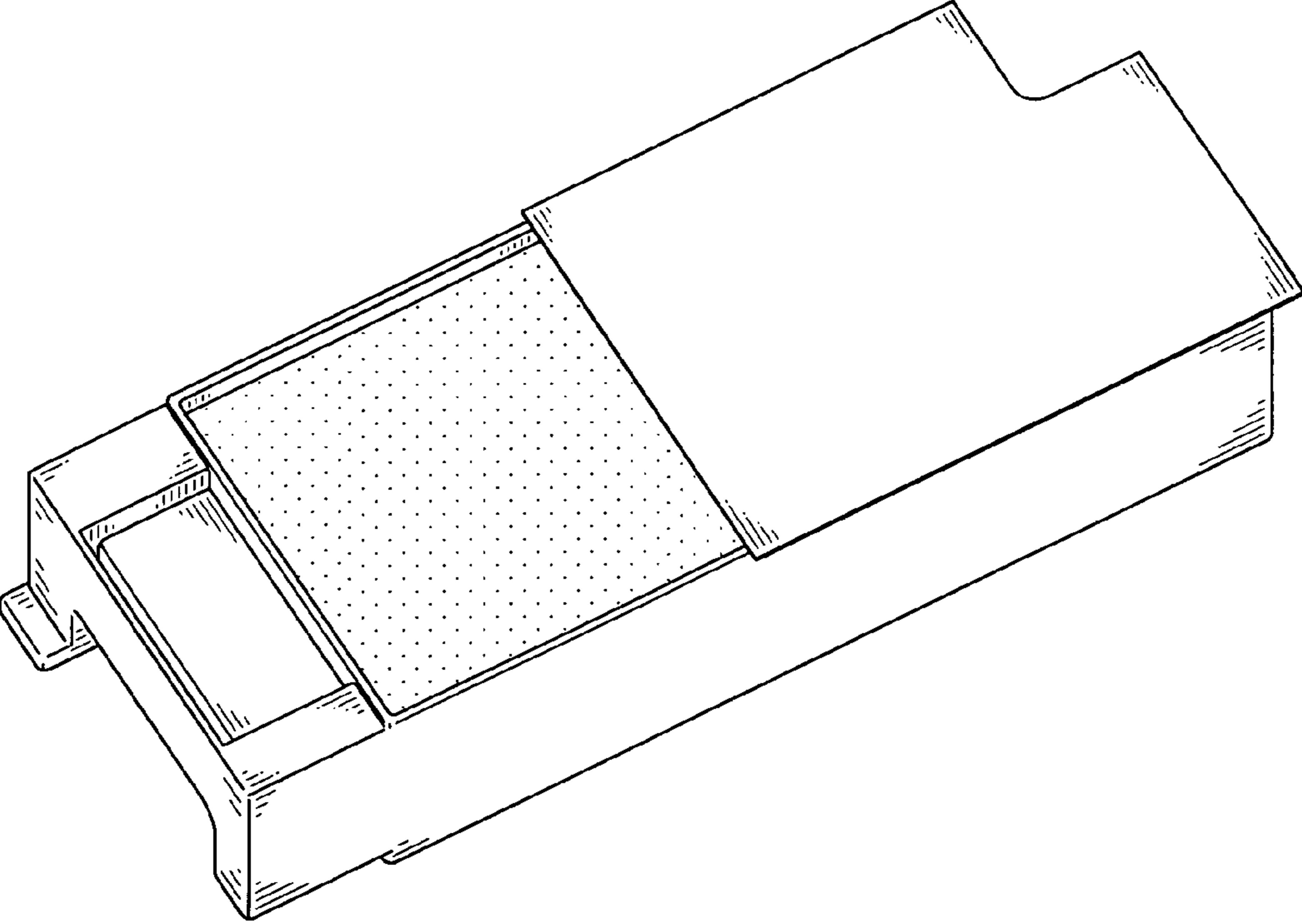


FIG. 2

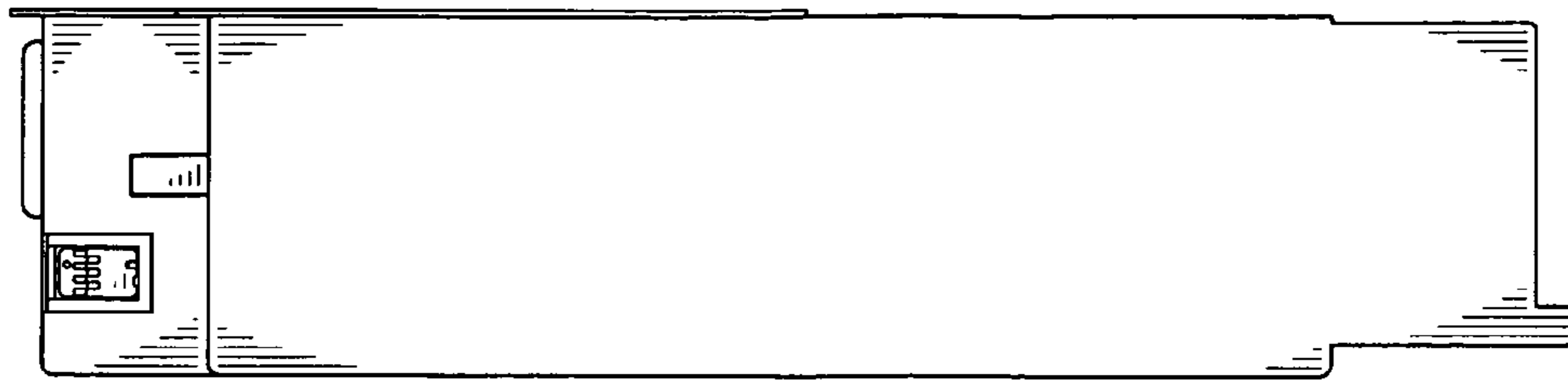


FIG. 3

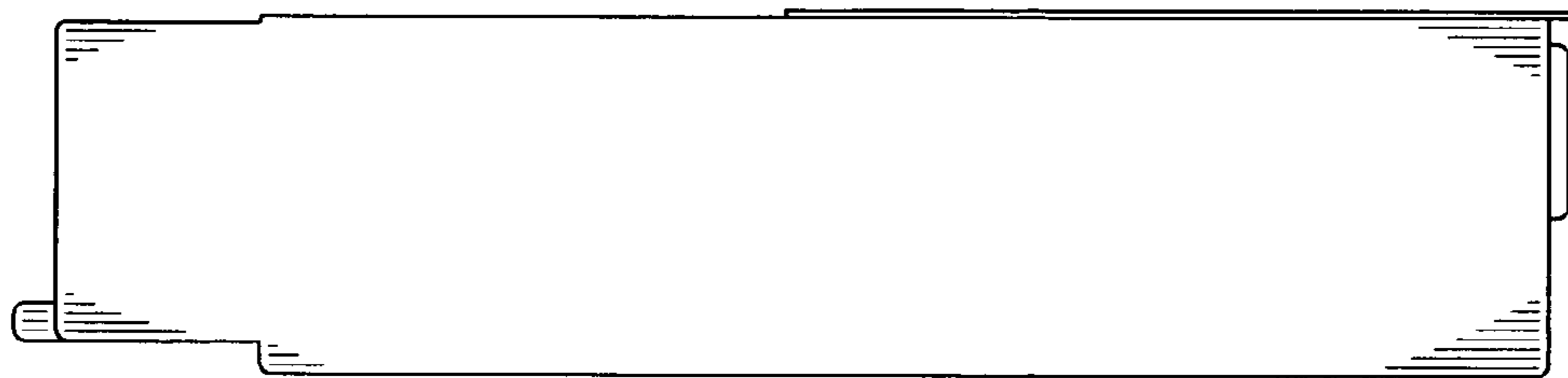


FIG. 4

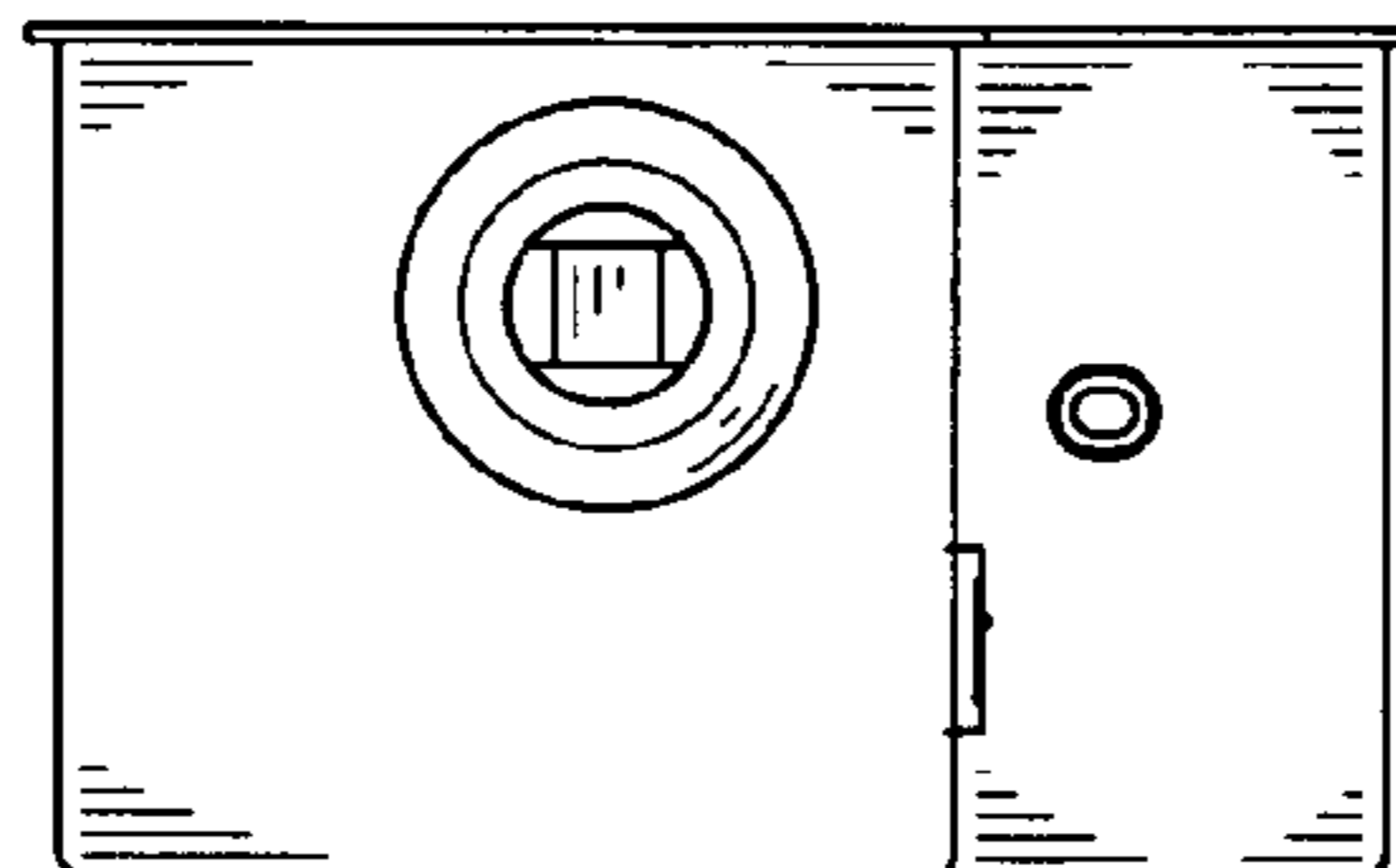


FIG. 5

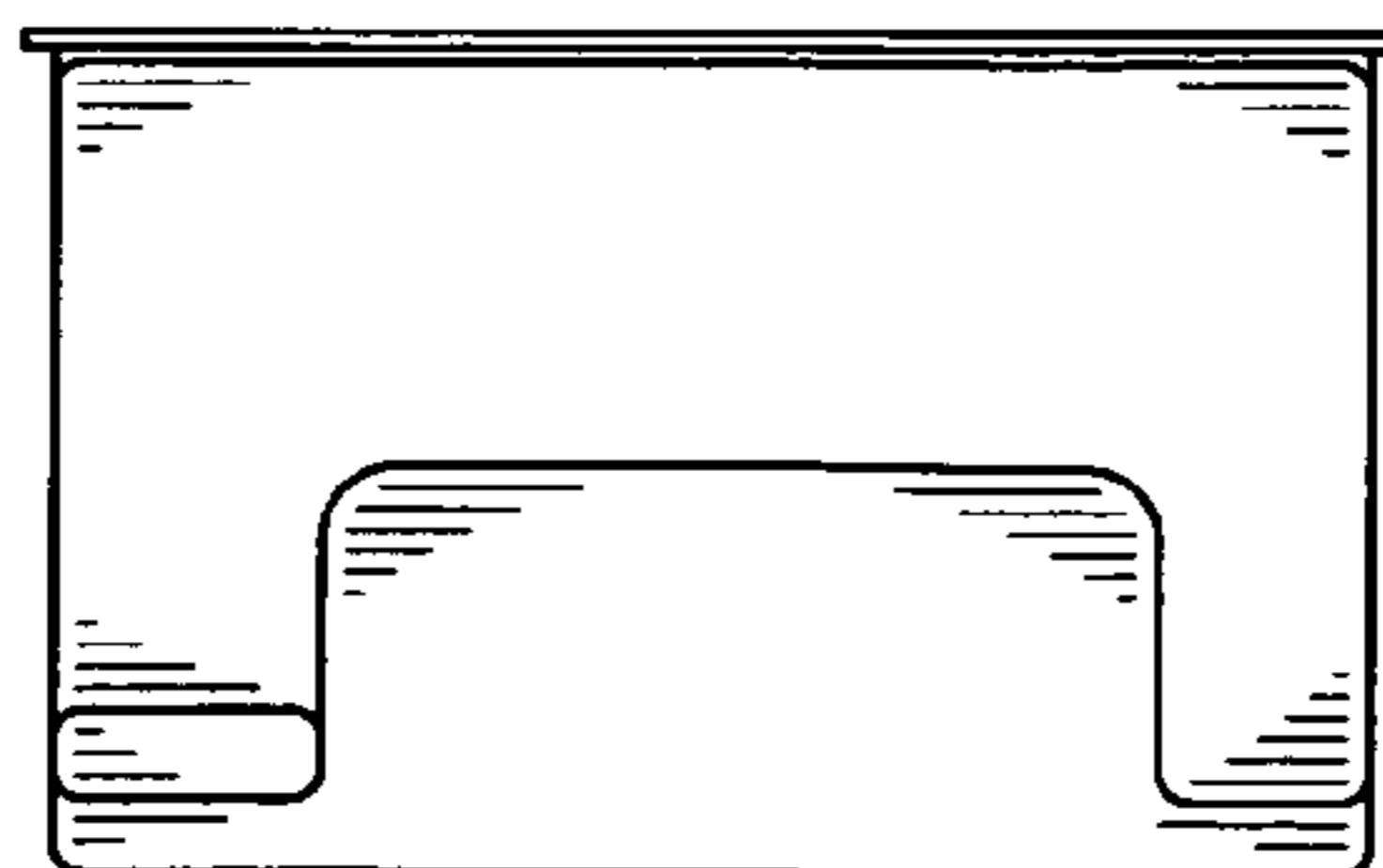


FIG. 6

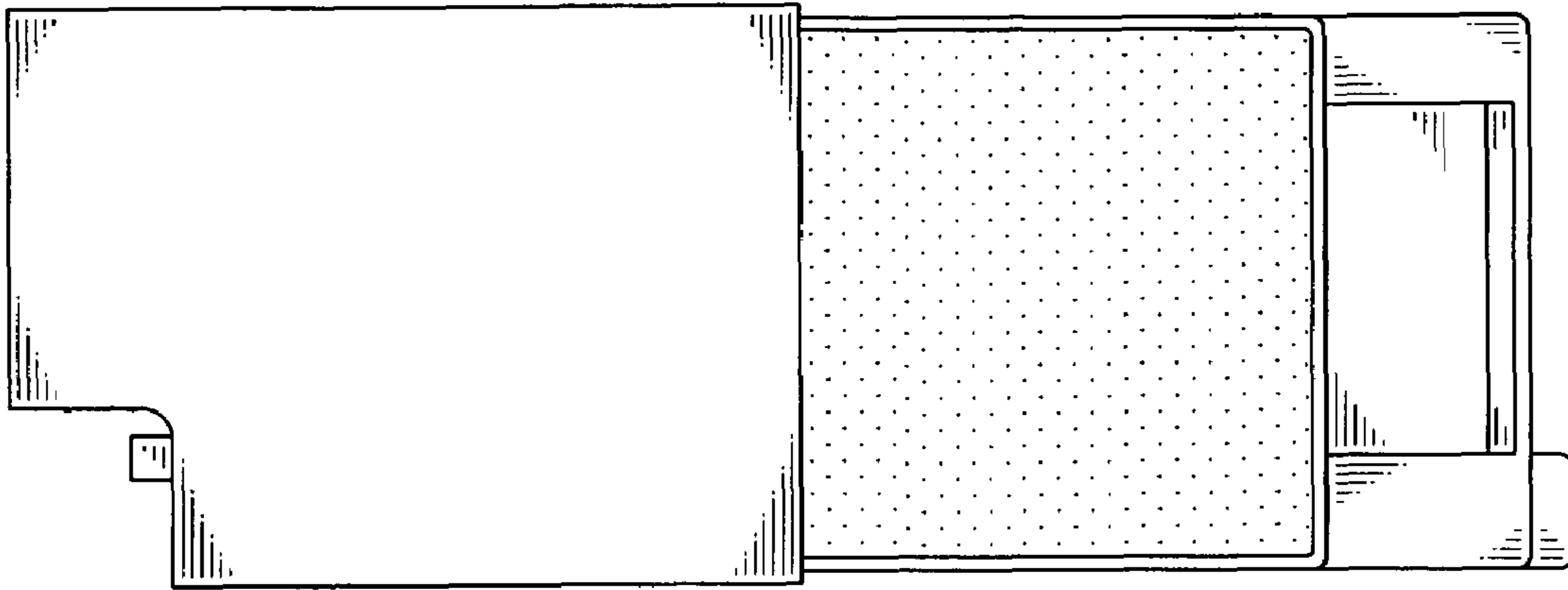


FIG. 7

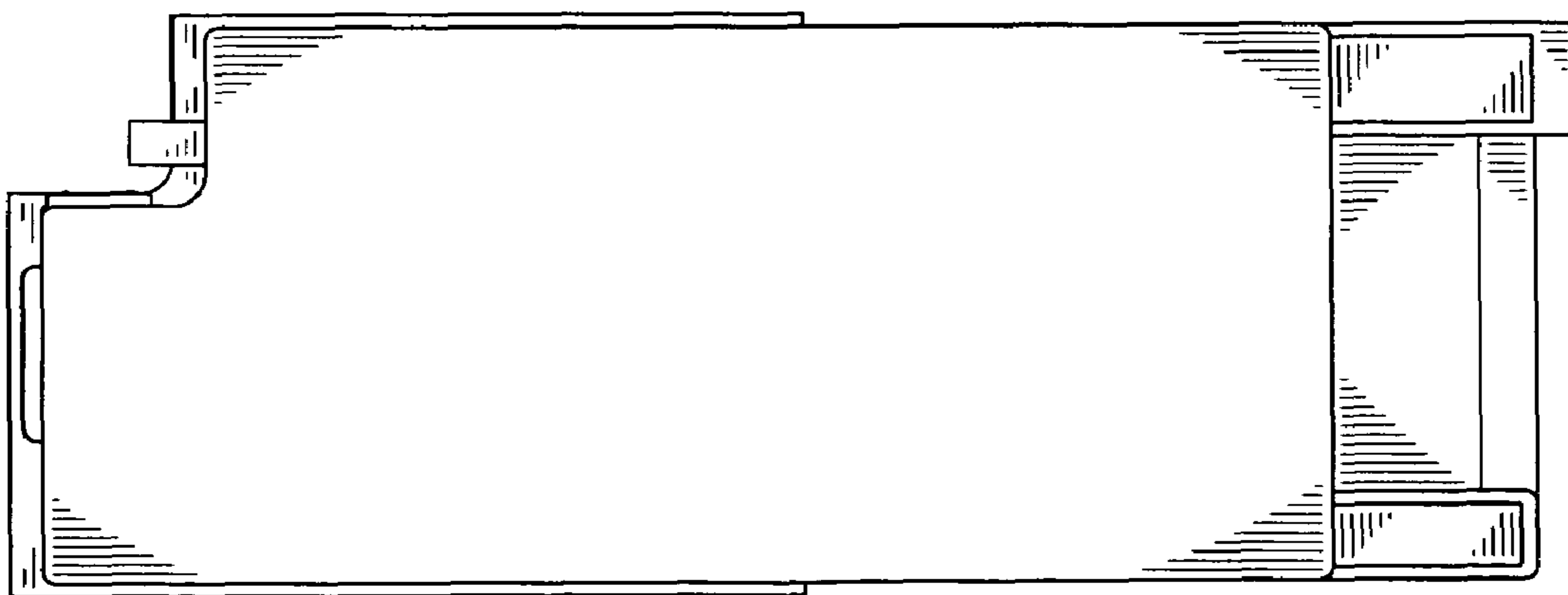


FIG. 8