



US00D614694S

(12) **United States Design Patent**
Nishizaka

(10) **Patent No.:** **US D614,694 S**

(45) **Date of Patent:** **** Apr. 27, 2010**

(54) **PLATEN UNIT FOR LABEL APPLICATION DEVICE**

EP	0852204	A1	7/1998
JP	56-131144	A	10/1981
JP	3-187827	A	8/1991

(75) Inventor: **Shintaro Nishizaka**, Tokyo (JP)

(73) Assignee: **Kabushiki Kaisha Sato** (JP)

(**) Term: **14 Years**

(21) Appl. No.: **29/303,226**

(22) Filed: **Feb. 4, 2008**

Related U.S. Application Data

(63) Continuation of application No. 11/405,821, filed on Apr. 18, 2006.

(51) **LOC (9) Cl.** **18-02**

(52) **U.S. Cl.** **D18/56; D18/19**

(58) **Field of Classification Search** D18/56,
D18/57, 50, 19; 101/21, 288; 400/512; 156/384
See application file for complete search history.

(56) **References Cited**

U.S. PATENT DOCUMENTS

4,191,608	A	3/1980	Bussard et al.	
4,325,302	A	4/1982	Beers	
5,655,450	A *	8/1997	Hermannn	101/288
D390,260	S *	2/1998	Akahane et al.	D18/56
D396,881	S *	8/1998	Therault et al.	D18/57
D425,556	S *	5/2000	Inoue et al.	D18/56
D447,769	S *	9/2001	McCone	D18/56
D473,895	S *	4/2003	Yan	D18/56
D517,600	S *	3/2006	Lui	D18/56
D527,420	S *	8/2006	Okuchi et al.	D18/56

FOREIGN PATENT DOCUMENTS

DE 3440000 A1 5/1986

OTHER PUBLICATIONS

International Search Report for counterpart International Application PCT/IB/2006/003962, filed Apr. 18, 2006 and mailed Dec. 9, 2008, with Notification of Transmittal of the International Search Report and the Written Opinion of the International Searching Authority (11 pages total).

Notification Concerning Transmittal of Copy of International Preliminary Report on Patentability, International Preliminary Report on Patentability, and Written Opinion of the International Searching Authority (6 pages total) in counterpart International Application PCT/IB2006/003962, filed Apr. 18, 2006, mailed Jan. 22, 2009.

* cited by examiner

Primary Examiner—Charles A Rademaker

(74) *Attorney, Agent, or Firm*—Ostrolenk Faber LLP

(57) **CLAIM**

The ornamental design for a platen unit for label application device, as shown and described.

DESCRIPTION

FIG. 1 is a top perspective view of a platen unit for a label application device showing my new design;

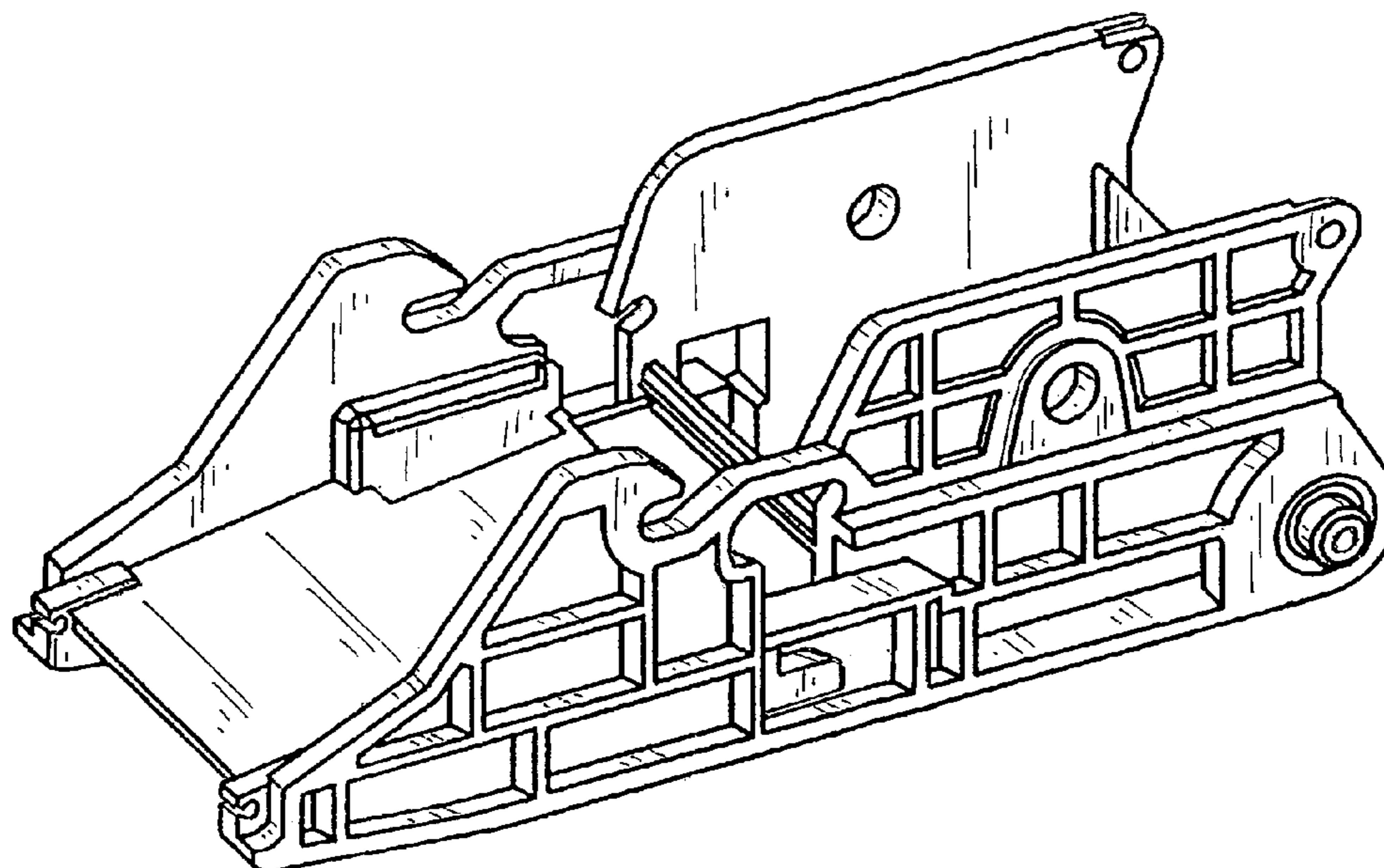
FIG. 2 is a side view thereof, the opposite side being a mirror image;

FIG. 3 is a top view thereof; and,

FIG. 4 is a top perspective view from the opposite side.

The bottom and the rear of the platen unit are not illustrated in the drawing and form no part of the claimed design.

1 Claim, 3 Drawing Sheets



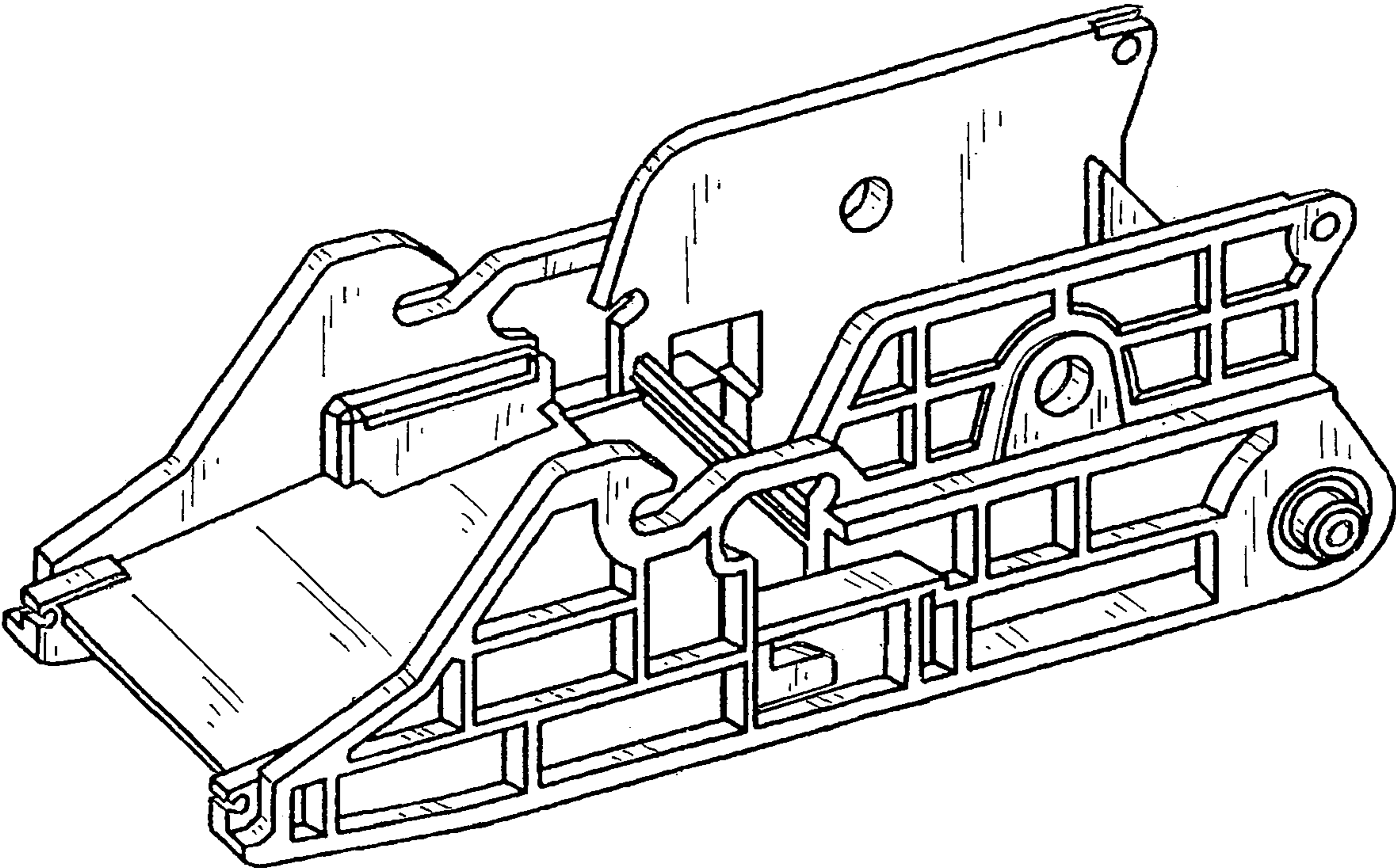


Fig.1

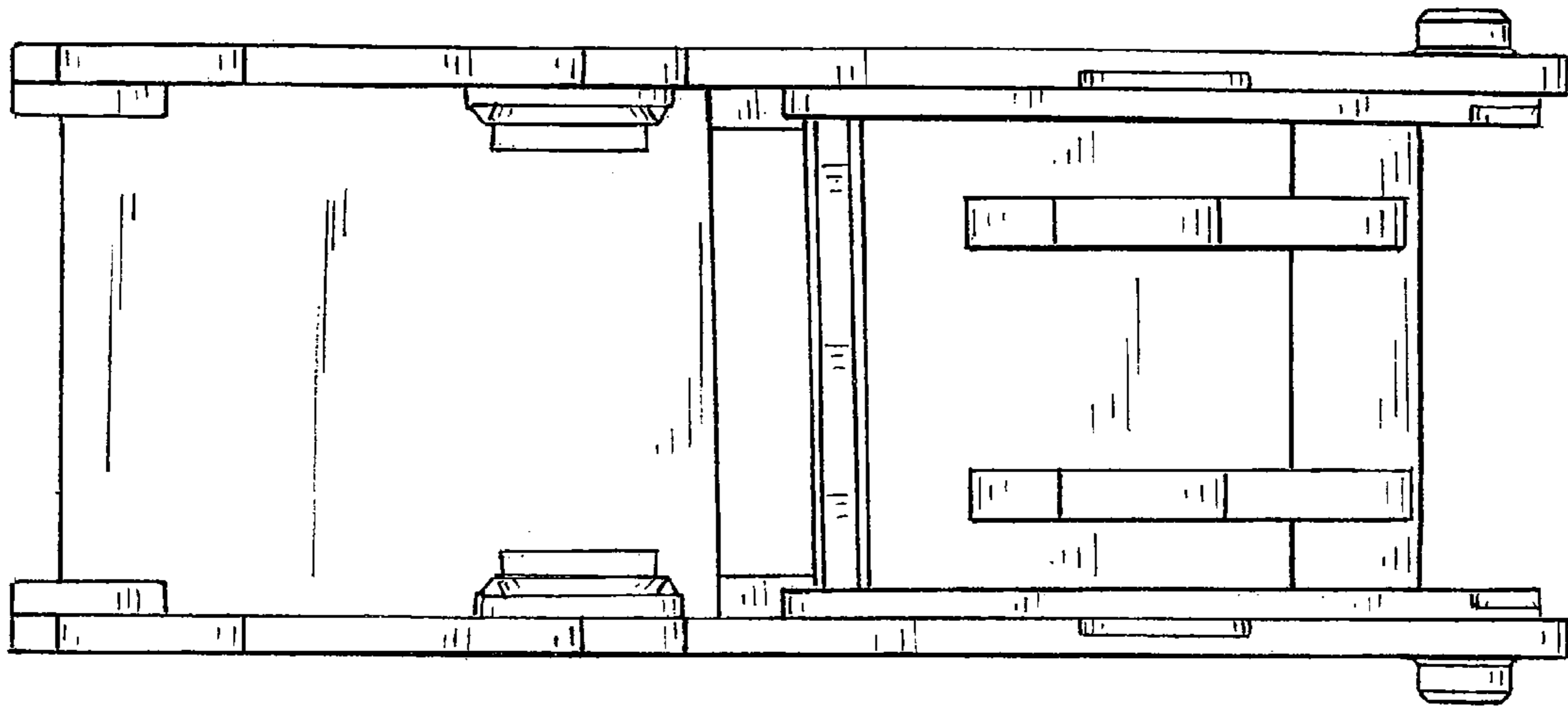


Fig.3

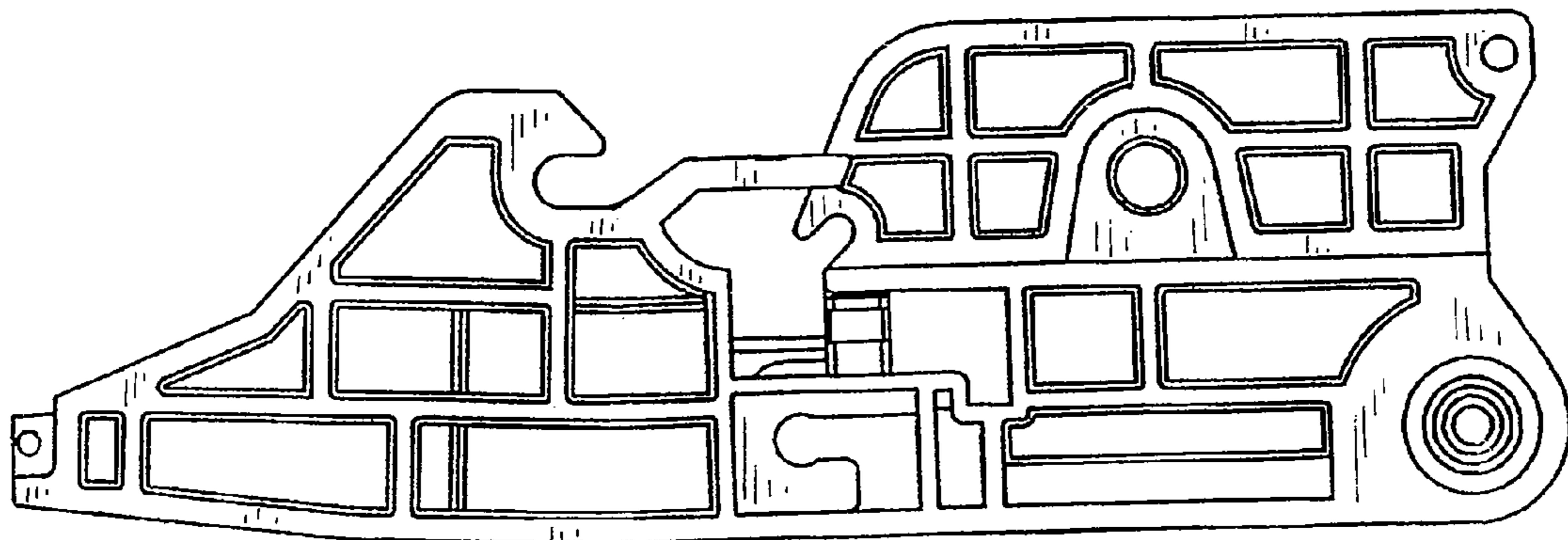


Fig.2

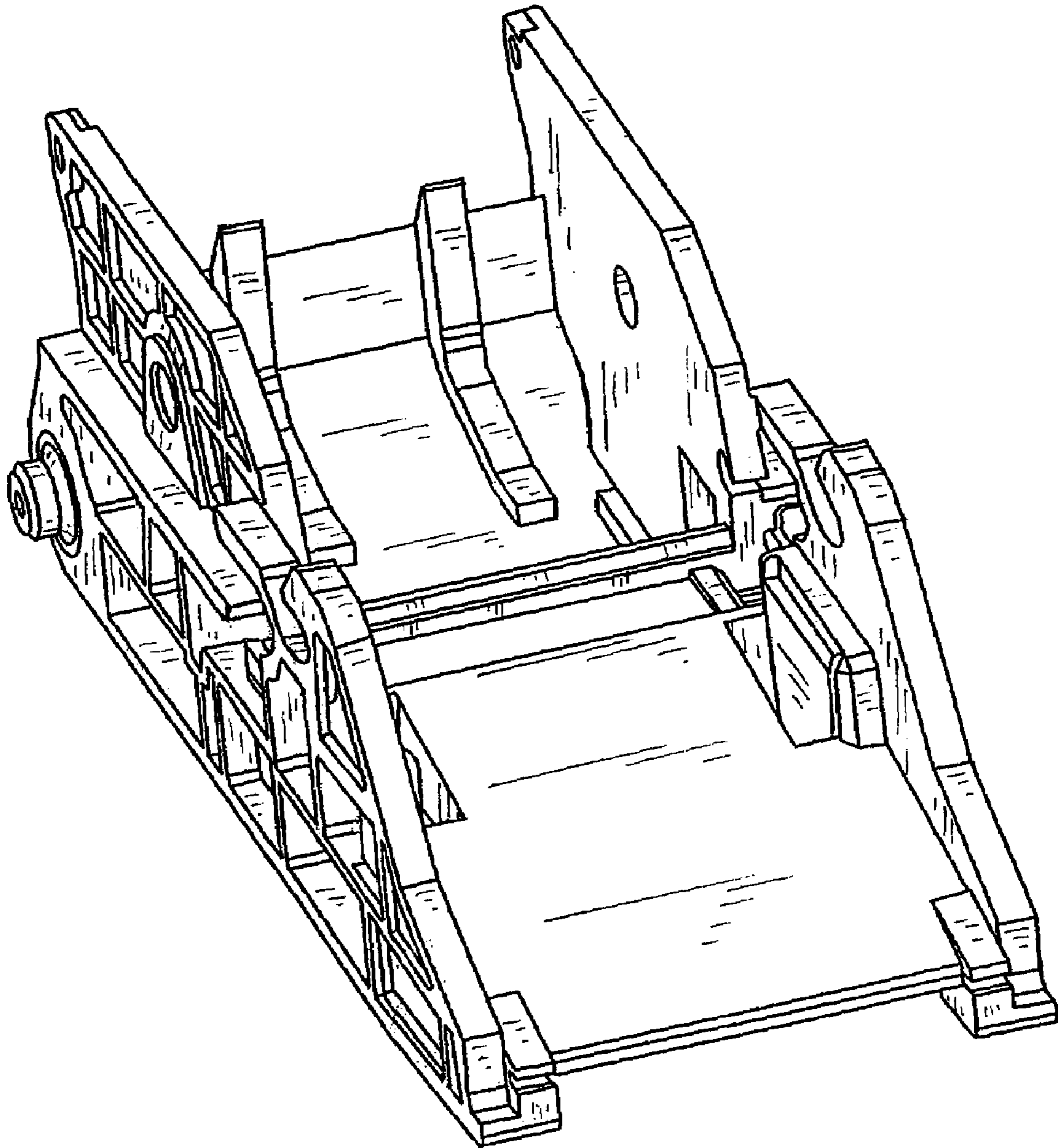


Fig.4