



US00D614693S

(12) **United States Design Patent**
Kato et al.

(10) **Patent No.:** **US D614,693 S**
(45) **Date of Patent:** **** Apr. 27, 2010**

(54) **MULTI FUNCTION PRINTER**

(75) Inventors: **Hideki Kato**, Matsumoto (JP); **Mugio Kawasaki**, Suwa (JP); **Manabu Kawahara**, Matsumoto (JP); **Kenji Yanagisawa**, Azumino (JP); **Kenji Oshima**, Shiojiri (JP)

(73) Assignee: **Seiko Epson Corporation** (JP)

(**) Term: **14 Years**

(21) Appl. No.: **29/312,235**

(22) Filed: **Oct. 7, 2008**

(30) **Foreign Application Priority Data**

Jul. 10, 2008 (JP) 2008-017771

(51) **LOC (9) Cl.** **14-02**

(52) **U.S. Cl.** **D18/50**

(58) **Field of Classification Search** D18/36-37,
D18/50, 54, 54.1, 55, 19; D14/420-425,
D14/463-470; 400/613, 613.1-613.4, 690.1-690.4,
400/691-694
See application file for complete search history.

(56) **References Cited**

U.S. PATENT DOCUMENTS

D315,338 S	3/1991	Yoshihara	
D315,574 S	3/1991	Komada et al.	
D340,708 S *	10/1993	Ishibashi et al. D14/135
D340,721 S	10/1993	Hirose et al.	
D362,456 S	9/1995	Ishibashi et al.	
D389,468 S *	1/1998	Chang et al. D14/425
D436,369 S	1/2001	Sasaki et al.	
D453,181 S	1/2002	Shimamura	
D520,558 S	5/2006	Matsumoto et al.	
D522,047 S	5/2006	Ko et al.	
D528,154 S	9/2006	Hattori	

D528,155 S	9/2006	Katayama	
D528,595 S	9/2006	Hattori	
D531,175 S *	10/2006	Moskaluk et al. D14/421
D532,042 S	11/2006	Gant	
D532,450 S *	11/2006	Smith et al. D18/55
D533,218 S *	12/2006	Gant et al. D18/55
D536,373 S	2/2007	Inoue et al.	
D550,768 S	9/2007	Hoshiya et al.	
D552,167 S	10/2007	Lee et al.	
D555,194 S *	11/2007	Smith et al. D18/55
D556,256 S	11/2007	Matsumoto	
D556,257 S	11/2007	Yamaguchi	
D561,250 S *	2/2008	Smith et al. D18/55
D561,251 S *	2/2008	Tjin Wong Joe et al. D18/55
D573,179 S	7/2008	Bae et al.	
D573,633 S *	7/2008	Laidlaw et al. D18/55
D581,976 S	12/2008	Park et al.	
D586,384 S *	2/2009	Yamaguchi et al. D18/55

* cited by examiner

Primary Examiner—Cathy Anne MacCormac

(74) *Attorney, Agent, or Firm*—Harness, Dickey & Pierce, P.L.C.

(57) **CLAIM**

The ornamental design for a multi function printer, as shown and described.

DESCRIPTION

FIG. 1 is a top, front and right side perspective view of a multi function printer embodying our new design;

FIG. 2 is a front view thereof;

FIG. 3 is a rear view thereof;

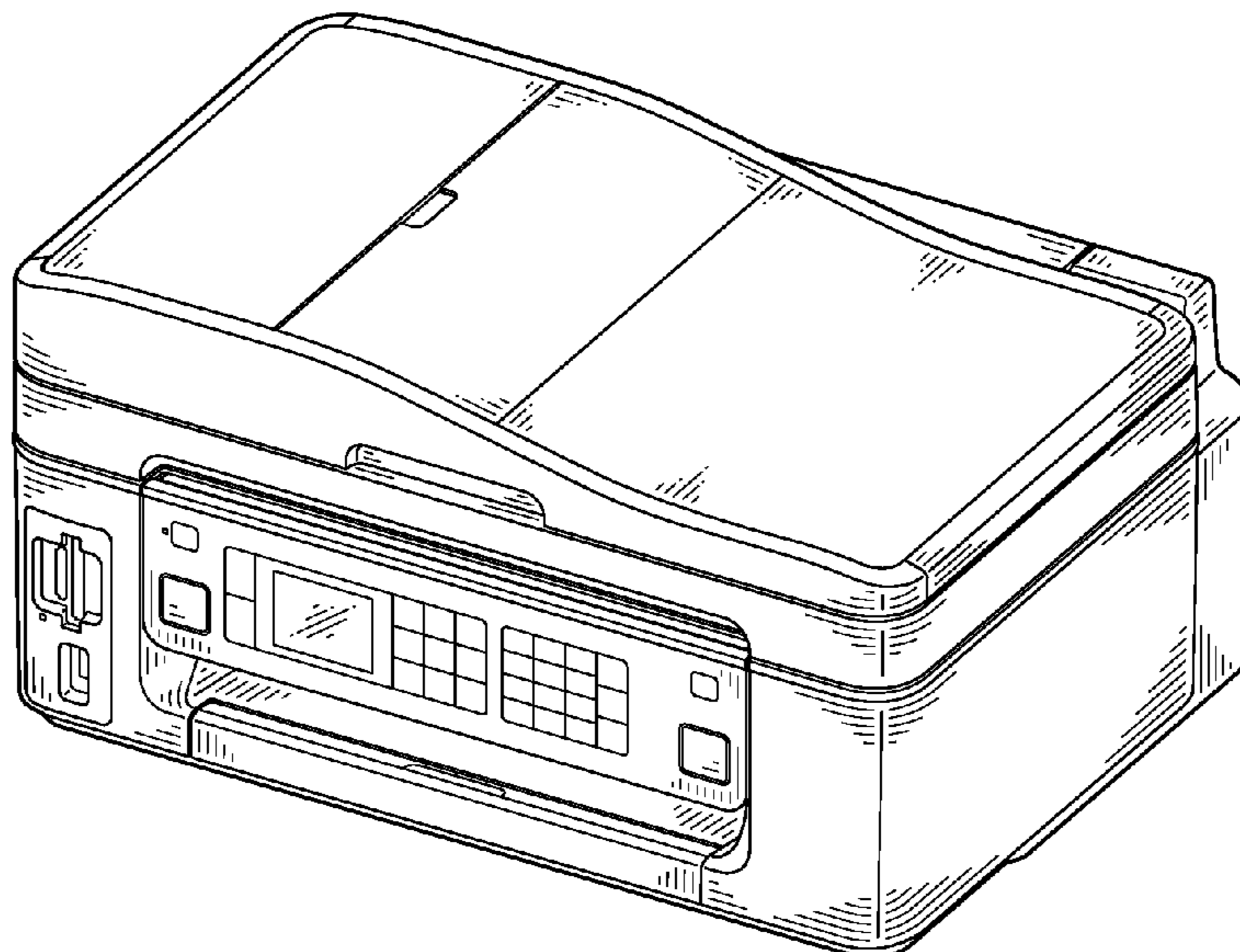
FIG. 4 is a left side view thereof;

FIG. 5 is a right side view thereof;

FIG. 6 is a top view thereof; and,

FIG. 7 is a bottom view thereof.

1 Claim, 4 Drawing Sheets



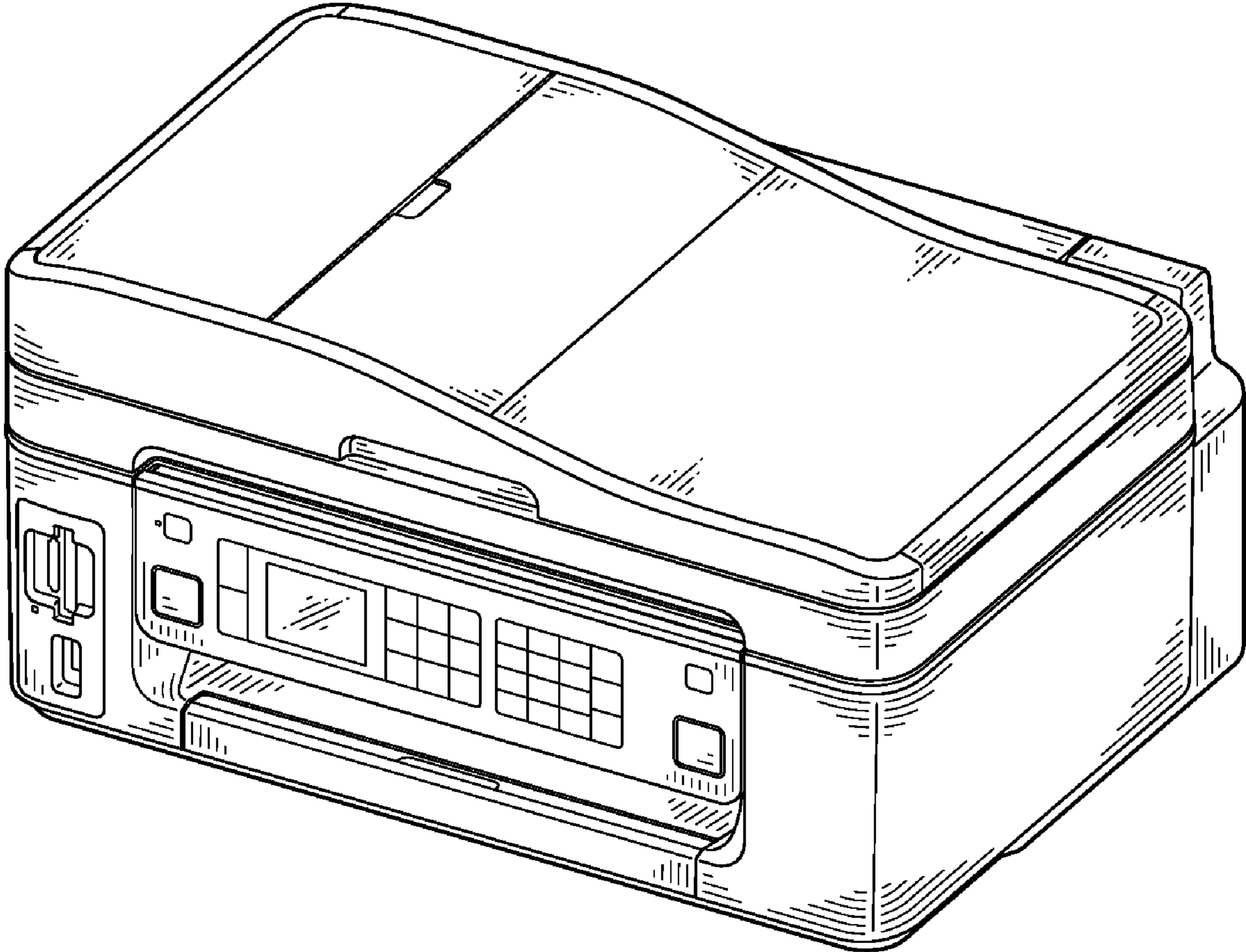


FIG. 1

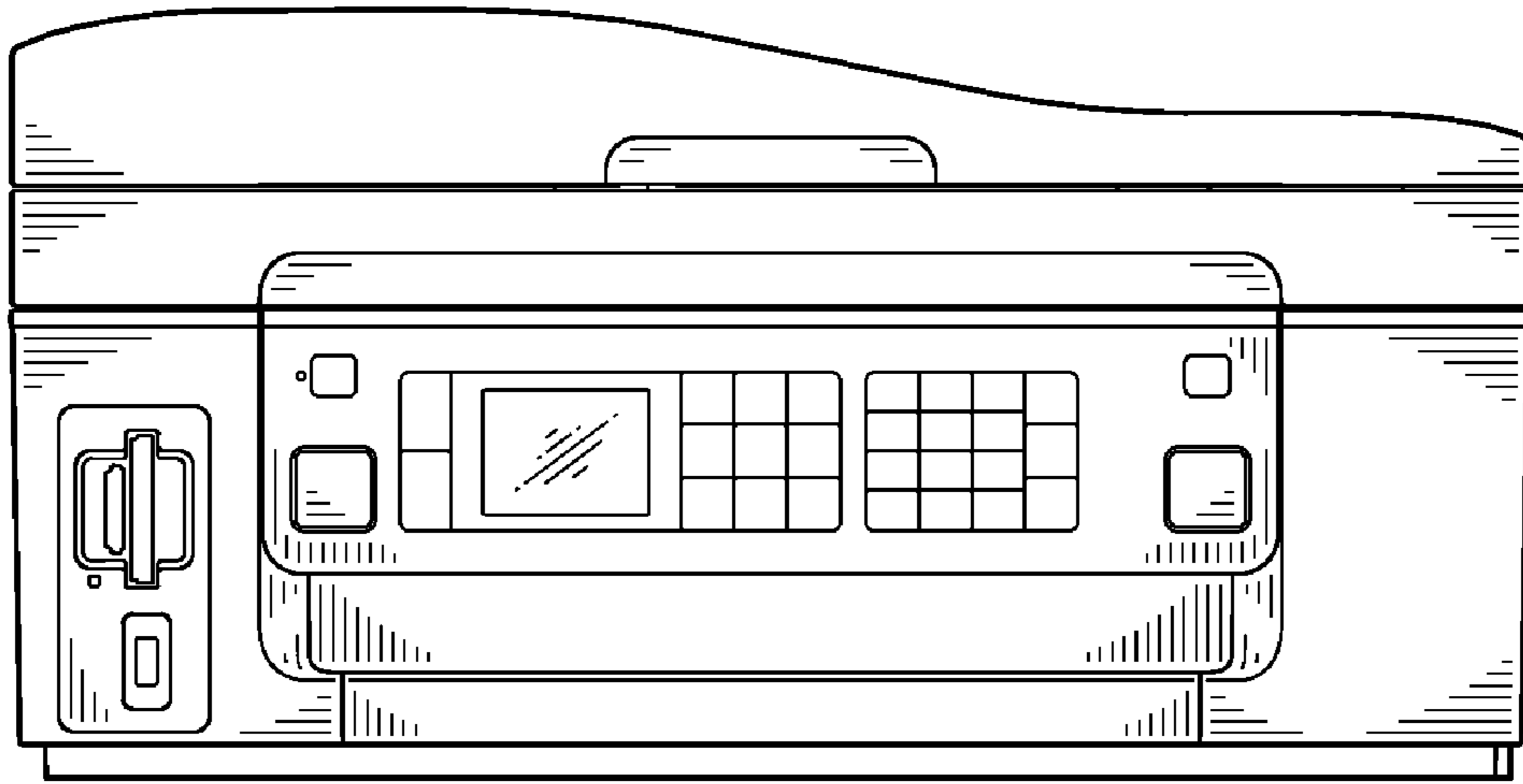


FIG. 2

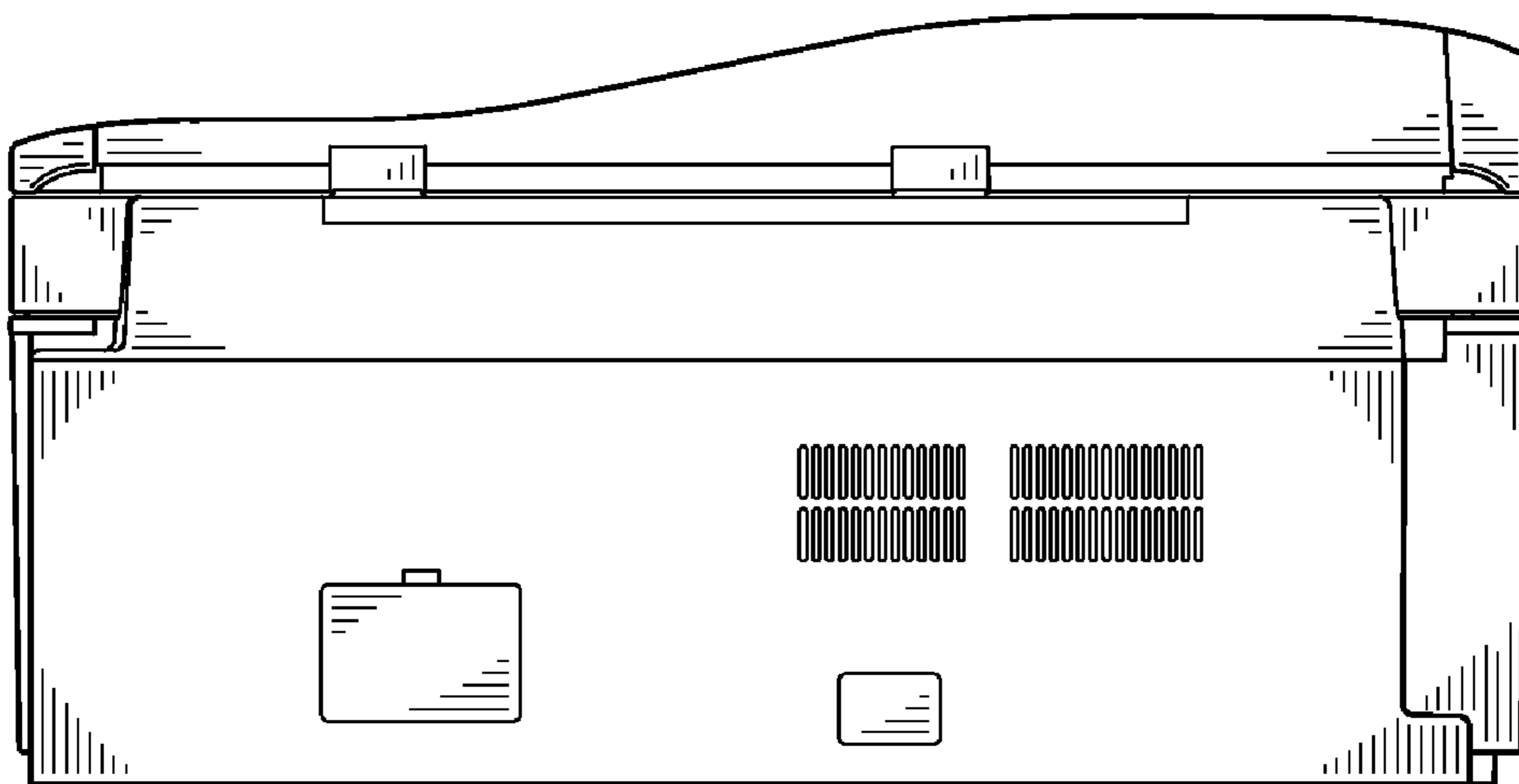


FIG. 3

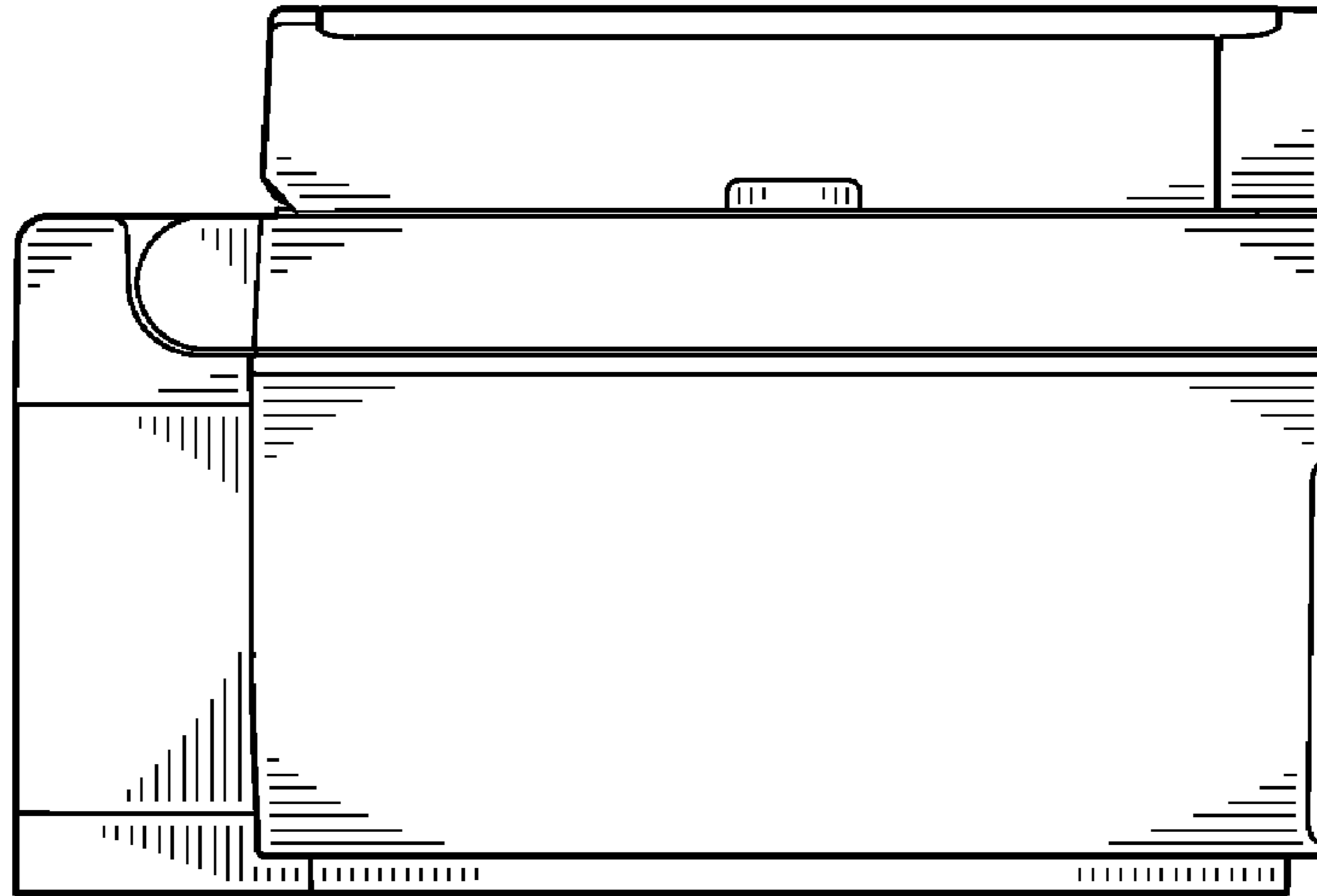


FIG. 4

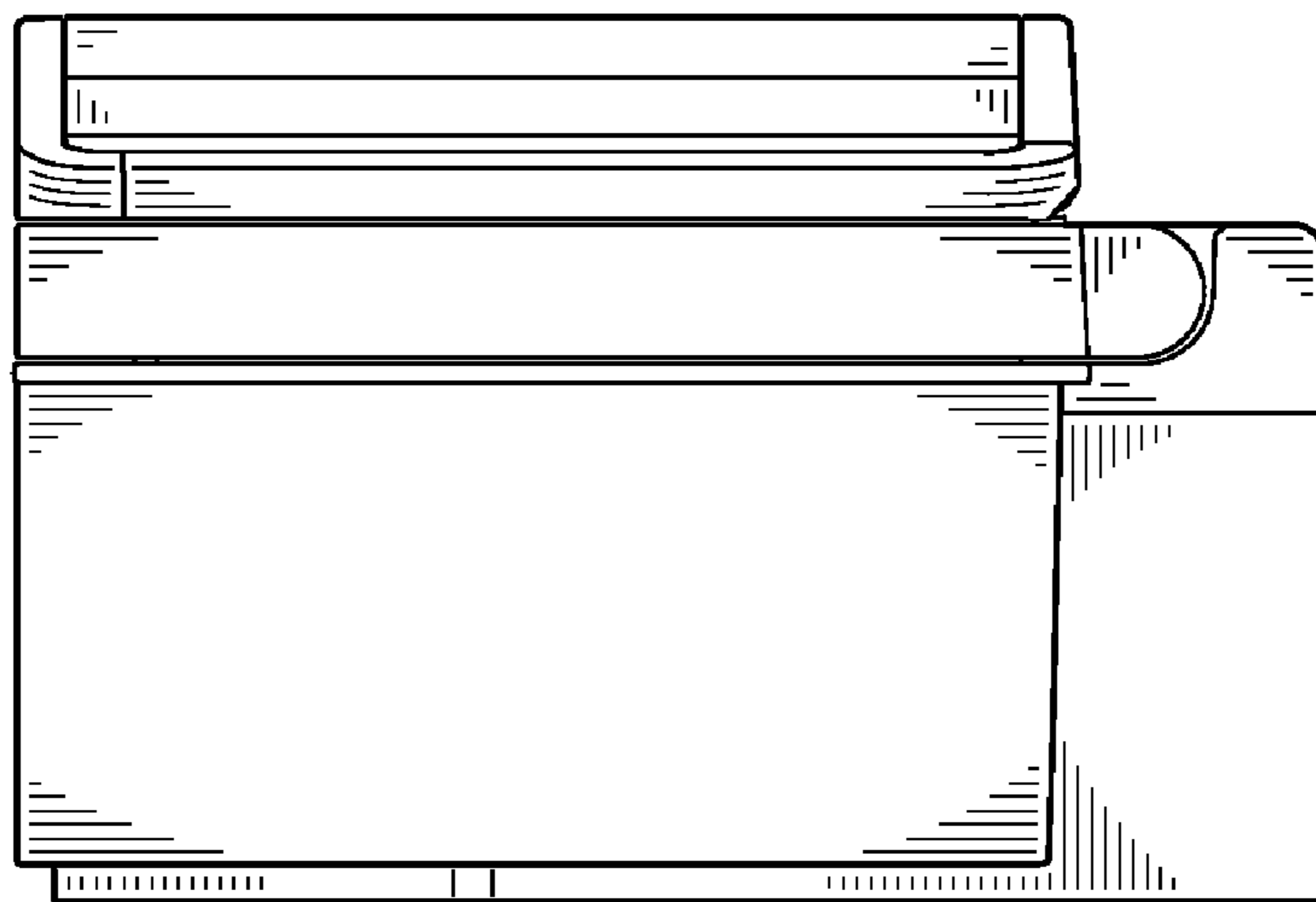


FIG. 5

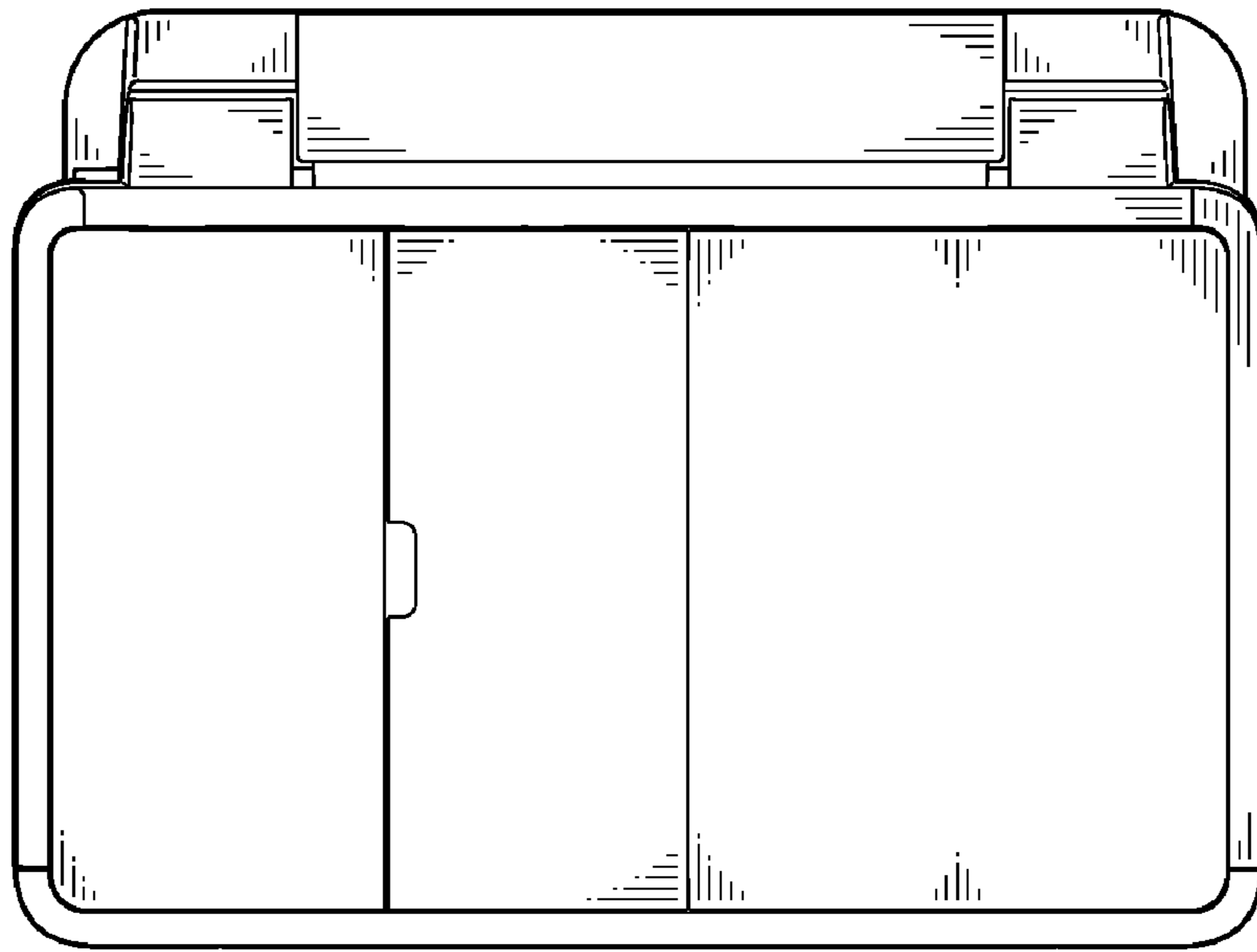


FIG. 6

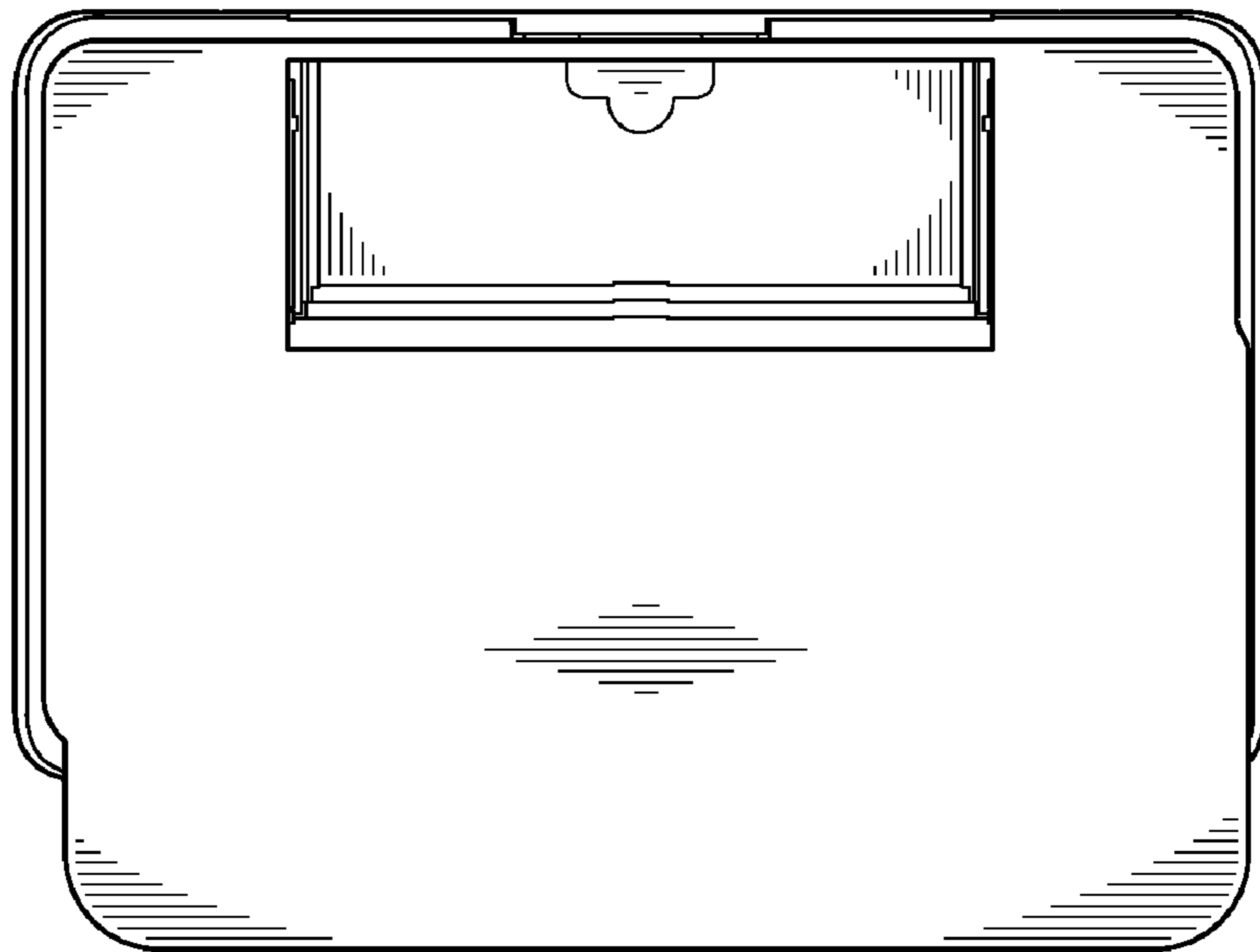


FIG. 7