



US00D614692S

(12) **United States Design Patent**  
**Kanno et al.**

(10) **Patent No.:** **US D614,692 S**

(45) **Date of Patent:** **\*\* Apr. 27, 2010**

(54) **PRINTER**

(75) Inventors: **Ryuta Kanno**, Tokyo (JP); **Hidefumi Goto**, Tokyo (JP)

(73) Assignee: **Sony Corporation**, Tokyo (JP)

(\*\*) Term: **14 Years**

(21) Appl. No.: **29/287,280**

(22) Filed: **Jul. 19, 2007**

(30) **Foreign Application Priority Data**

Feb. 22, 2007 (JP) ..... D2007-004375

(51) **LOC (9) Cl.** ..... **18-02**

(52) **U.S. Cl.** ..... **D18/50**

(58) **Field of Classification Search** ..... D18/36-39,  
D18/50, 54, 54.1, 55; D14/421-425, 462-470;  
400/613, 613.1-613.4, 690.1-690.4, 691-694  
See application file for complete search history.

(56) **References Cited**

U.S. PATENT DOCUMENTS

- D304,181 S \* 10/1989 Kagayama et al. .... D14/424
- 4,956,665 A \* 9/1990 Niles ..... D18/50
- D315,905 S \* 4/1991 Ito et al. .... D14/156
- D318,654 S \* 7/1991 Huang ..... D14/425
- D328,290 S \* 7/1992 Tanaka ..... D14/425
- D342,492 S \* 12/1993 Wang ..... D14/420
- D350,733 S \* 9/1994 Masujima ..... D14/425

- D351,378 S \* 10/1994 Nakazawa et al. .... D14/424
- D368,255 S \* 3/1996 Sasaki et al. .... D14/420
- D398,922 S 9/1998 Hisatsune et al.
- D414,183 S 9/1999 Honjo
- D430,131 S 8/2000 Yasutomi et al.
- D442,963 S \* 5/2001 Salazar et al. .... D14/420
- D454,128 S \* 3/2002 Yamano et al. .... D14/420
- D467,511 S 12/2002 Kitamura et al.
- D478,085 S \* 8/2003 Khovaylo et al. .... D14/425
- D573,179 S \* 7/2008 Bae et al. .... D18/50

\* cited by examiner

*Primary Examiner*—Cathy Anne MacCormac

(74) *Attorney, Agent, or Firm*—Rader, Fishman & Grauer, PLLC

(57) **CLAIM**

The ornamental design for a printer, as shown.

**DESCRIPTION**

FIG. 1 is a perspective view of a printer showing our new design;

FIG. 2 is a front elevational view thereof;

FIG. 3 is a rear elevation view thereof;

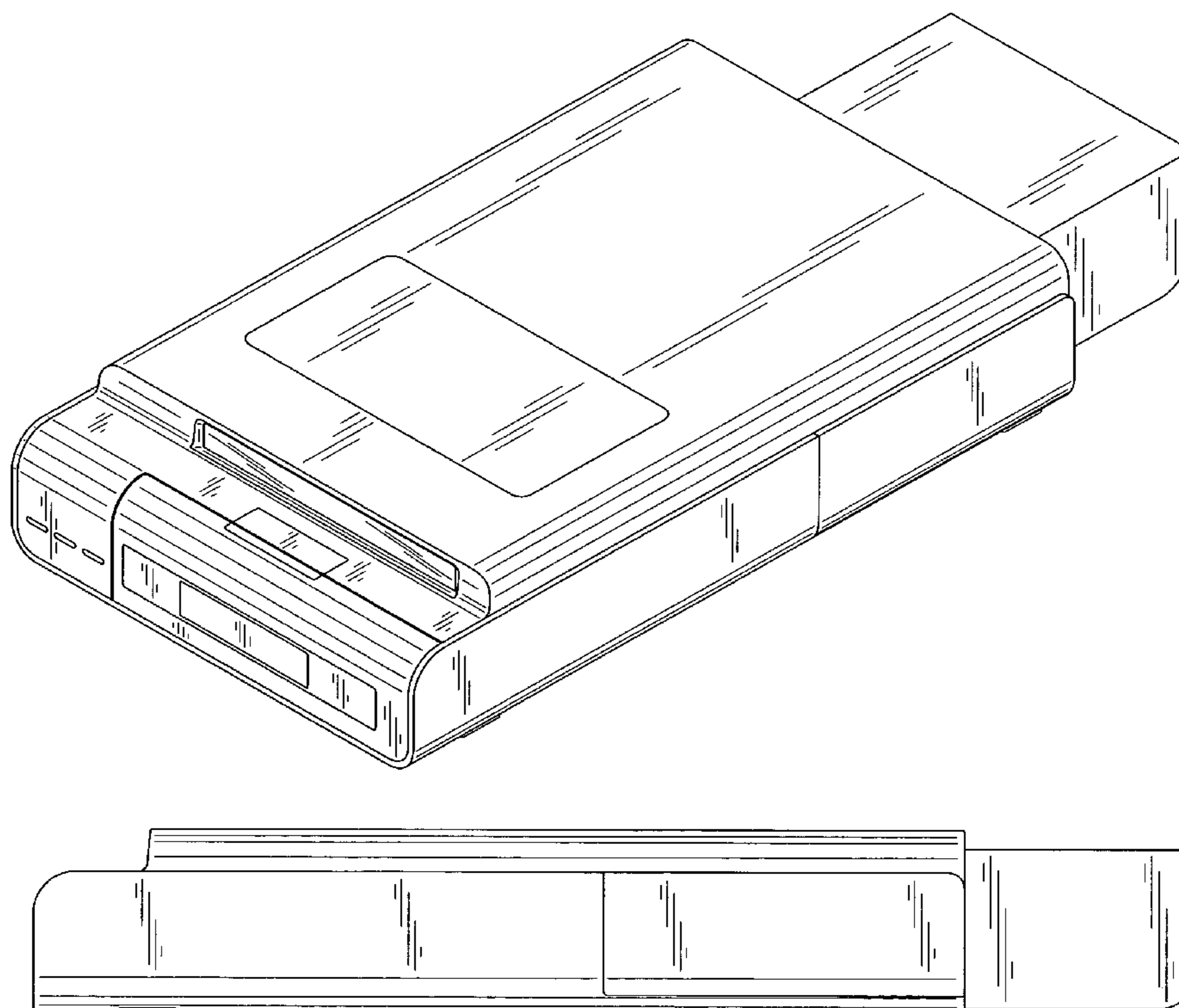
FIG. 4 is a left side elevational view thereof;

FIG. 5 is a right side elevational view thereof;

FIG. 6 is a top plan view thereof; and,

FIG. 7 is a bottom plan view thereof.

**1 Claim, 7 Drawing Sheets**



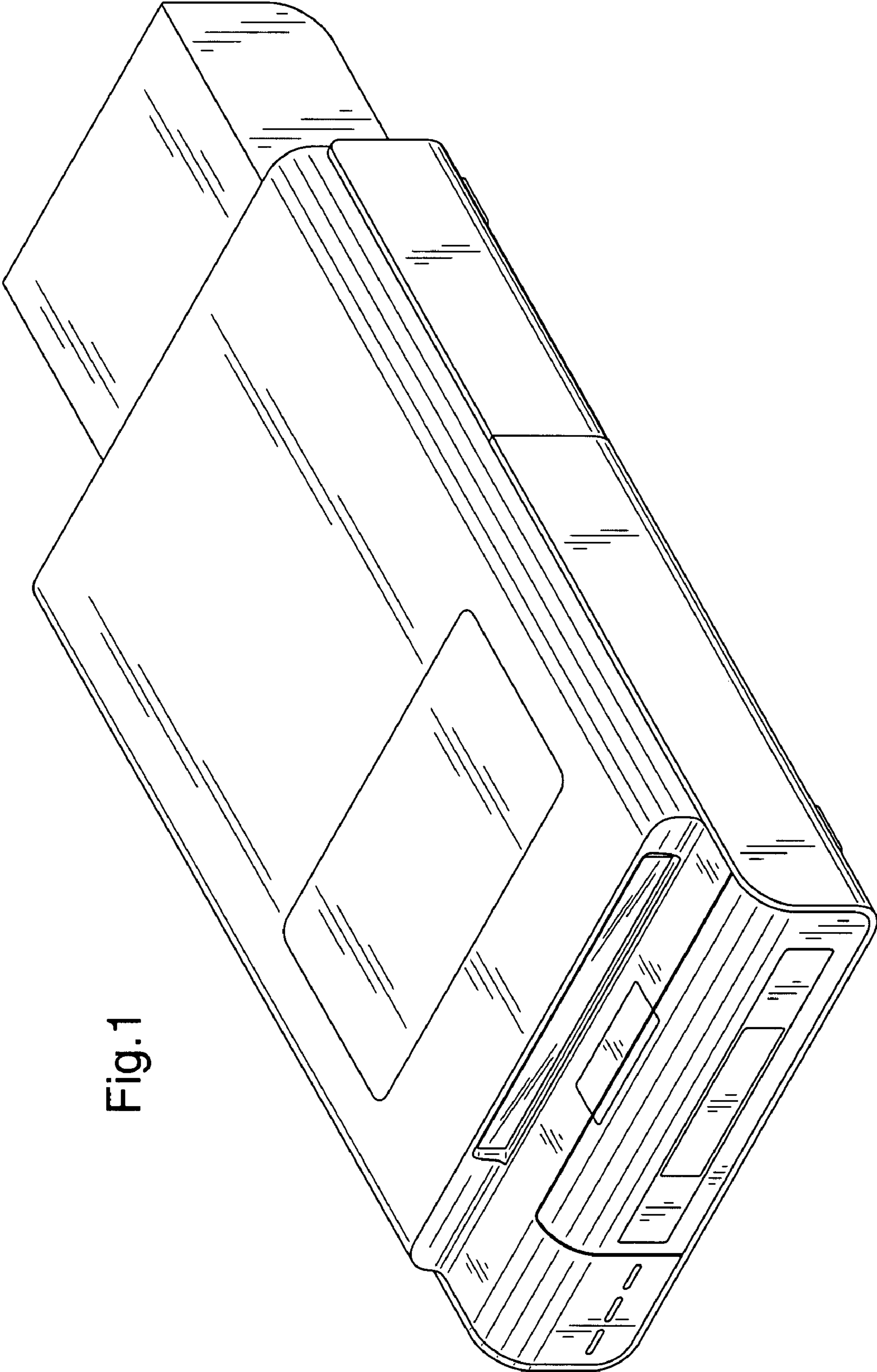


Fig.1

Fig.2

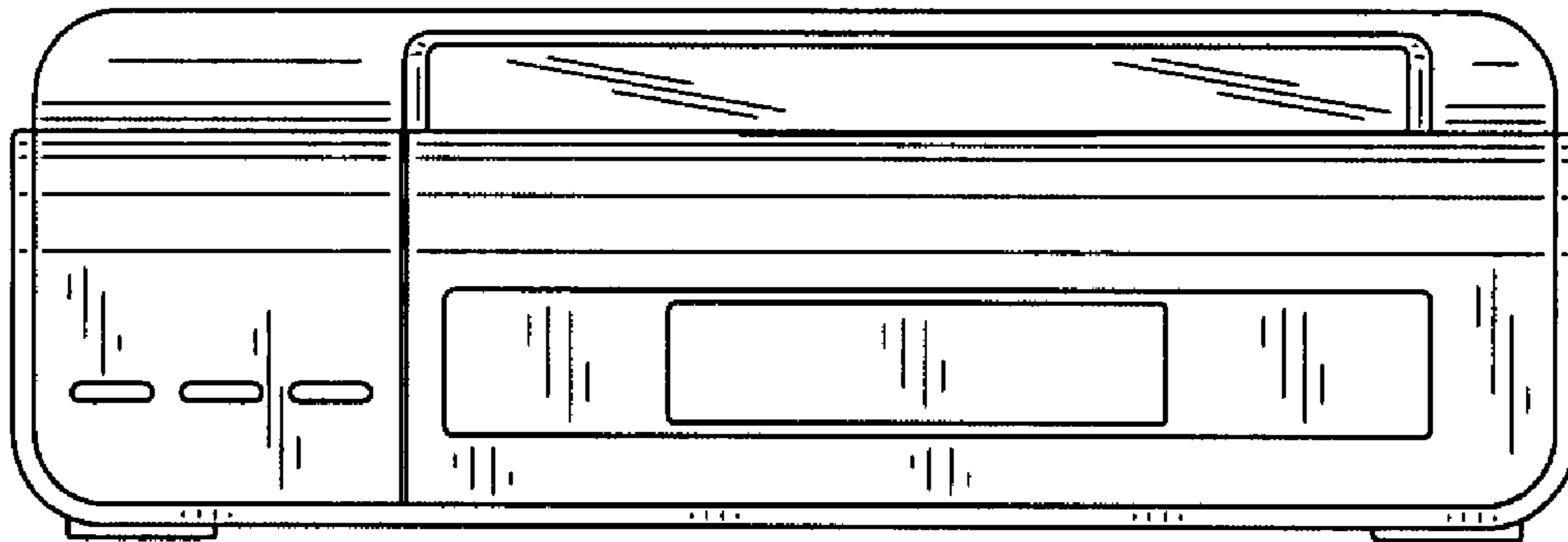


Fig.3

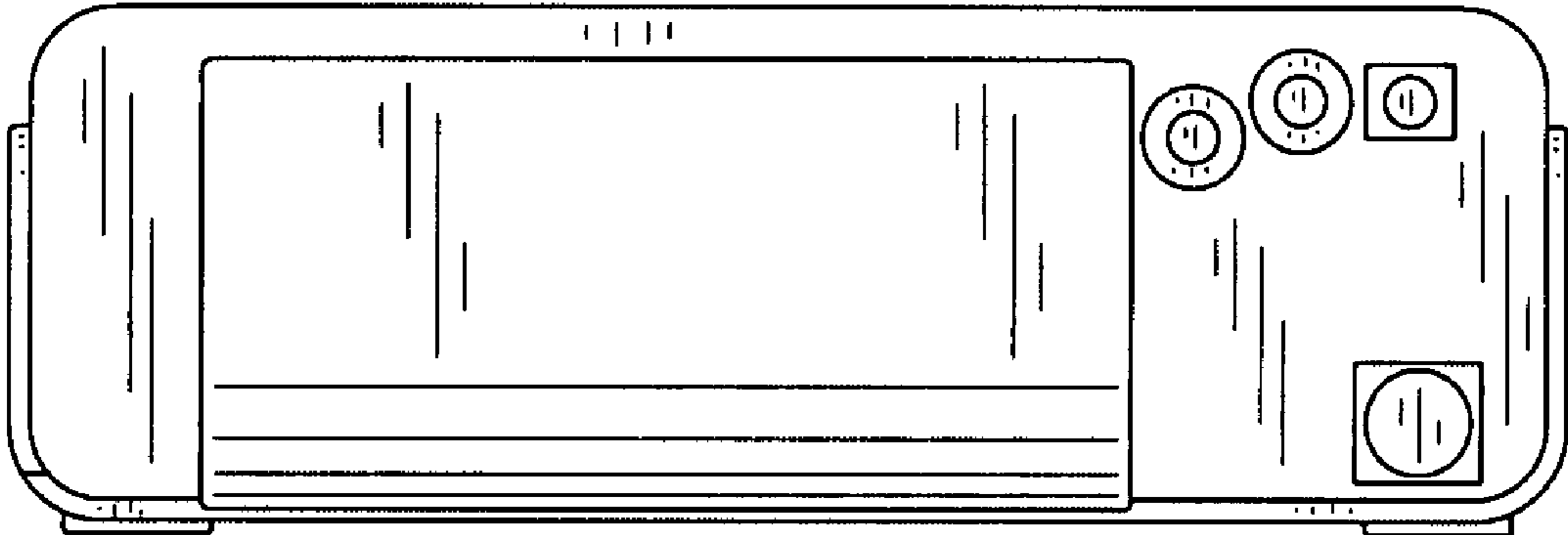


Fig.4

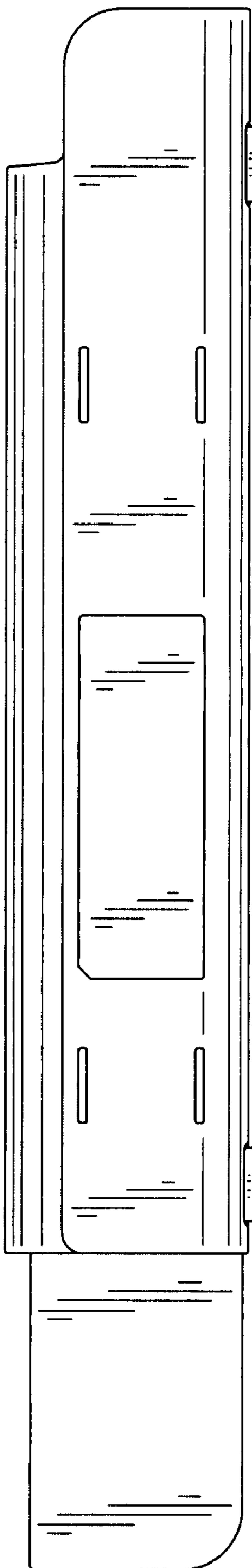


Fig.5

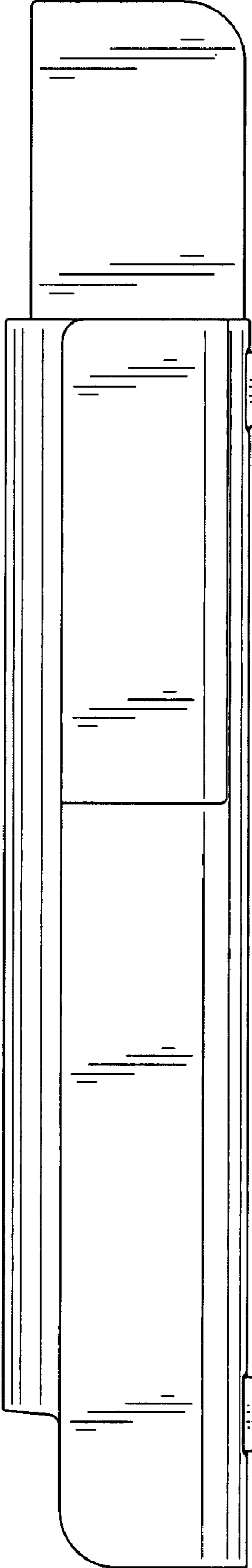


Fig.6

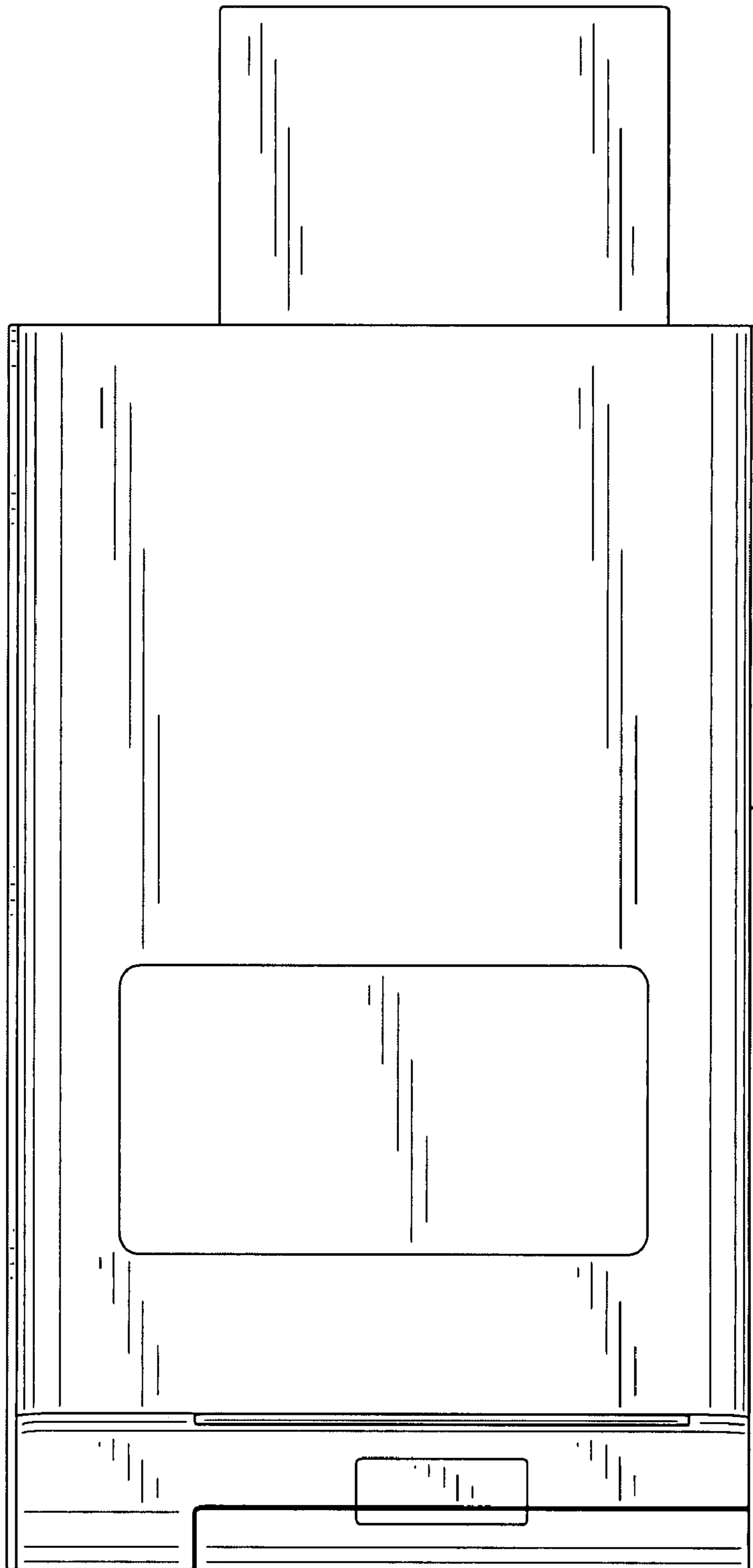




Fig.7

