



US00D614691S

(12) **United States Design Patent**  
**Abe et al.**

(10) **Patent No.:** **US D614,691 S**  
(45) **Date of Patent:** **\*\* Apr. 27, 2010**

(54) **PROCESS CARTRIDGE**

(75) Inventors: **Daisuke Abe**, Shizuoka-ken (JP);  
**Teruhiko Sasaki**, Mishima (JP);  
**Masanari Morioka**, Numazu (JP);  
**Naoya Asanuma**, Susono (JP); **Hiroki**  
**Ogino**, Mishima (JP); **Junichiro**  
**Mizobe**, Susono (JP)

(73) Assignee: **Canon Kabushiki Kaisha**, Tokyo (JP)

(\*\*) Term: **14 Years**

(21) Appl. No.: **29/330,549**

(22) Filed: **Jan. 9, 2009**

(30) **Foreign Application Priority Data**

Jul. 11, 2008 (JP) ..... 2008-017948

(51) **LOC (9) Cl.** ..... **16-03**

(52) **U.S. Cl.** ..... **D18/43**

(58) **Field of Classification Search** ..... D14/471;  
D18/12, 36, 40, 43, 44, 56; 222/DIG. 1;  
347/197, 222; 399/24-28, 107-112, 119,  
399/121, 122, 222-224

See application file for complete search history.

(56) **References Cited**

**U.S. PATENT DOCUMENTS**

D338,227 S *	8/1993	Tokuda et al.	.....	D18/43
D338,909 S *	8/1993	Tokuda et al.	.....	D18/43
D357,272 S *	4/1995	Tokuda et al.	.....	D18/43
D397,140 S *	8/1998	Oshida	.....	D18/40
D462,984 S	9/2002	Hayashi et al.	.....	D18/40
D474,804 S	5/2003	Kubota et al.	.....	D18/40
D475,082 S	5/2003	Kubota et al.	.....	D18/40
D489,753 S	5/2004	Batori et al.	.....	D18/40
D500,515 S *	1/2005	Karakama et al.	.....	D18/40
D508,074 S	8/2005	Batori et al.	.....	D18/40

7,103,300 B2 *	9/2006	Kim et al.	.....	399/111
D555,717 S	11/2007	Batori et al.	.....	D18/43
D565,094 S	3/2008	Sasaki et al.	.....	D18/43
D577,061 S *	9/2008	Kim	.....	D18/43
D583,860 S *	12/2008	Kubota et al.	.....	D18/43
D600,276 S *	9/2009	Noh et al.	.....	D18/43

**OTHER PUBLICATIONS**

Notification of Reason for Refusal, JP Design Application No. 2008-017948, dated Jan. 20, 2009 (with translation).

\* cited by examiner

*Primary Examiner*—Caron Veynar

*Assistant Examiner*—Garth Rademaker

(74) *Attorney, Agent, or Firm*—Fitzpatrick, Cella, Harper & Scinto

(57) **CLAIM**

The ornamental design for a process cartridge, as shown and described.

**DESCRIPTION**

FIG. 1 is a front view of a process cartridge showing our new design;

FIG. 2 is a rear view thereof;

FIG. 3 is a top plan view thereof;

FIG. 4 is a bottom plan view thereof;

FIG. 5 is a left side view thereof;

FIG. 6 is a right side view thereof;

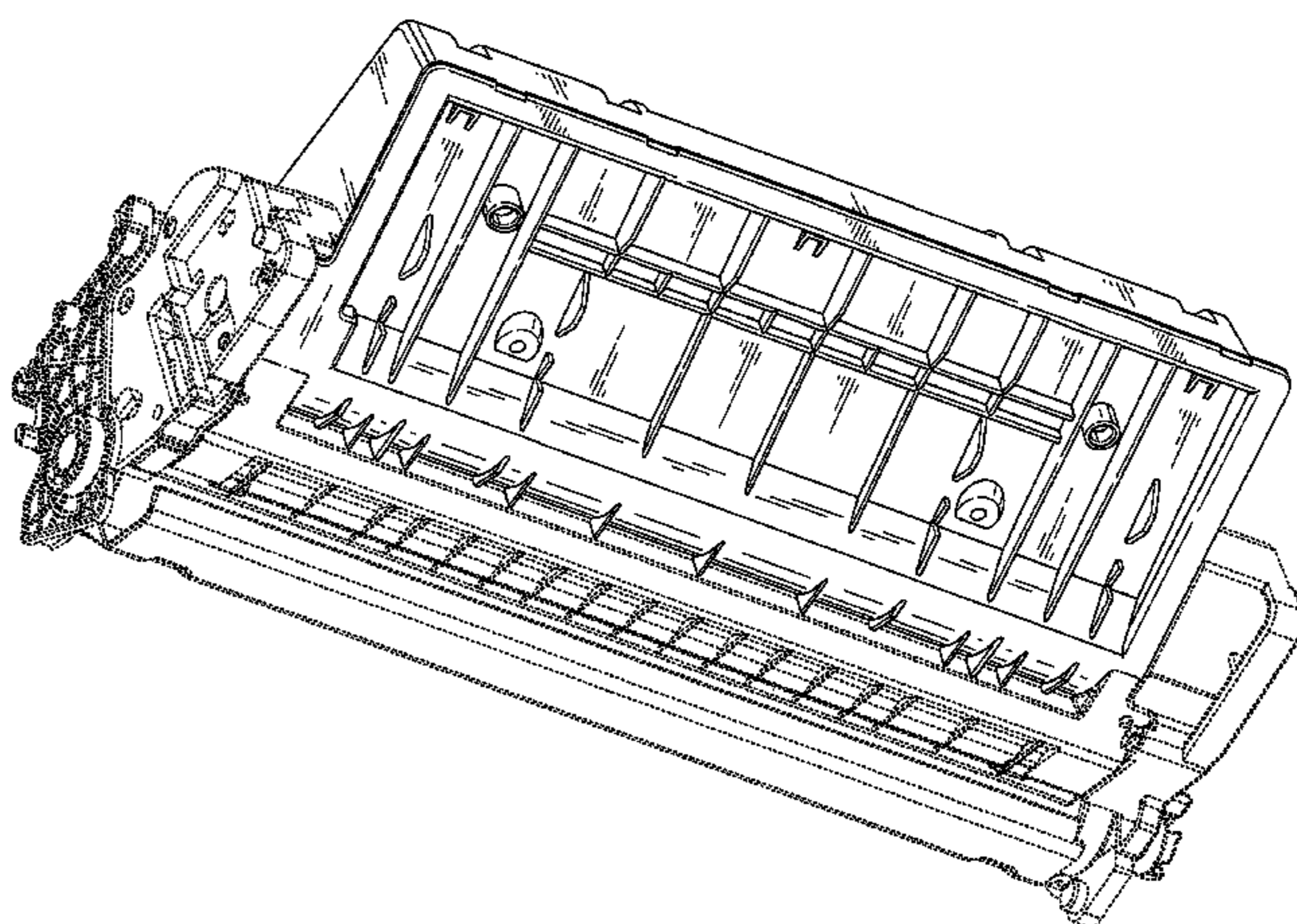
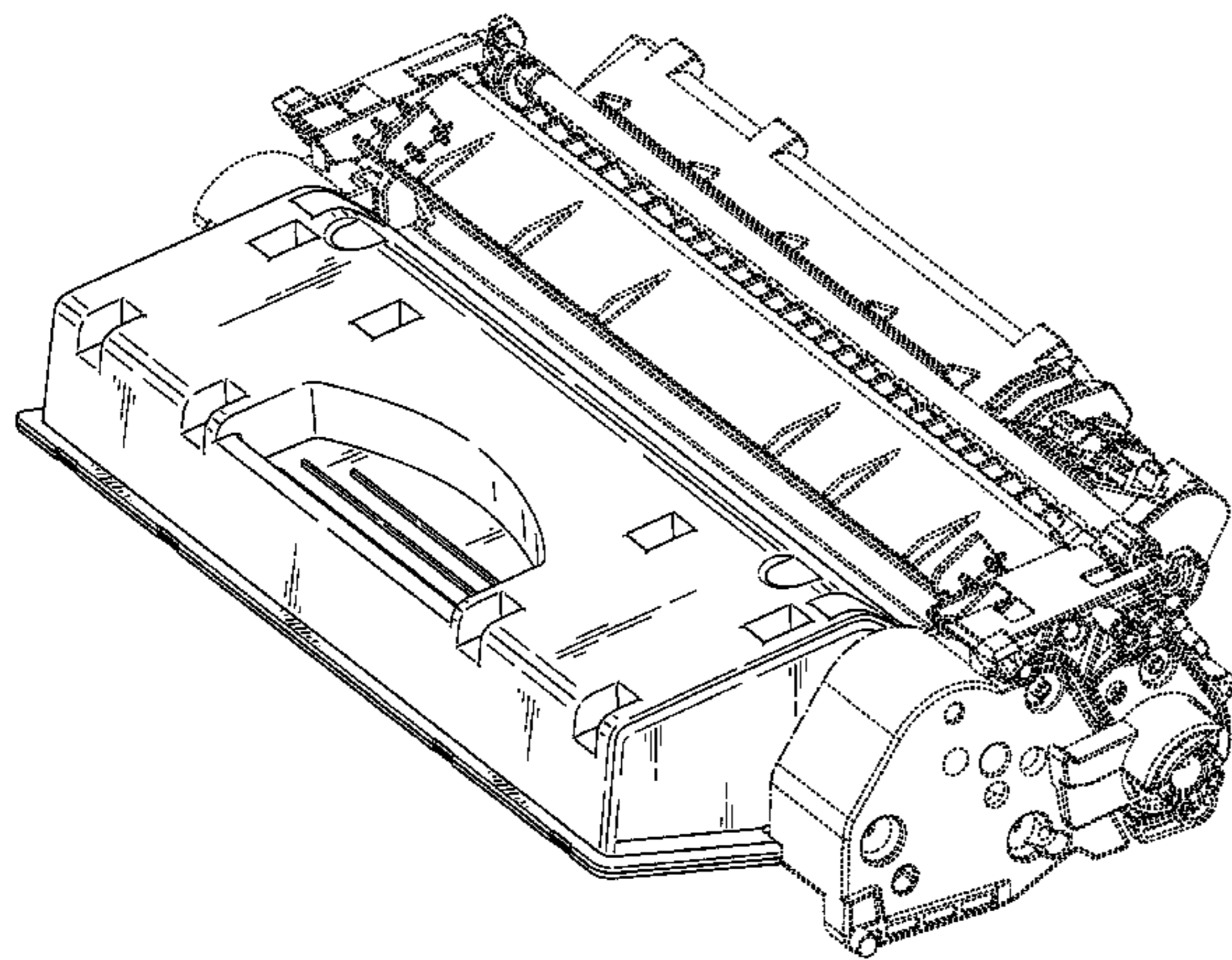
FIG. 7 is a top and right side perspective view thereof;

FIG. 8 is a top and left side perspective view thereof; and,

FIG. 9 is a bottom and left side perspective view thereof.

The broken lines depict environmental subject matter only and form no part of the claimed design.

**1 Claim, 7 Drawing Sheets**



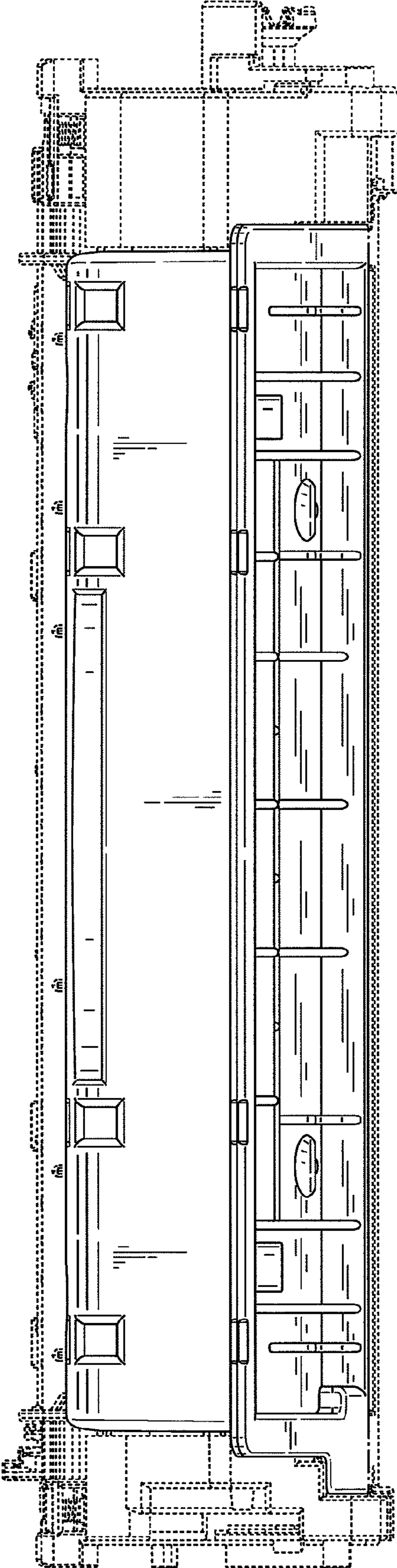


FIG. 1

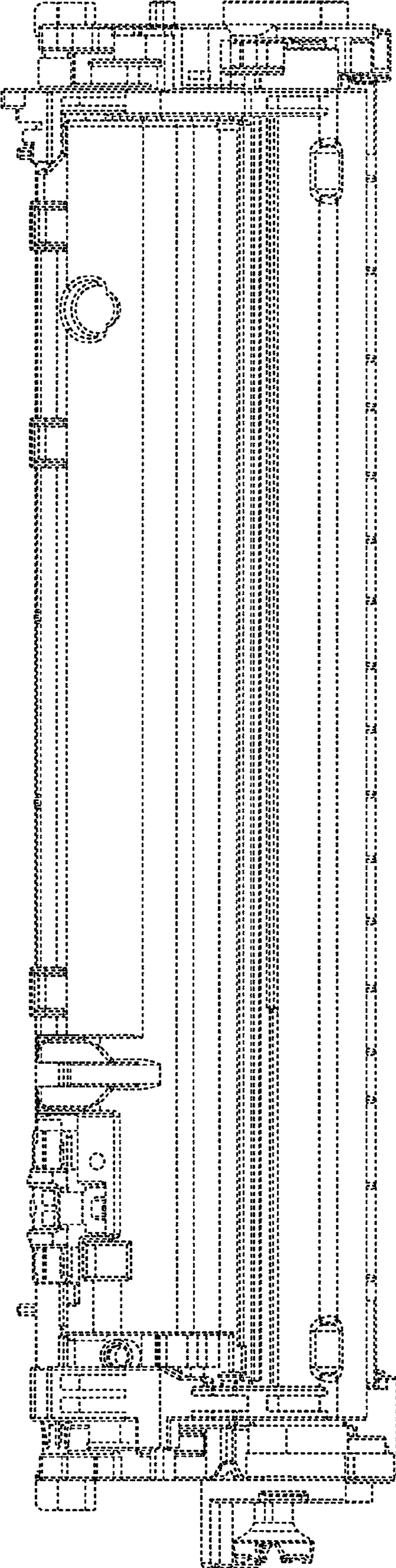


FIG. 2

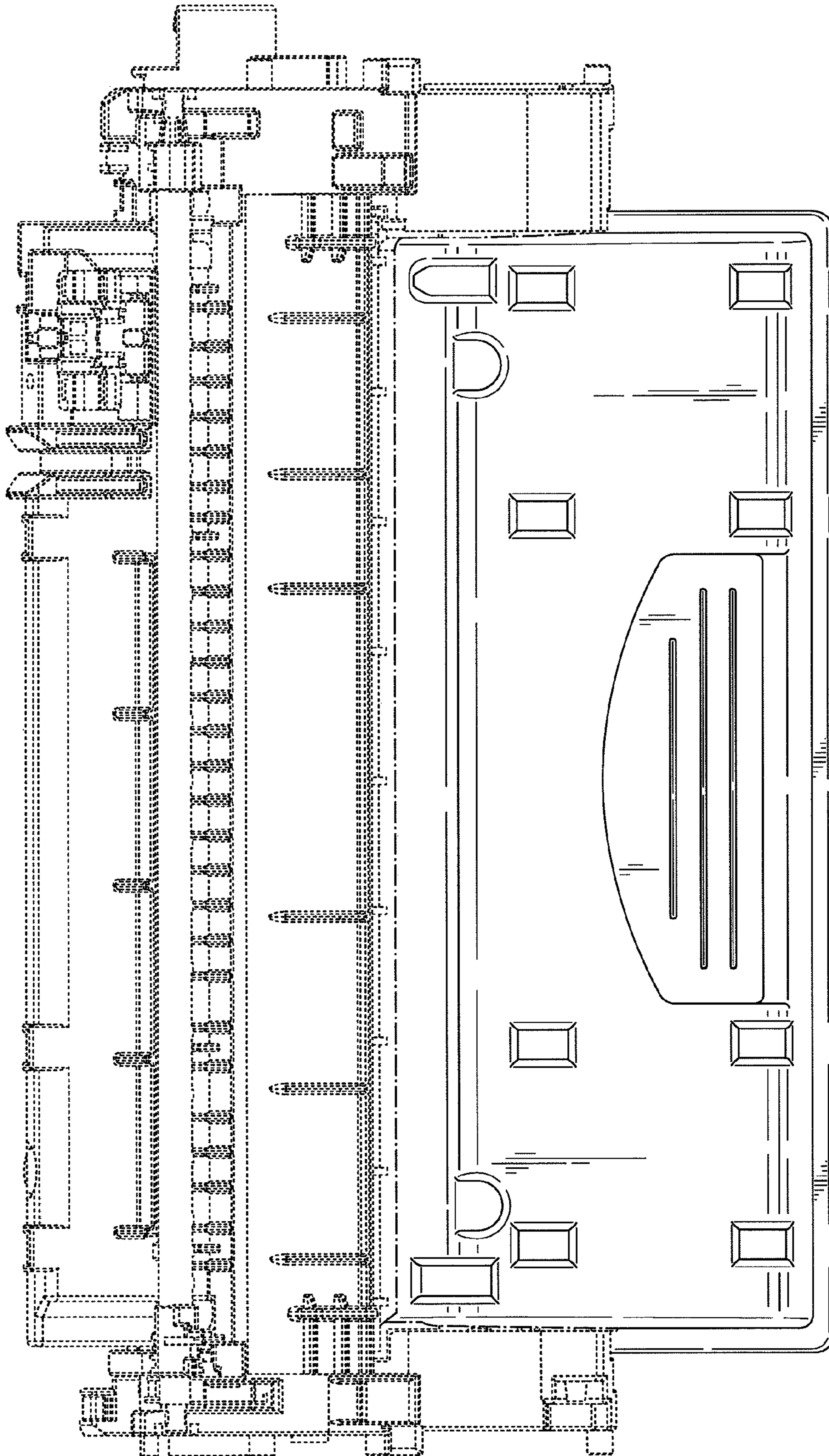


FIG. 3

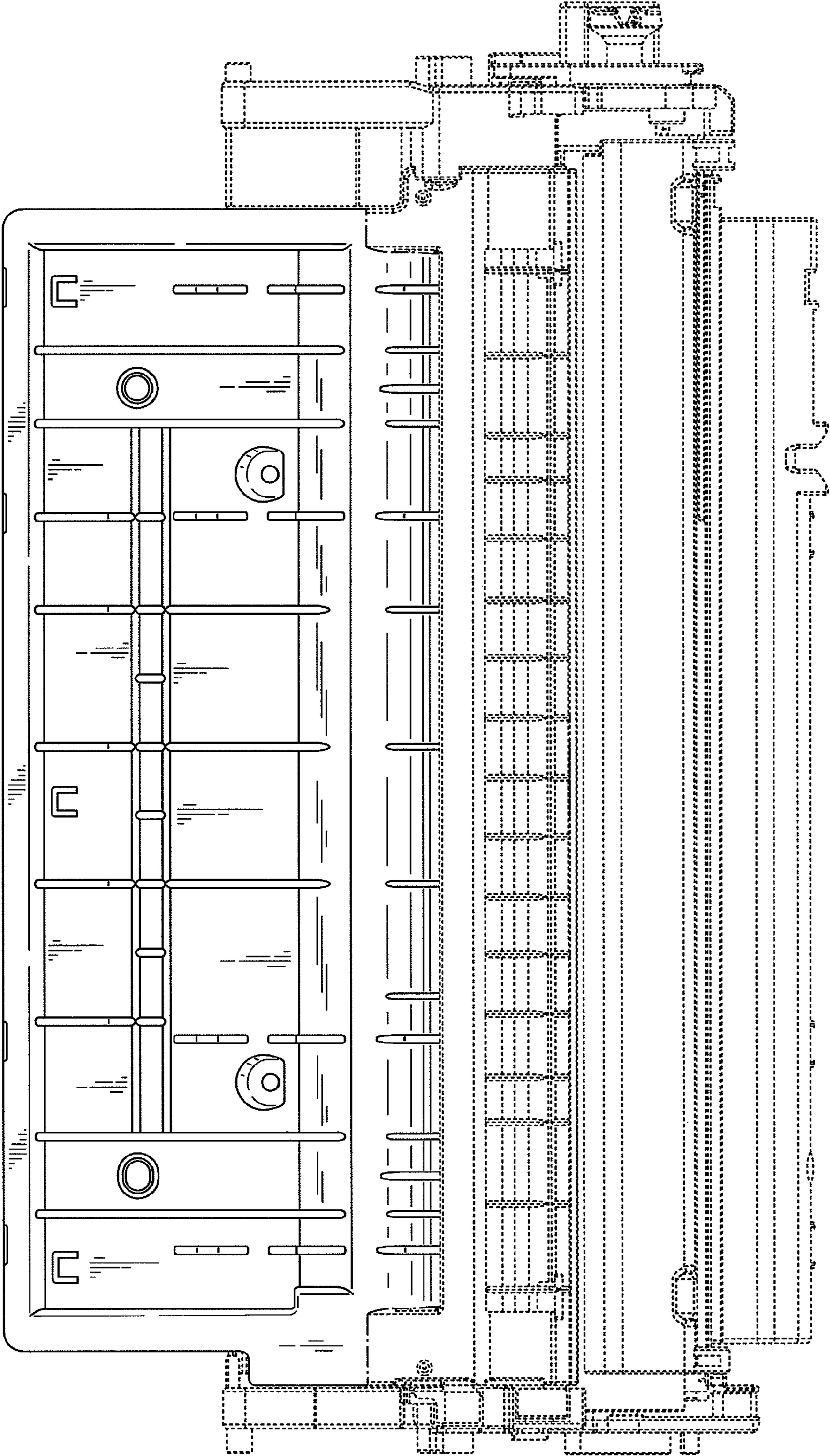
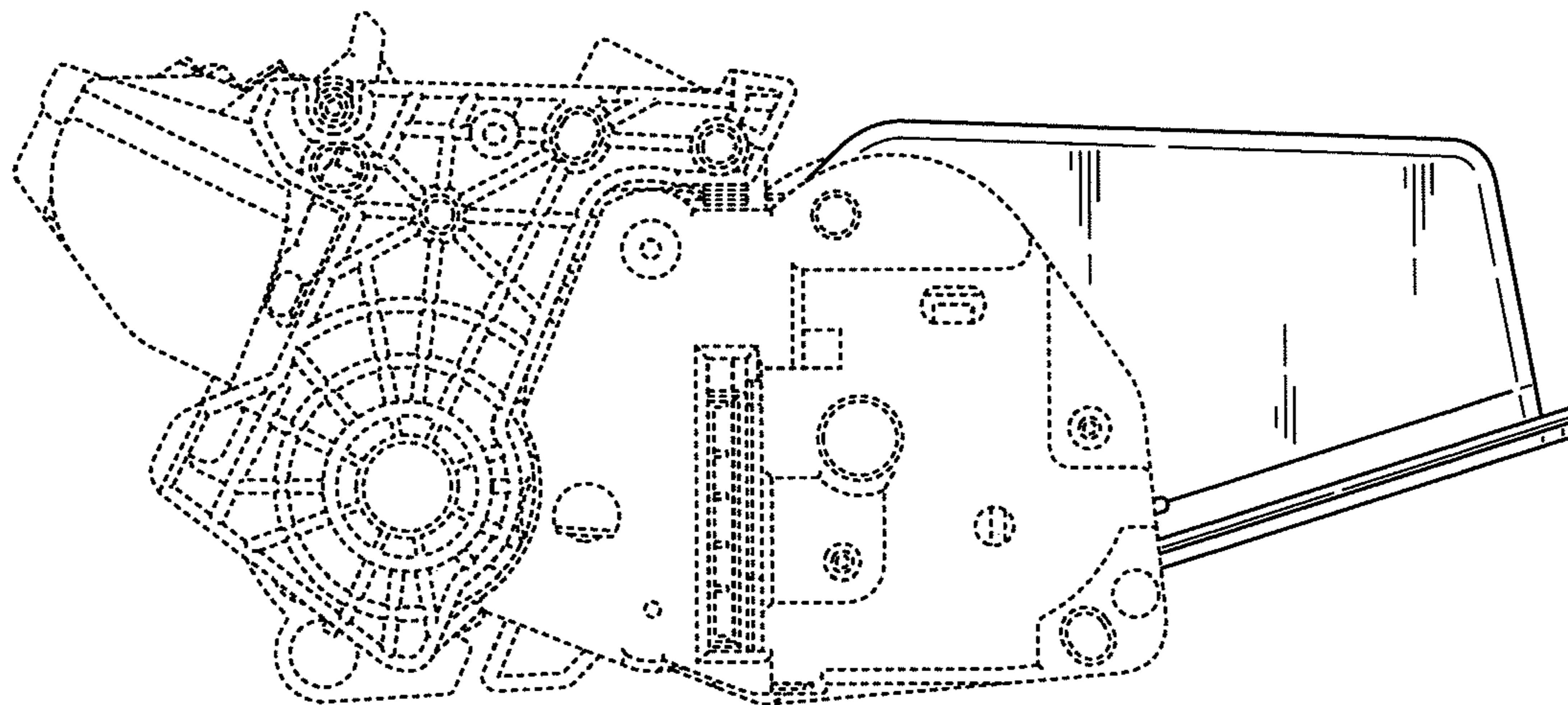
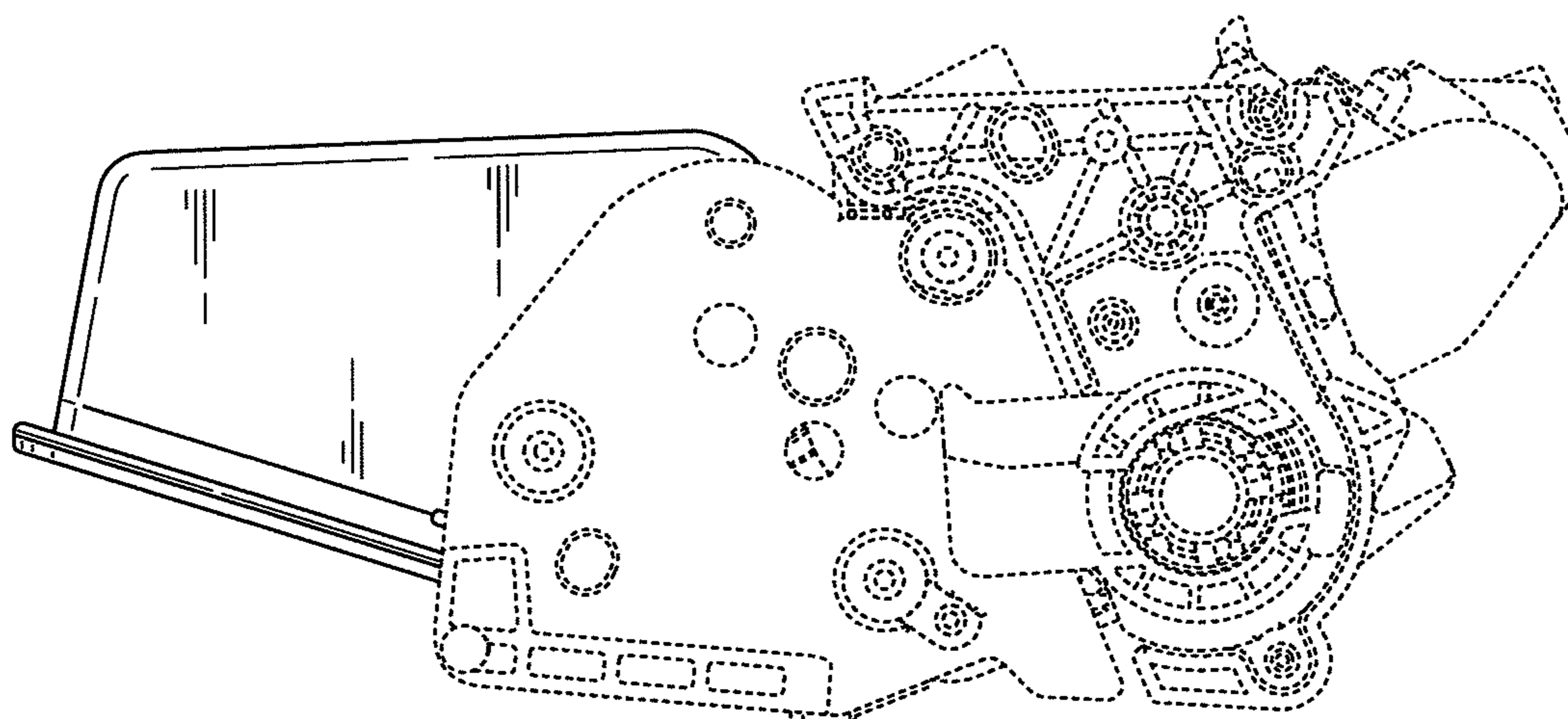


FIG. 4



**FIG. 5**



**FIG. 6**

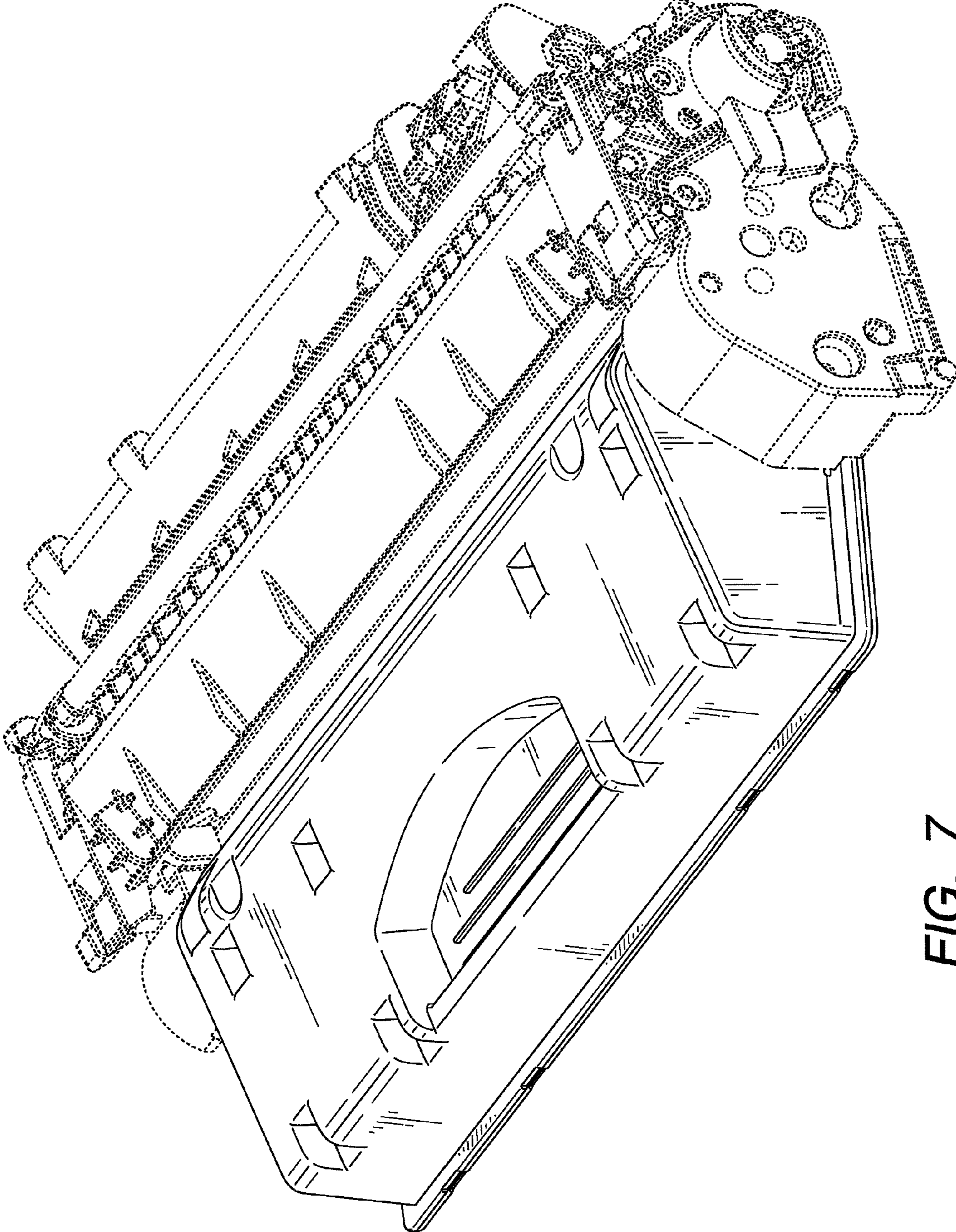


FIG. 7

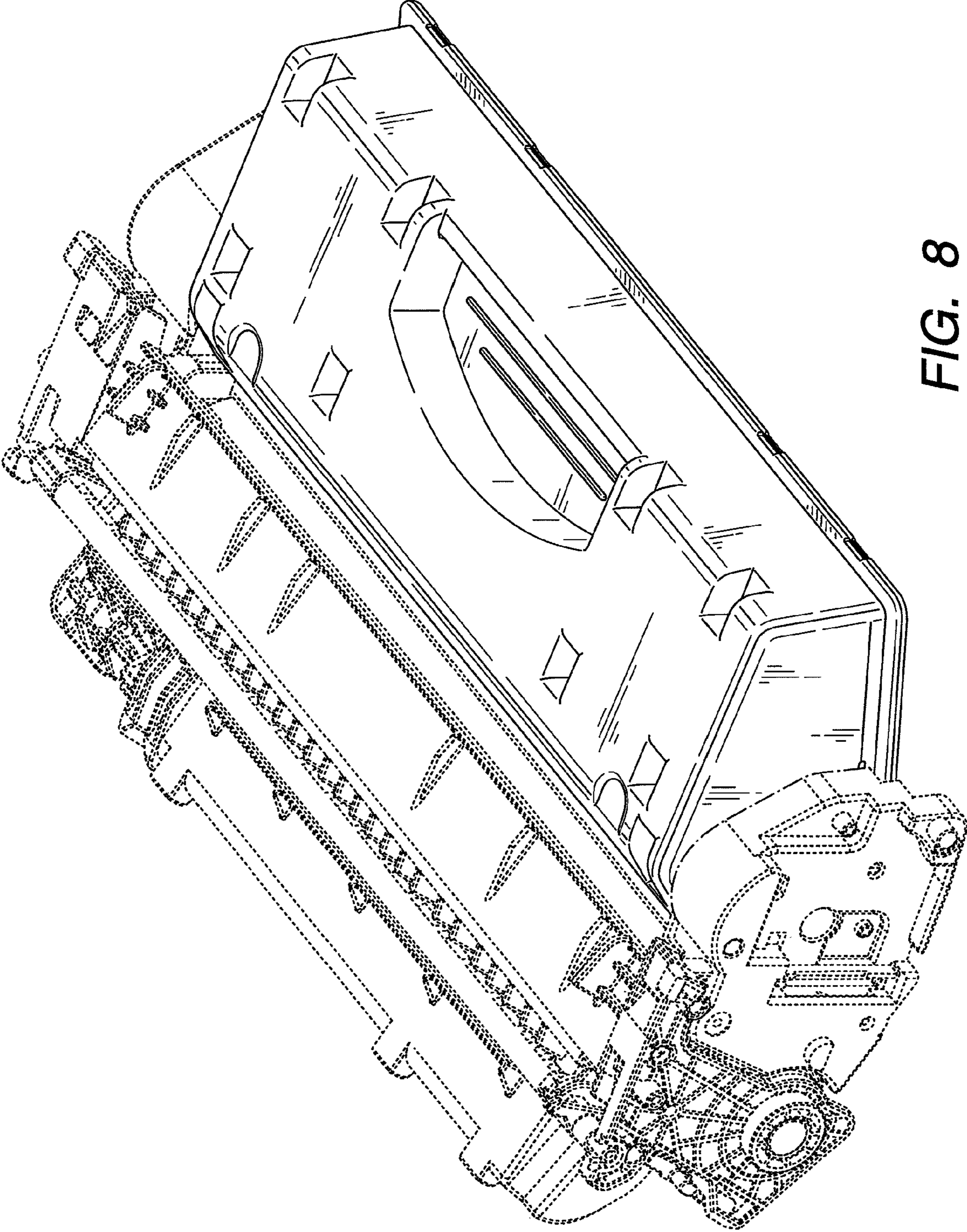


FIG. 8

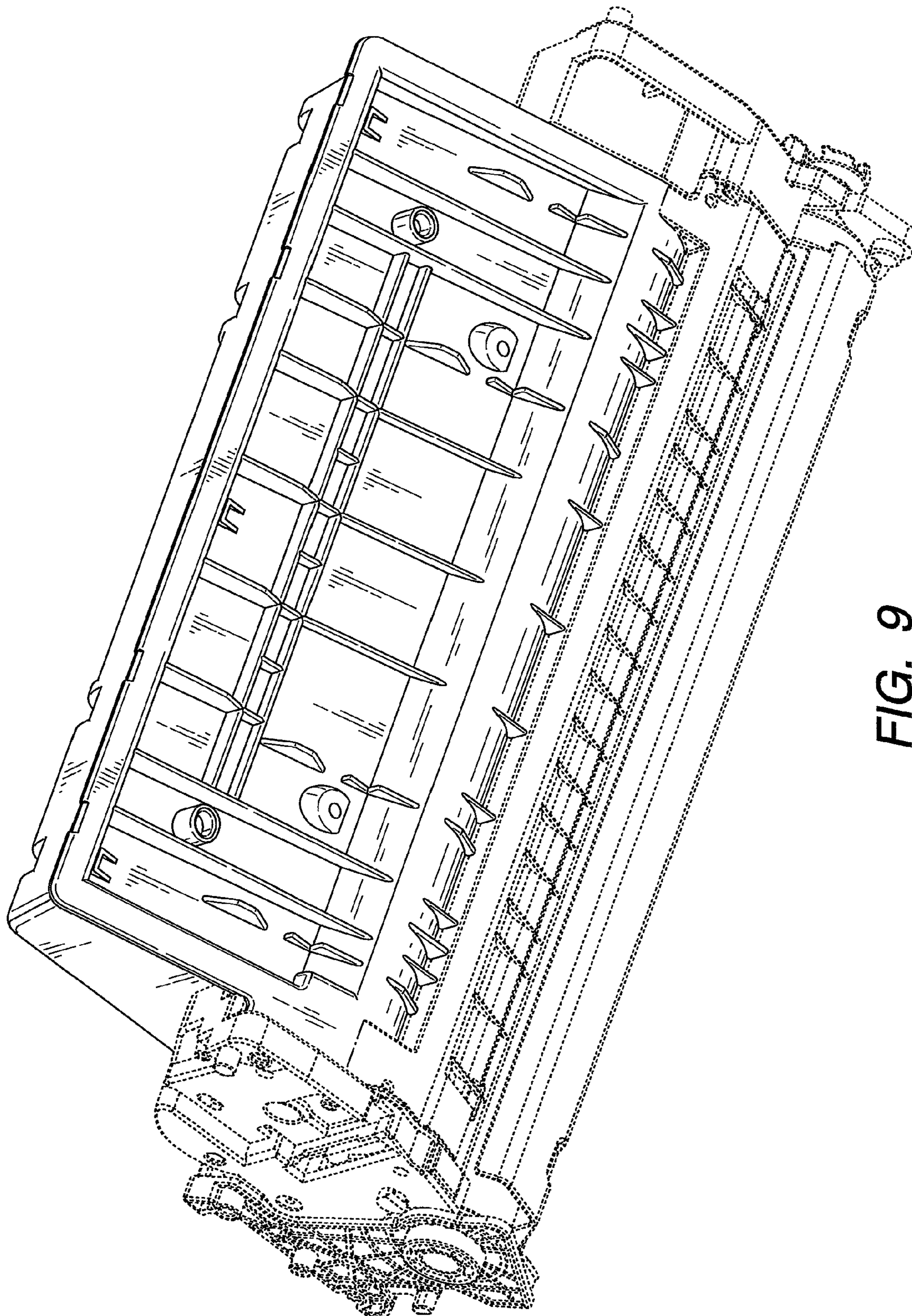


FIG. 9