



US00D614690S

(12) **United States Design Patent**
Wing et al.

(10) **Patent No.:** **US D614,690 S**
(45) **Date of Patent:** **** Apr. 27, 2010**

(54) **PAPER SHREDDER**

(75) Inventors: **Lau Hee Wing**, KLN (HK); **Leon Kuo Liang Yoong**, Wheelers Hill (AU);
Michael Kent, Cumberland, RI (US)

(73) Assignees: **Techtronic Floor Care Technology Limited (VG)**; **Staples The Office Superstore, LLC**, Farmingham, ME (US)

(**) Term: **14 Years**

(21) Appl. No.: **29/328,173**

(22) Filed: **Nov. 20, 2008**

(51) **LOC (9) Cl.** **18-03**

(52) **U.S. Cl.** **D18/34.5**

(58) **Field of Classification Search** D18/34.1-34.9;
241/100, 236, 101.78, 36; 83/613, 614, 623,
83/485, 57-68; 30/294, 296.1, 275.4, 276
See application file for complete search history.

(56) **References Cited**

U.S. PATENT DOCUMENTS

6,164,573 A * 12/2000 Li-Ming 241/100
D437,343 S * 2/2001 Ho D18/34.6
D502,961 S * 3/2005 Lo D18/34.6
D546,872 S * 7/2007 Kent et al. D18/34.5

D547,366 S * 7/2007 Kent et al. D18/34.5
D586,846 S * 2/2009 Kent et al. D18/34.5
D602,982 S * 10/2009 Kit et al. D18/34.5
D602,983 S * 10/2009 Kit et al. D18/34.5
D604,762 S * 11/2009 Parratt et al. D18/34.9
D607,043 S * 12/2009 Kim et al. D18/34.5

* cited by examiner

Primary Examiner—Charles A Rademaker

(74) *Attorney, Agent, or Firm*—Fay Sharpe LLP

(57) **CLAIM**

The ornamental design for a paper shredder, as shown and described.

DESCRIPTION

FIG. 1 is a perspective view of a paper shredder showing our new design;

FIG. 2 is a front elevational view thereof;

FIG. 3 is a right side elevational view thereof, with the left side elevational view being a mirror image thereof;

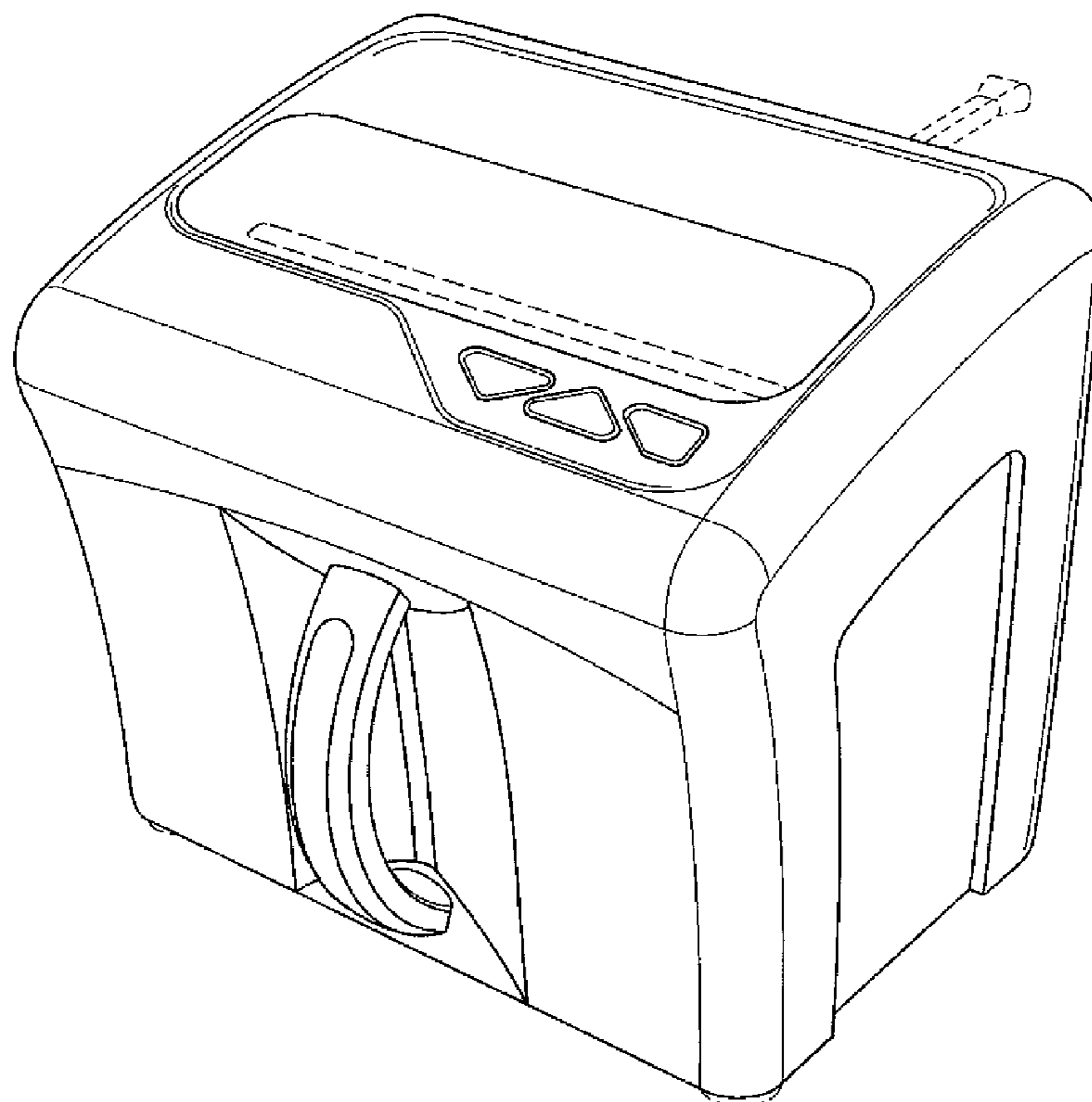
FIG. 4 is a rear elevational view thereof;

FIG. 5 is a top plan view thereof; and,

FIG. 6 is a bottom plan view thereof.

The broken lines shown in the drawings illustrate structural environment and form no part of the claimed design.

1 Claim, 3 Drawing Sheets



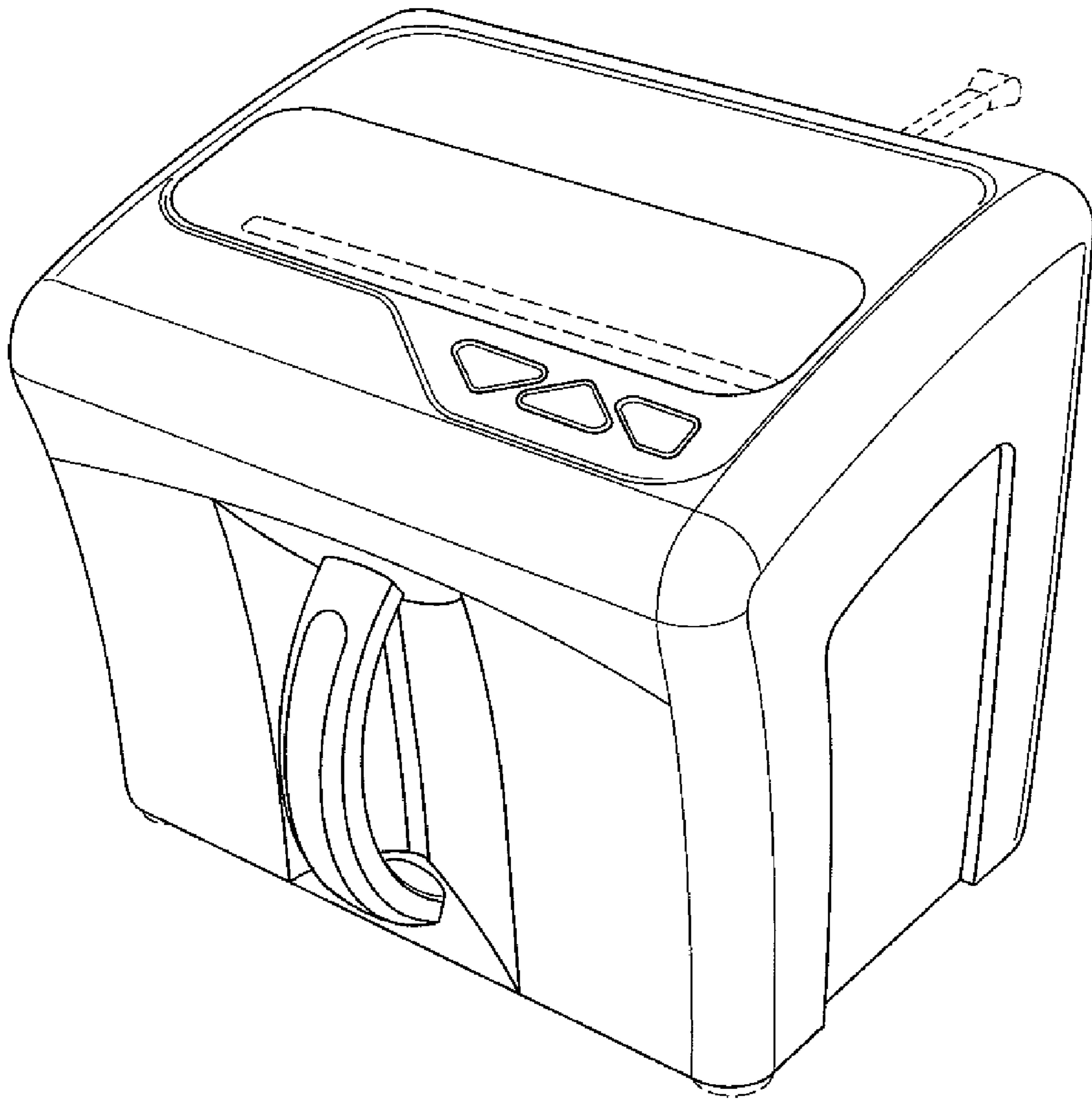


FIG. 1

FIG. 2

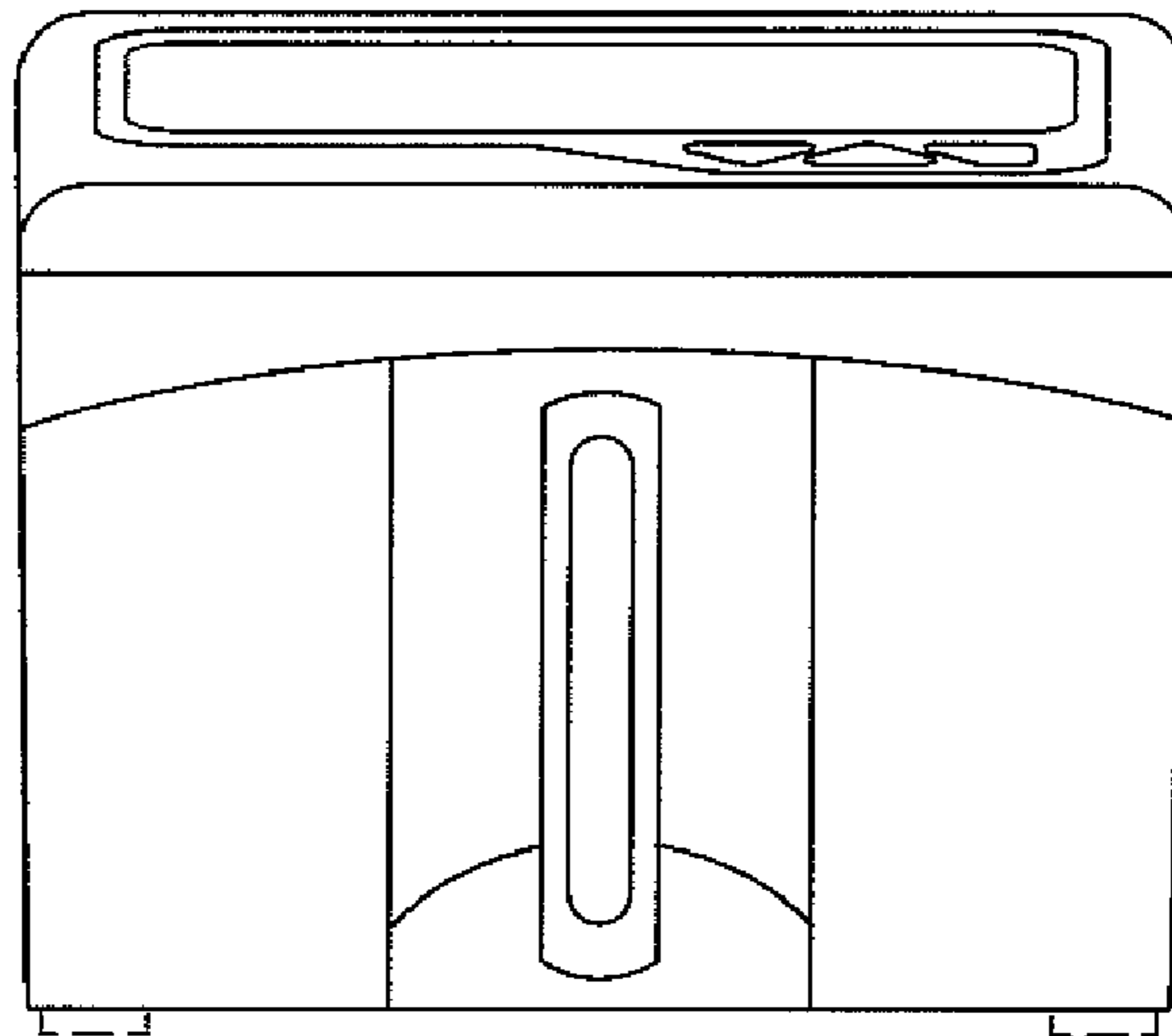


FIG. 3

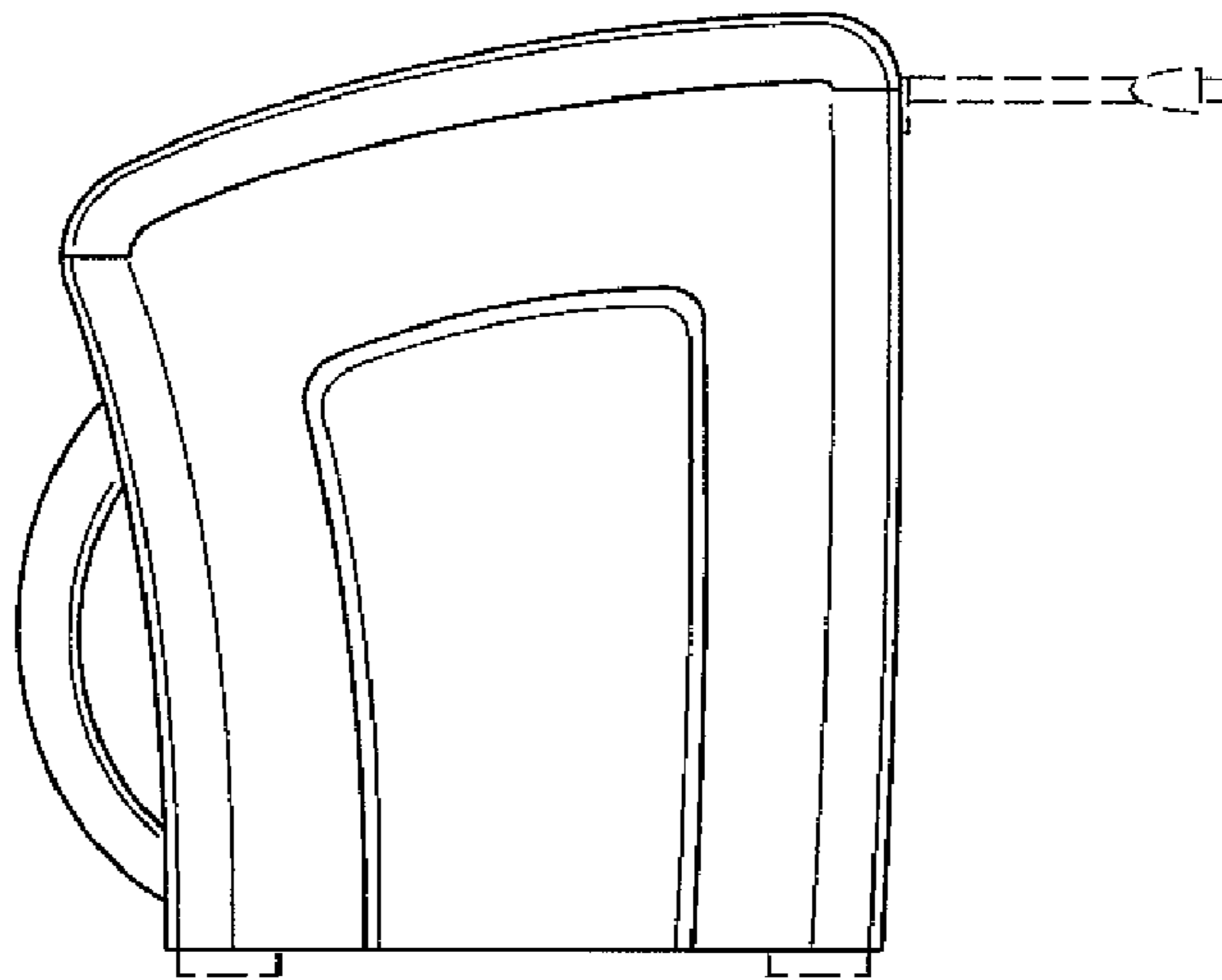
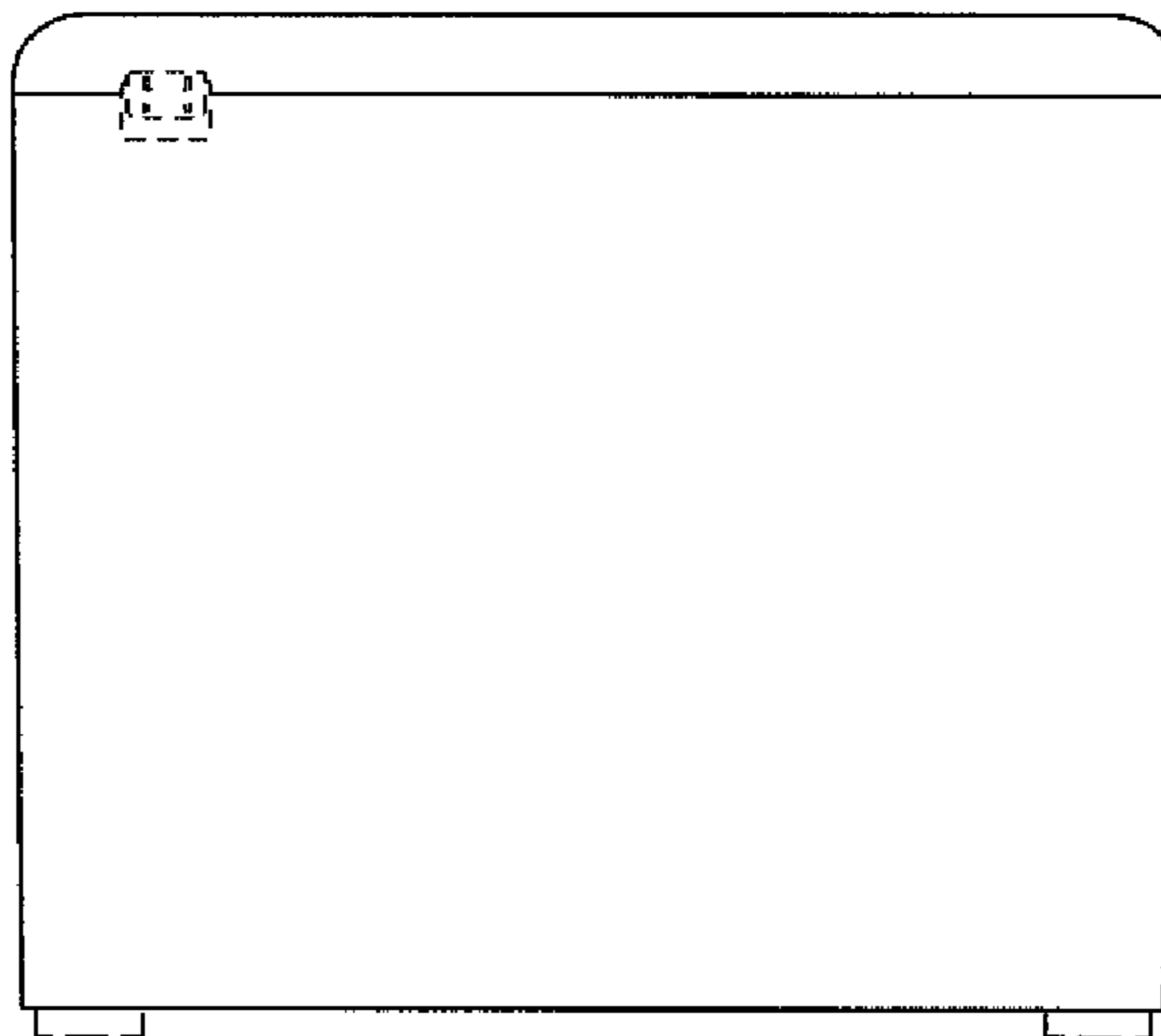


FIG. 4



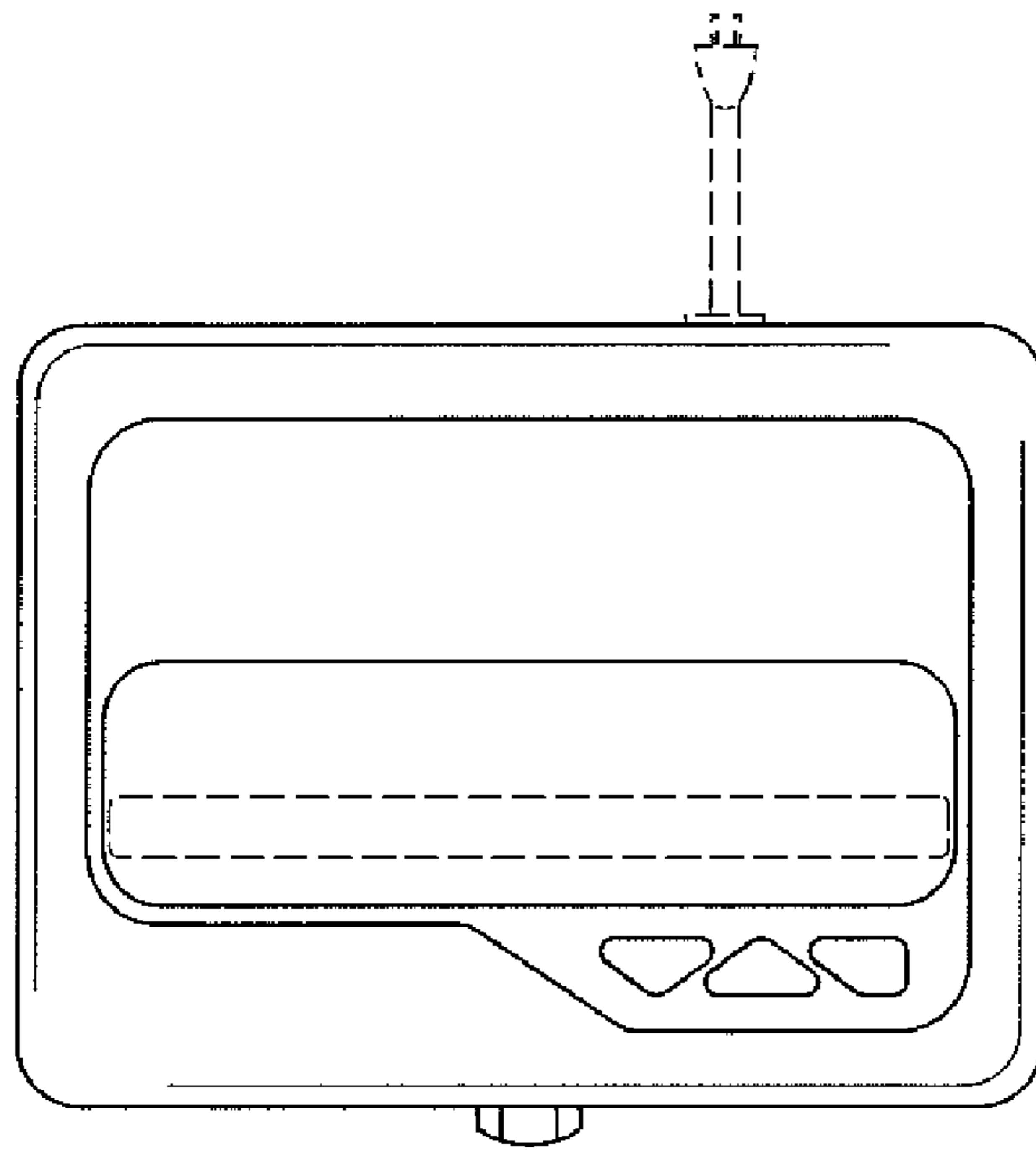


FIG. 5

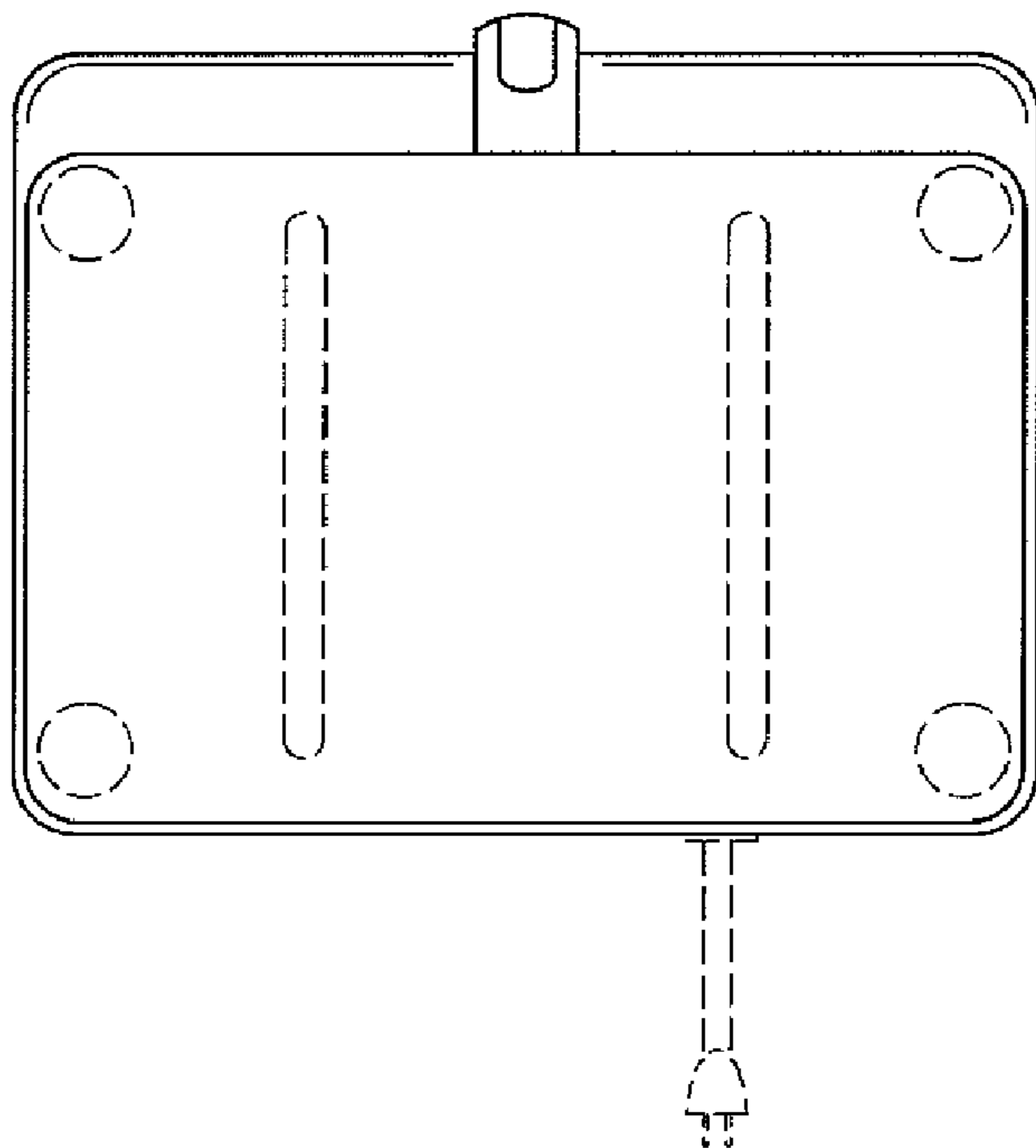


FIG. 6