



US00D614686S

(12) **United States Design Patent**
Bergese et al.

(10) **Patent No.:** **US D614,686 S**
(45) **Date of Patent:** **** Apr. 27, 2010**

(54) **ELECTRONIC PERCUSSION**

(75) Inventors: **Enrico Bergese**, Hamamatsu (JP);
Manabu Kawada, Hamamatsu (JP);
Akie Hinokio, Hamamatsu (JP)

(73) Assignee: **Yamaha Corporation**, Shizuoka (JP)

(**) Term: **14 Years**

(21) Appl. No.: **29/274,193**

(22) Filed: **Apr. 4, 2007**

(30) **Foreign Application Priority Data**

Dec. 28, 2006 (JP) 2006-036229

(51) **LOC (9) Cl.** **17-04**

(52) **U.S. Cl.** **D17/22**

(58) **Field of Classification Search** D17/22,
D17/99; 84/411 R, 420, 411 P; D21/405
See application file for complete search history.

(56) **References Cited**

U.S. PATENT DOCUMENTS

D319,249 S * 8/1991 Aluisi D17/22
D328,915 S * 8/1992 Sato D17/22
D357,271 S * 4/1995 Hoshina D17/22
D387,374 S * 12/1997 Kawada D17/22
D401,612 S * 11/1998 Takei D17/22

D472,587 S * 4/2003 Chan D21/405
D477,371 S * 7/2003 Niu D21/405
6,586,666 B2 * 7/2003 Abe 84/477 R
D569,896 S * 5/2008 Bergese et al. D17/22

* cited by examiner

Primary Examiner—Ian Simmons

Assistant Examiner—R. Johnson

(74) *Attorney, Agent, or Firm*—Sughrue Mion, PLLC

(57) **CLAIM**

The ornamental design for an electronic percussion, as shown and described.

DESCRIPTION

FIG. 1 is a perspective of the top, front and right side of an electronic percussion showing our new design;

FIG. 2 is a top plan view thereof;

FIG. 3 is a front elevational view thereof;

FIG. 4 is a rear elevational view thereof;

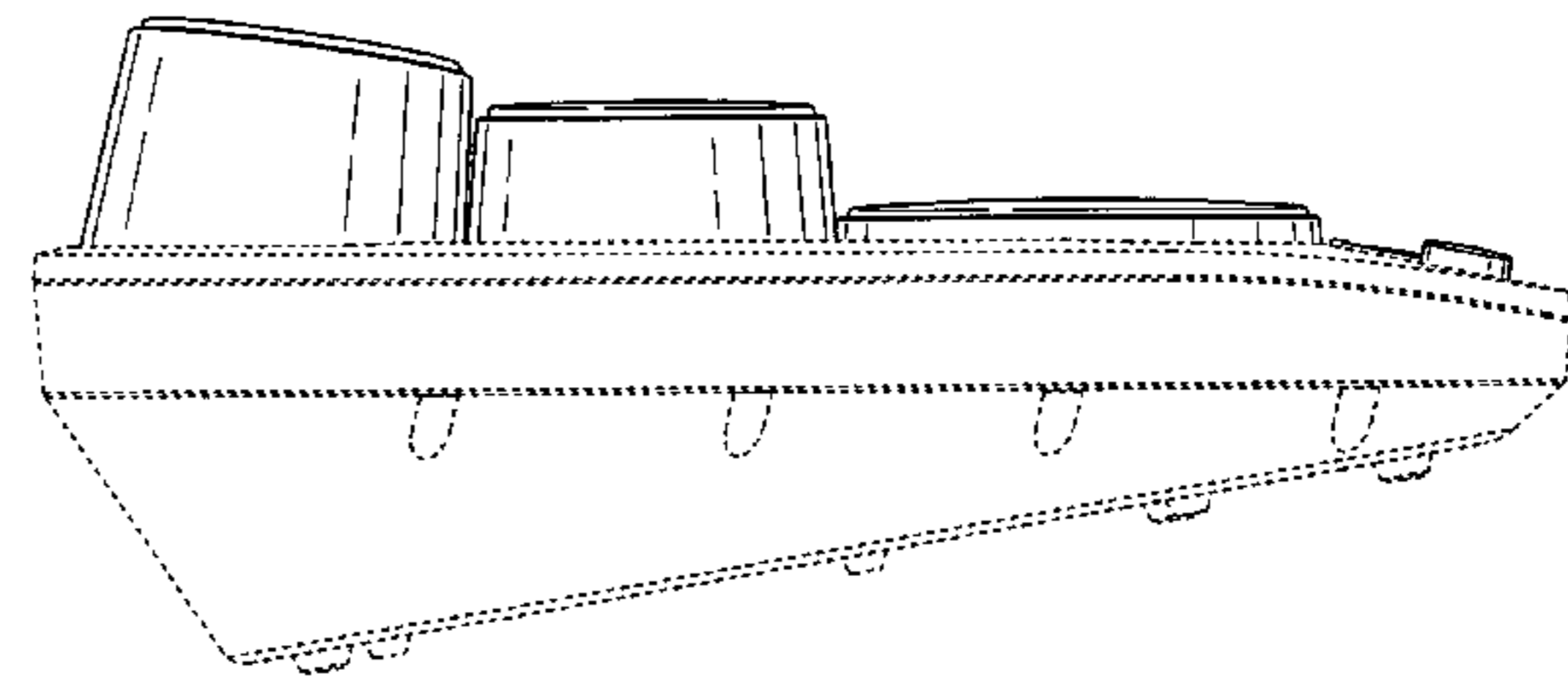
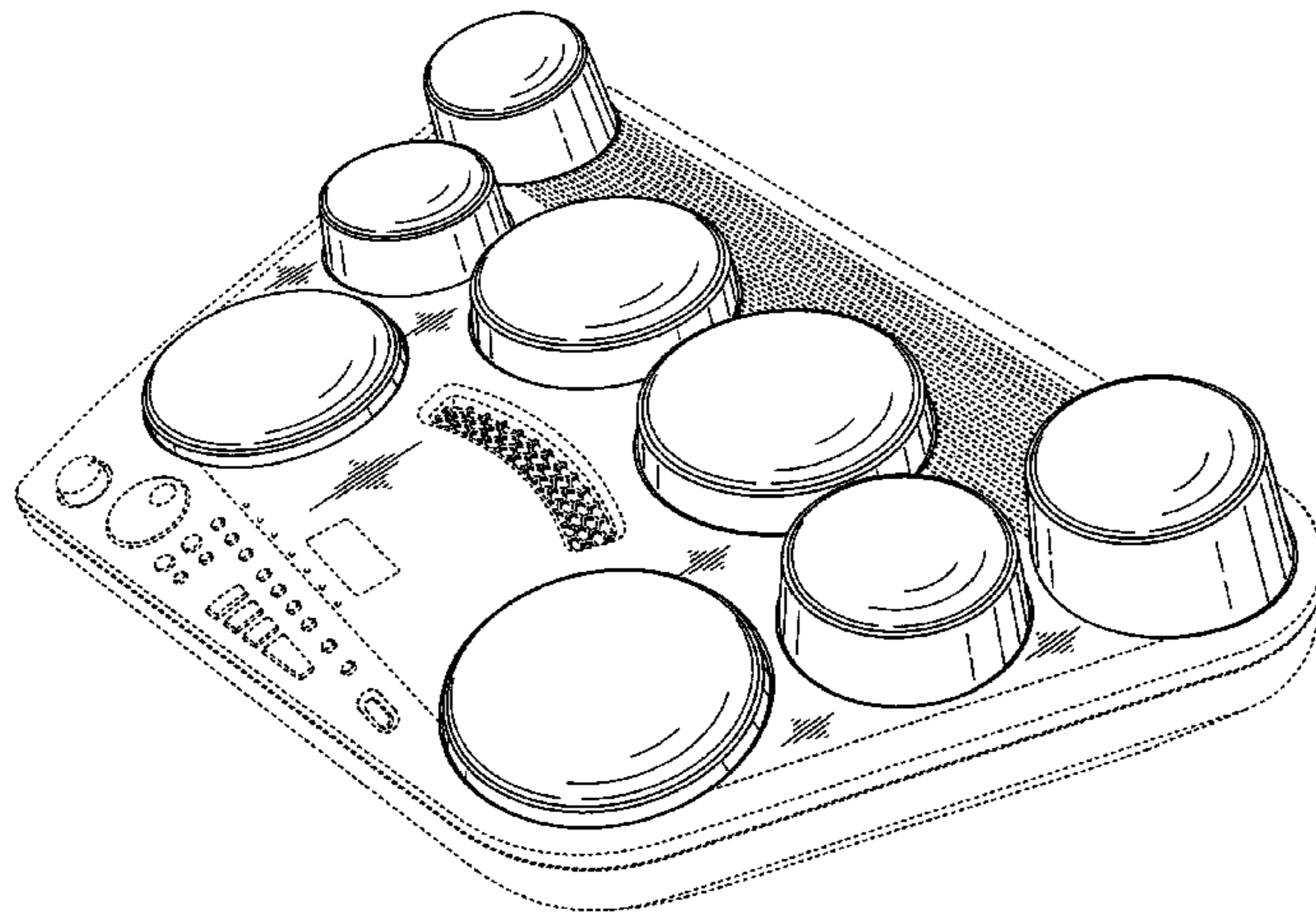
FIG. 5 is a left side elevational view thereof;

FIG. 6 is a right side elevational view thereof; and,

FIG. 7 is a bottom plan view thereof.

The portions shown in broken lines are for illustrative purposes only and form no part of the claimed design.

1 Claim, 5 Drawing Sheets



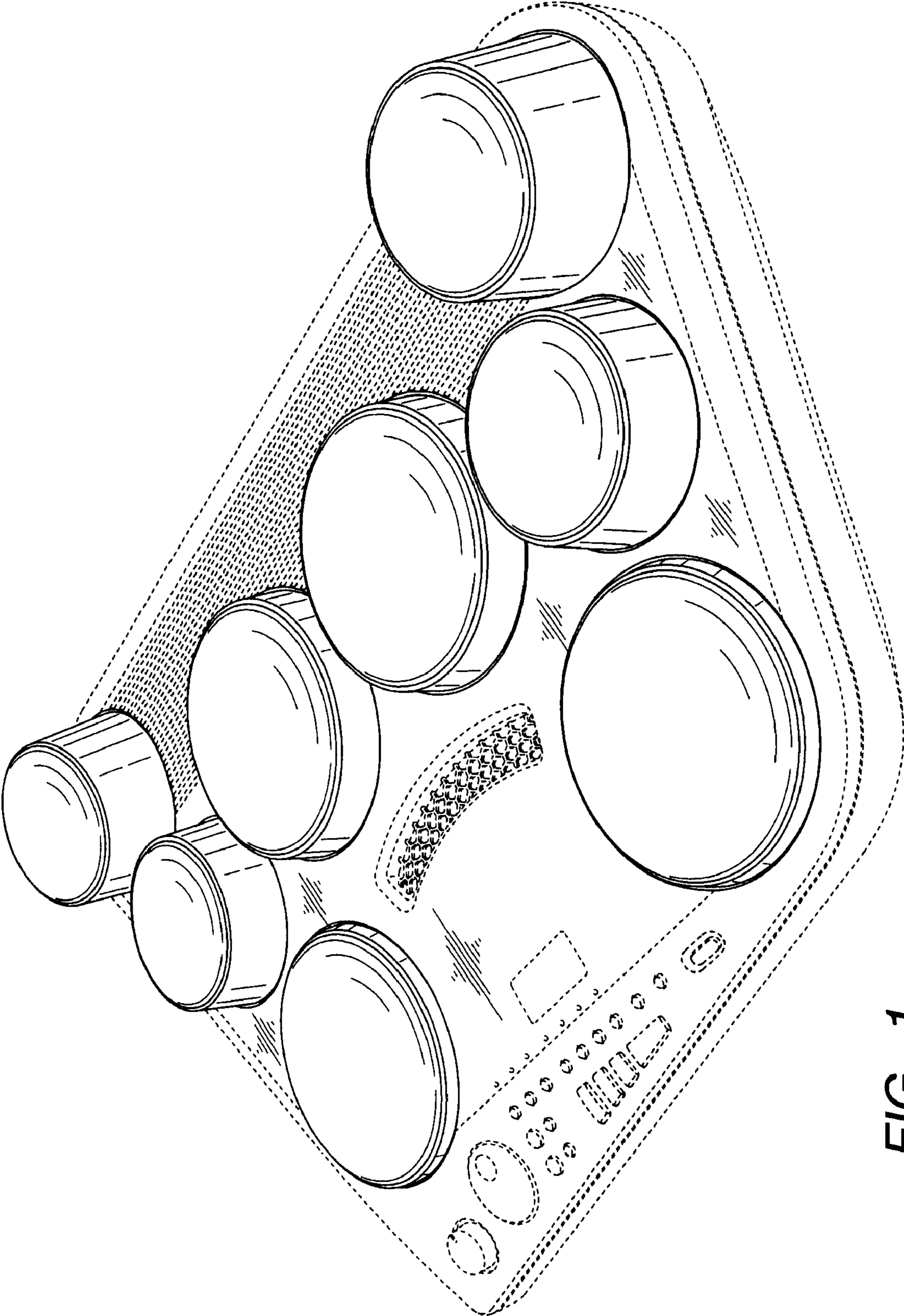


FIG. 1

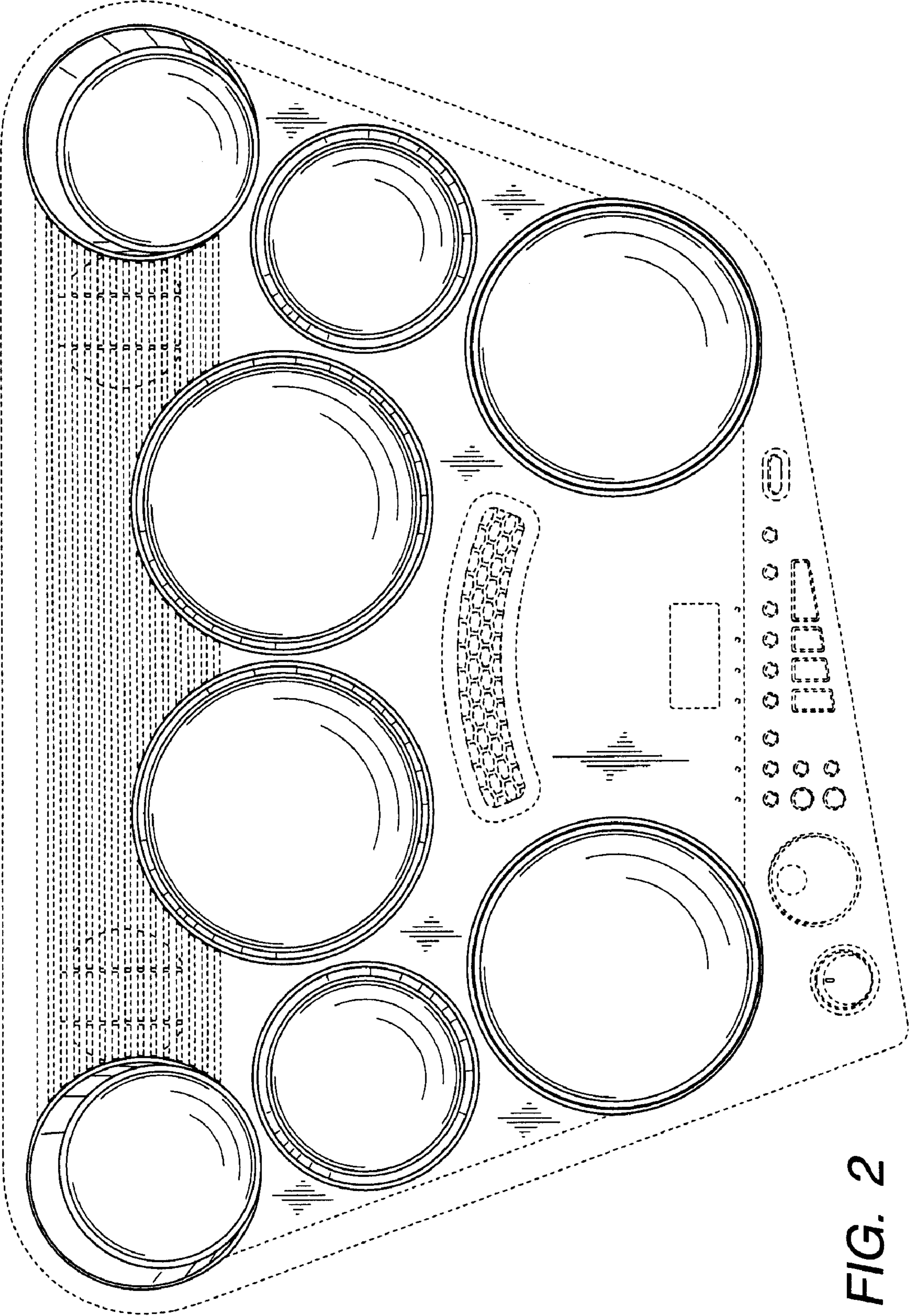


FIG. 2

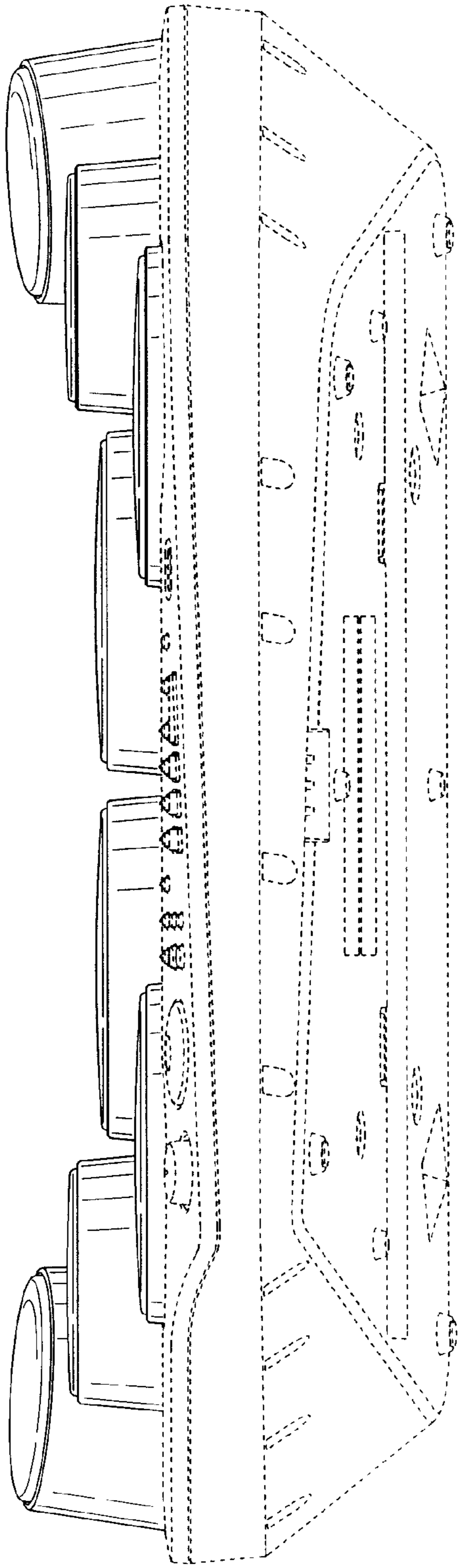


FIG. 3

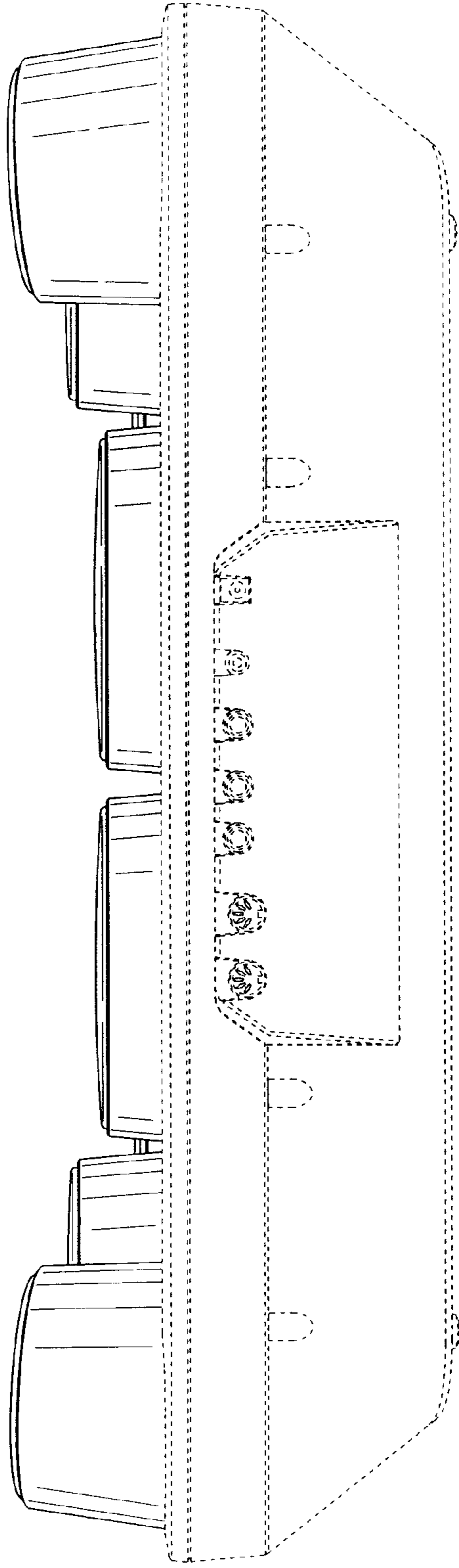


FIG. 4

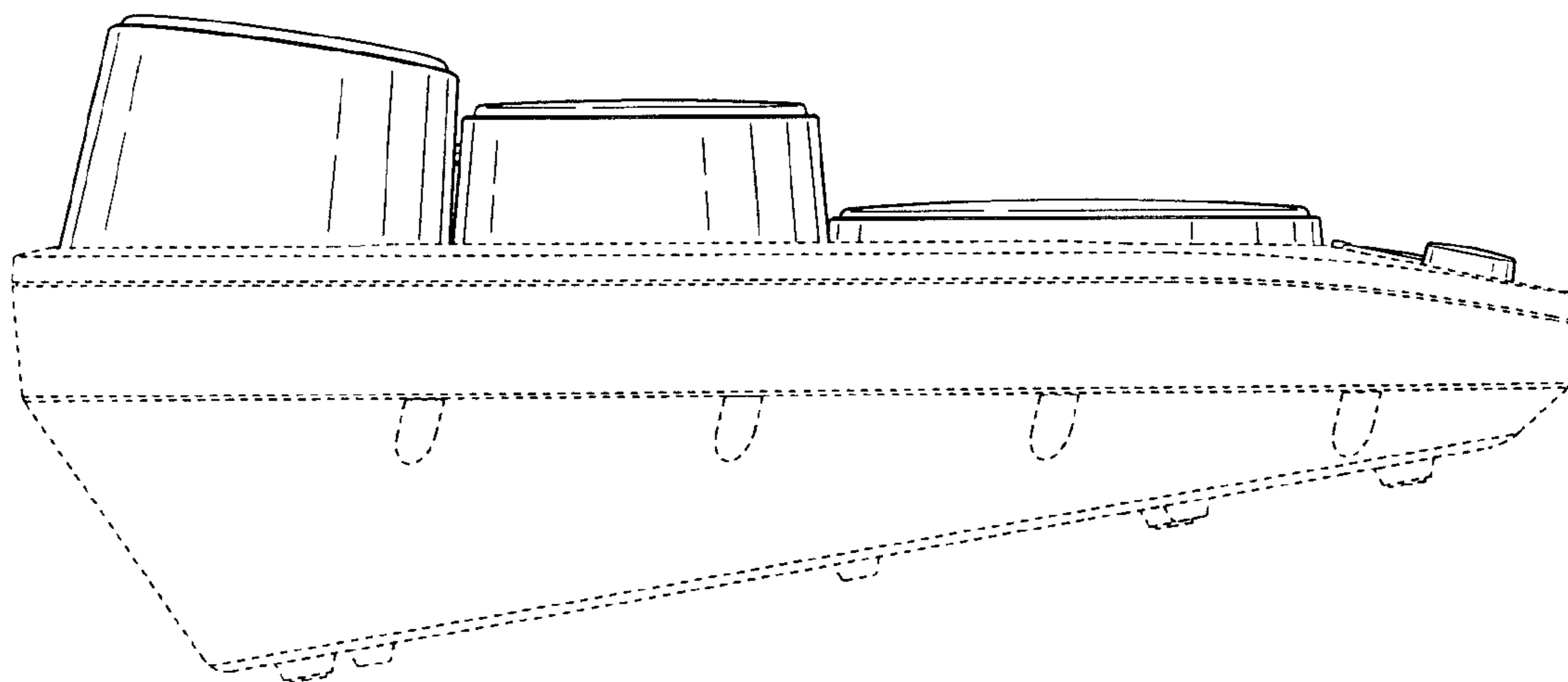


FIG. 5

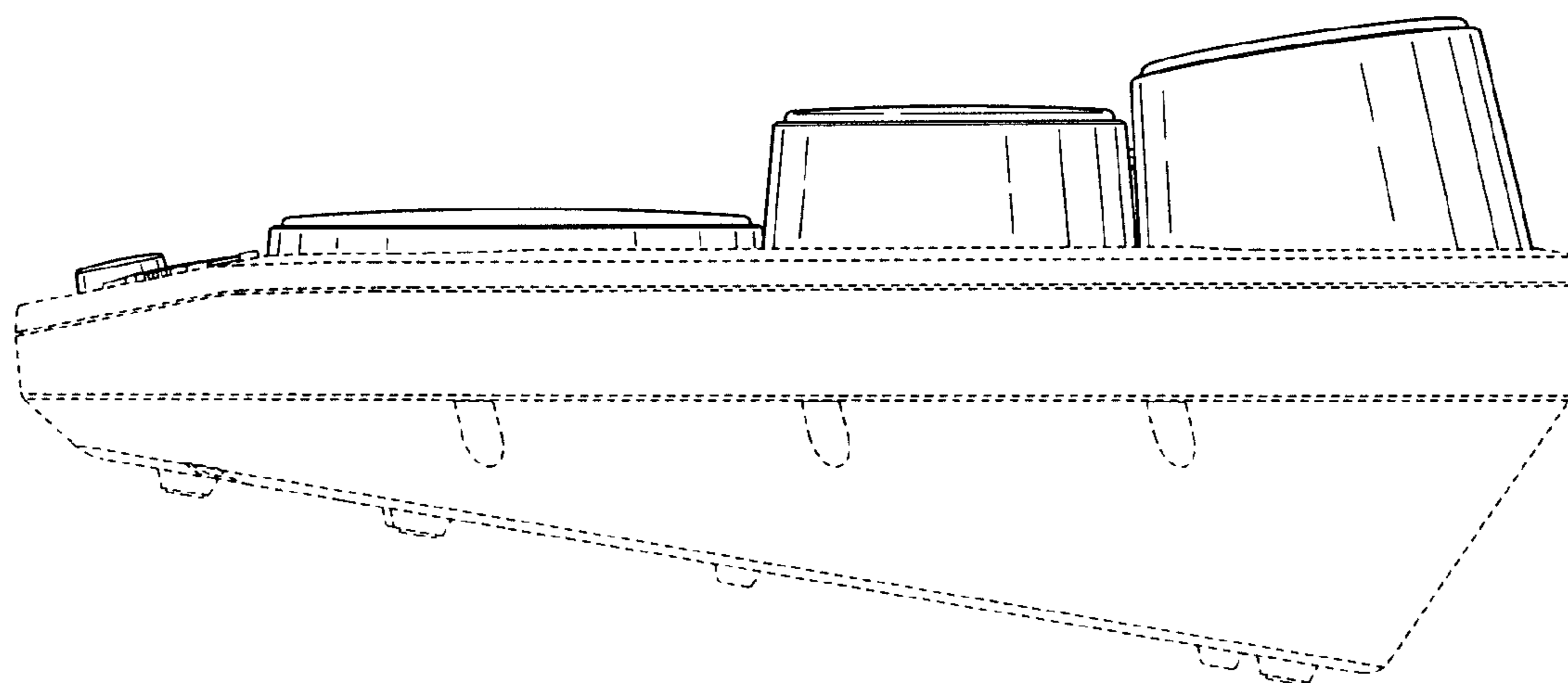


FIG. 6

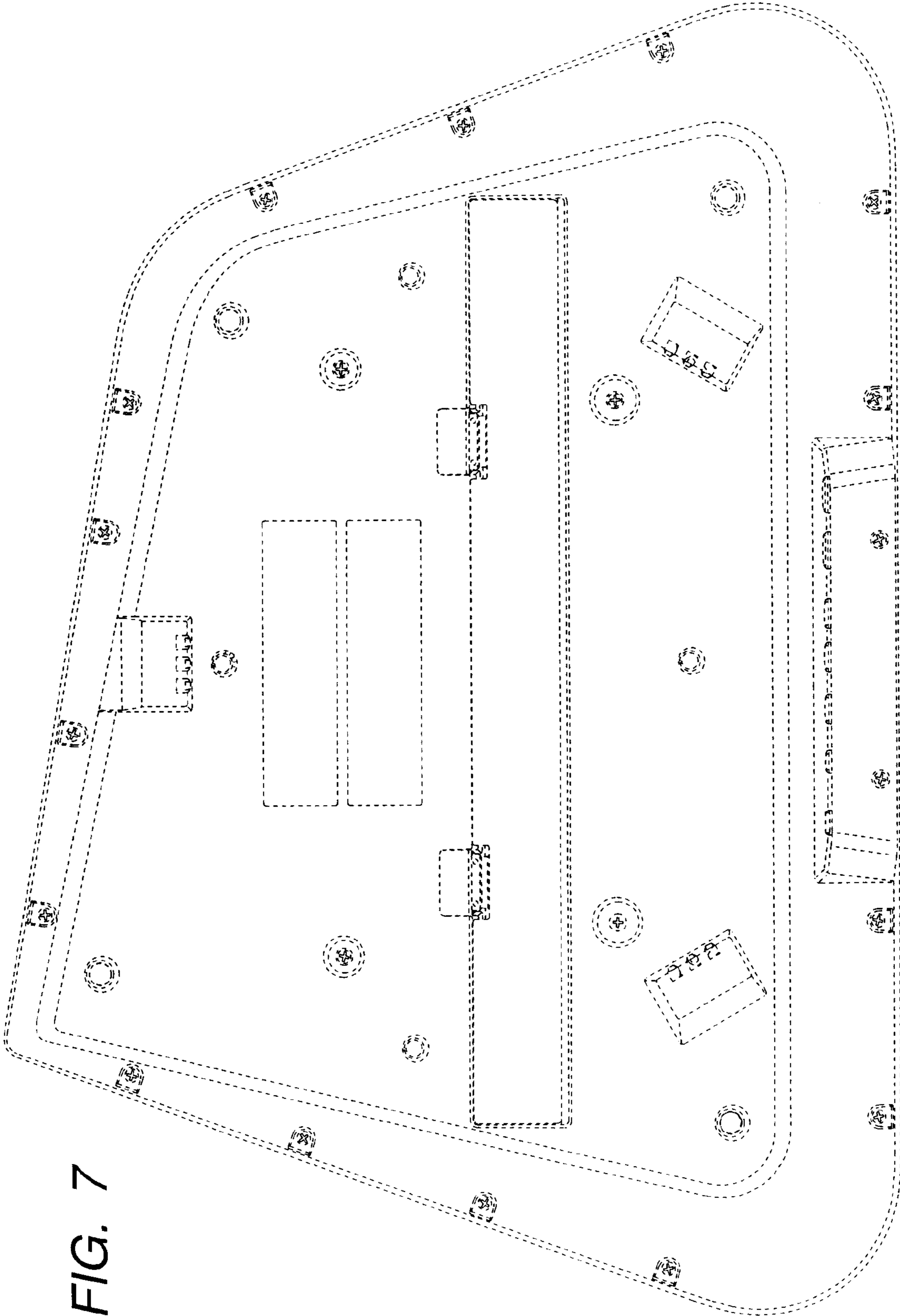


FIG. 7