



US00D614682S

(12) **United States Design Patent**
Holder

(10) **Patent No.:** **US D614,682 S**
(45) **Date of Patent:** **** Apr. 27, 2010**

(54) **WEB CAM**

(75) Inventor: **David Holder**, Salford (GB)

(73) Assignee: **Promotion and Display Technology Ltd.**, Salford (GB)

(**) Term: **14 Years**

(21) Appl. No.: **29/328,525**

(22) Filed: **Nov. 25, 2008**

(30) **Foreign Application Priority Data**

Oct. 30, 2008 (EM) 001030548

(51) **LOC (9) Cl.** **16-01**

(52) **U.S. Cl.** **D16/203**

(58) **Field of Classification Search** D16/200,
D16/202, 203, 204, 208, 218, 242; 348/373,
348/375; 396/419, 427, 535
See application file for complete search history.

(56) **References Cited**

U.S. PATENT DOCUMENTS

D446,534 S * 8/2001 Zimmer D16/203
D506,215 S * 6/2005 Lin et al. D16/218
D515,609 S * 2/2006 Heatherly et al. D16/242

D559,883 S * 1/2008 Nakamura D16/218
D570,390 S * 6/2008 Goto D16/208
2005/0024526 A1 * 2/2005 Wang 348/373
2007/0297788 A1 * 12/2007 Wahl et al. 396/419

* cited by examiner

Primary Examiner—Adir Aronovich

(74) *Attorney, Agent, or Firm*—Trego, Hines & Ladenheim, PLLC

(57) **CLAIM**

I claim the ornamental design for web cam, as shown and described.

DESCRIPTION

FIG. 1 is a perspective view of a web cam, showing my new design;

FIG. 2 is a top plan view of the web cam of FIG. 1;

FIG. 3 is a bottom plan view of the web cam of FIG. 1;

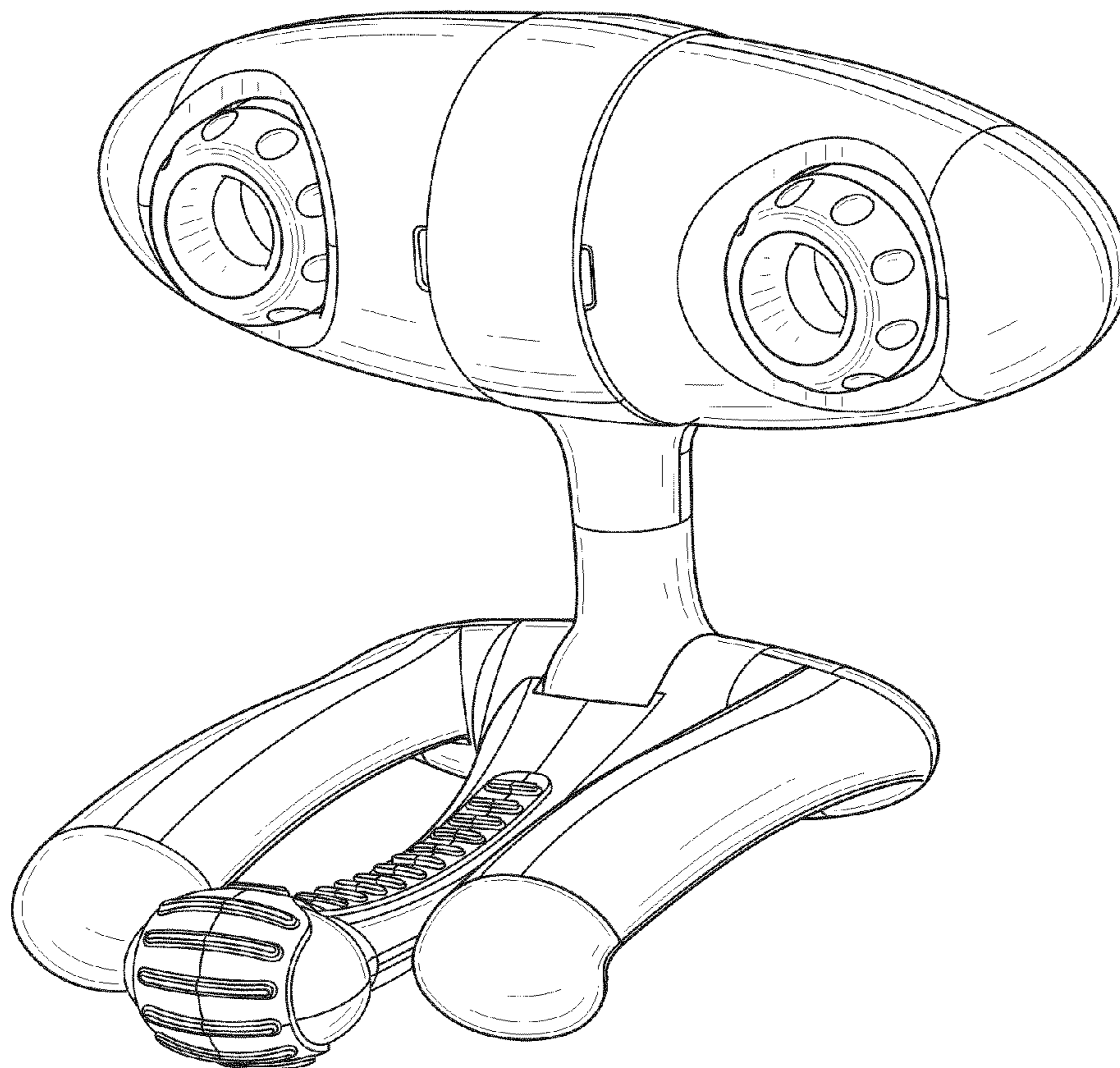
FIG. 4 is a left side elevational view of the web cam of FIG. 1;

FIG. 5 is a front elevational view of the web cam of FIG. 1;

FIG. 6 is a right side elevational view of the web cam of FIG. 1; and,

FIG. 7 is a rear elevational view of the web cam of FIG. 1.

1 Claim, 7 Drawing Sheets



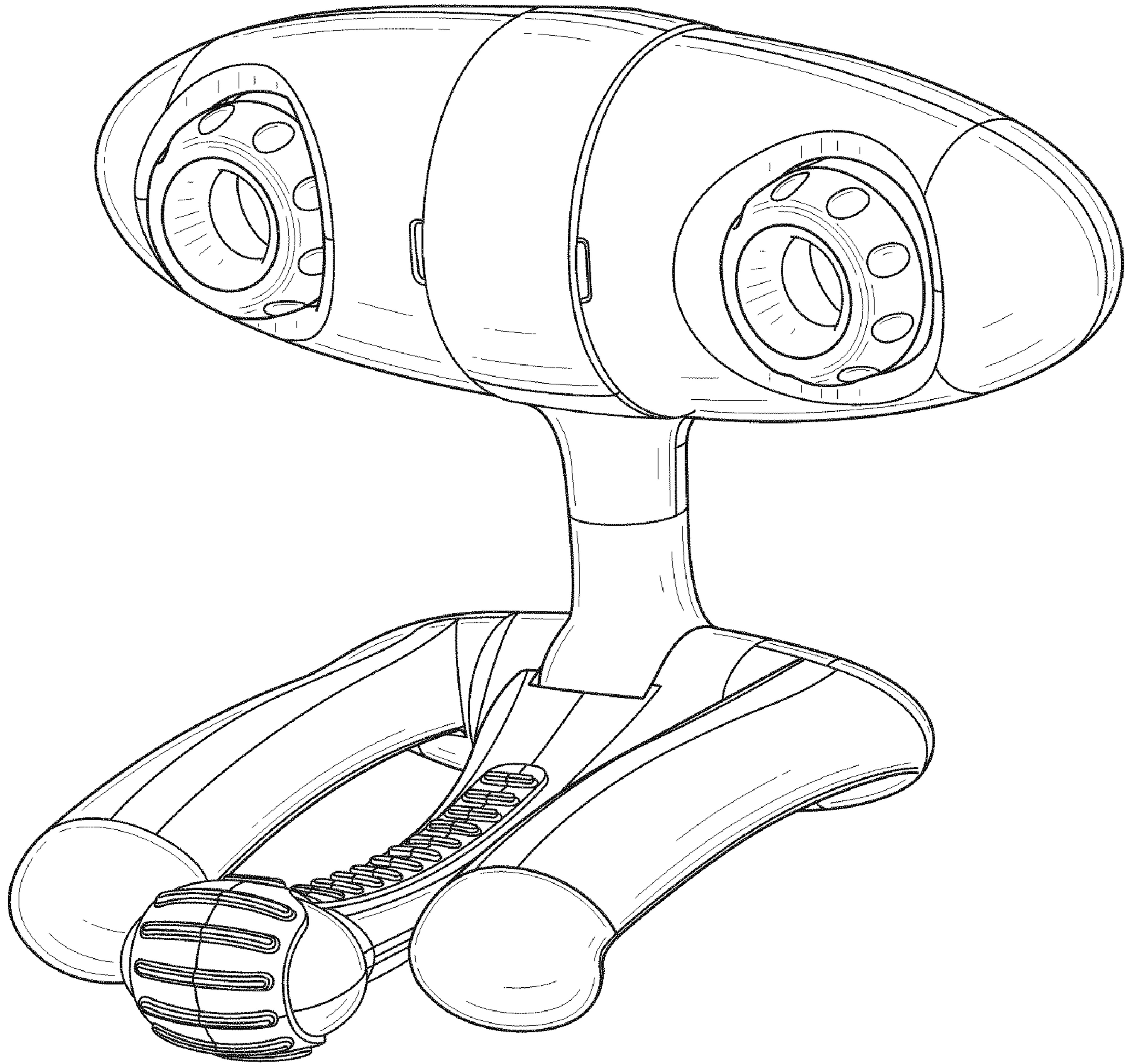


FIG. 1

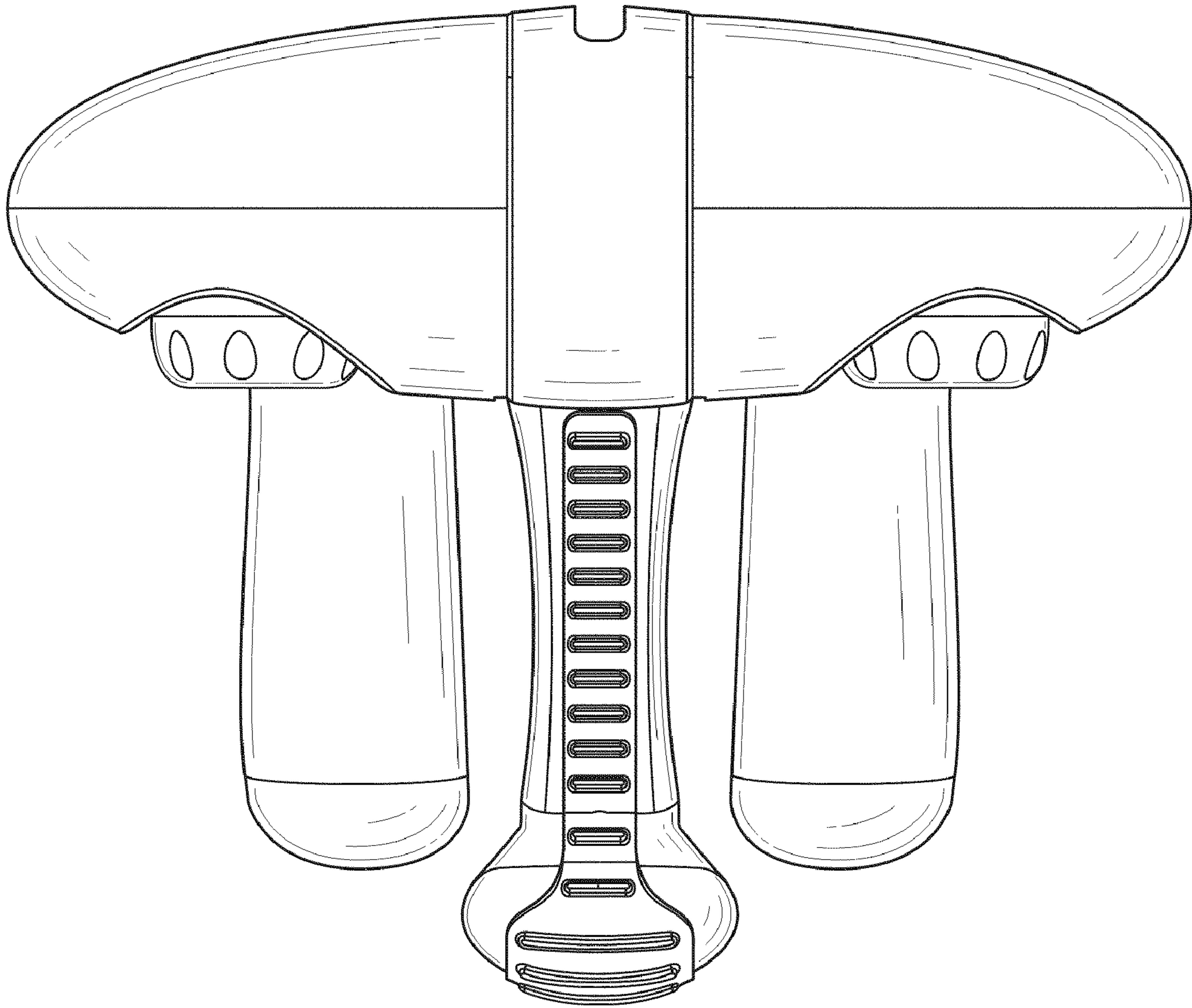


FIG. 2

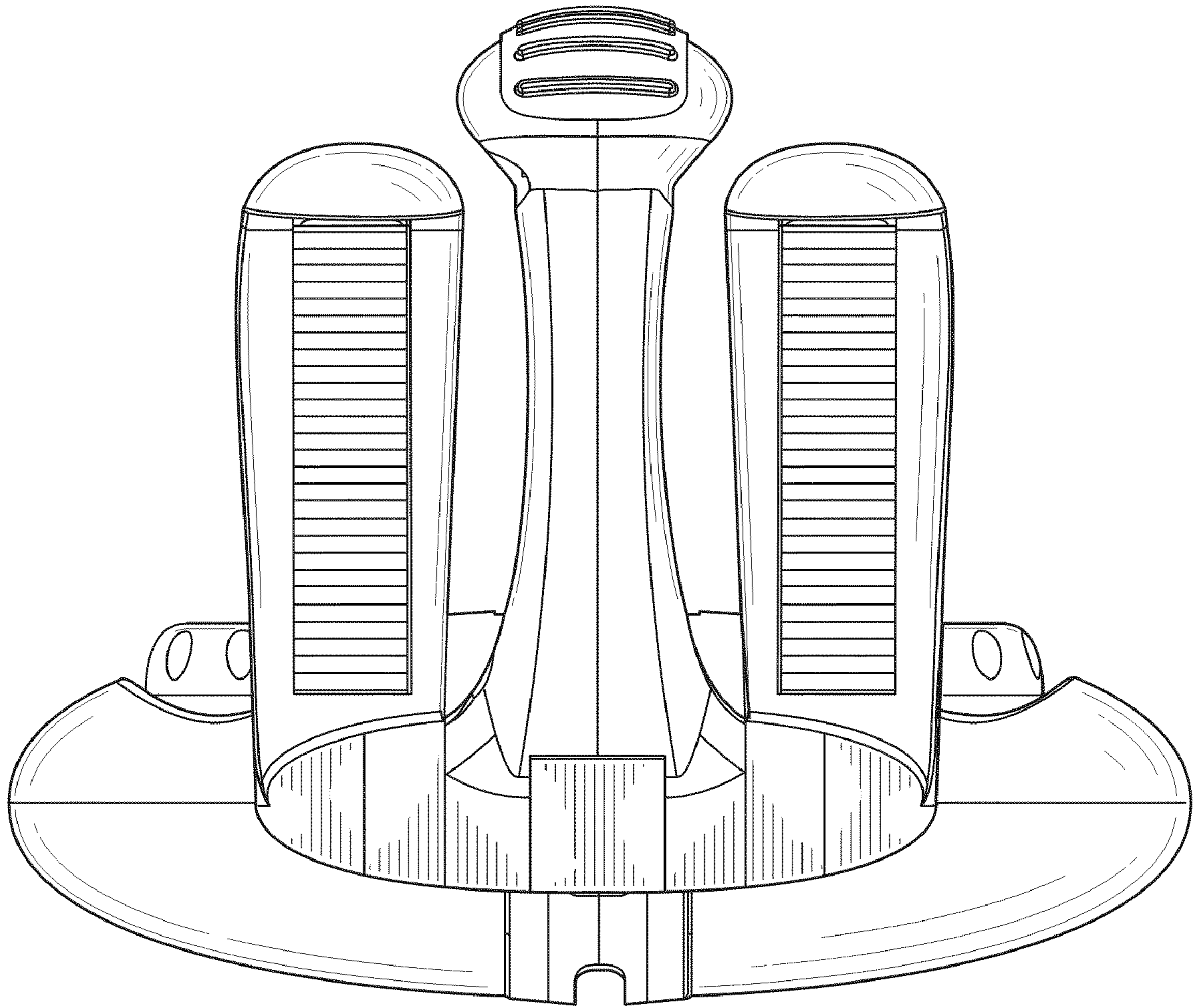


FIG. 3

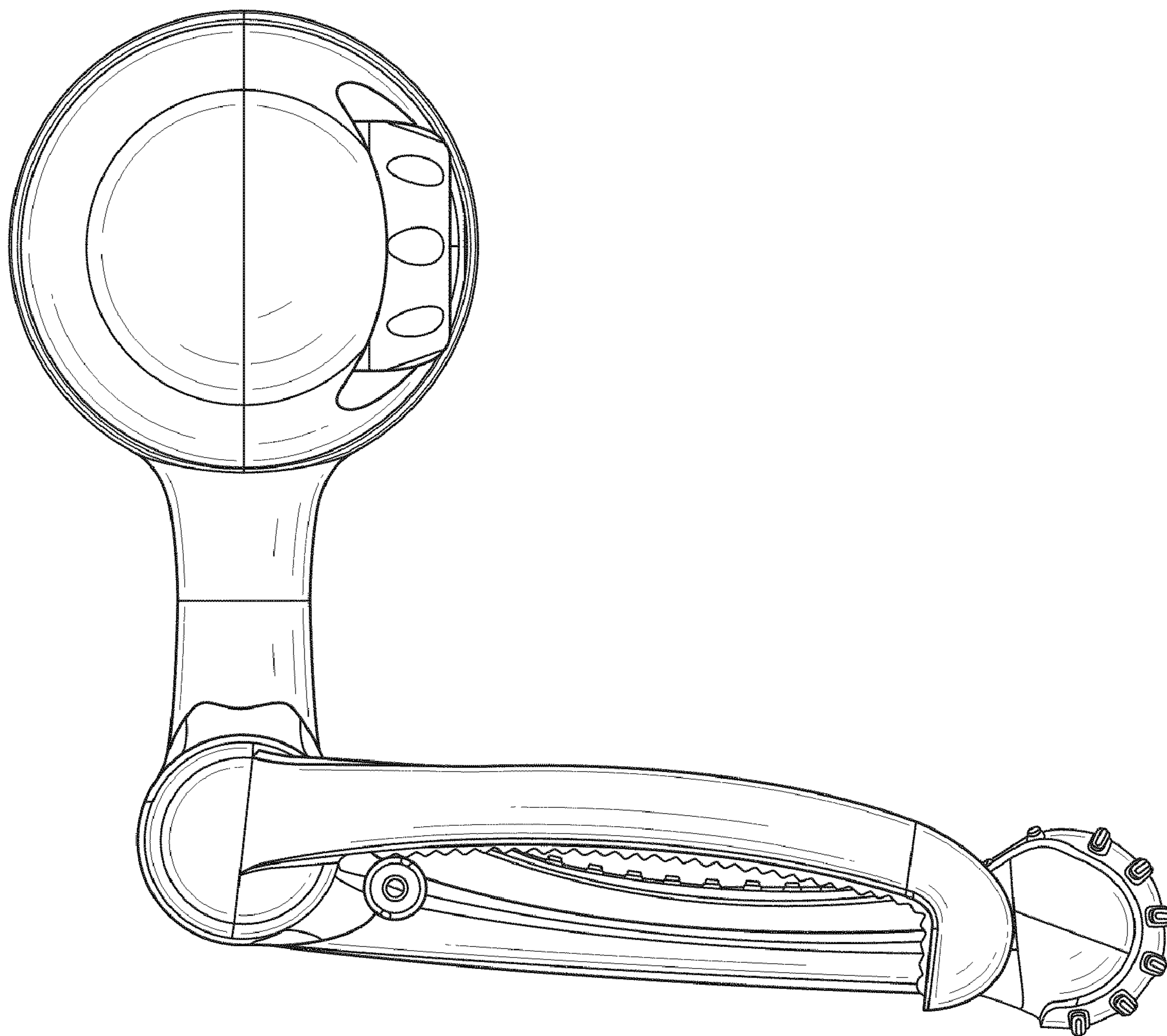


FIG. 4

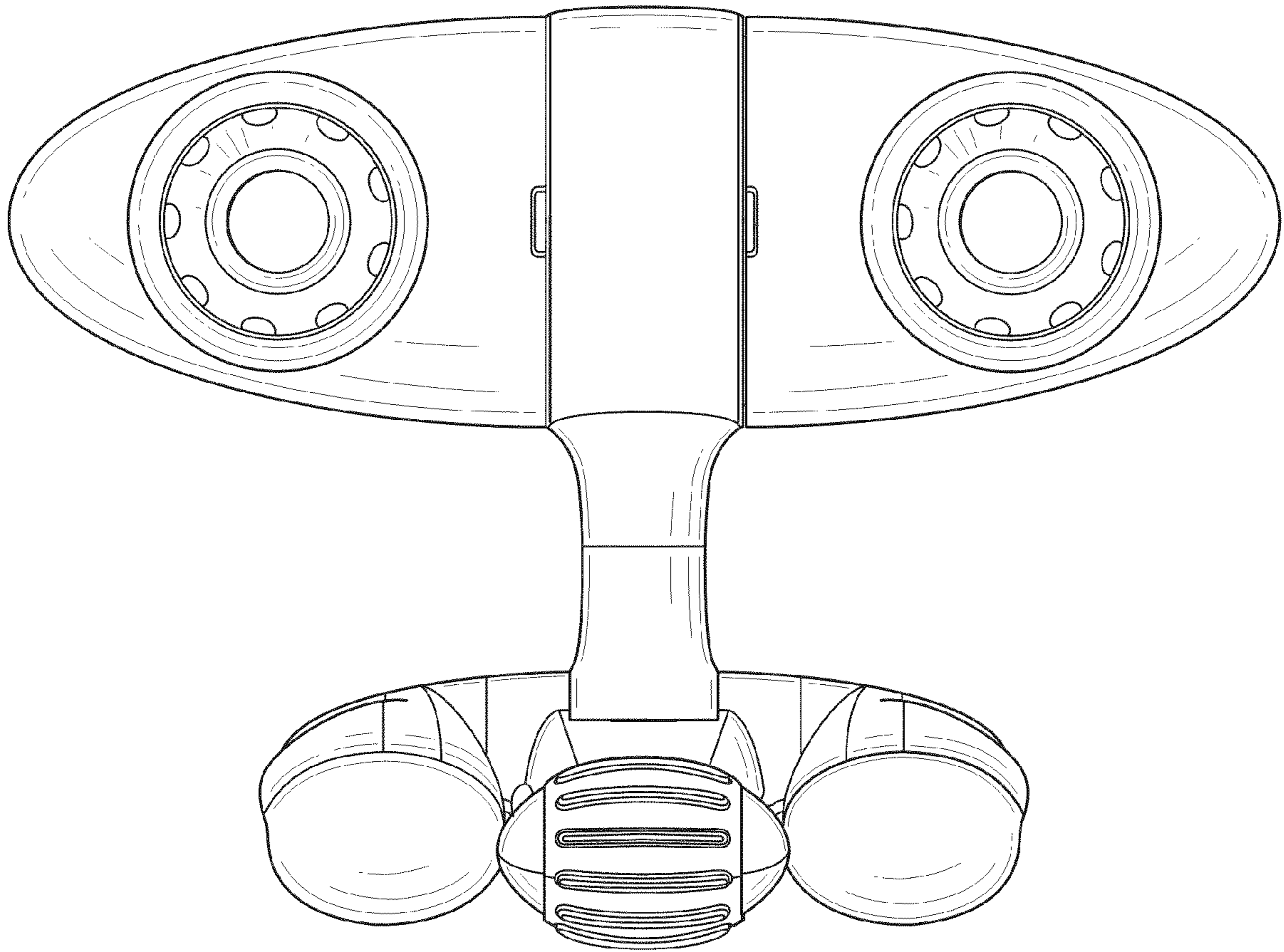


FIG. 5

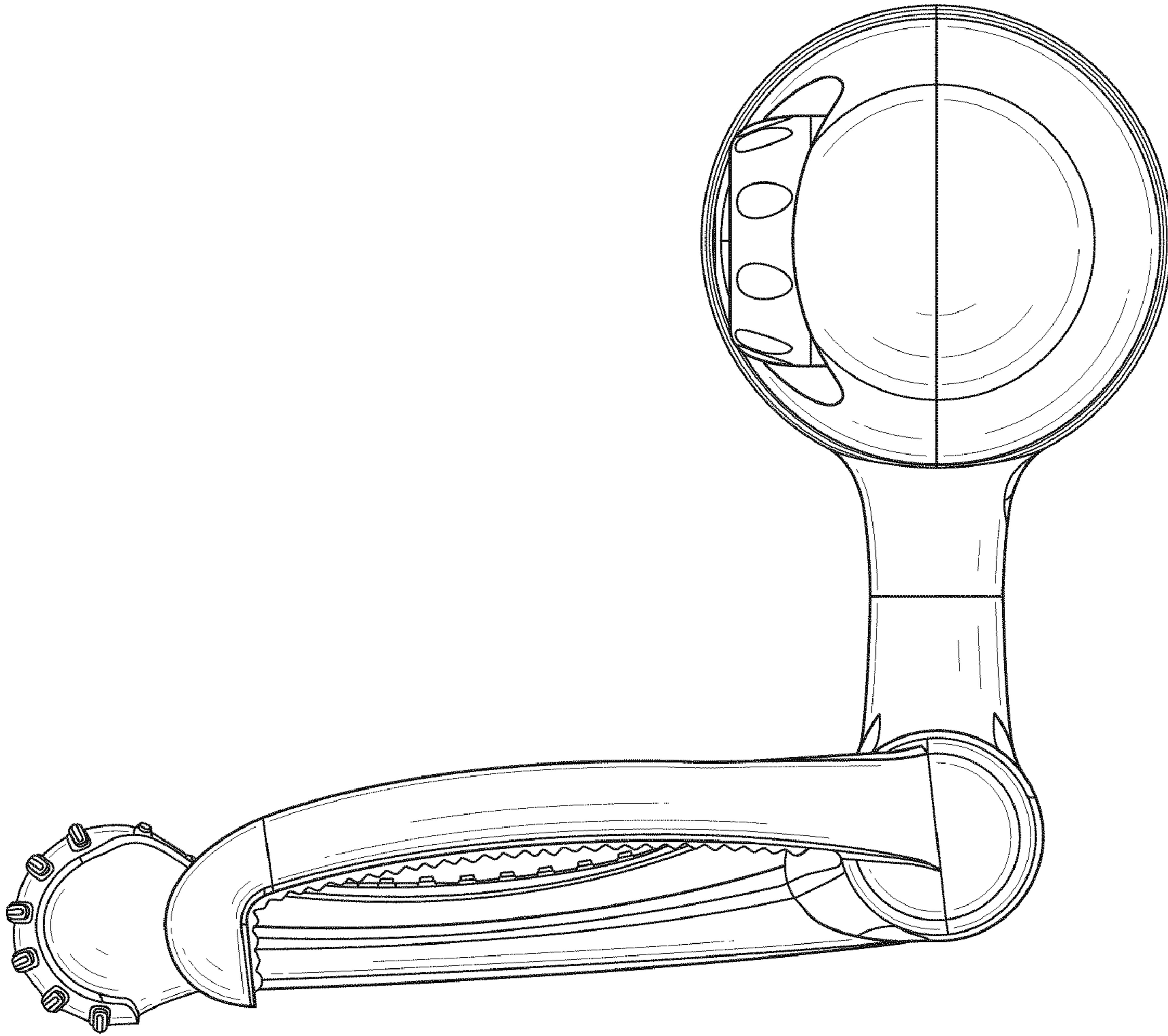


FIG. 6

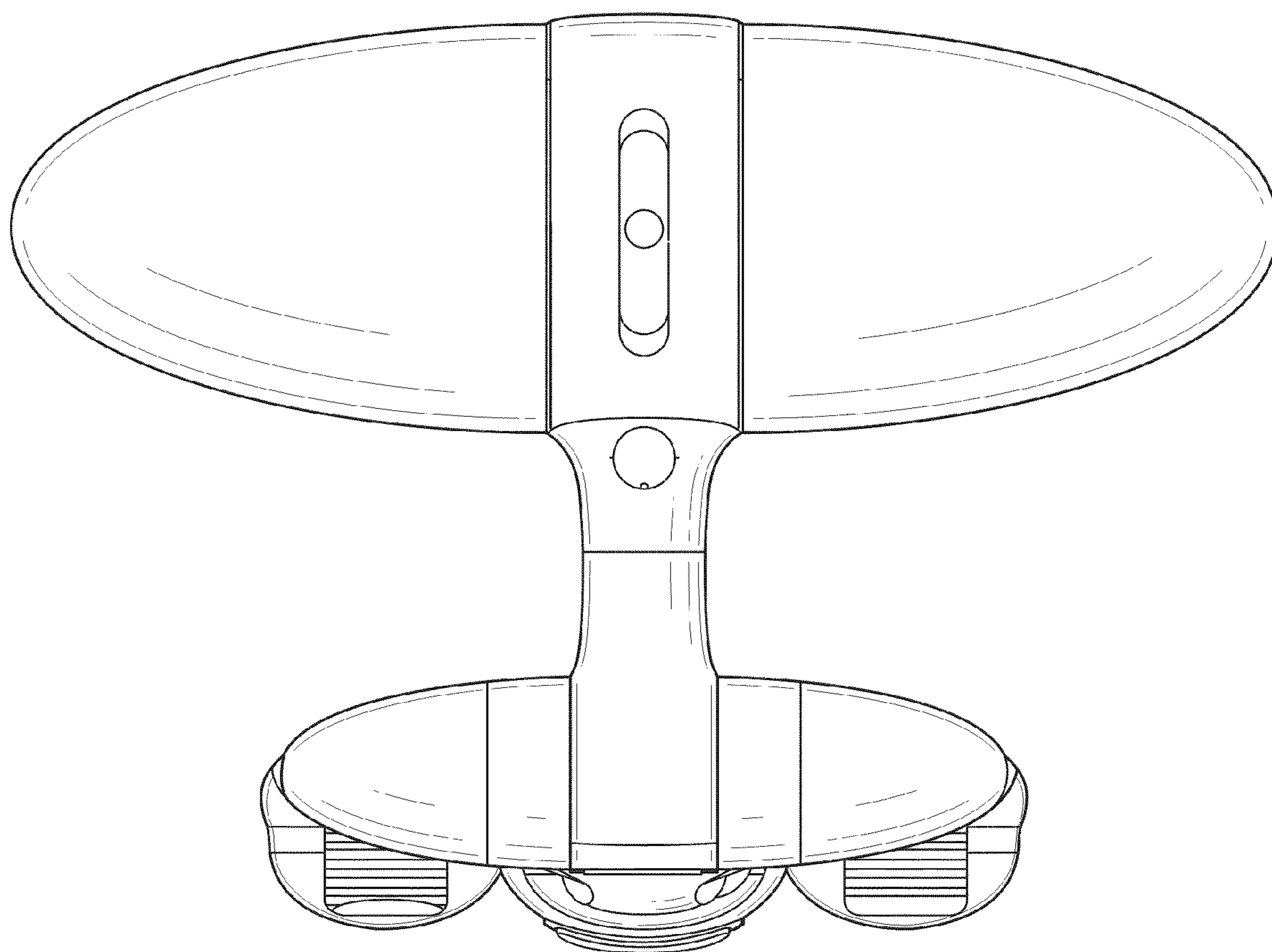


FIG. 7