



US00D614681S

(12) **United States Design Patent**  
**Chan**

(10) **Patent No.:** **US D614,681 S**

(45) **Date of Patent:** **\*\* Apr. 27, 2010**

(54) **FLOOR MAGNIFIER**

(75) Inventor: **Wai Hong Chan**, Tuen Mun (HK)

(73) Assignee: **Sunrich Manufactory Ltd.**, Tuen Mun,  
N.T. (HK)

(\*\*) Term: **14 Years**

(21) Appl. No.: **29/334,045**

(22) Filed: **Mar. 19, 2009**

(51) **LOC (9) Cl.** ..... **16-06**

(52) **U.S. Cl.** ..... **D16/135**

(58) **Field of Classification Search** ..... D16/130,  
D16/134, 135; D26/60, 61, 62; D6/300,  
D6/309, 329; 359/801, 802, 805, 806, 808,  
359/809, 813, 818, 819; 362/253; 248/127,  
248/121, 523, 511, 224.7

See application file for complete search history.

(56) **References Cited**

**U.S. PATENT DOCUMENTS**

1,619,307 A \* 3/1927 Offenbach ..... 248/224.7  
4,190,322 A \* 2/1980 Wortley ..... 359/668  
D276,940 S \* 12/1984 Andersson ..... D16/135  
D394,272 S \* 5/1998 Hon ..... D16/135  
6,088,173 A \* 7/2000 Mendelsohn et al. .... 359/802

D442,371 S \* 5/2001 Eberts ..... D6/312  
D521,673 S \* 5/2006 Wu ..... D26/65  
D538,830 S \* 3/2007 Yip et al. .... D16/135  
D566,872 S \* 4/2008 Michel ..... D26/62  
7,400,459 B2 \* 7/2008 Welch ..... 359/802  
D608,925 S \* 1/2010 Hodgson ..... D26/62

\* cited by examiner

*Primary Examiner*—Paula Greene

(74) *Attorney, Agent, or Firm*—Lackenbach Siegel, LLP;  
Andrew F. Young

(57) **CLAIM**

The ornamental design for a floor magnifier, as shown and described.

**DESCRIPTION**

FIG. 1 is a front elevation view of a floor magnifier showing my new design;

FIG. 2 is a top view thereof;

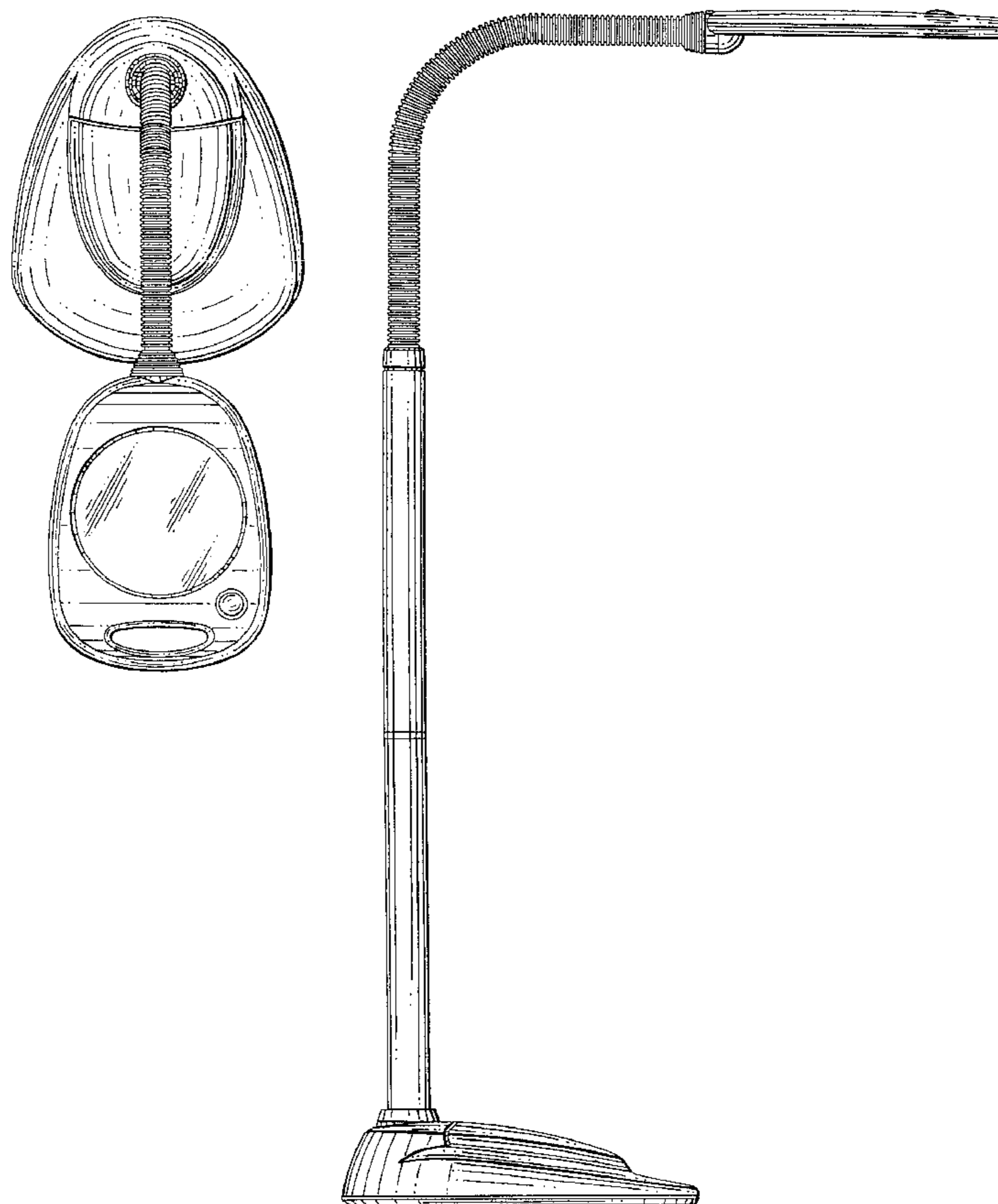
FIG. 3 is a right side view thereof;

FIG. 4 is a left side view thereof;

FIG. 5 is a back view thereof; and,

FIG. 6 is a bottom plan view thereof.

**1 Claim, 4 Drawing Sheets**



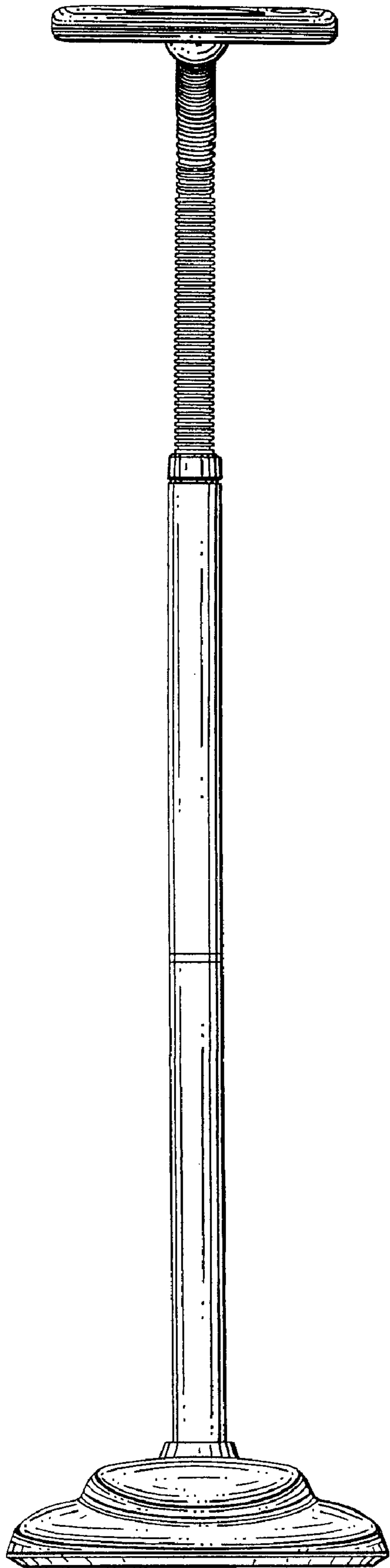


FIG. 1

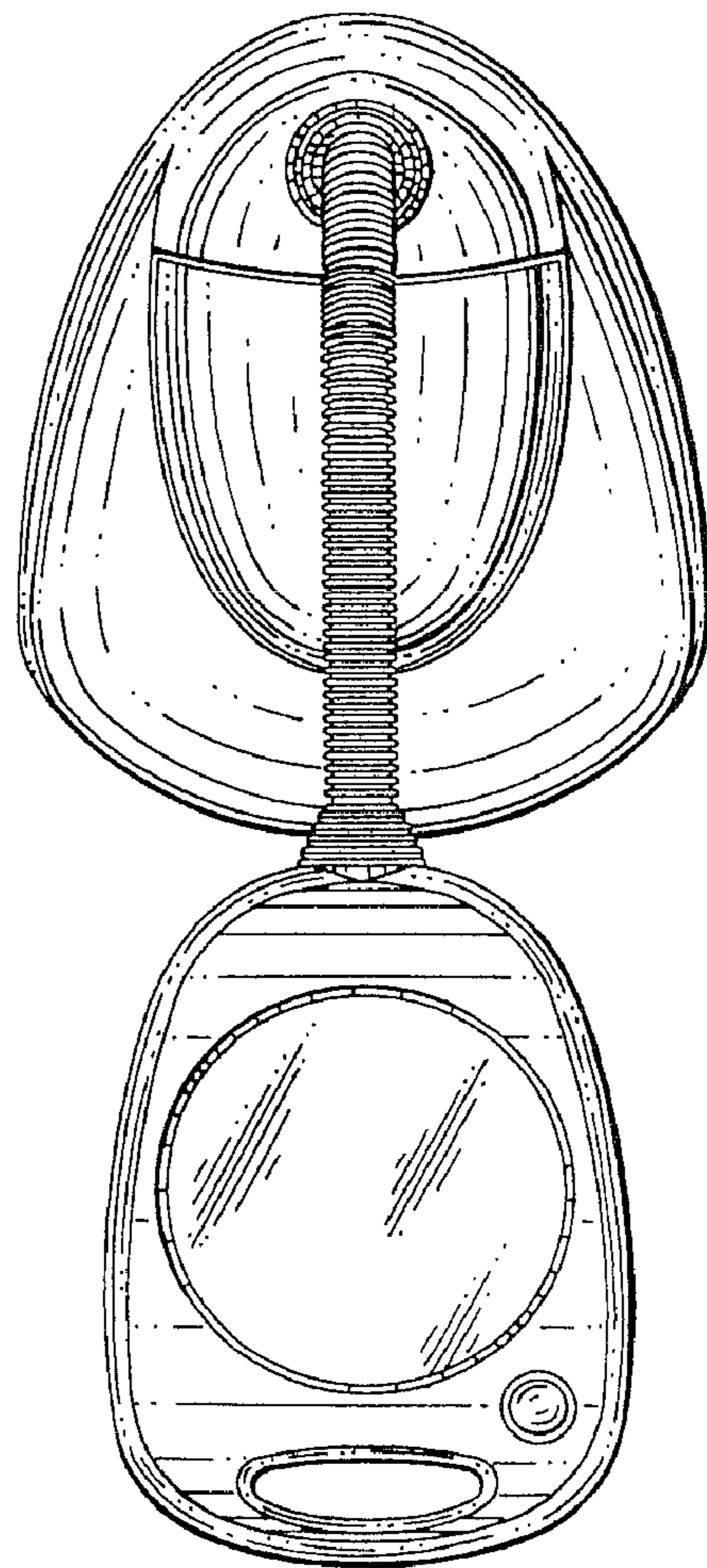


FIG. 2

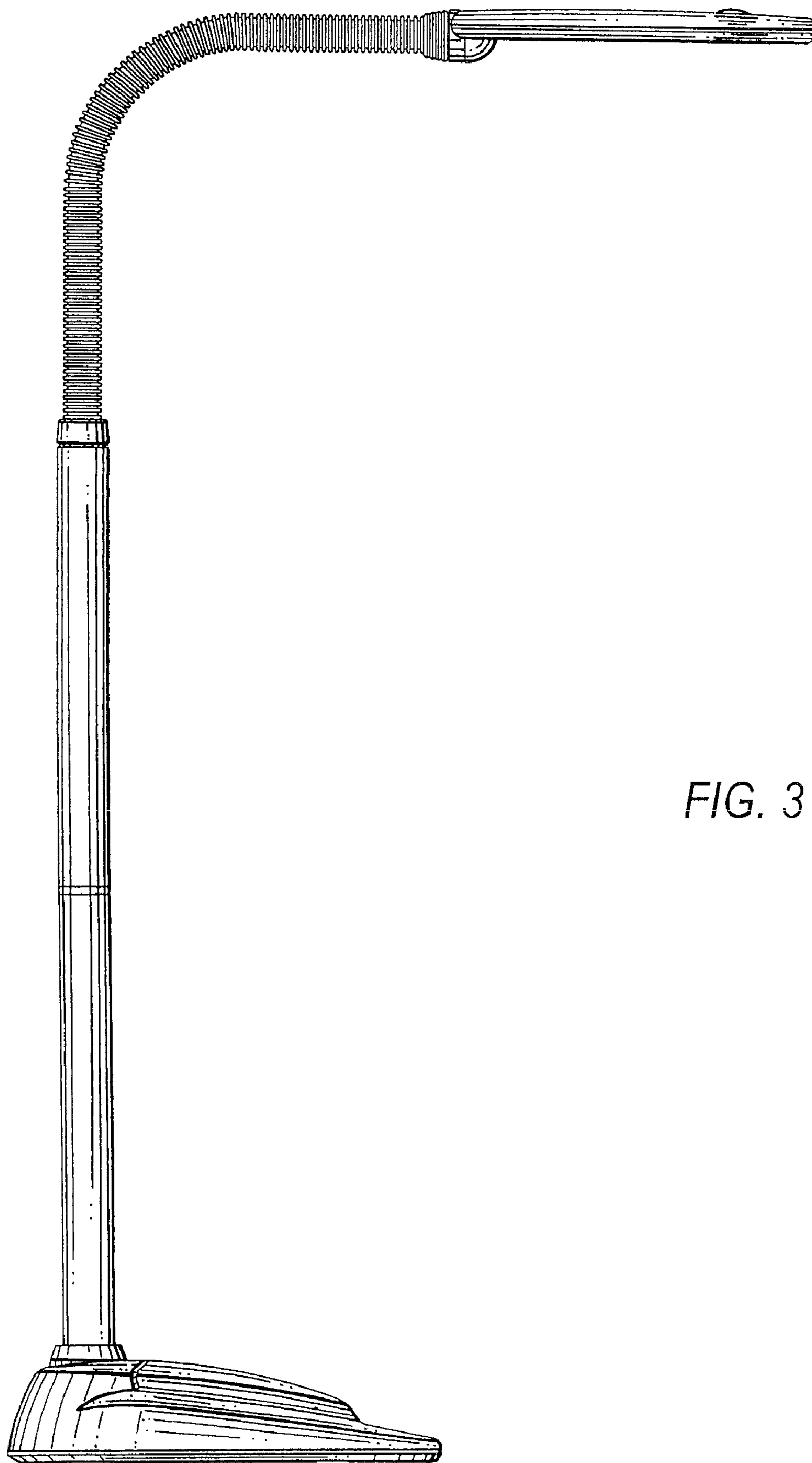


FIG. 3

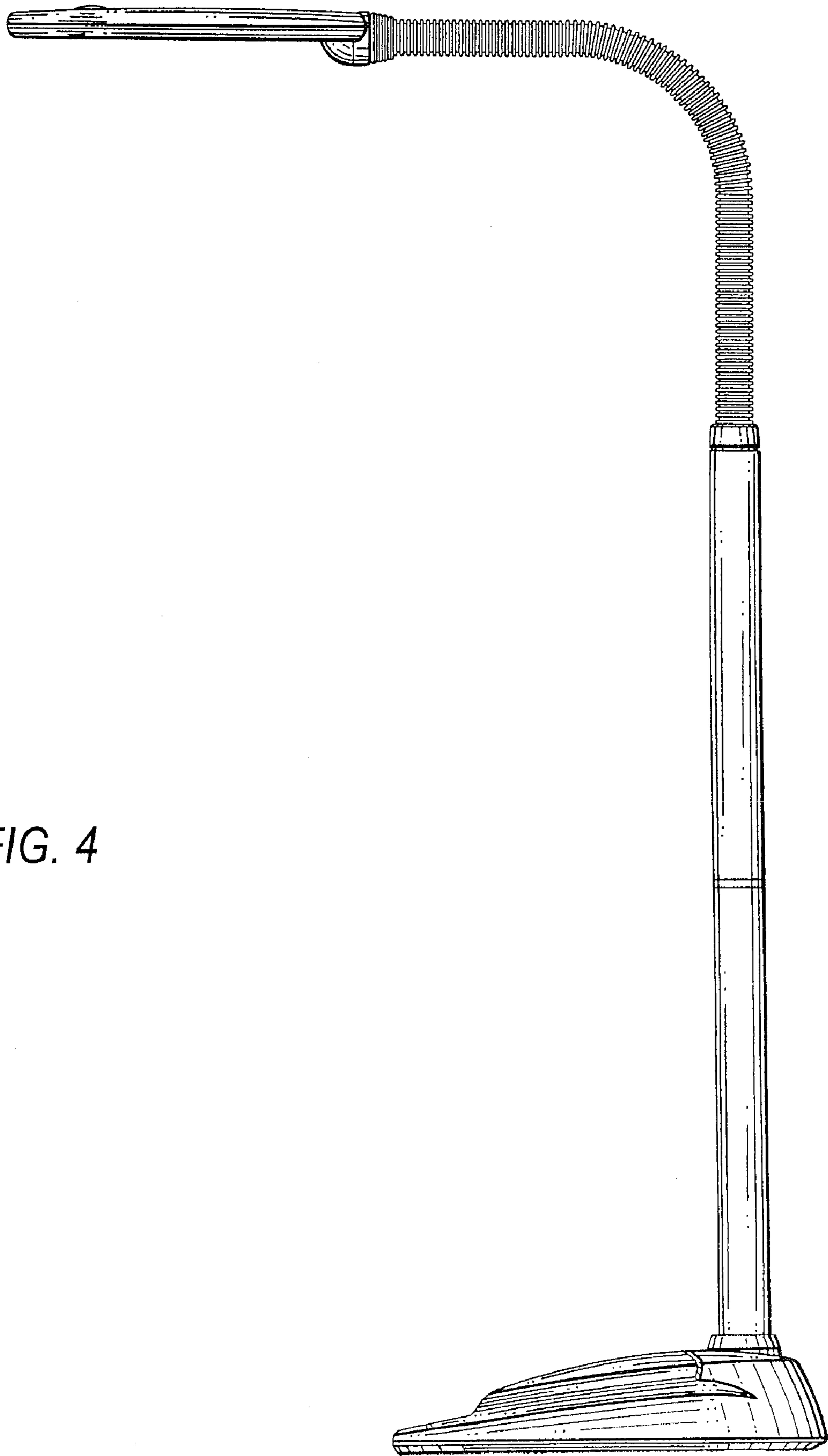


FIG. 4

FIG. 5

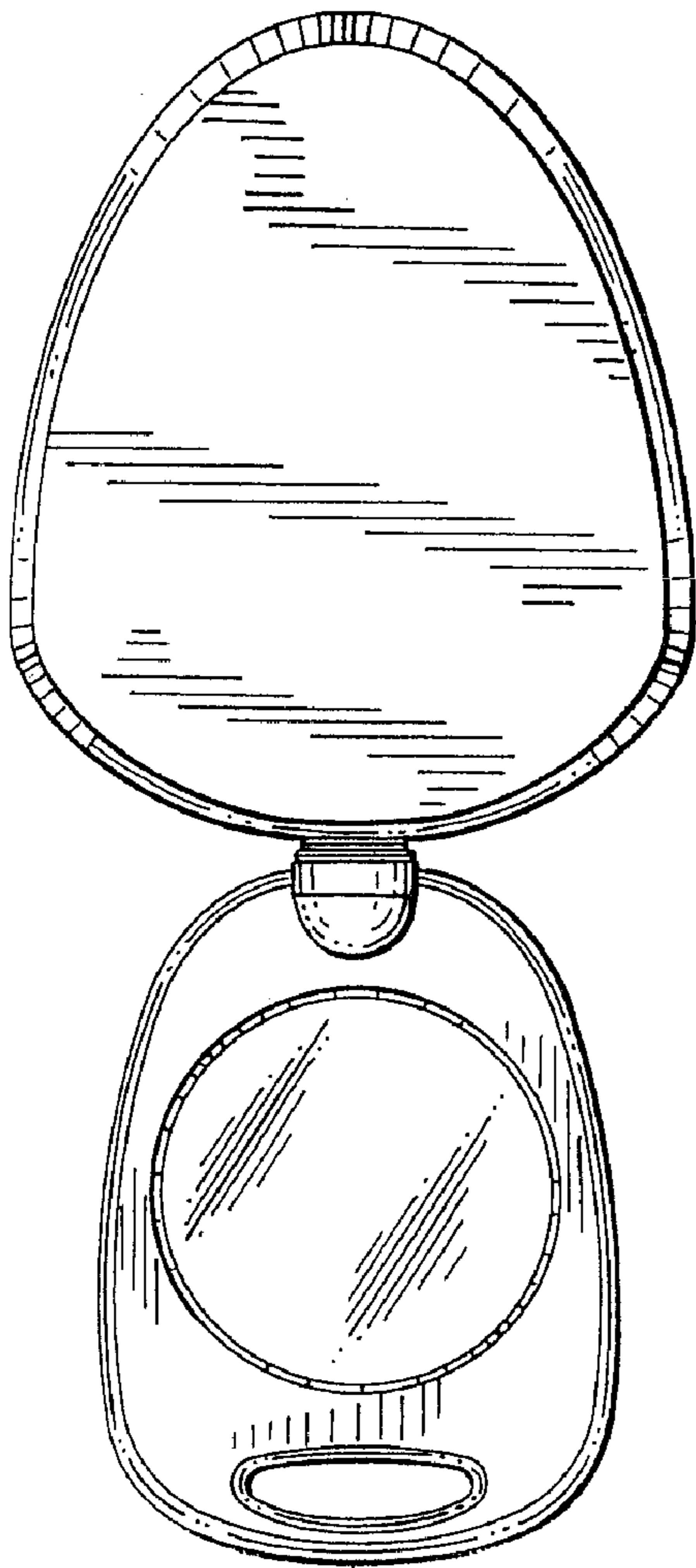
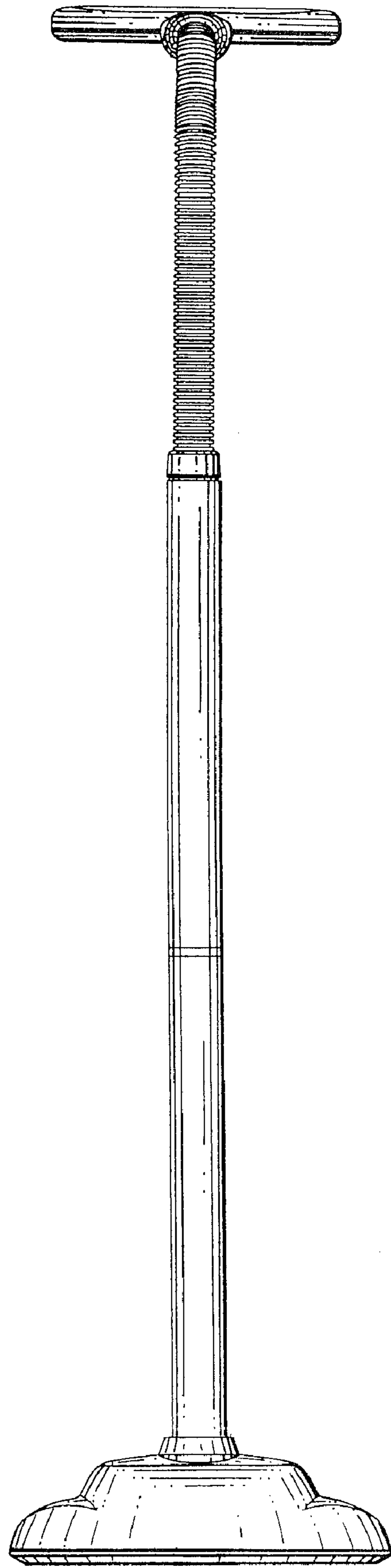


FIG. 6