

US00D614680S

(12) **United States Design Patent**
Tanbour et al.

(10) **Patent No.:** **US D614,680 S**
(45) **Date of Patent:** **** Apr. 27, 2010**

(54) **SIGHT GLASS AND FRAME**

(75) Inventors: **Emadeddin Y. Tanbour**, Johnson City, TN (US); **Chad A. Hembree**, Whitesburg, TN (US)

(73) Assignee: **AOS Holding Company**, Wilmington, DE (US)

(**) Term: **14 Years**

(21) Appl. No.: **29/340,951**

(22) Filed: **Jul. 28, 2009**

(51) **LOC (9) Cl.** **16-06**

(52) **U.S. Cl.** **D16/134; D6/300**

(58) **Field of Classification Search** D6/300-314;
D16/134, 132, 135, 130; D8/382, 394; D21/330;
40/777, 780, 782, 785, 790, 721; 403/401;
359/793, 894; 49/463

See application file for complete search history.

(56) **References Cited**

U.S. PATENT DOCUMENTS

2,450,330	A *	9/1948	De Giers	49/463
3,935,656	A *	2/1976	Pritchard	40/790
4,282,668	A *	8/1981	Jolkovski	40/790
5,735,168	A	4/1998	Harrison		
6,439,171	B1	8/2002	McCall		
6,499,439	B1	12/2002	Kohler et al.		
6,547,558	B2	4/2003	McCall		
6,554,610	B2	4/2003	McCall		

6,694,683	B2	2/2004	Anderson et al.		
D505,018	S *	5/2005	Stravitz	D6/300
7,028,545	B2	4/2006	Gandel et al.		
D527,034	S	8/2006	Sprague		
D529,061	S	9/2006	Sprague		
D538,318	S	3/2007	Sprague		
D538,319	S	3/2007	Sprague		
D538,320	S	3/2007	Sprague		
D581,681	S *	12/2008	Goolrick	D6/314

* cited by examiner

Primary Examiner—Philip S Hyder
Assistant Examiner—Sydney R Buffalow

(74) *Attorney, Agent, or Firm*—Michael Best & Friedrich LLP

(57) **CLAIM**

We claim the ornamental design for a sight glass and frame, as shown and described.

DESCRIPTION

FIG. 1 is a perspective view of the sight glass and frame.

FIG. 2 is a front thereof.

FIG. 3 is a rear view thereof.

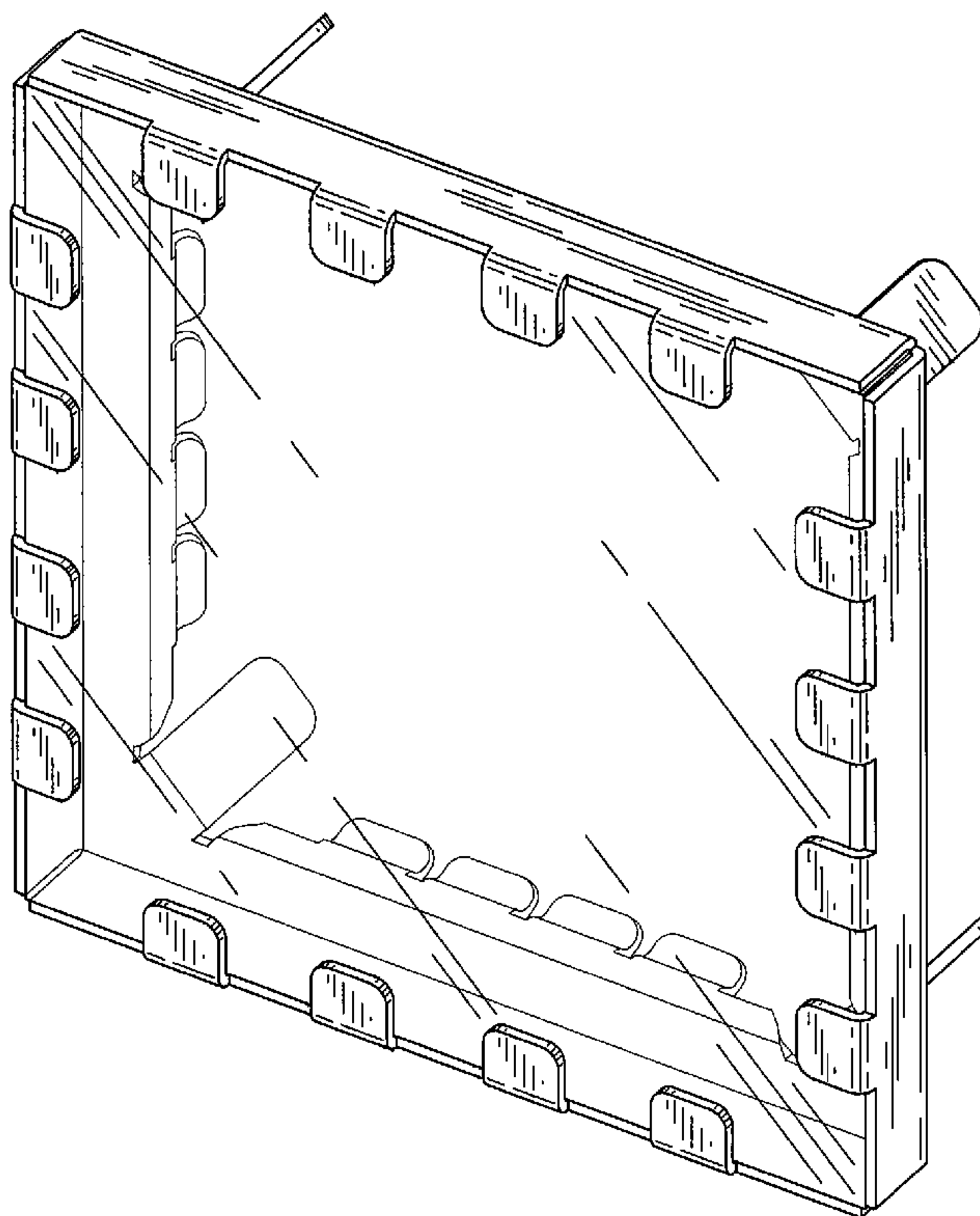
FIG. 4 is a right side view thereof.

FIG. 5 is a left side view thereof.

FIG. 6 is a top view thereof; and,

FIG. 7 is a bottom view thereof.

1 Claim, 4 Drawing Sheets



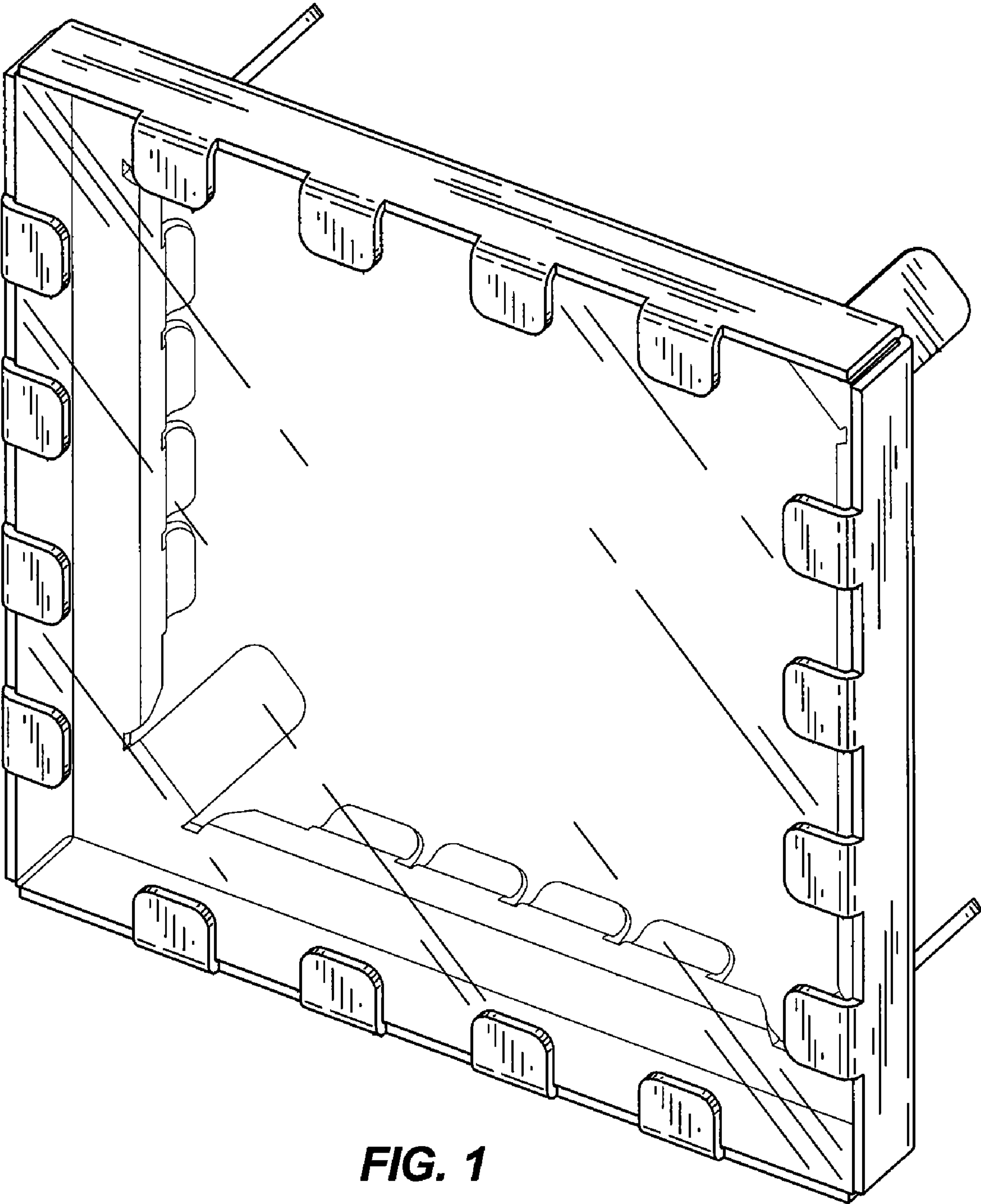


FIG. 1

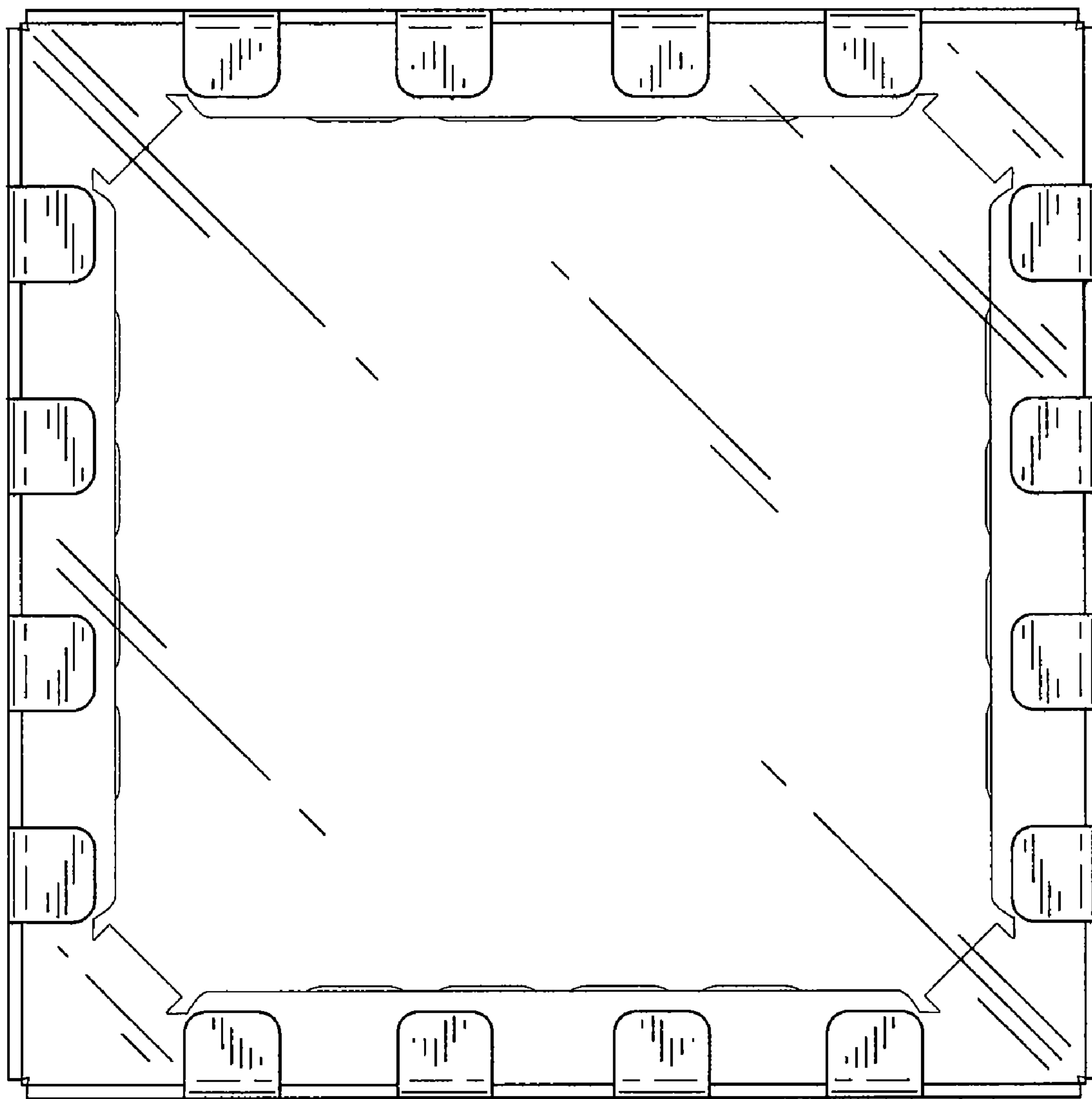


FIG. 2

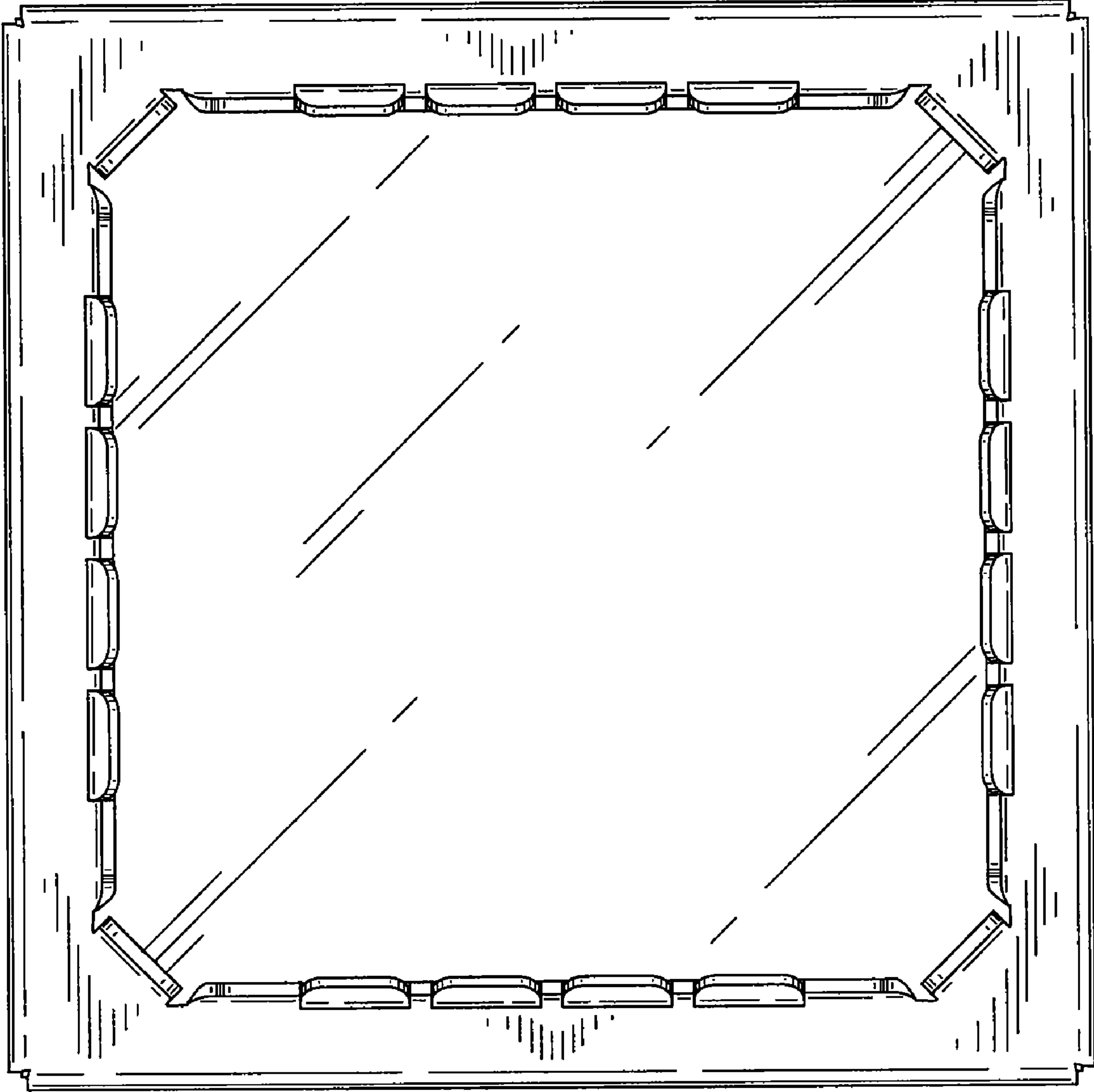


FIG. 3

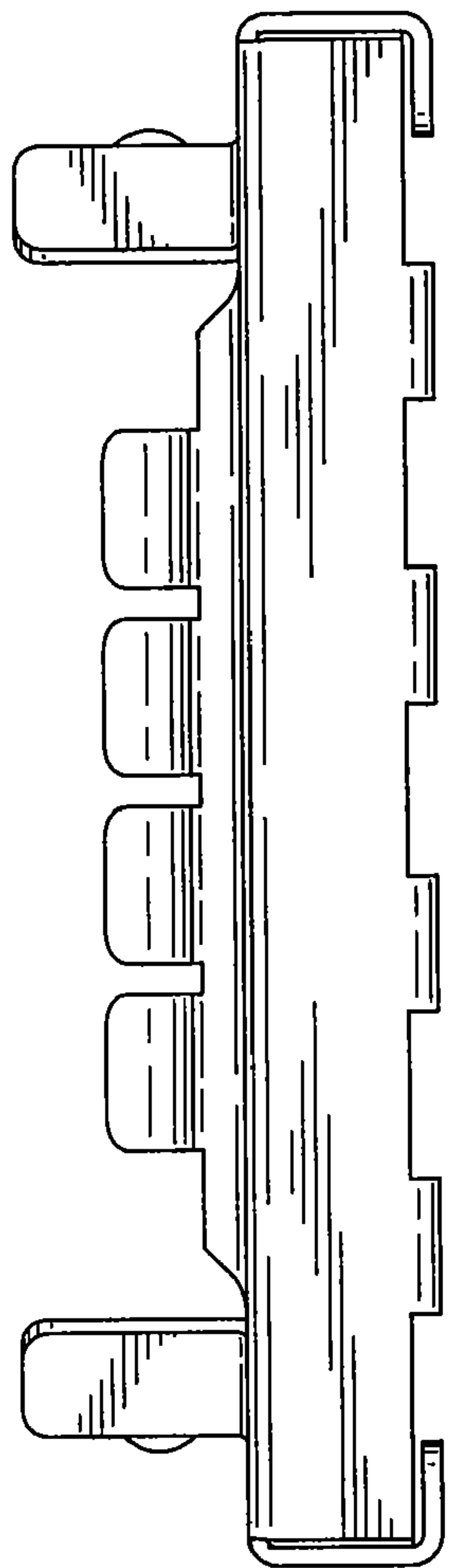


FIG. 4

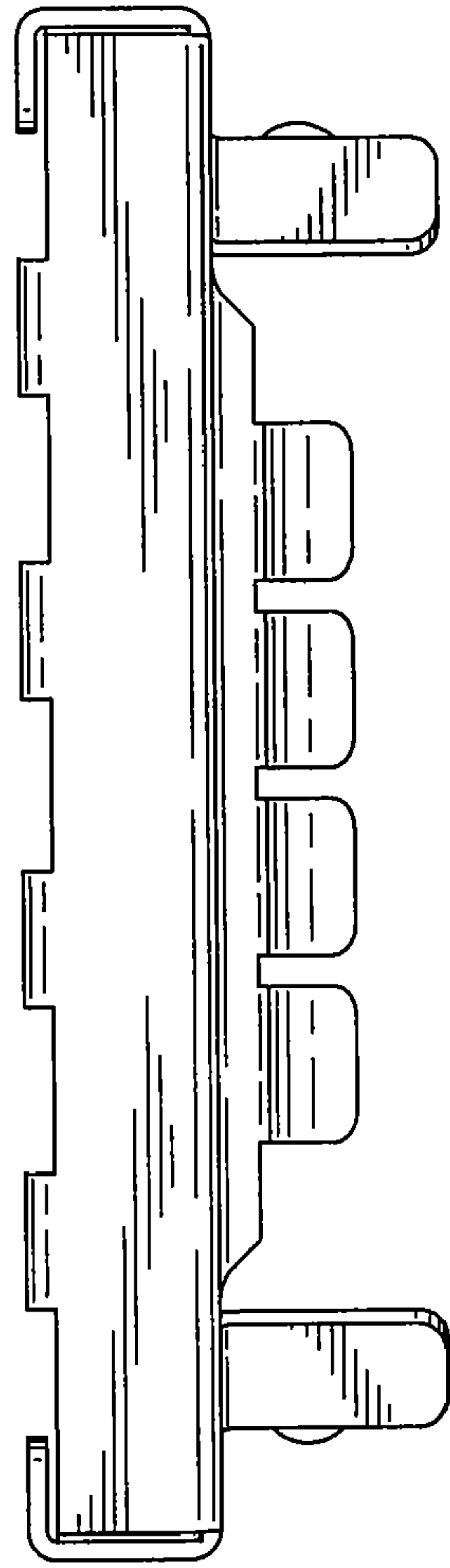


FIG. 5

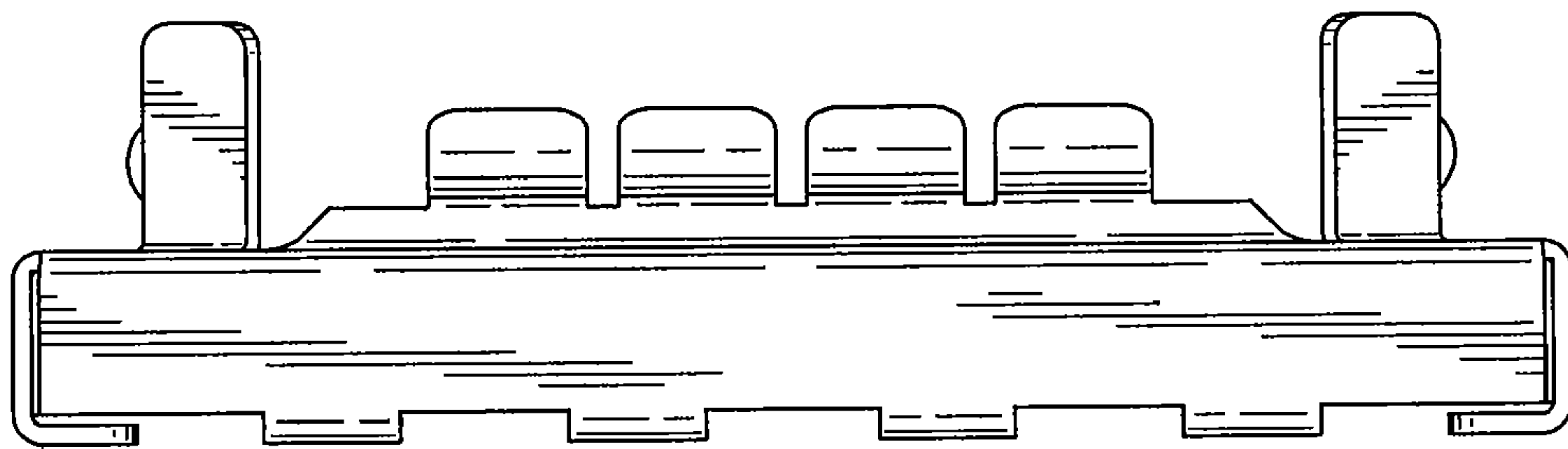


FIG. 6

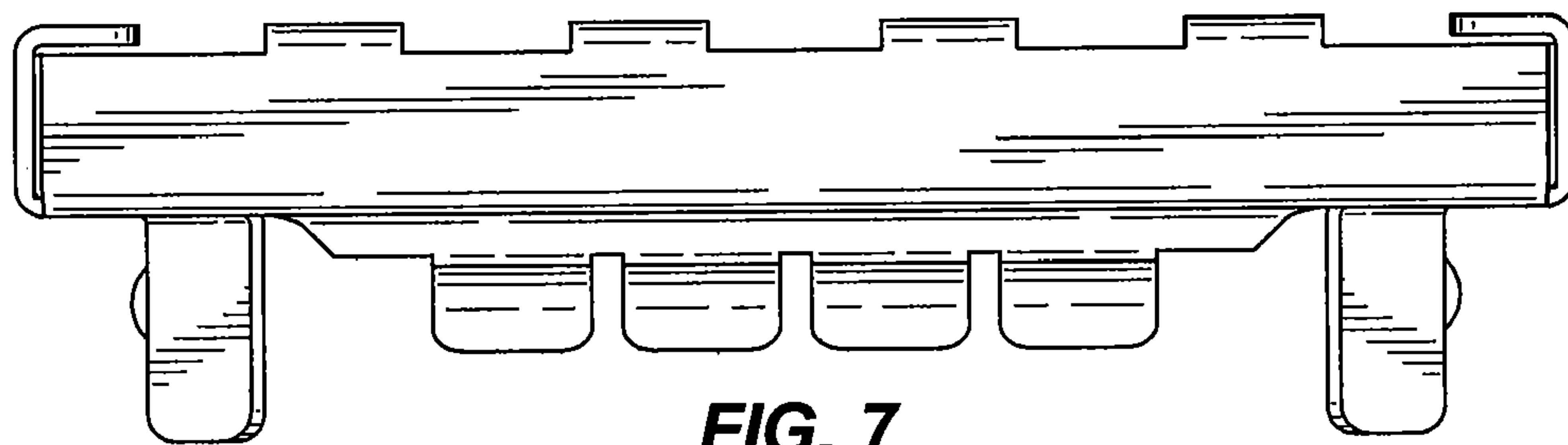


FIG. 7