



US00D614679S

(12) **United States Design Patent**
Corghi

(10) **Patent No.:** **US D614,679 S**

(45) **Date of Patent:** **** *Apr. 27, 2010**

(54) **TIRE DISMOUNTER**

(75) Inventor: **Remo Corghi**, Correggio (IT)

(73) Assignee: **Corghi S.p.A.**, Reggio Emilia, Correggio (IT)

(*) Notice: This patent is subject to a terminal disclaimer.

(**) Term: **14 Years**

(21) Appl. No.: **29/261,696**

(22) Filed: **Jun. 19, 2006**

(30) **Foreign Application Priority Data**

Apr. 26, 2006 (IT) MC2006O0020

(51) **LOC (9) Cl.** **15-99**

(52) **U.S. Cl.** **D15/199**

(58) **Field of Classification Search** D15/199;
157/1.17, 1.22, 1.24, 1.3, 14
See application file for complete search history.

(56) **References Cited**

U.S. PATENT DOCUMENTS

3,056,449	A *	10/1962	Foster	157/1.22
D244,599	S *	6/1977	Cunningham et al.	D15/199
4,173,245	A *	11/1979	Schafer	157/1.24
D267,250	S *	12/1982	Meyer	D15/130
D277,866	S *	3/1985	Hall	D15/199

5,490,552	A *	2/1996	Vignoli	157/1.24
6,056,034	A *	5/2000	Matnick	157/1.24
6,227,277	B1 *	5/2001	Corghi	157/1.24
6,527,032	B2 *	3/2003	Corghi	157/1.28
2002/0017368	A1 *	2/2002	Corghi	157/1.24
2005/0241776	A1 *	11/2005	Gonzaga	157/1.17

* cited by examiner

Primary Examiner—Antoine D. Davis

Assistant Examiner—Patricia Palasik

(74) *Attorney, Agent, or Firm*—Hodes, Pessin & Katz, P.A.

(57) **CLAIM**

The ornamental design for a tire dismounter, as shown and described.

DESCRIPTION

FIG. 1 is a front right perspective view thereof.

FIG. 2 is a front left perspective view thereof.

FIG. 3 is a left side view thereof.

FIG. 4 is a rear right perspective view thereof.

FIG. 5 is a rear left perspective view thereof.

FIG. 6 is a right side view thereof.

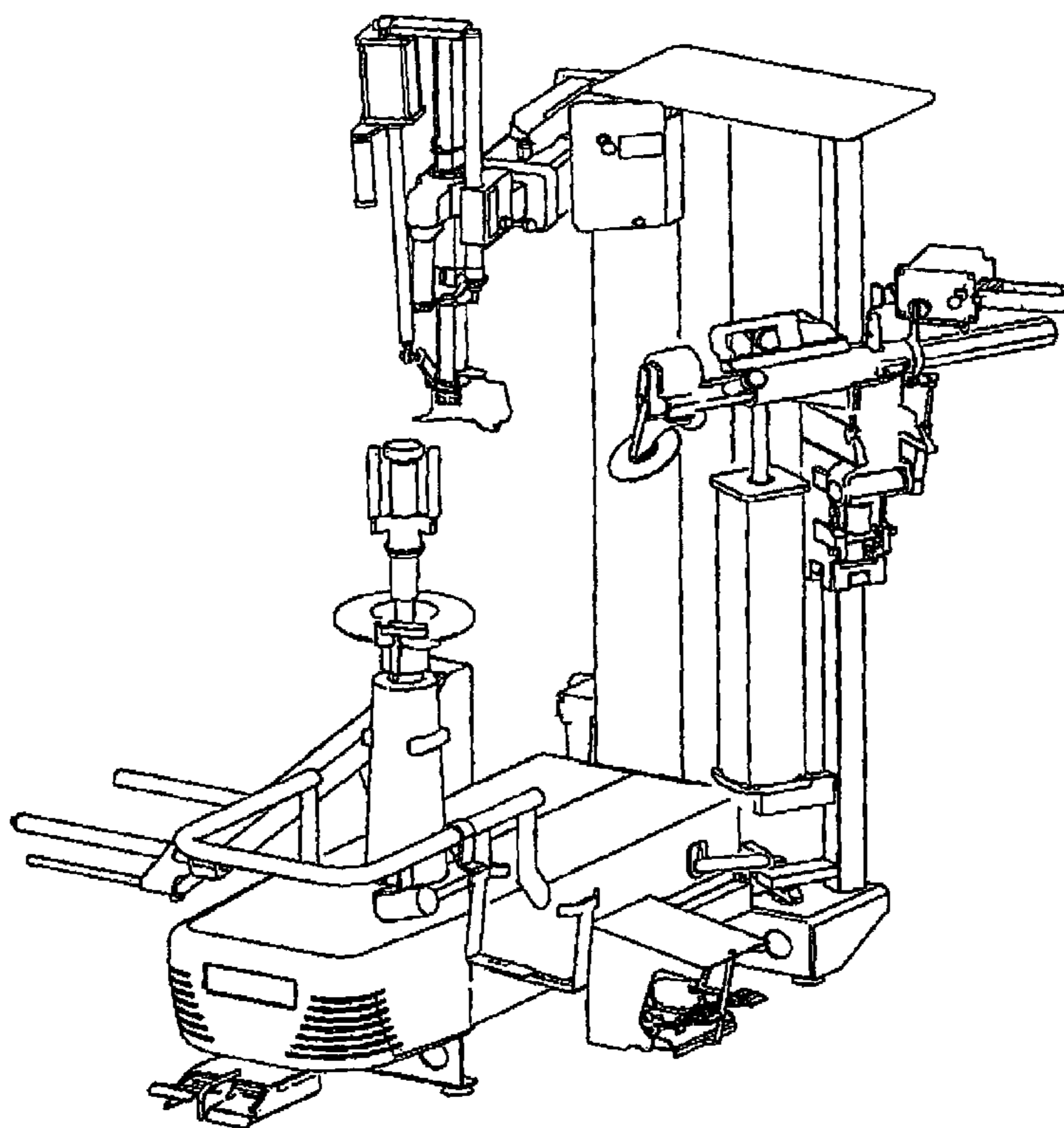
FIG. 7 is a top view thereof.

FIG. 8 is a front view thereof.

FIG. 9 is a bottom view thereof; and,

FIG. 10 is a rear view thereof.

1 Claim, 10 Drawing Sheets



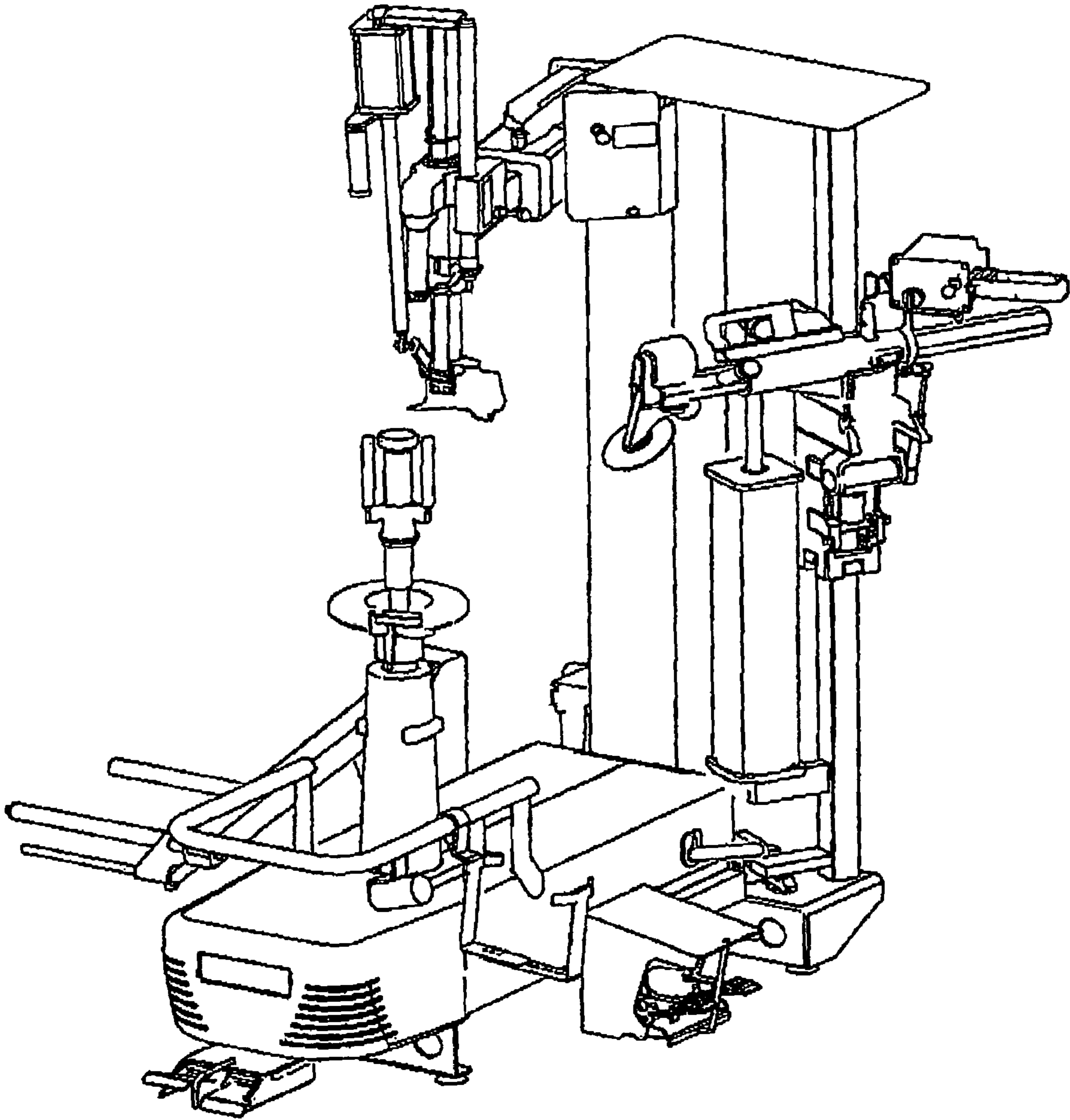


FIG. 1

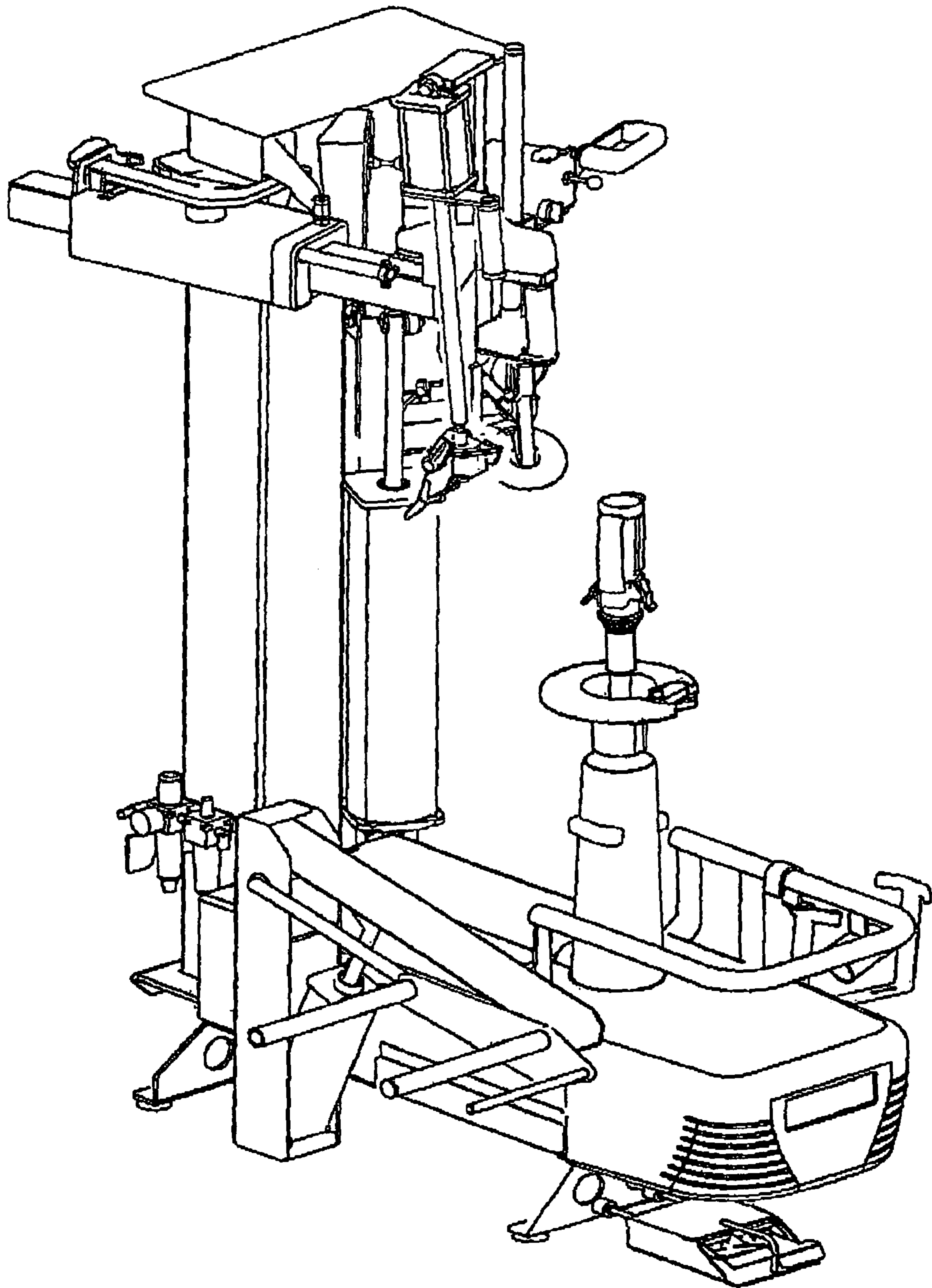


FIG. 2

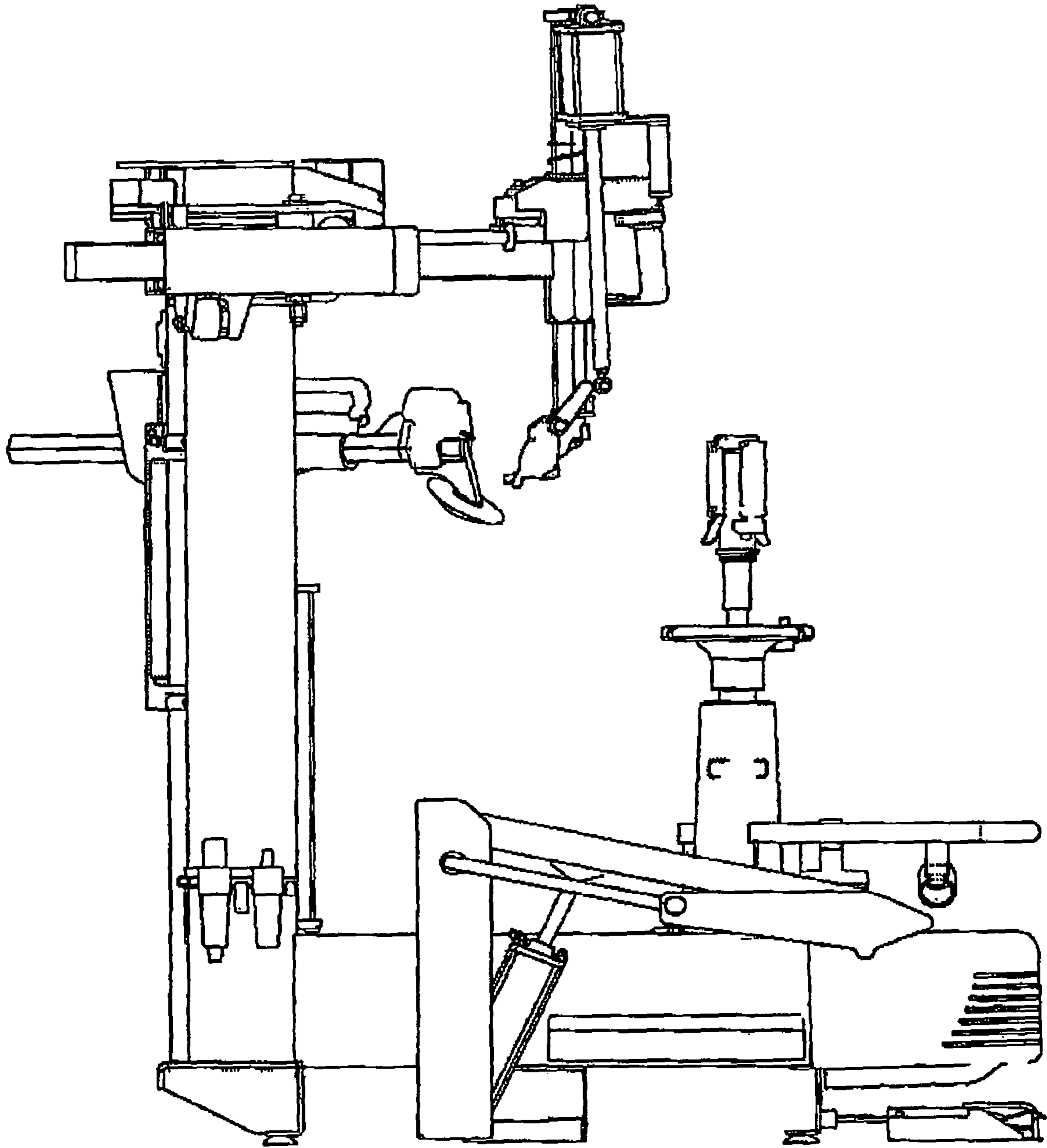


FIG. 3

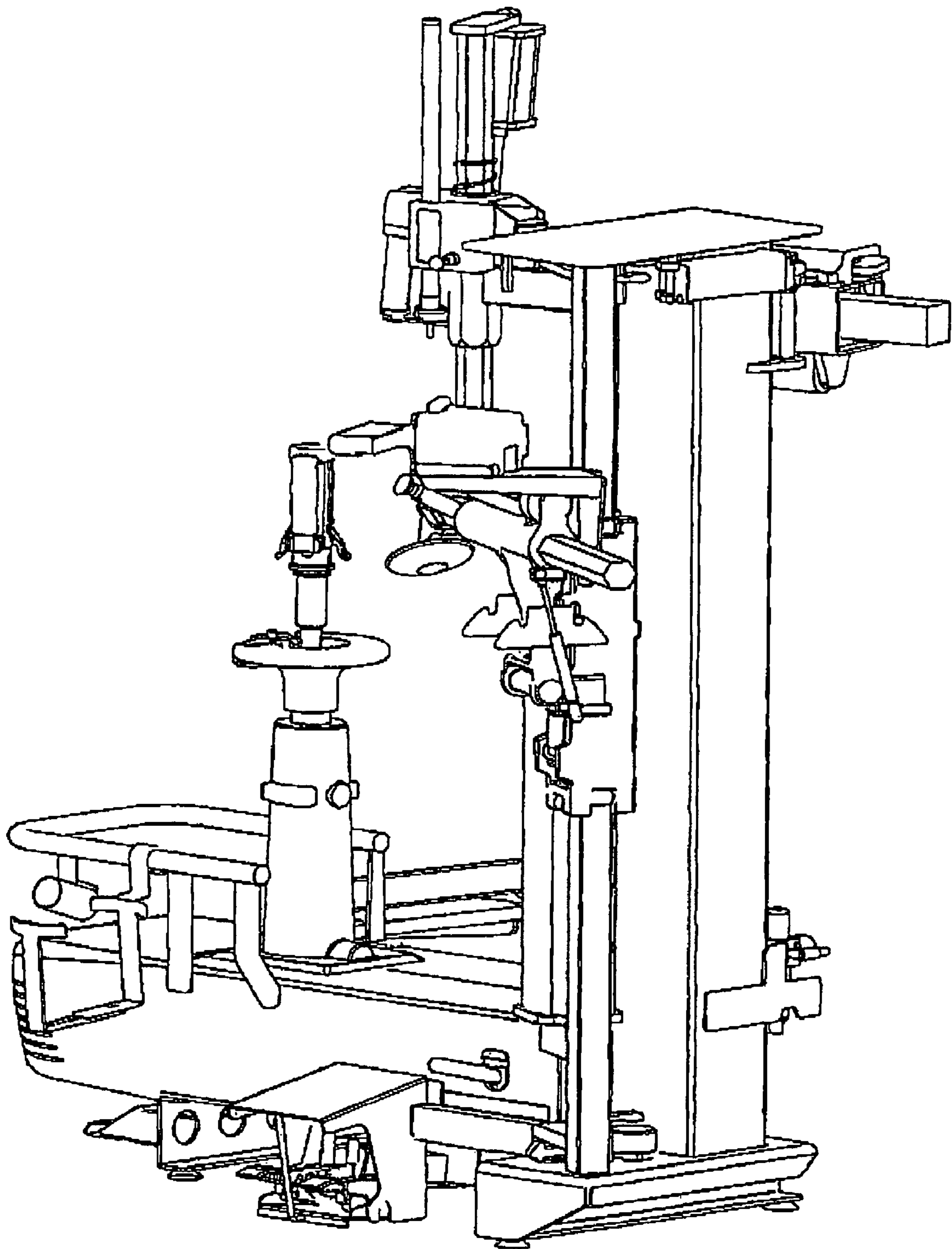


FIG.4

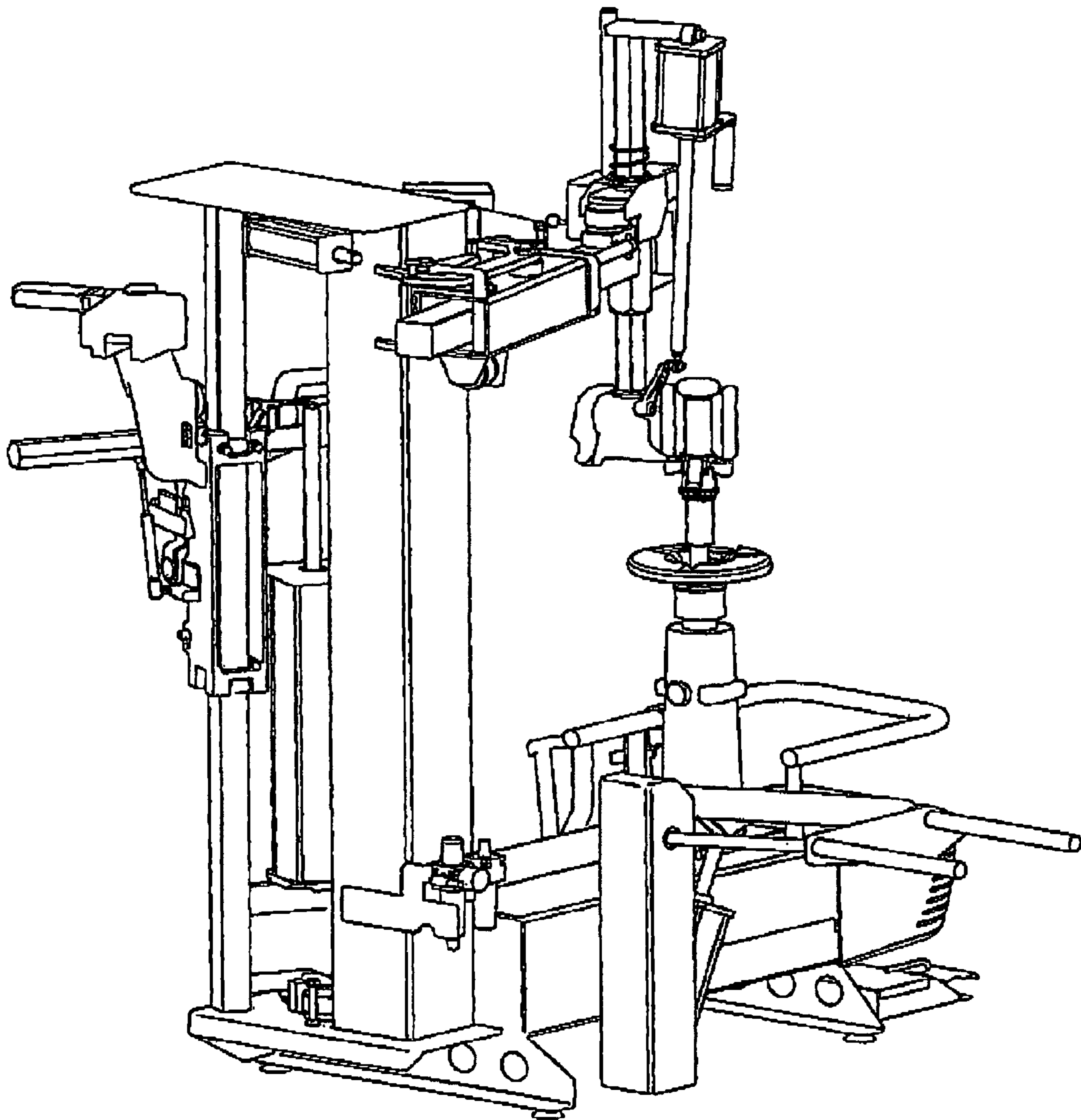


FIG. 5

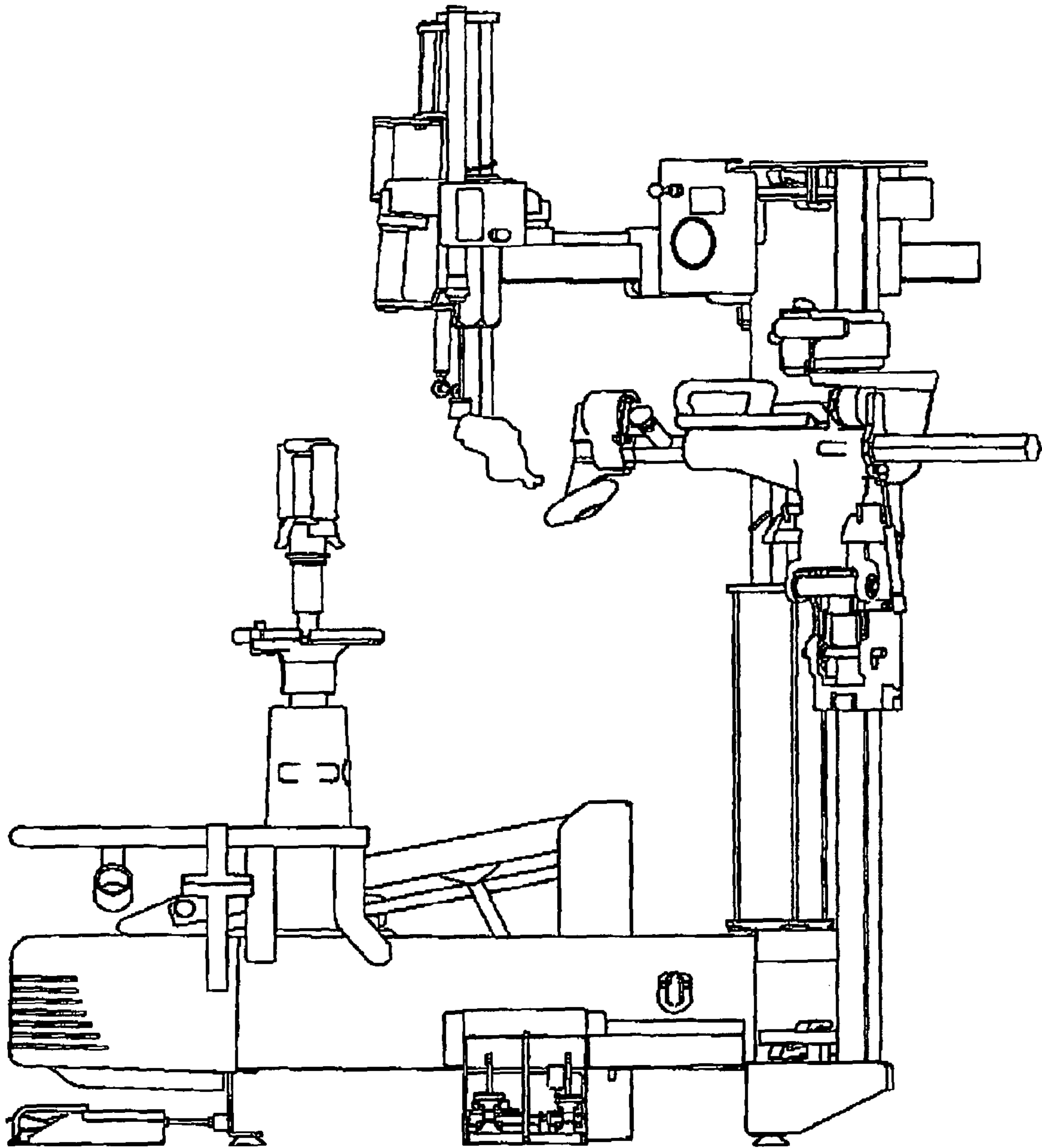


FIG.6

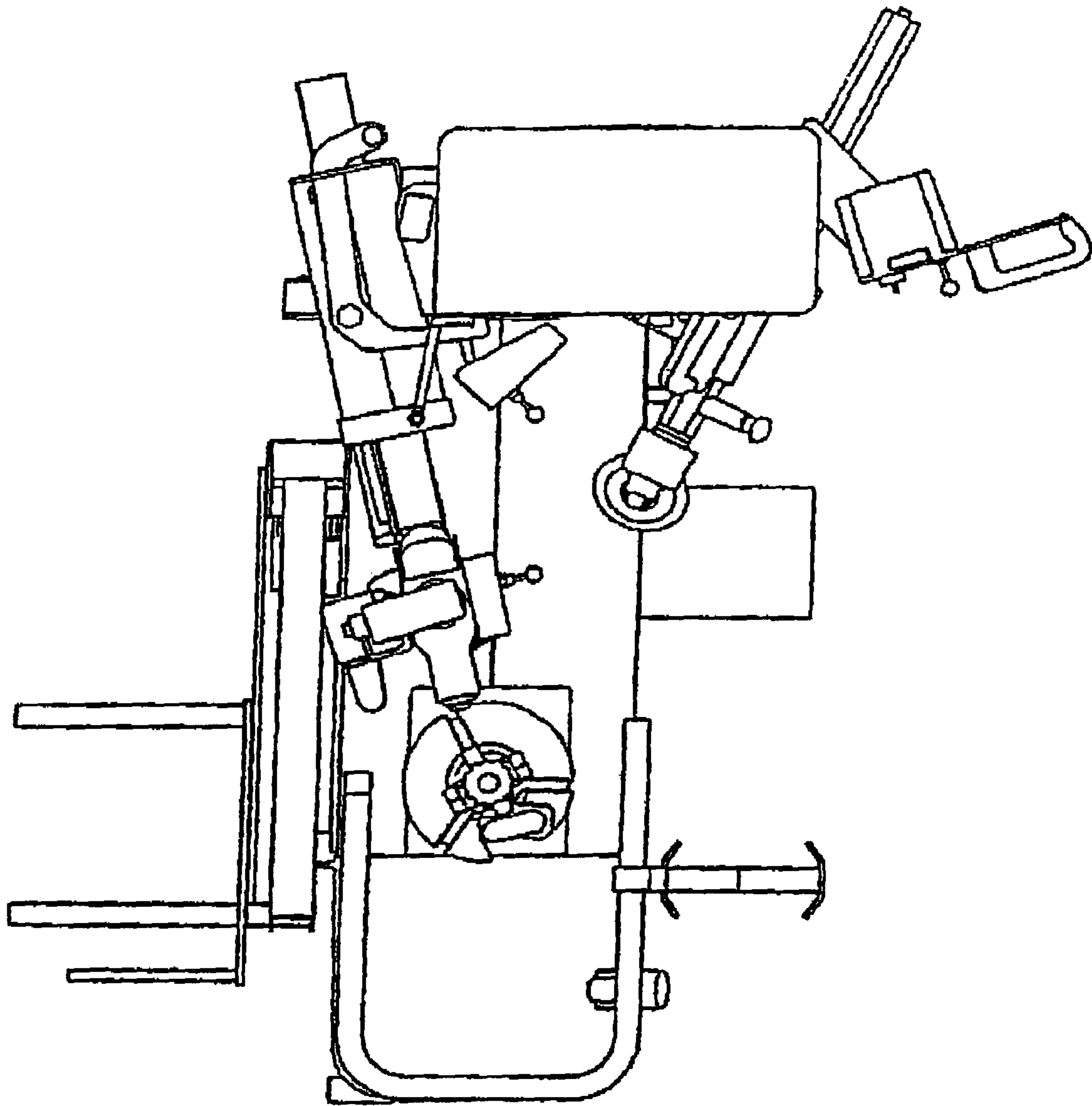


FIG. 7

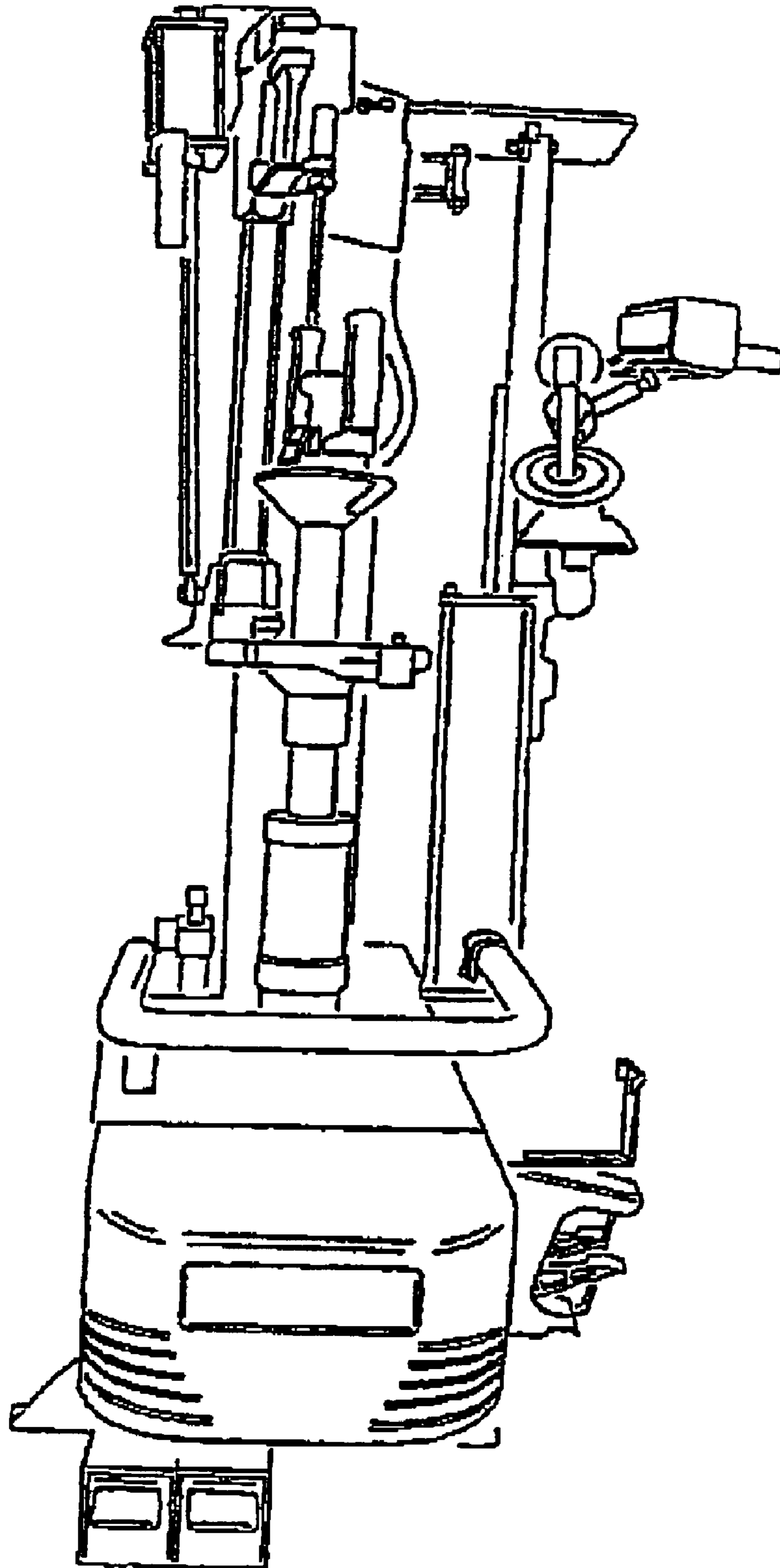


FIG. 8

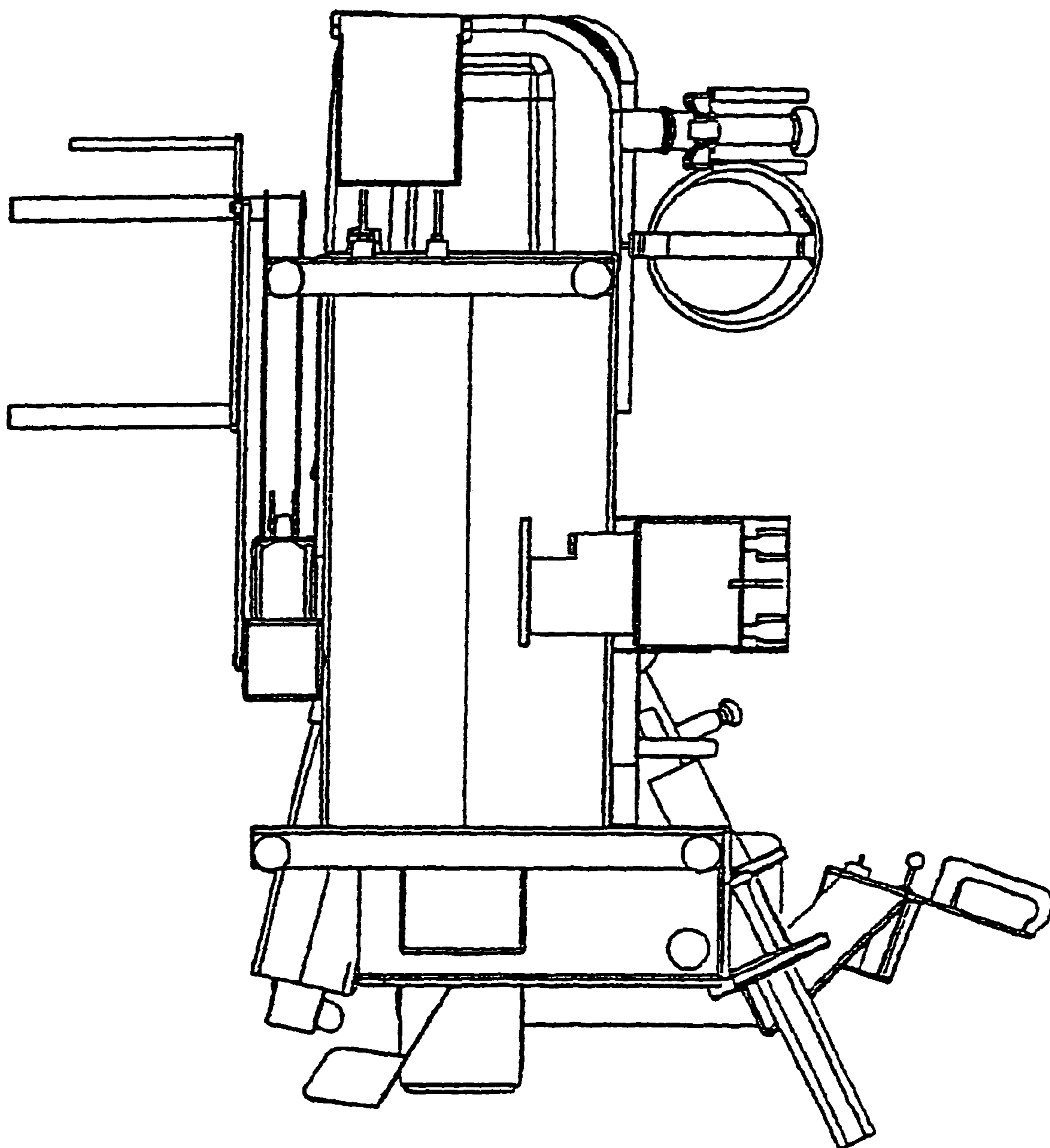


FIG. 9

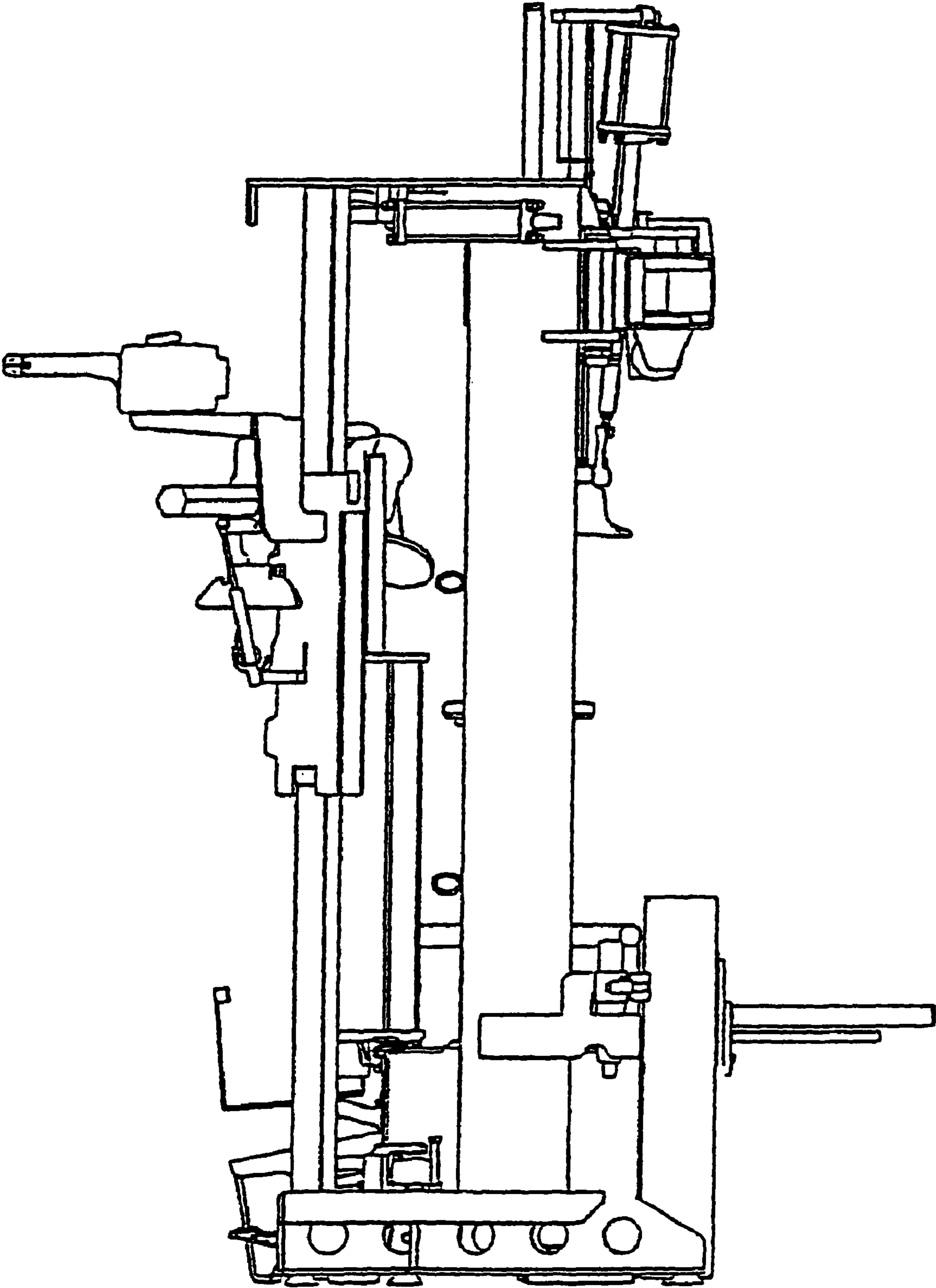


FIG. 10