



US00D614678S

(12) **United States Design Patent**
Jorgensen et al.

(10) **Patent No.:** **US D614,678 S**

(45) **Date of Patent:** **** Apr. 27, 2010**

(54) **DUST COLLECTION FITTING**

(75) Inventors: **Bill Jorgensen**, Lakeville, MN (US);
James Frey, Edina, MN (US); **Daniel Banasik**, Eagan, MN (US)

(73) Assignee: **Rockler Companies, Inc.**, Medina, MN (US)

(**) Term: **14 Years**

(21) Appl. No.: **29/333,221**

(22) Filed: **Mar. 4, 2009**

(51) **LOC (9) Cl.** **15-09**

(52) **U.S. Cl.** **D15/138; D8/70**

(58) **Field of Classification Search** D8/61-71,
D8/90, 363; D15/124-126, 138-140; 83/665;
451/41, 47, 56, 324, 342, 347-349, 357-360,
451/364, 388, 406, 420-423, 451, 547-549
See application file for complete search history.

(56) **References Cited**

U.S. PATENT DOCUMENTS

3,848,686	A *	11/1974	Jysky et al.	175/209
4,135,334	A *	1/1979	Rudiger	451/456
4,750,536	A	6/1988	Grisley	
4,953,255	A *	9/1990	Jenkins	15/327.2
5,125,190	A *	6/1992	Buser et al.	451/456
D334,330	S *	3/1993	Moshammer	D8/70
5,411,433	A *	5/1995	Keller	451/451
D376,526	S *	12/1996	Hepburn	D8/70
D407,617	S *	4/1999	Cooper et al.	D8/70
6,447,387	B1 *	9/2002	Tseng	451/456
6,540,598	B1 *	4/2003	McCutchen	451/456
6,648,742	B1 *	11/2003	Segiel, Jr.	451/451
D499,625	S *	12/2004	Stirm	D8/70

6,896,605	B2 *	5/2005	Ohlendorf	451/454
D513,161	S *	12/2005	Chilton	D8/70
D546,156	S *	7/2007	Aglassinger et al.	D8/70
D589,318	S *	3/2009	Meyer	D8/70
2006/0037172	A1 *	2/2006	Choi	15/353

OTHER PUBLICATIONS

“Leigh® RVA1 router vacuum attachment” on-line sales information and illustrations, Woodworker’S Supply, Inc., 3 pages, dated Jan. 23, 2008.

“Edge Routing Dust Port” on-line sales information and illustrations, Rockler Companies, Inc., 4 pages, publicly available prior to Mar. 4, 2009.

* cited by examiner

Primary Examiner—Sandra Snapp

Assistant Examiner—Patricia Palasik

(74) *Attorney, Agent, or Firm*—Westman, Champlin & Kelly, P.A.

(57) **CLAIM**

The ornamental design for a dust collection fitting, as shown and described.

DESCRIPTION

FIG. 1 is an isometric view thereof;

FIG. 2 is a side elevational view thereof, as taken from the left side in FIG. 1;

FIG. 3 is a side elevational view thereof, as taken from the right side in FIG. 1;

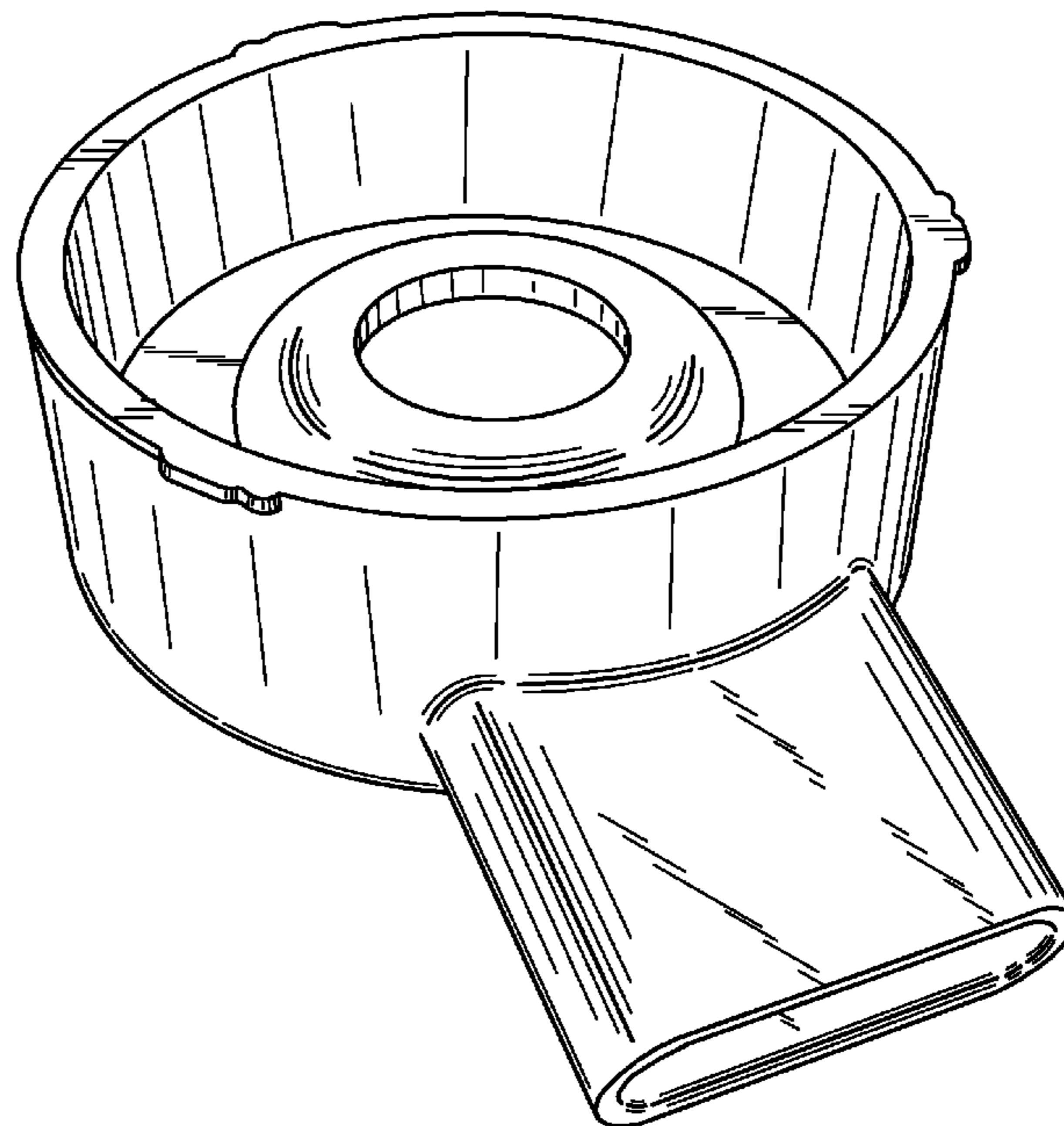
FIG. 4 is a front end elevational view thereof;

FIG. 5 is a rear end elevational view thereof;

FIG. 6 is a bottom view; and,

FIG. 7 is a top plan view.

1 Claim, 4 Drawing Sheets



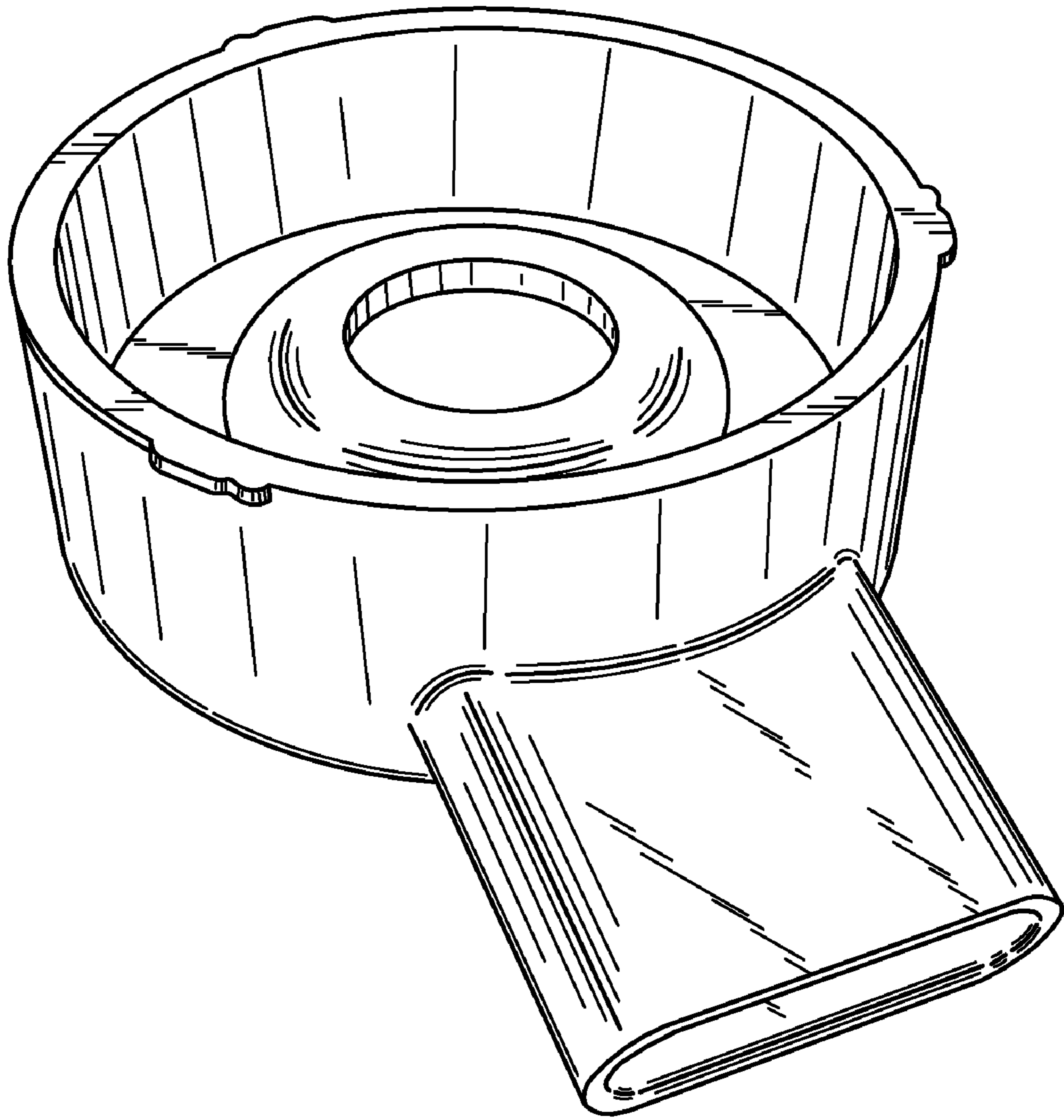


Fig. 1

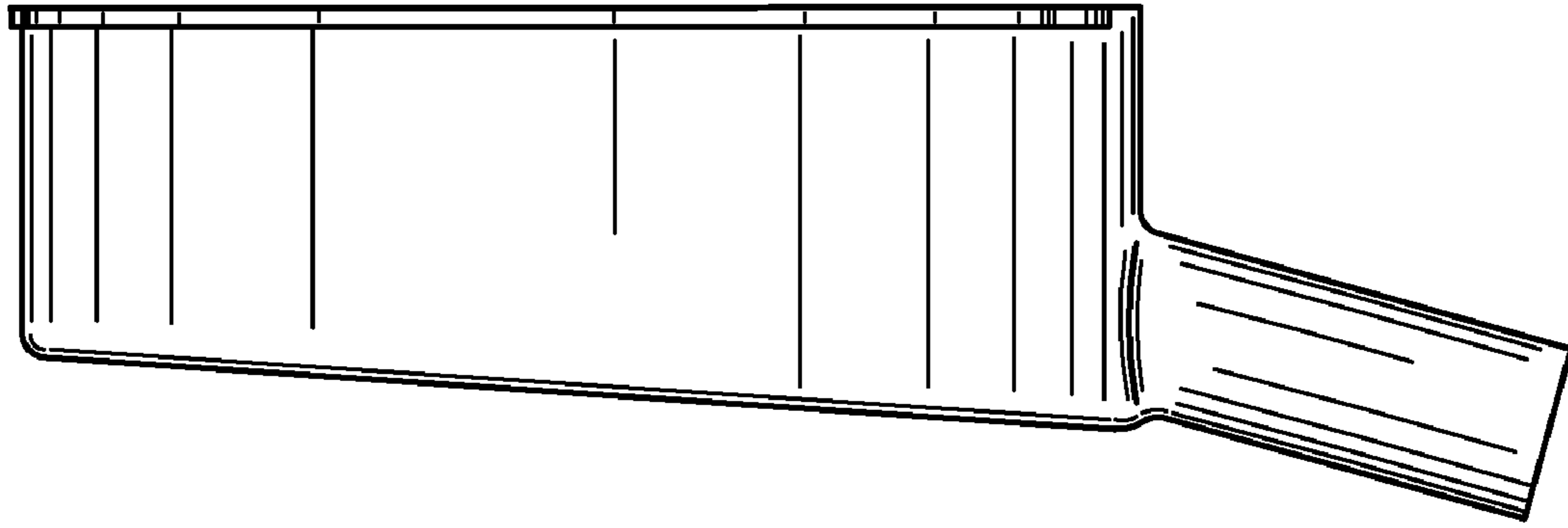


Fig. 2

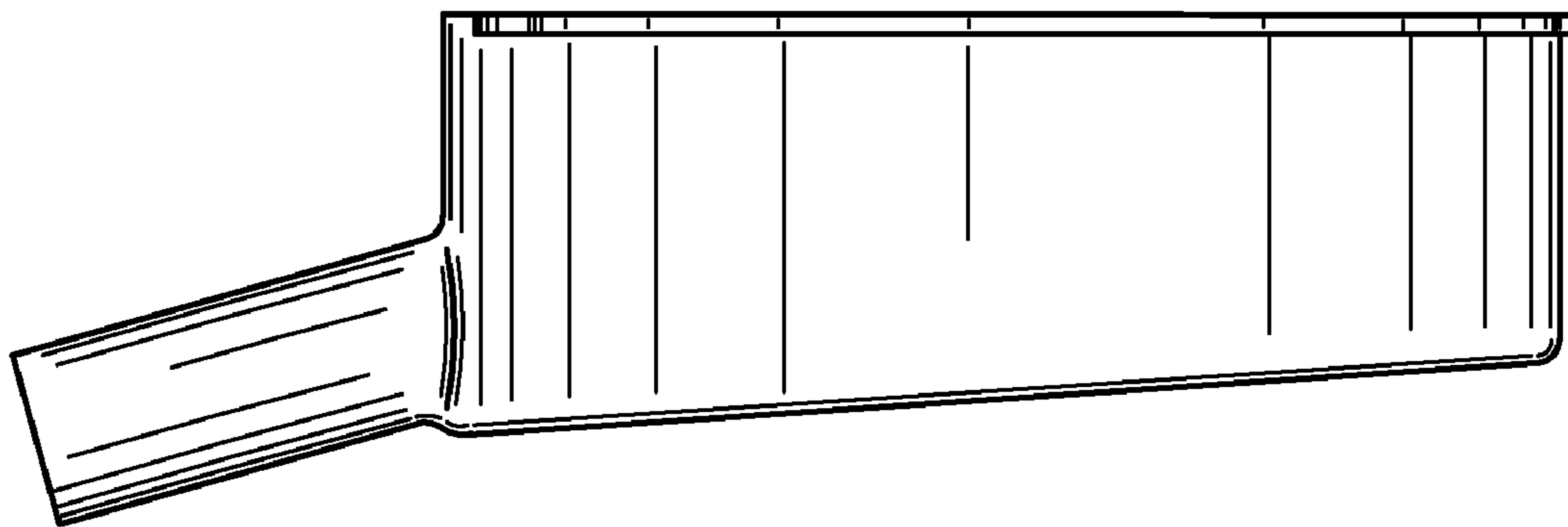


Fig. 3

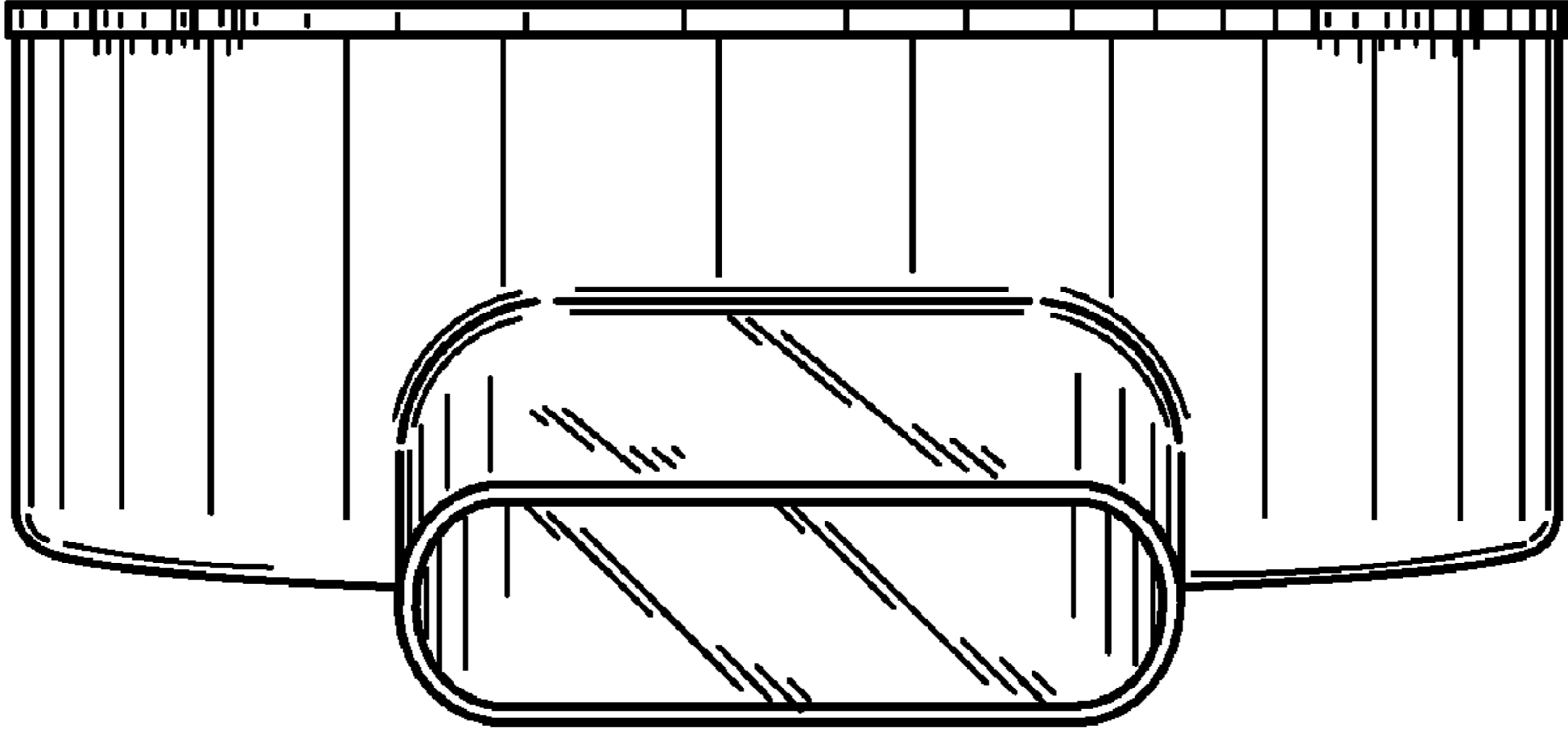


Fig. 4

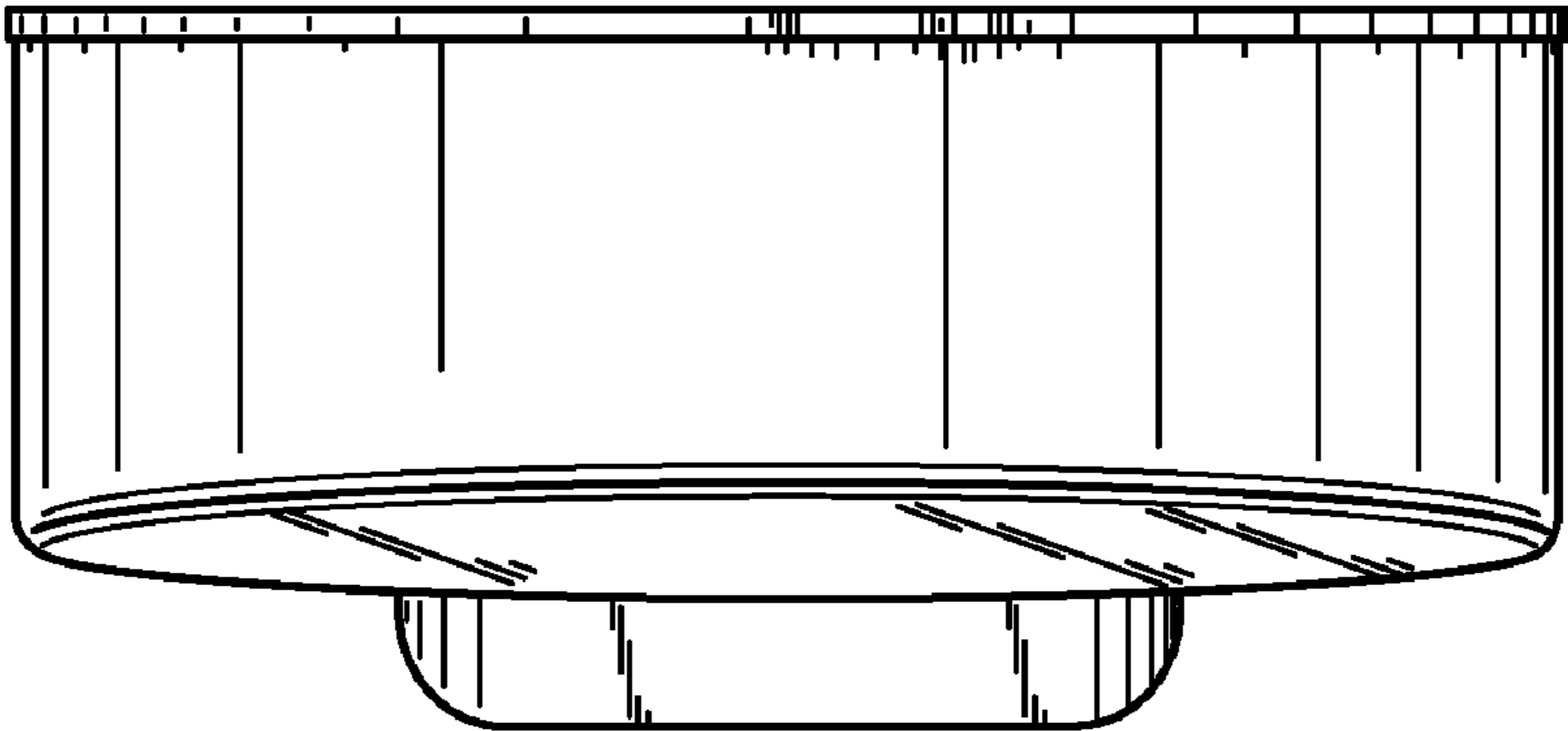


Fig. 5

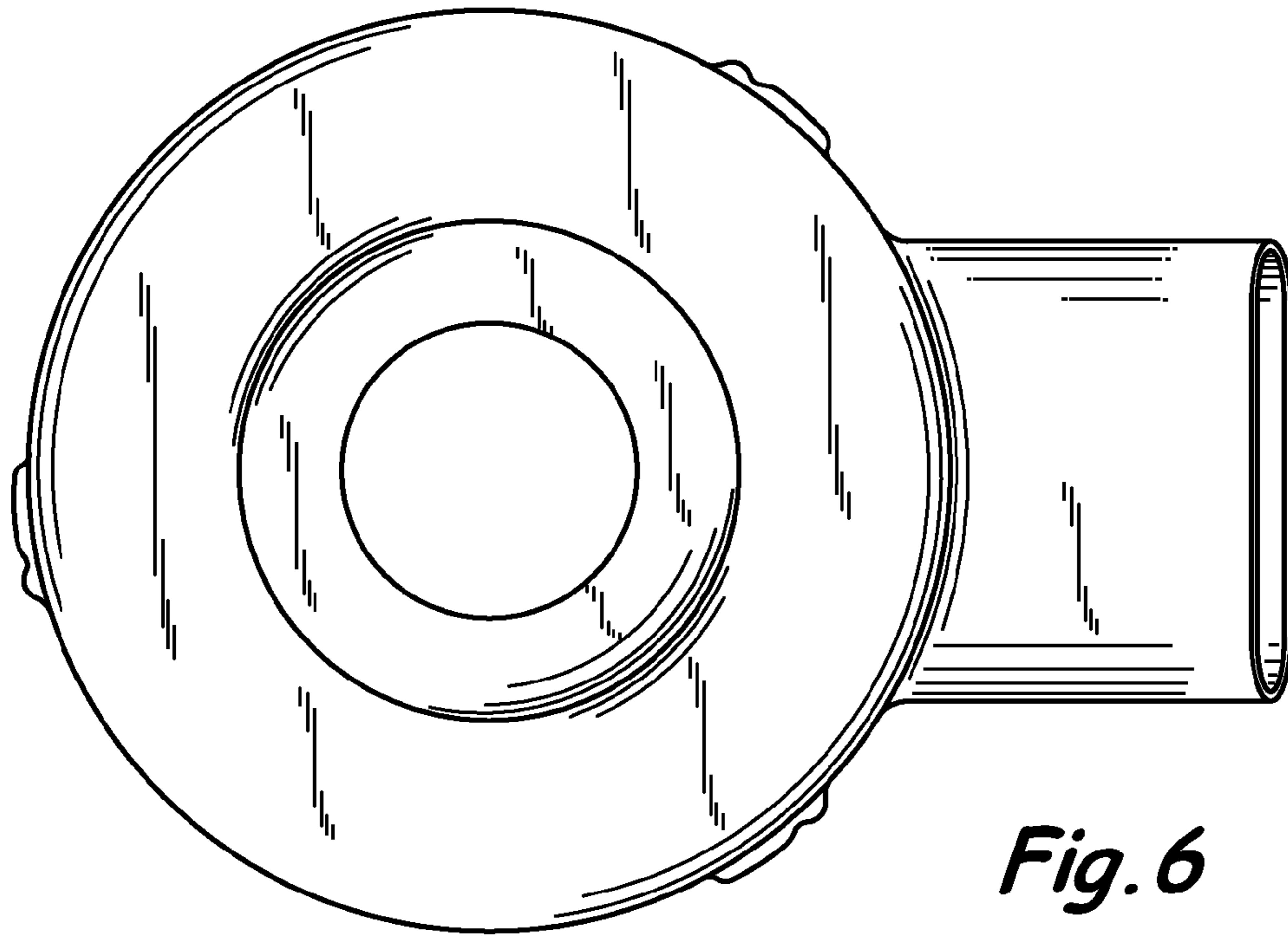


Fig. 6

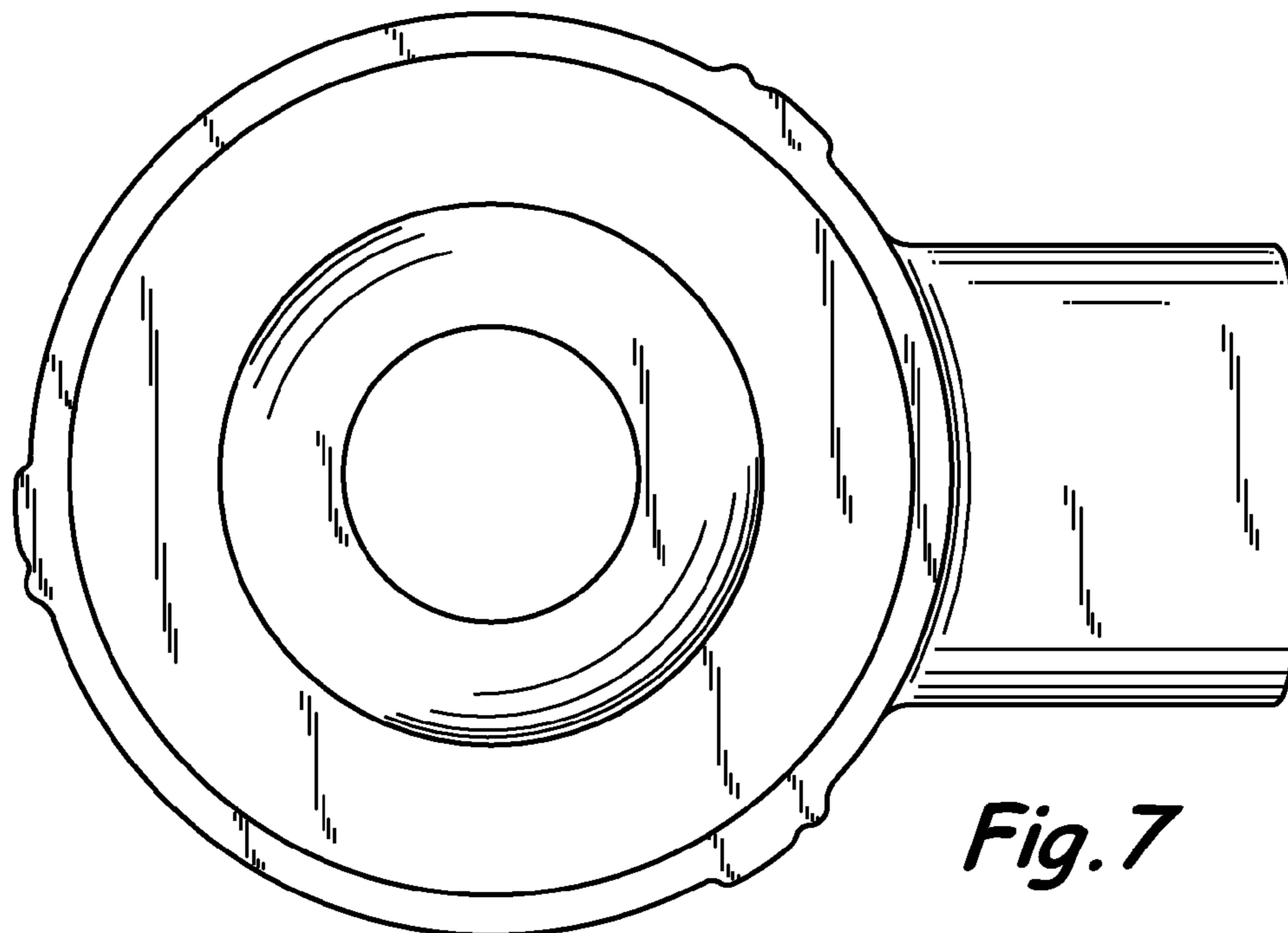


Fig. 7

UNITED STATES PATENT AND TRADEMARK OFFICE
CERTIFICATE OF CORRECTION

PATENT NO. : Des. 614,678 S
APPLICATION NO. : 29/333221
DATED : April 27, 2010
INVENTOR(S) : Bill Jorgensen et al.

Page 1 of 1

It is certified that error appears in the above-identified patent and that said Letters Patent is hereby corrected as shown below:

On the Title Page, in the "Inventor" Item (75) section:

Please replace "Daniel Banasik, Eagan, MN" with -- Daniel Wenning, Minneapolis, MN --

Signed and Sealed this

Twenty-seventh Day of July, 2010

A handwritten signature in black ink that reads "David J. Kappos". The signature is written in a cursive, flowing style.

David J. Kappos
Director of the United States Patent and Trademark Office