



US00D614674S

(12) **United States Design Patent**
Hobenshield et al.

(10) **Patent No.:** **US D614,674 S**
(45) **Date of Patent:** **** Apr. 27, 2010**

(54) **EXCAVATOR CAB**

(75) Inventors: **Lane C. Hobenshield**, Oak Creek, WI (US); **Steven Michael Casey**, Santa Barbara, CA (US); **Mark D. Londborg**, Atlanta, GA (US); **Russell J. Kroll**, Atlanta, GA (US)

(73) Assignee: **Bucyrus International, Inc.**, South Milwaukee, WI (US)

(**) Term: **14 Years**

(21) Appl. No.: **29/342,981**

(22) Filed: **Sep. 3, 2009**

(51) **LOC (9) Cl.** **15-03**

(52) **U.S. Cl.** **D15/30**

(58) **Field of Classification Search** D15/10,
D15/22-26, 28, 30, 31; 180/89.11, 89.12,
180/89.13, 89.19, 900; 296/190.01, 190.08,
296/210, 190, 202

See application file for complete search history.

(56) **References Cited**

U.S. PATENT DOCUMENTS

- D225,321 S * 12/1972 Johnson et al. D15/30
- D237,373 S * 10/1975 Decatur et al. D12/96
- 3,938,761 A 2/1976 Hempenstall
- 4,184,434 A 1/1980 Chapin
- 4,268,214 A 5/1981 Zeldman
- D287,499 S * 12/1986 Takamatsu et al. D15/30
- D292,632 S * 11/1987 Lich D34/37
- 4,703,568 A 11/1987 Theurer et al.
- 4,732,462 A 3/1988 Bel
- 5,096,253 A * 3/1992 Jo et al. 296/190.1
- 5,188,419 A 2/1993 Liethen
- D343,004 S * 1/1994 Nelson D25/33
- D348,270 S * 6/1994 Lehmann-Brendel et al. D15/30
- D366,267 S * 1/1996 Lepoix D15/30
- D389,984 S * 1/1998 Johansson D34/37
- 6,095,263 A 8/2000 Saunders et al.
- 6,182,778 B1 2/2001 Henshaw et al.

- 6,182,797 B1 2/2001 Tebbe et al.
- 6,189,964 B1 2/2001 Henshaw et al.
- D455,763 S * 4/2002 Brandenburg et al. D15/30
- D463,461 S * 9/2002 Yanagida et al. D15/30
- D463,462 S * 9/2002 Yanagida et al. D15/30
- 6,446,738 B1 9/2002 Boyd
- D471,213 S * 3/2003 Kwak et al. D15/30

(Continued)

OTHER PUBLICATIONS

Terex Mining, Hydraulic Excavator RH400, Jan. 2003.

Primary Examiner—Ian Simmons

Assistant Examiner—Mark A Goodwin

(74) *Attorney, Agent, or Firm*—Quarles & Brady LLP

(57) **CLAIM**

The ornamental design for an excavator cab, as shown and described.

DESCRIPTION

FIG. 1 is a right, front perspective view of an excavator cab showing our new design;

FIG. 2 is a right elevation view of the cab of FIG. 1;

FIG. 3 is a left elevation view of the cab of FIG. 1;

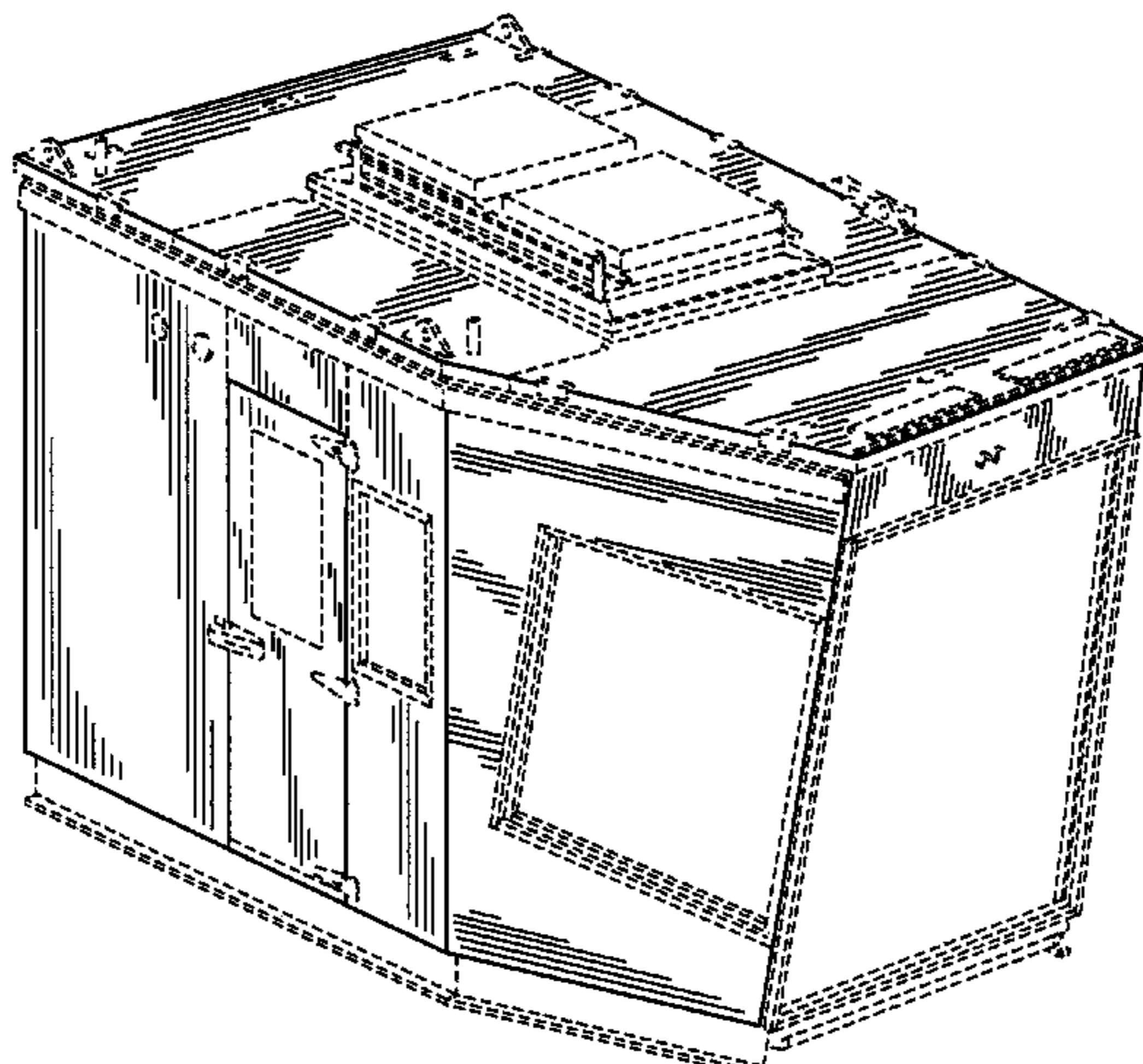
FIG. 4 is a front elevation view of the cab of FIG. 1;

FIG. 5 is a rear elevation view of the cab of FIG. 1; and,

FIG. 6 is a top view of the cab of FIG. 1.

The broken line representations of items in FIGS. 1-6 are for purposes of illustration only, and form no part of the claimed design.

1 Claim, 6 Drawing Sheets



US D614,674 S

Page 2

U.S. PATENT DOCUMENTS

D523,029 S *	6/2006	Crawford et al.	D15/30	D549,742 S *	8/2007	Koss	D15/30
D541,826 S *	5/2007	Brush et al.	D15/30	D594,036 S *	6/2009	Iwakata et al.	D15/30
D548,753 S *	8/2007	Kim	D15/30	D594,480 S *	6/2009	Gicquel et al.	D15/30
D549,245 S *	8/2007	Antonetti	D15/30	D605,207 S *	12/2009	Menges et al.	D15/30

* cited by examiner

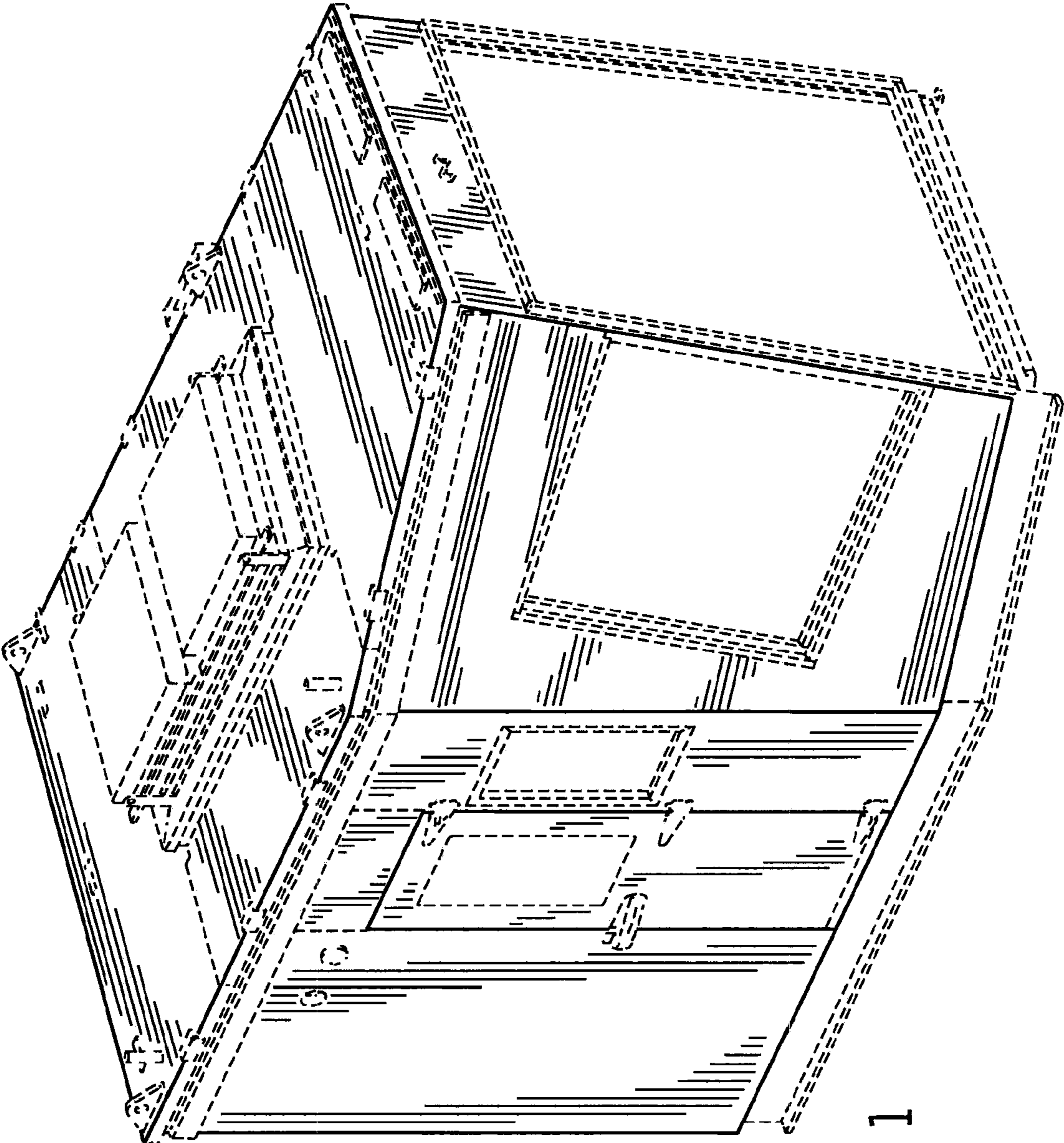
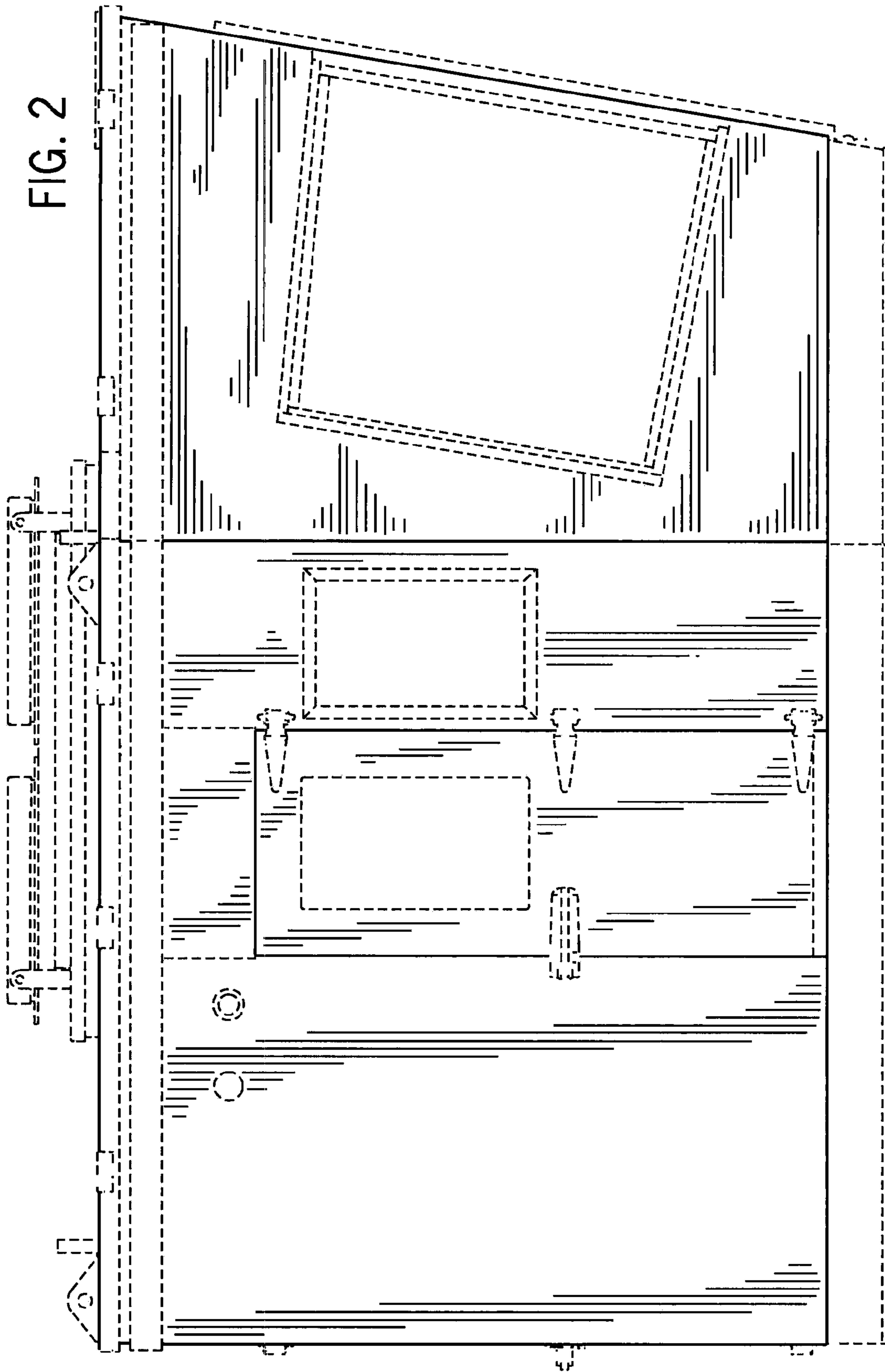


FIG. 1



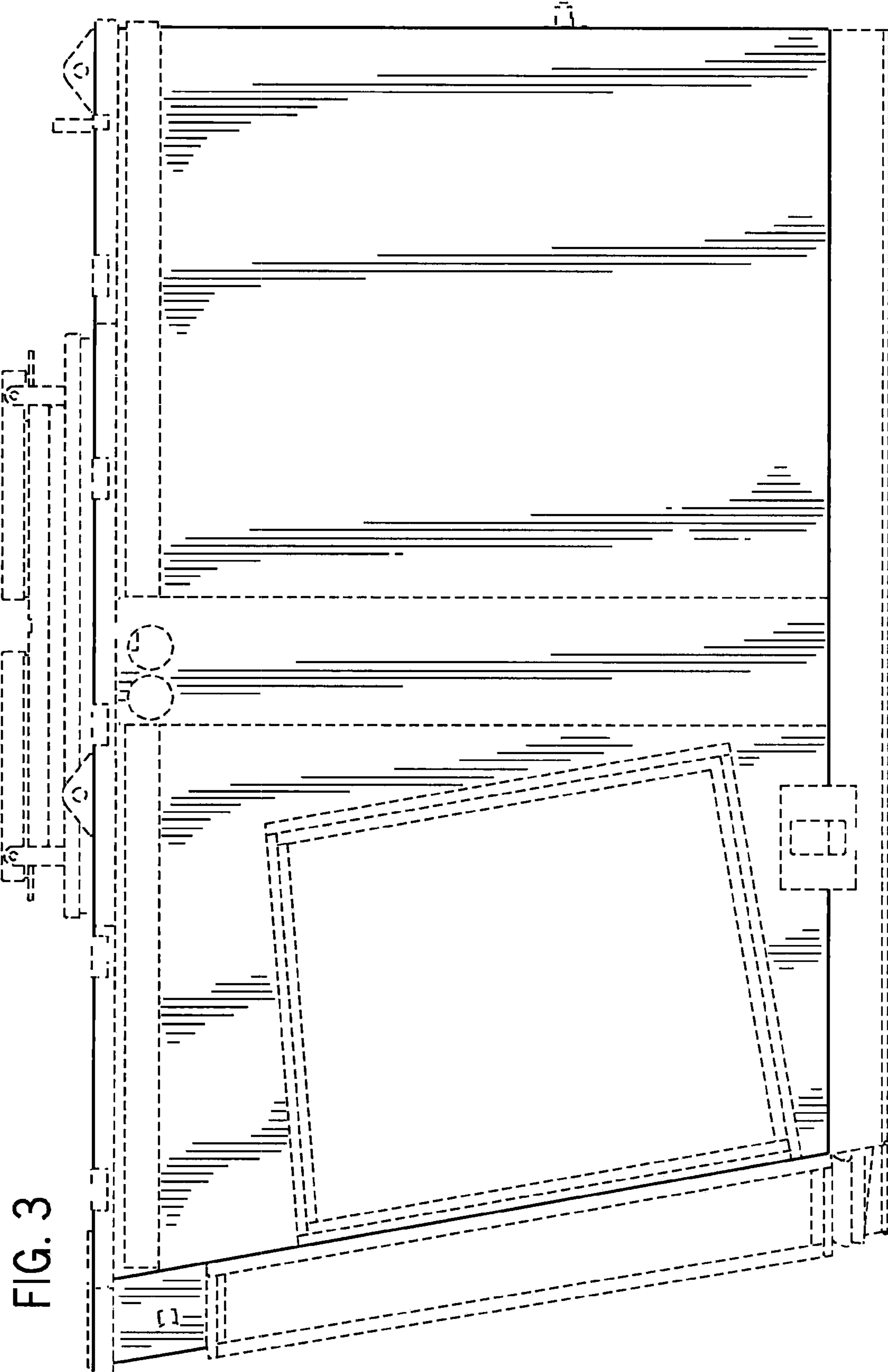


FIG. 4

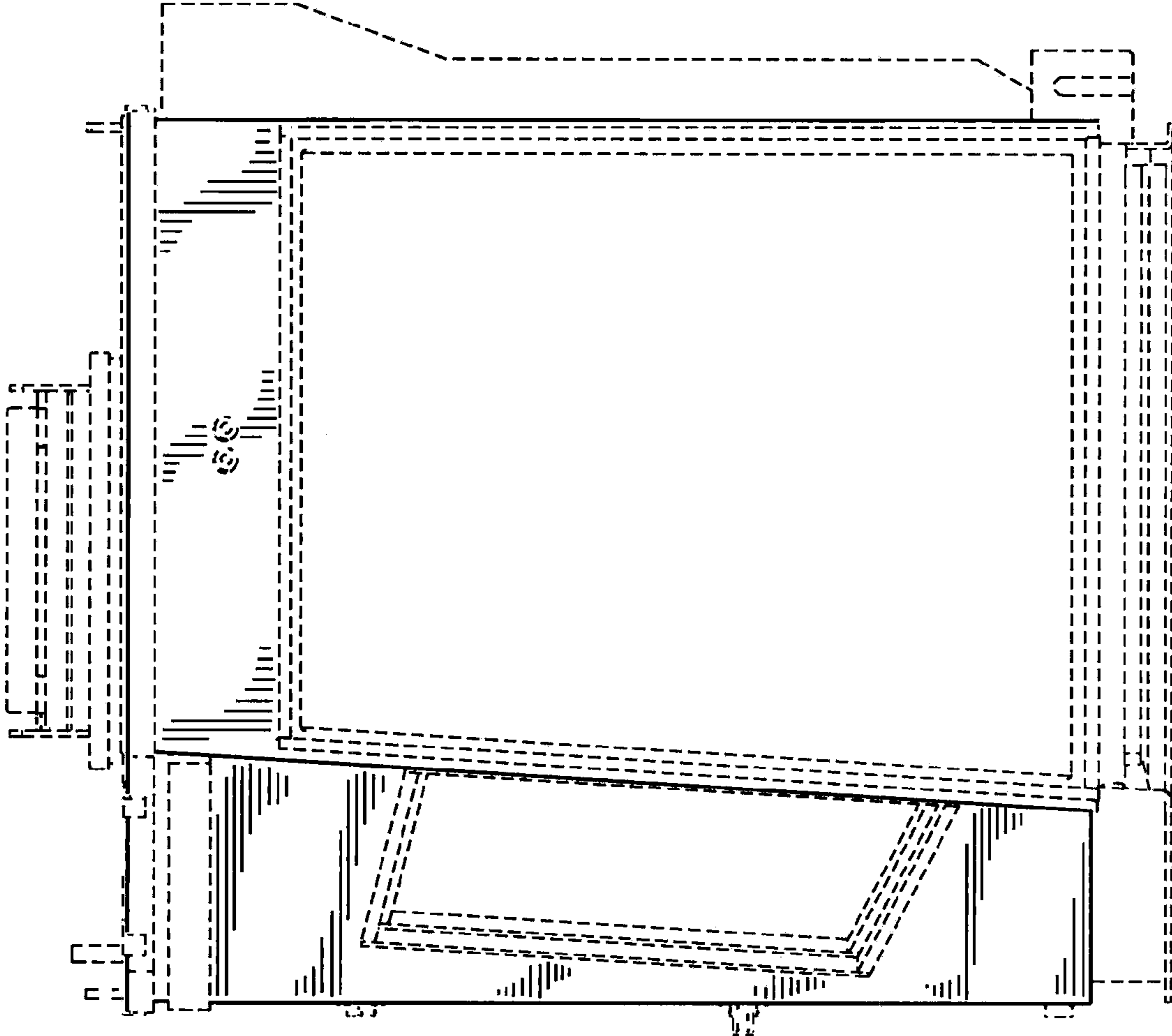
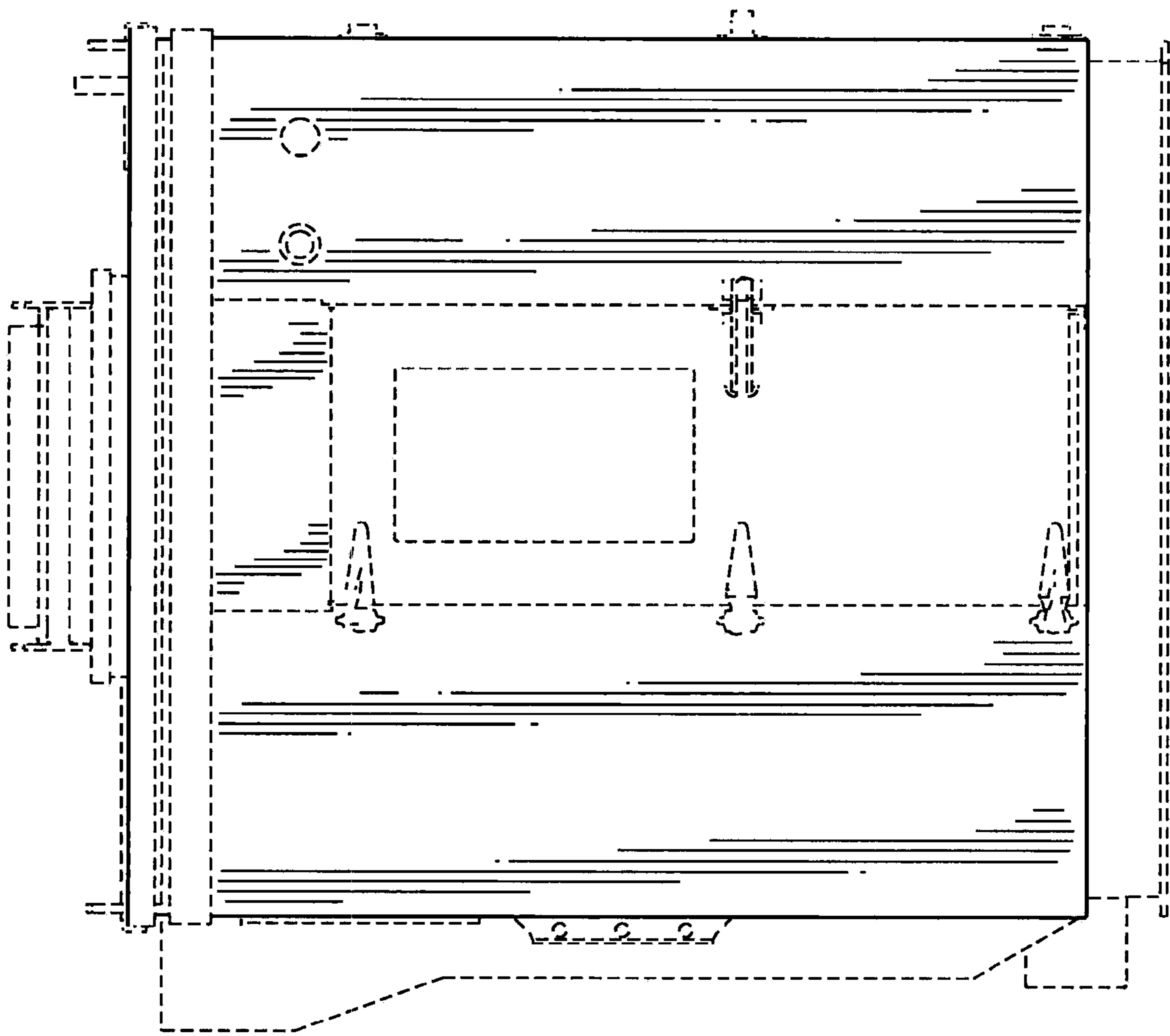


FIG. 5



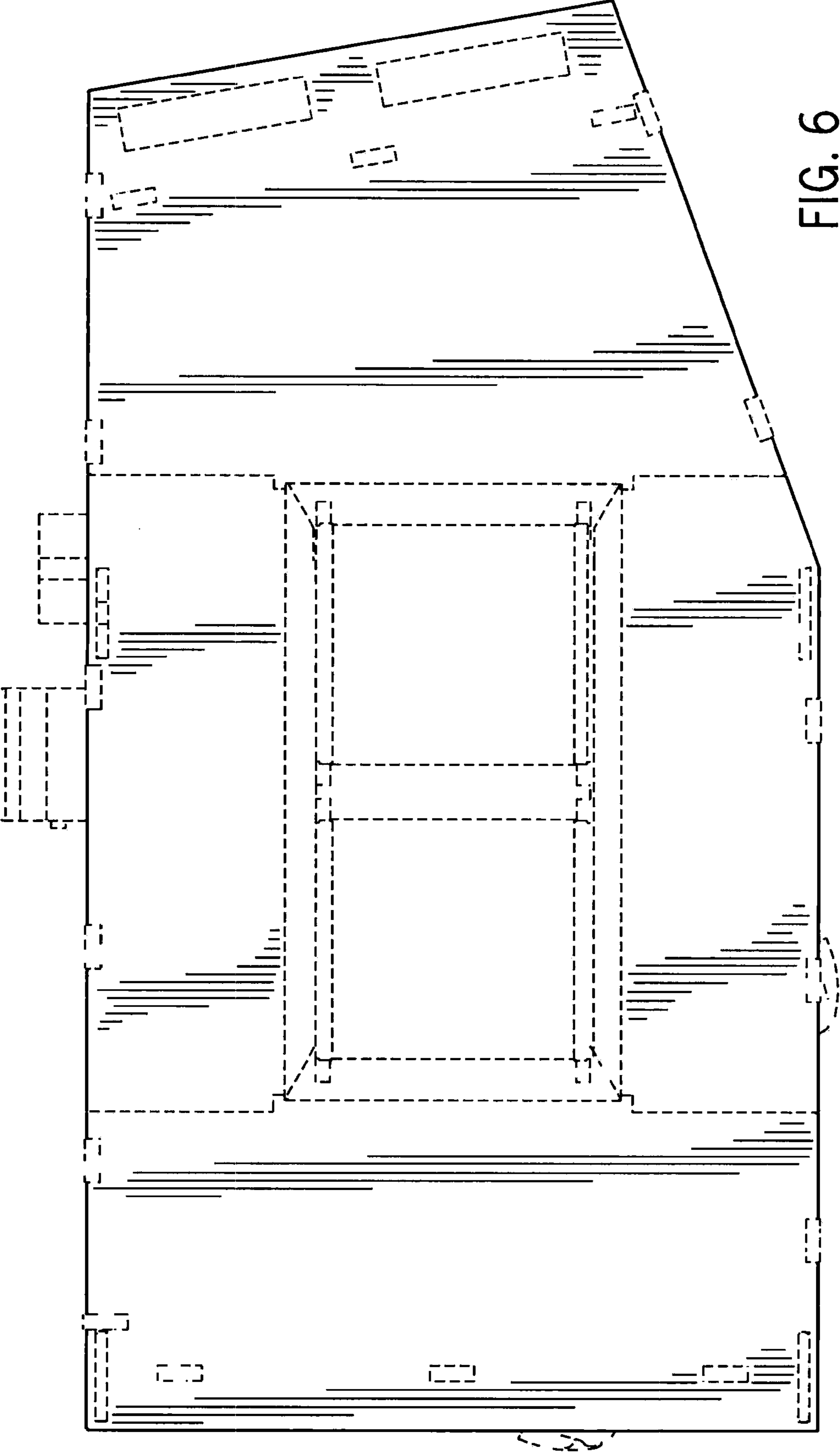


FIG. 6