



US00D614672S

(12) **United States Design Patent**
Latsos

(10) **Patent No.:** **US D614,672 S**

(45) **Date of Patent:** **** Apr. 27, 2010**

(54) **VACUUM PUMP FLUID TANK**

D325,586 S * 4/1992 Carroll et al. D15/7

(76) Inventor: **Tom Latsos**, 150 S. Van Brunt St.,
Englewood, NJ (US) 07631

* cited by examiner

Primary Examiner—Ralf Seifert

(74) *Attorney, Agent, or Firm*—Myron Amer P.C.

(**) Term: **14 Years**

(21) Appl. No.: **29/348,172**

(57) **CLAIM**

(22) Filed: **Dec. 7, 2009**

The ornamental design for a vacuum pump fluid tank, as shown and described.

(51) **LOC (9) Cl.** **15-02**

(52) **U.S. Cl.** **D15/7**

(58) **Field of Classification Search** D15/7-9;
D23/231, 232, 225; 417/410.1, 359, 415-416,
417/234, 321, 265, 405

See application file for complete search history.

DESCRIPTION

FIG. 1 is a front elevational view of a vacuum pump fluid tank showing my new design;

FIG. 2 is a right side elevation view thereof;

FIG. 3 is a left side elevation view thereof;

FIG. 4 is a top view thereof;

FIG. 5 is a bottom view thereof; and,

FIG. 6 is a rear elevational view thereof.

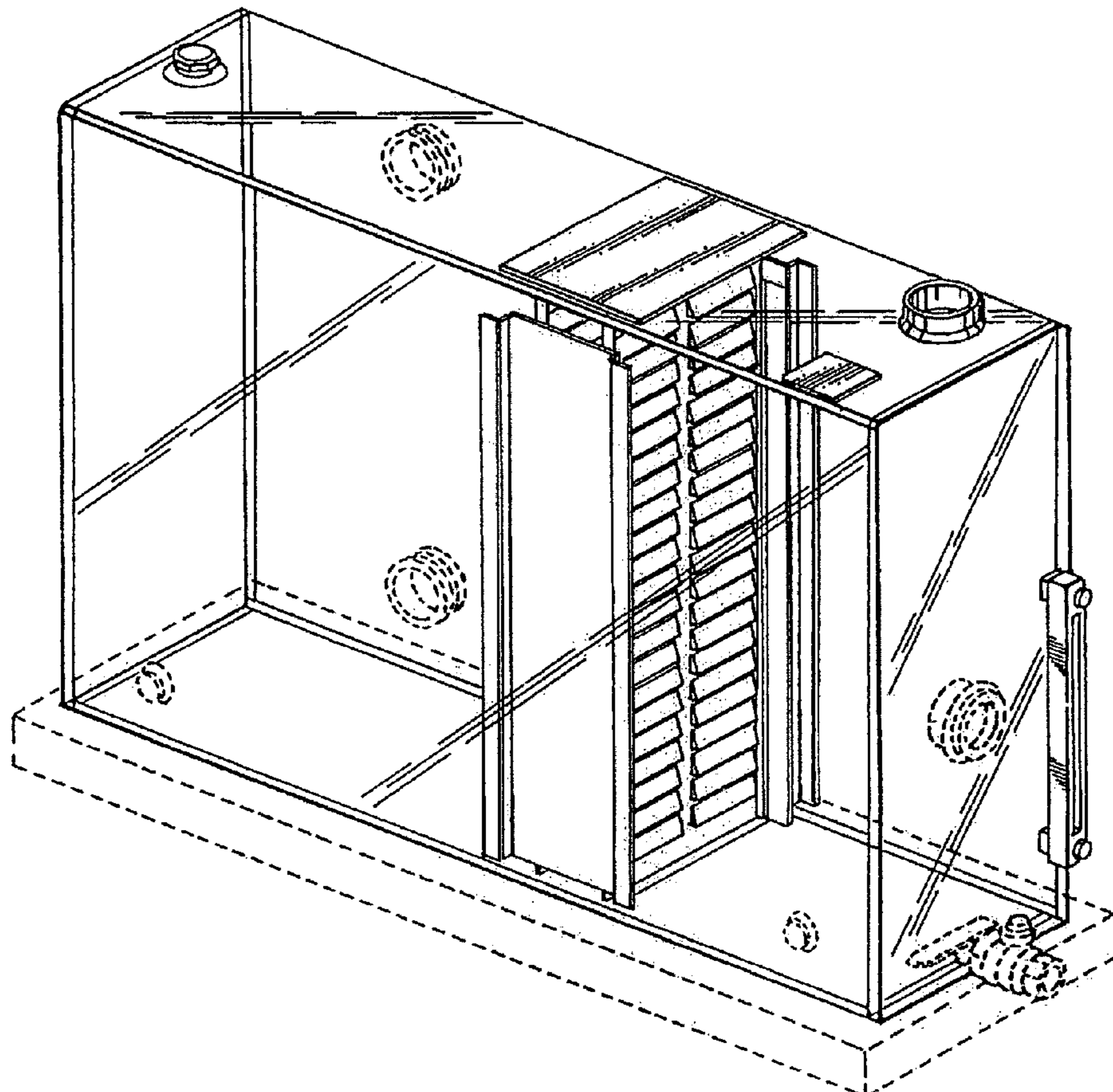
The broken line showing of openings and a base is included for the purpose of illustrating environmental matter and forms no part of the claimed design.

(56) **References Cited**

U.S. PATENT DOCUMENTS

D86,537 S *	3/1932	Pflueger	D15/9.1
D86,538 S *	3/1932	Pflueger	D15/9.1
D86,632 S *	3/1932	Pflueger	D15/9.1
D86,634 S *	3/1932	Pflueger	D15/9.1
D89,814 S *	5/1933	Yount	D15/9.1
D143,259 S *	12/1945	Aldridge	D15/9.1
D163,994 S *	7/1951	Fairweather	D15/9

1 Claim, 5 Drawing Sheets



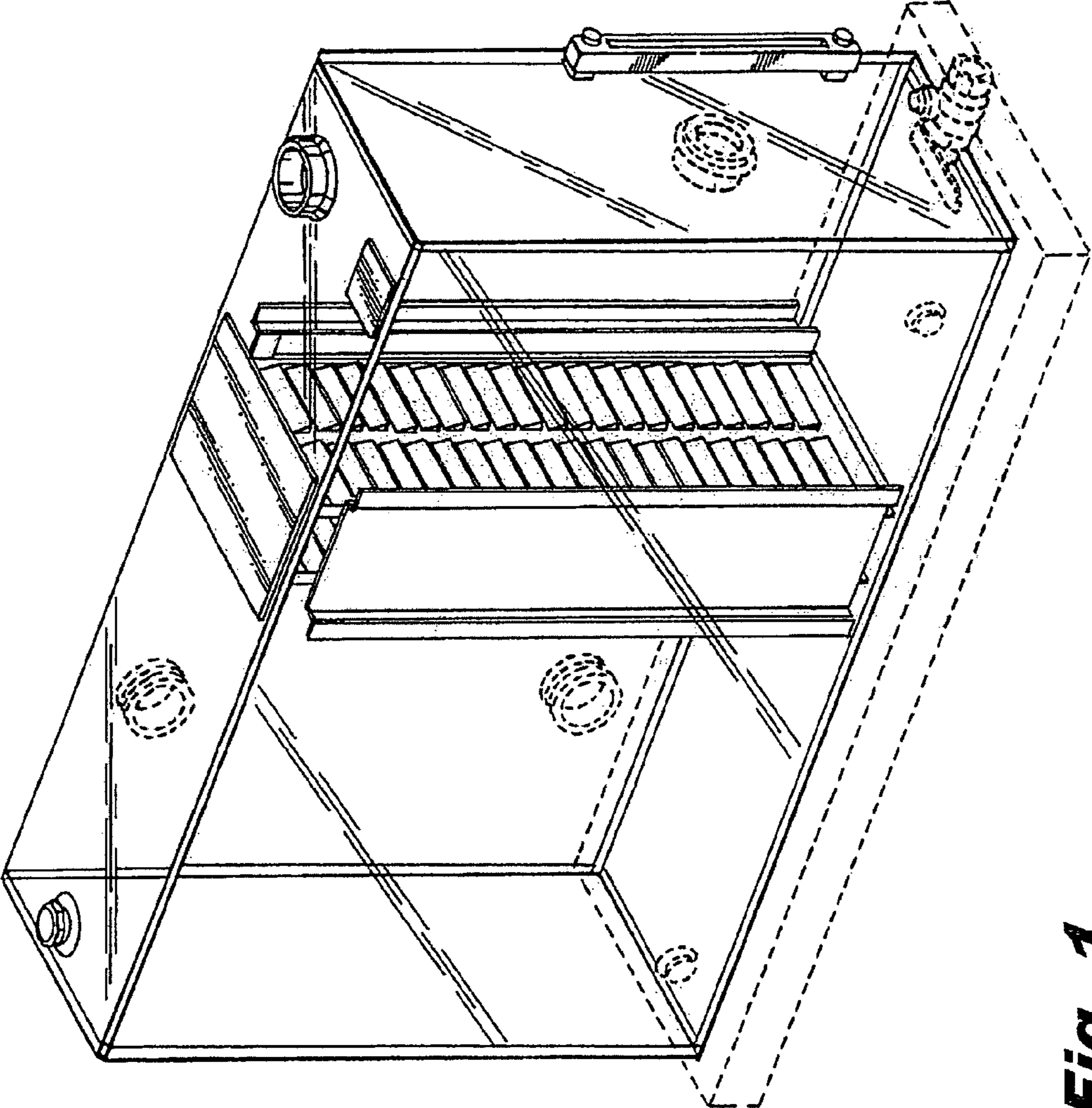


Fig. 1

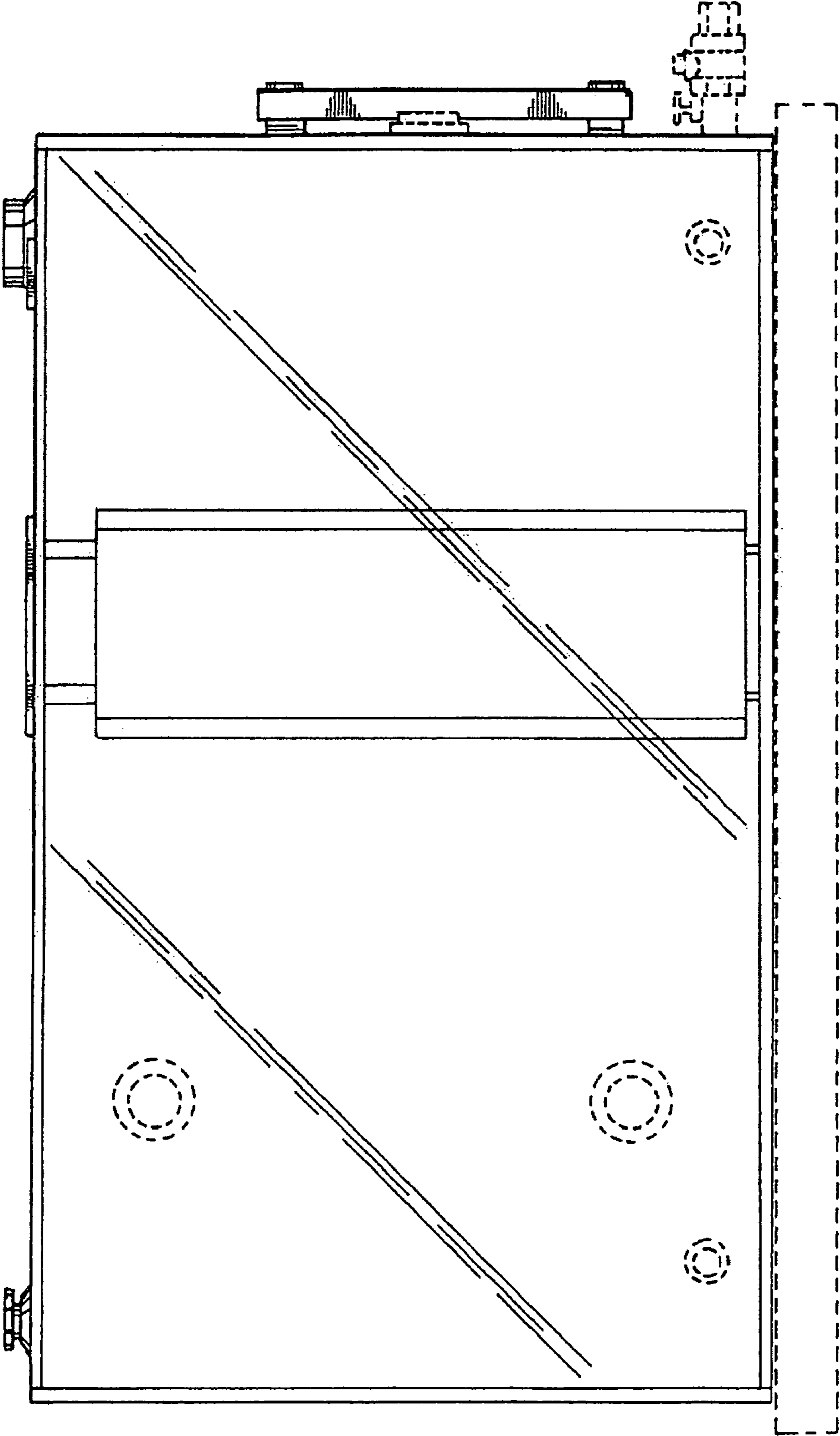


Fig. 2

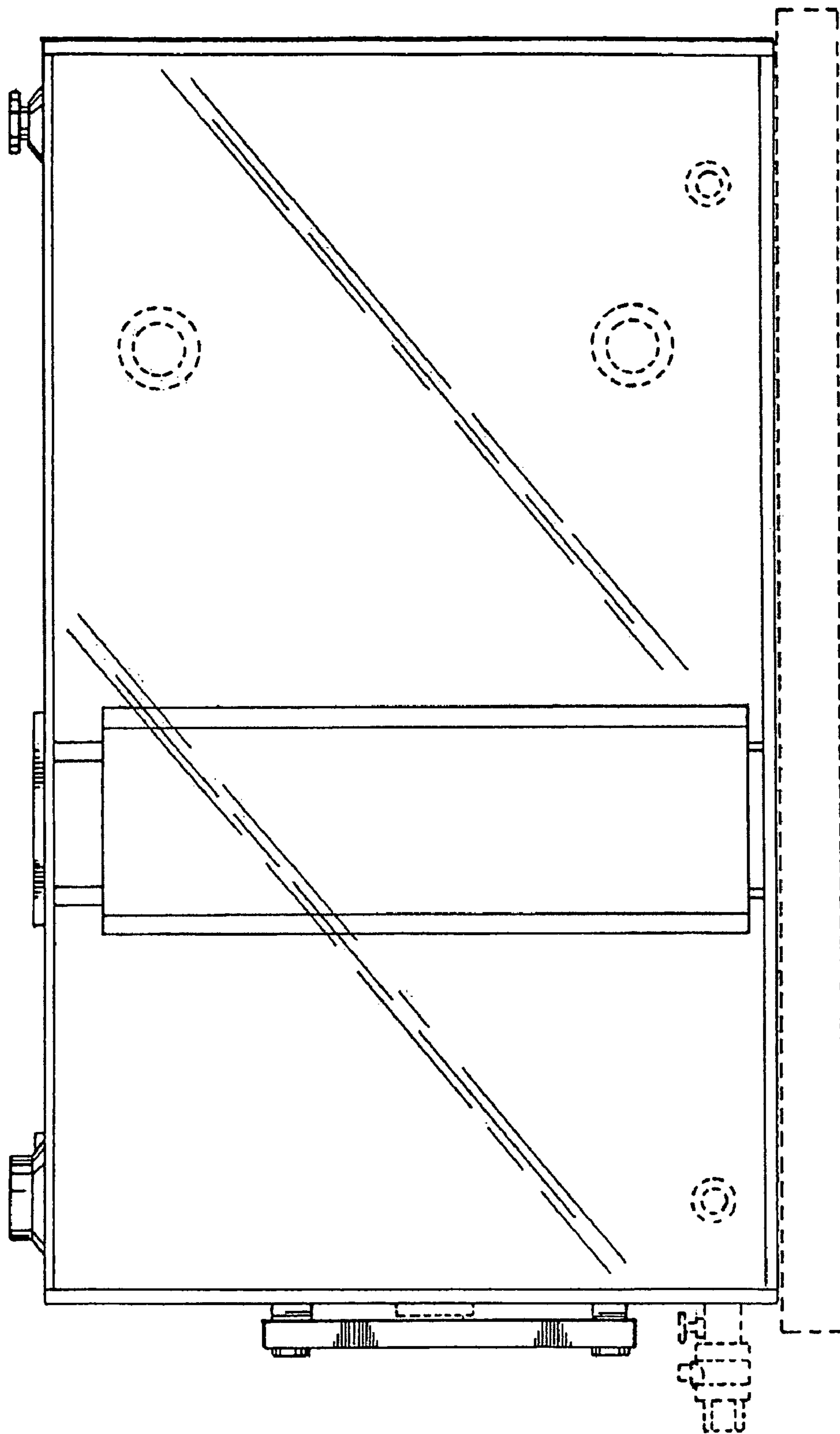


Fig. 3

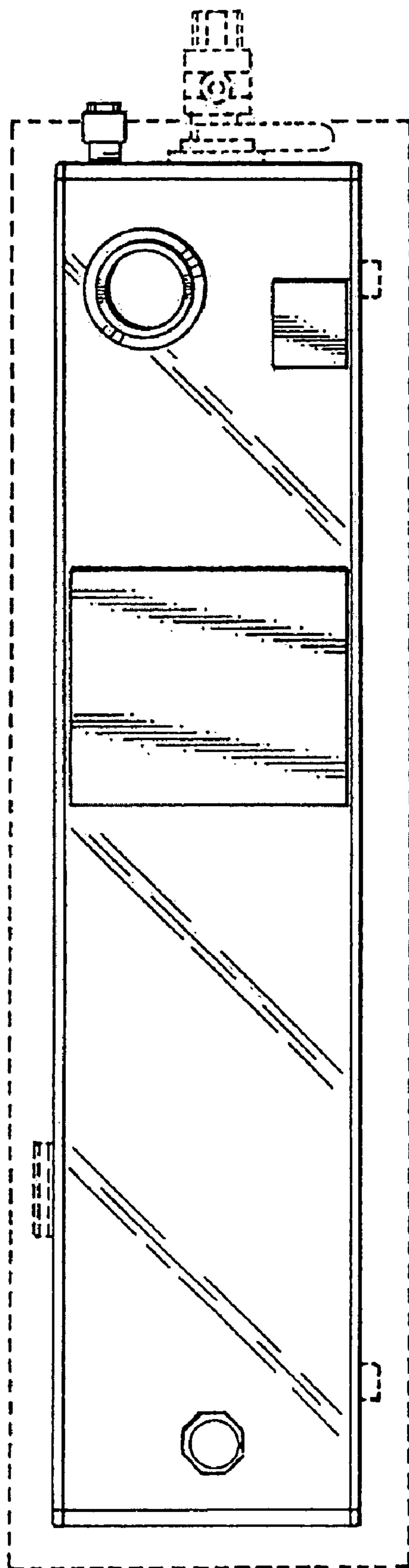


Fig. 4

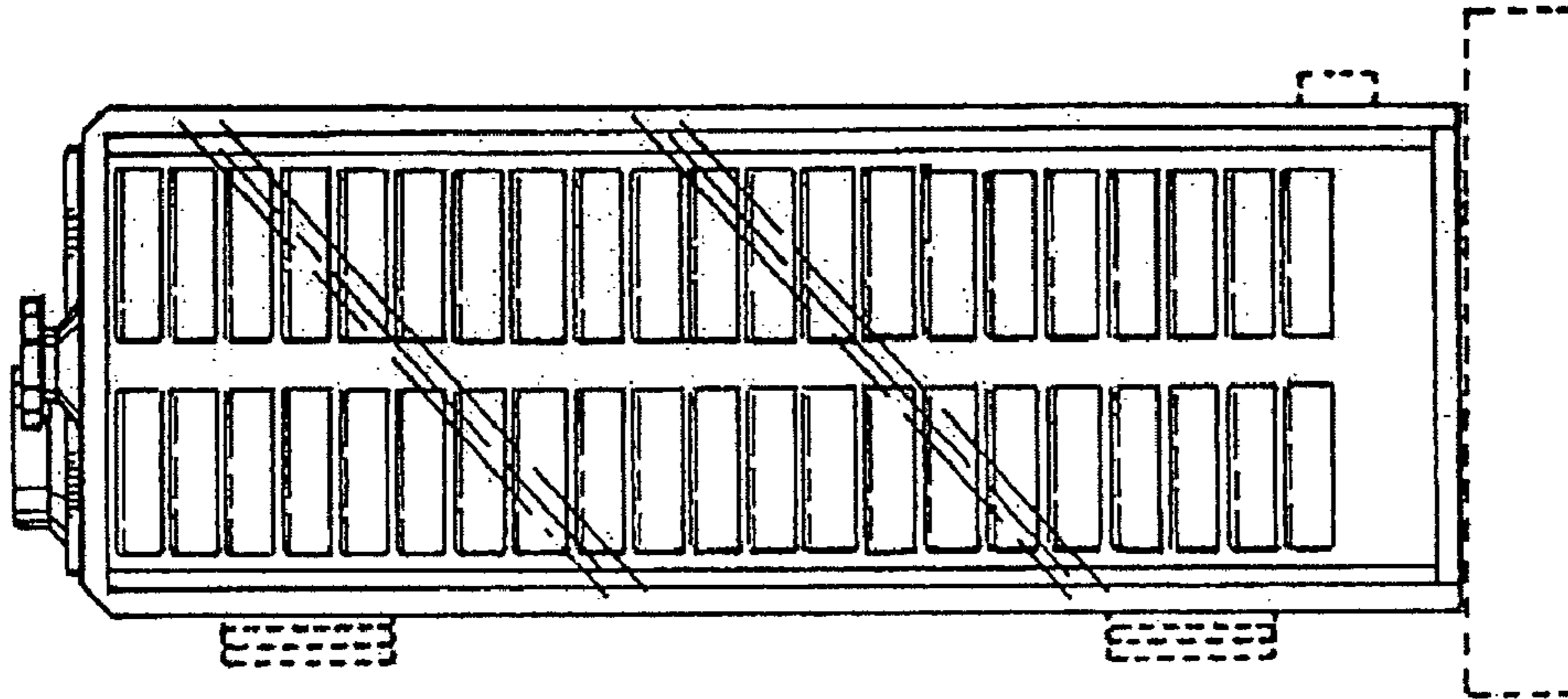


Fig. 6

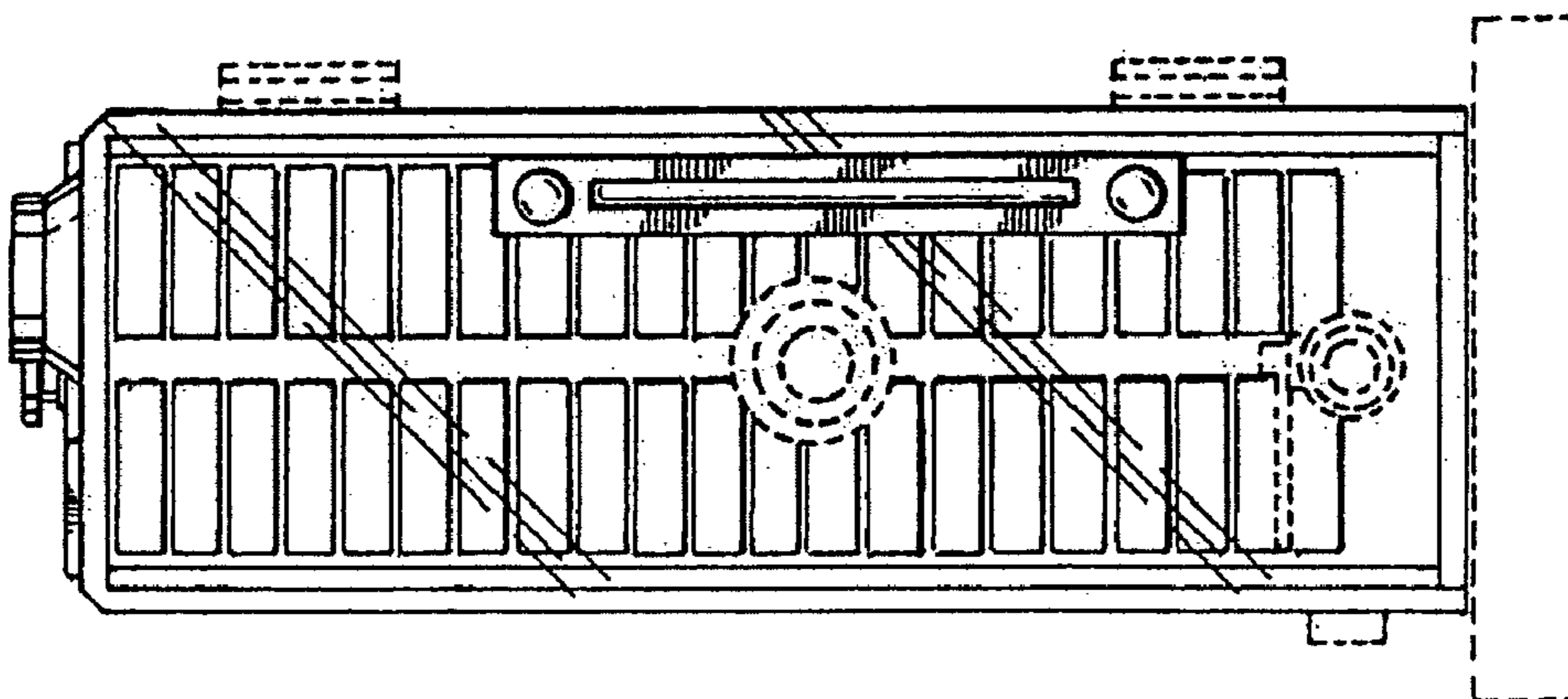


Fig. 5