



US00D614670S

(12) **United States Design Patent**  
**Strauser**

(10) **Patent No.:** **US D614,670 S**

(45) **Date of Patent:** **\*\* Apr. 27, 2010**

(54) **PORTABLE KARAOKE MP3 LYRIC PLAYER**

(76) Inventor: **Jack Strauser**, 7778 Bent Grass Ct.,  
Largo, FL (US) 33777

(\*\*) Term: **14 Years**

(21) Appl. No.: **29/344,731**

(22) Filed: **Oct. 2, 2009**

(51) **LOC (9) Cl.** ..... **14-03**

(52) **U.S. Cl.** ..... **D14/497; D14/496**

(58) **Field of Classification Search** ..... D14/496,  
D14/497, 401, 435, 474, 483, 217, 137, 138,  
D14/160, 168, 356, 203.1–203.8, 507; 345/156,  
345/169, 173–179, 905; 715/727–729, 864;  
710/1, 5, 8; 713/1, 600; 455/1.1, 1.7, 73,  
455/344–347, 93, 95, 3.01–3.06, 550.1, 573.1;  
370/342–344; 369/1, 2, 6–12; 463/43–47;  
273/148 B

See application file for complete search history.

(56) **References Cited**

**U.S. PATENT DOCUMENTS**

5,781,853 A \* 7/1998 Johnson ..... 455/351  
6,328,570 B1 \* 12/2001 Ng ..... 434/307 A  
D461,469 S \* 8/2002 Wang et al. .... D14/497  
D469,752 S \* 2/2003 Cuvelier ..... D14/497  
6,535,269 B2 \* 3/2003 Sherman et al. .... 352/6

6,563,038 B2 \* 5/2003 Kikuchi ..... 84/610  
6,661,496 B2 \* 12/2003 Sherman et al. .... 352/6  
D505,960 S \* 6/2005 Steele et al. .... D14/497  
D509,223 S \* 9/2005 Steele et al. .... D14/497  
D512,994 S \* 12/2005 Lee ..... D14/497  
D524,325 S \* 7/2006 Lau et al. .... D14/497

\* cited by examiner

*Primary Examiner*—Prabhakar Deshmukh

(74) *Attorney, Agent, or Firm*—Larson & Larson, P.A.; Frank  
Liebenow

(57) **CLAIM**

I claim the ornamental design for a portable karaoke MP3  
lyric player, as shown and described.

**DESCRIPTION**

FIG. 1 is a front elevation view of the portable karaoke MP3  
lyric player showing my novel design;

FIG. 2 is a rear elevation view thereof;

FIG. 3 is a left side elevation view thereof;

FIG. 4 is a right side elevation view thereof;

FIG. 5 is a top plan view thereof;

FIG. 6 is a bottom plan view thereof; and,

FIG. 7 is a perspective view thereof.

**1 Claim, 5 Drawing Sheets**

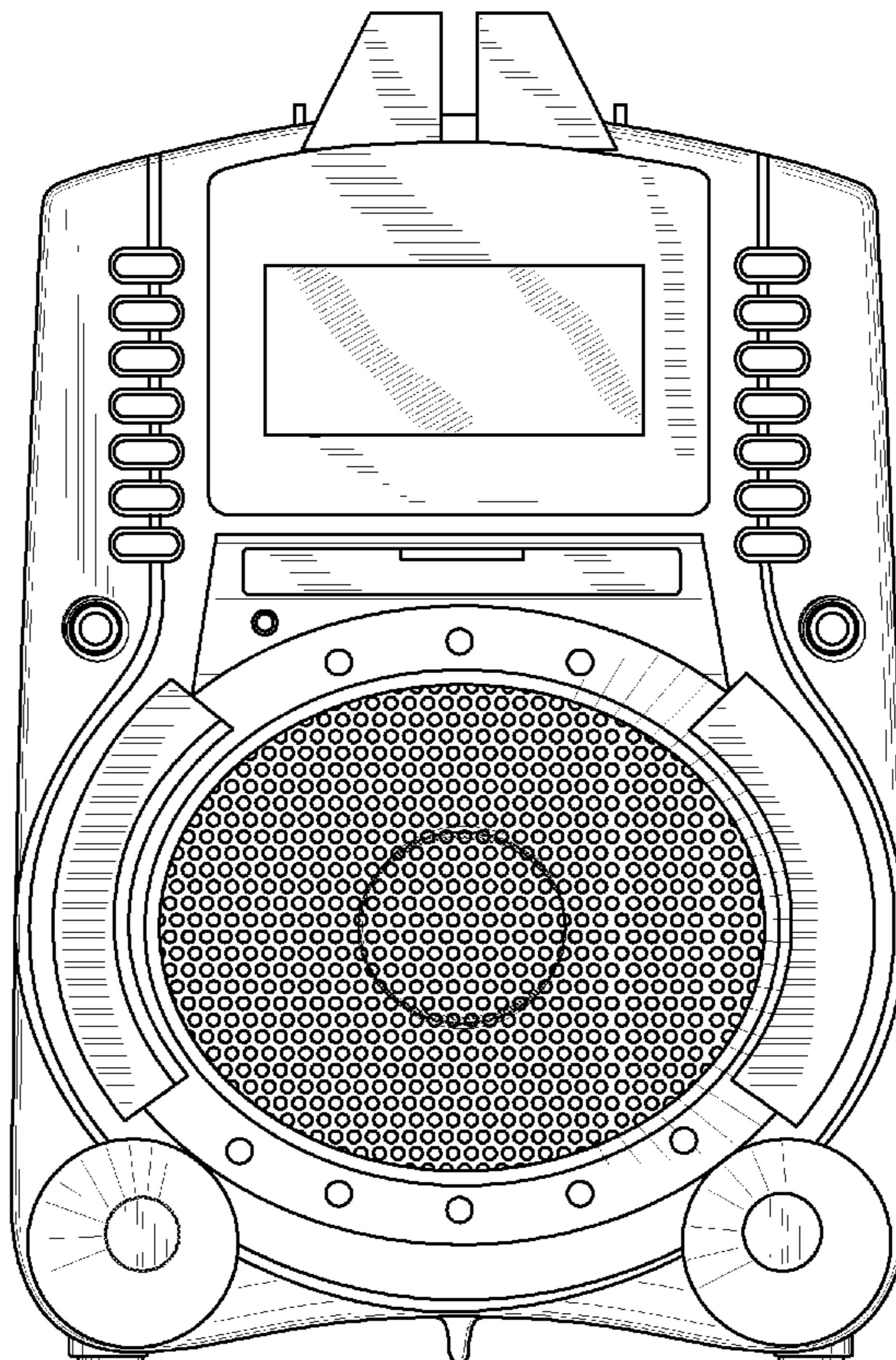


FIG. 1

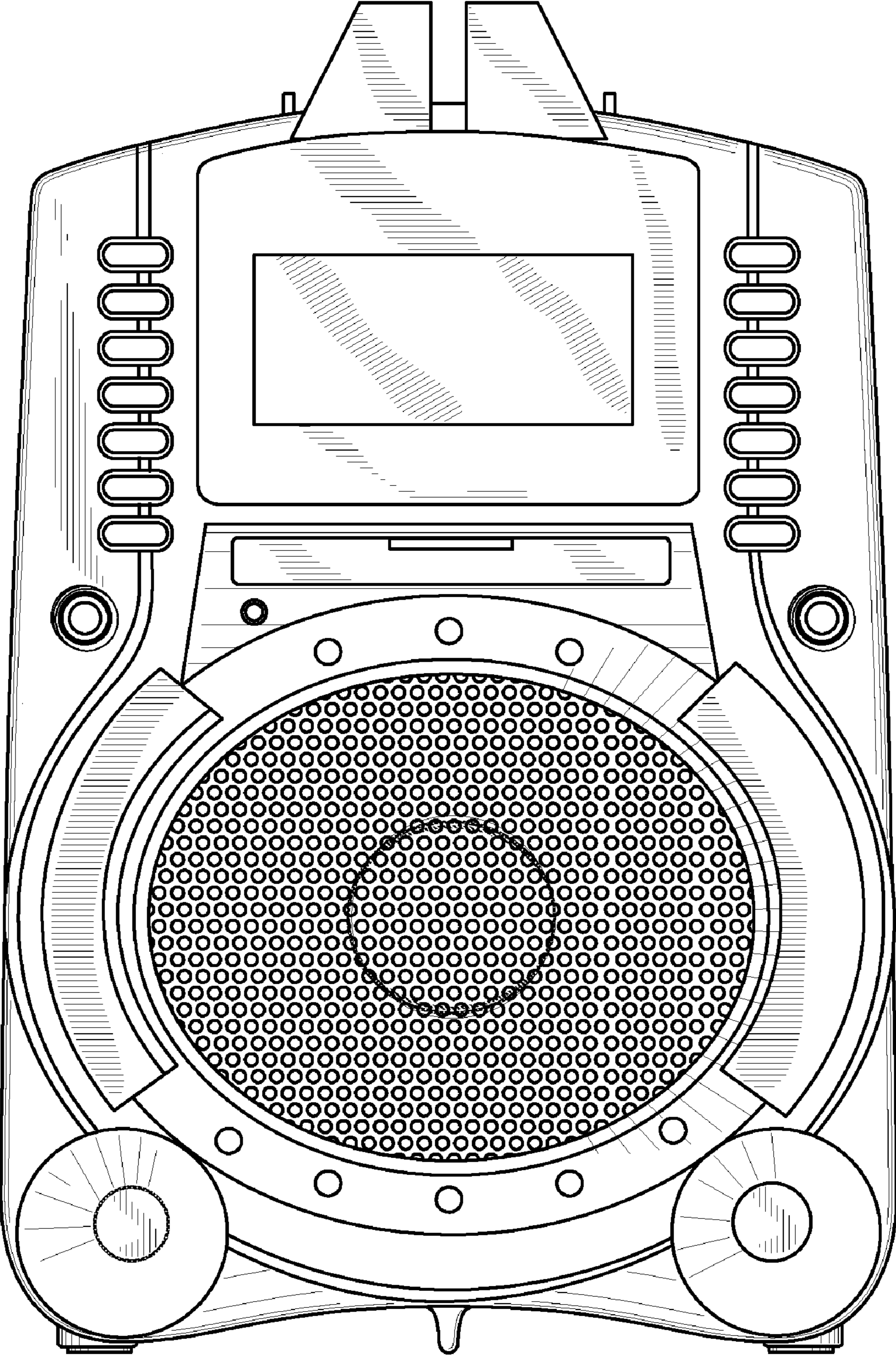


FIG. 2

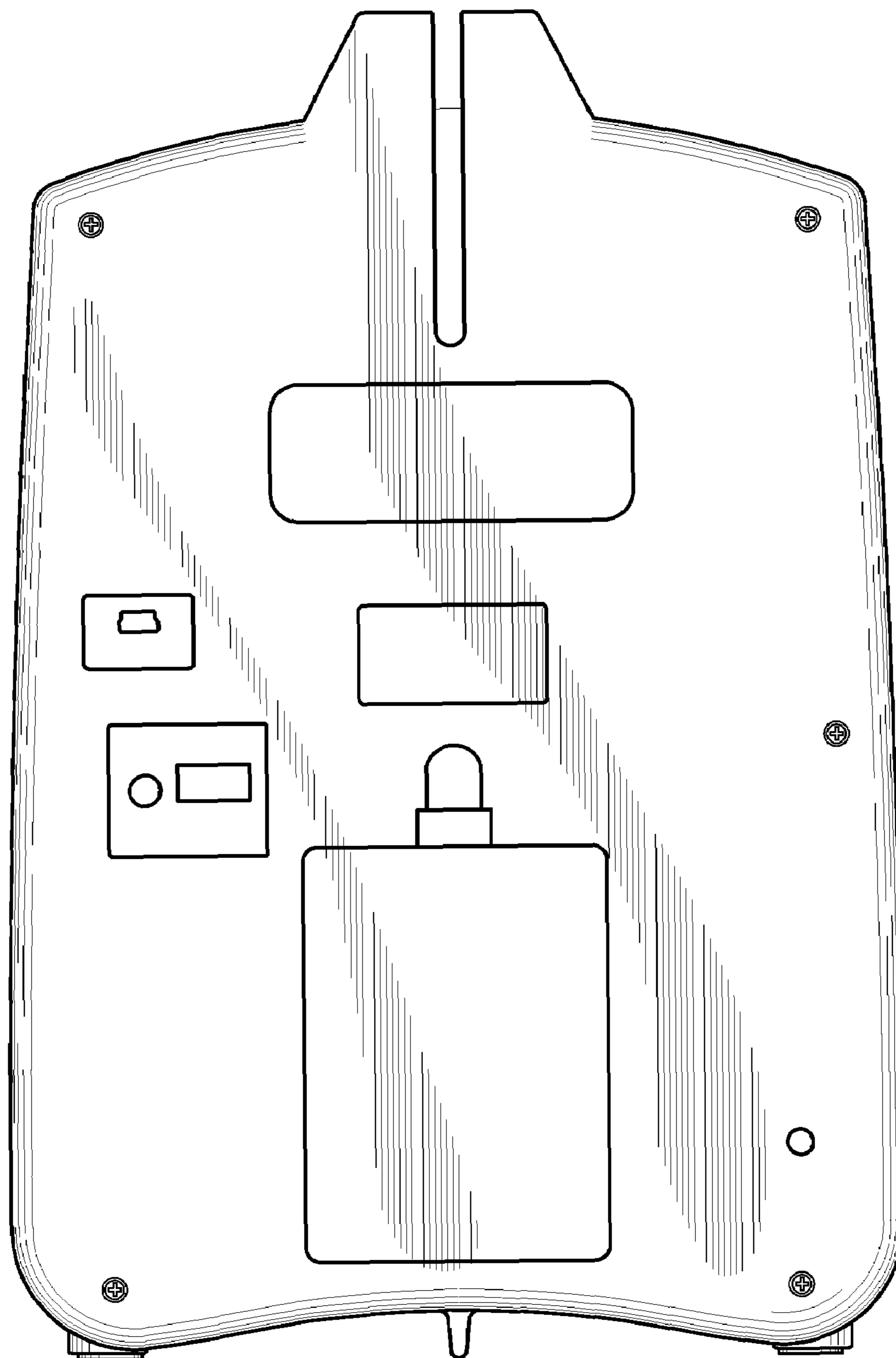




FIG. 3

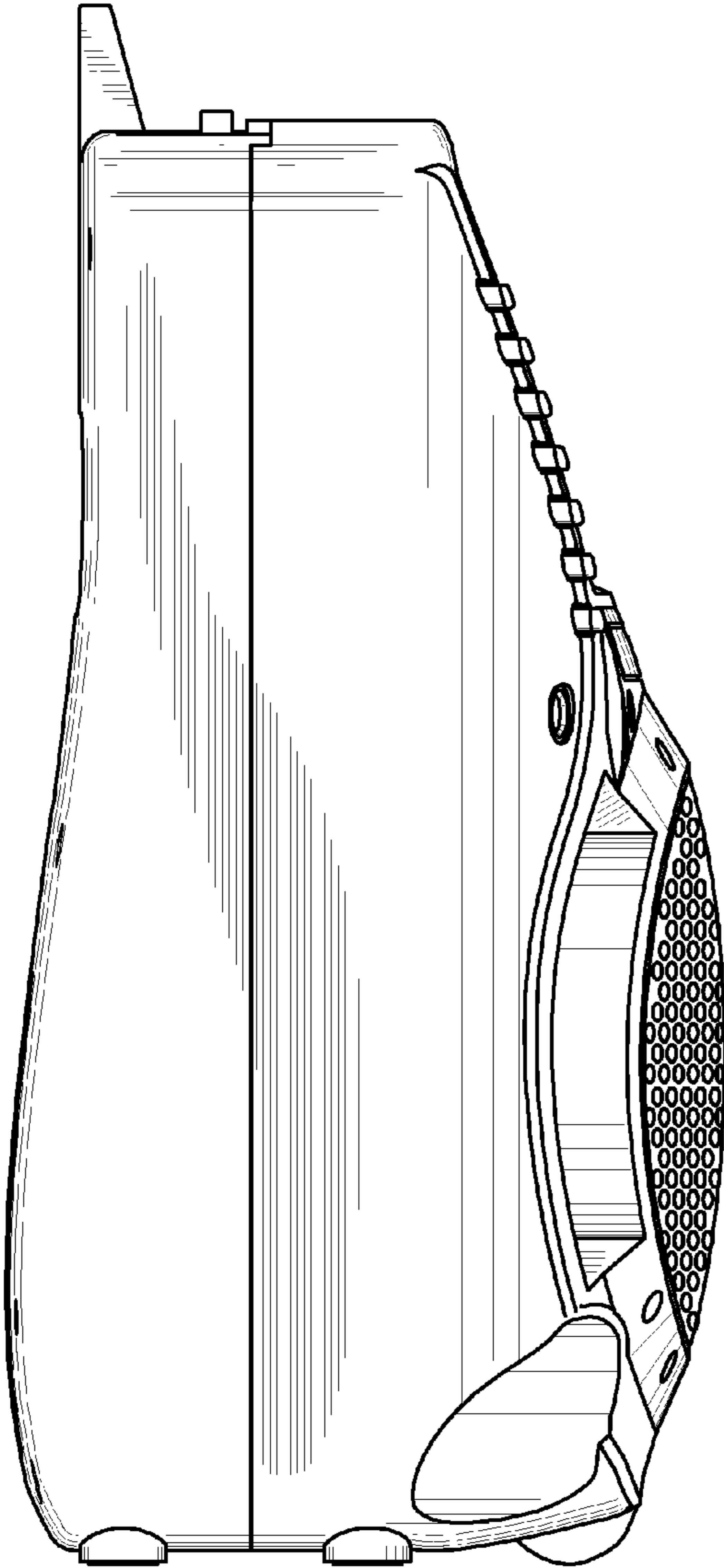


FIG. 4

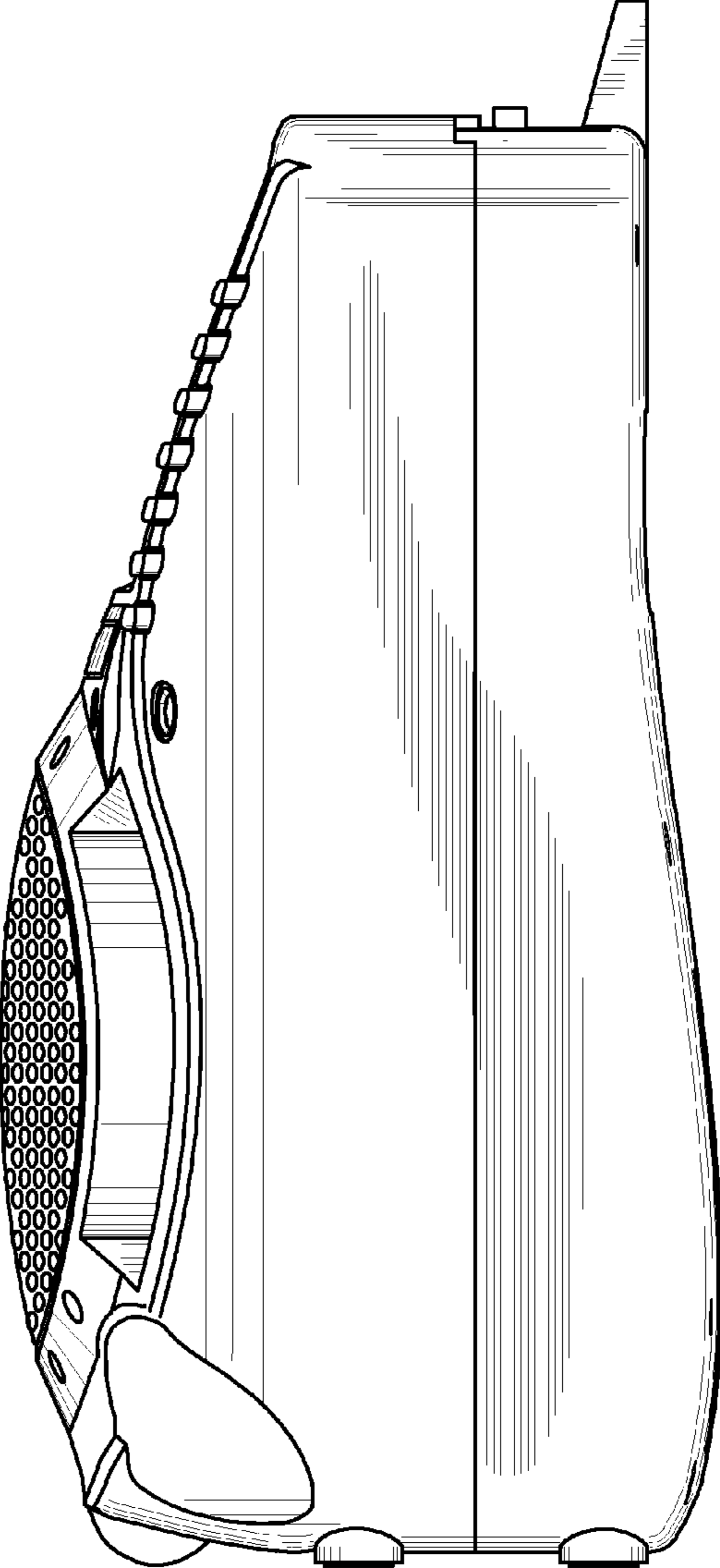


FIG. 5

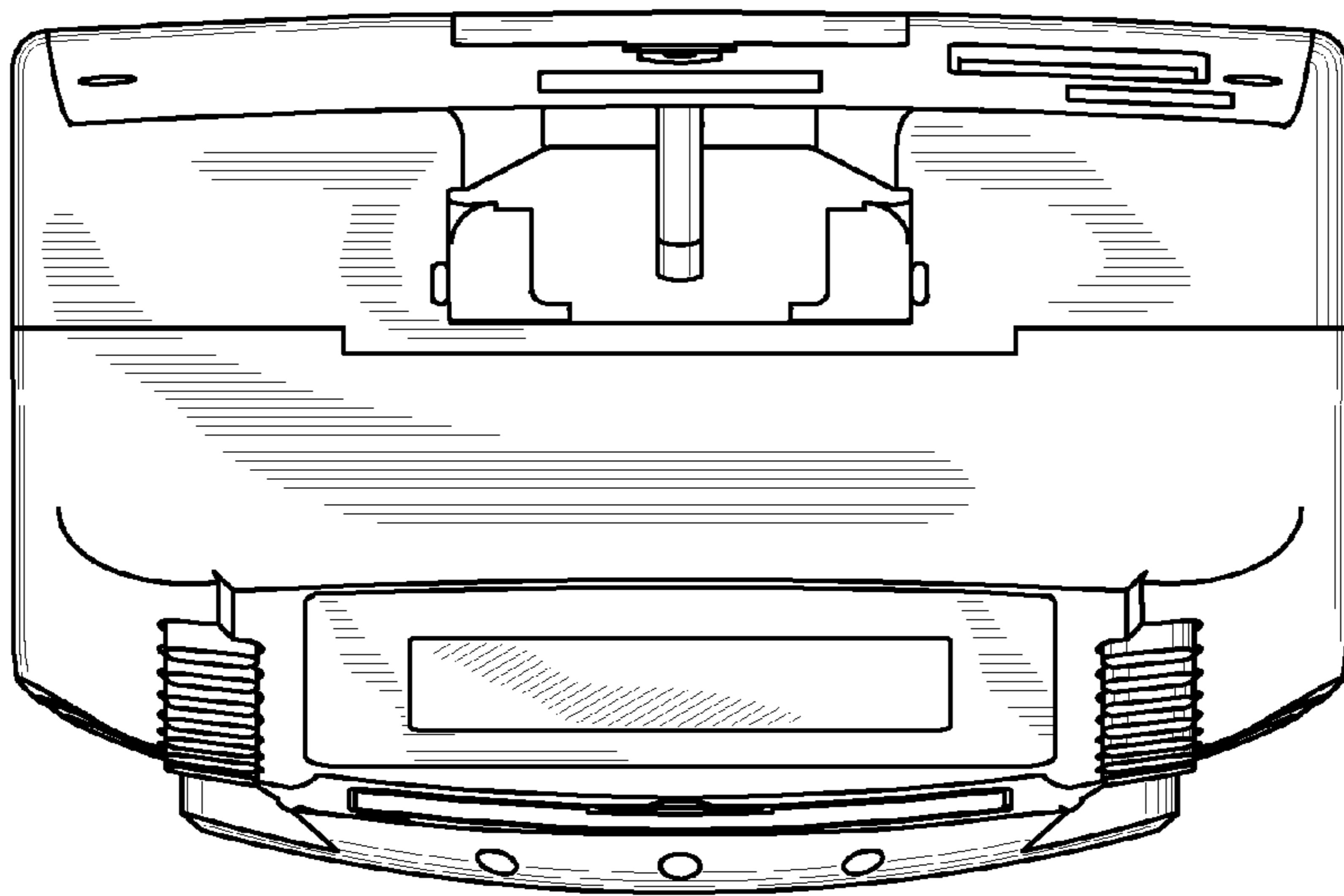


FIG. 6

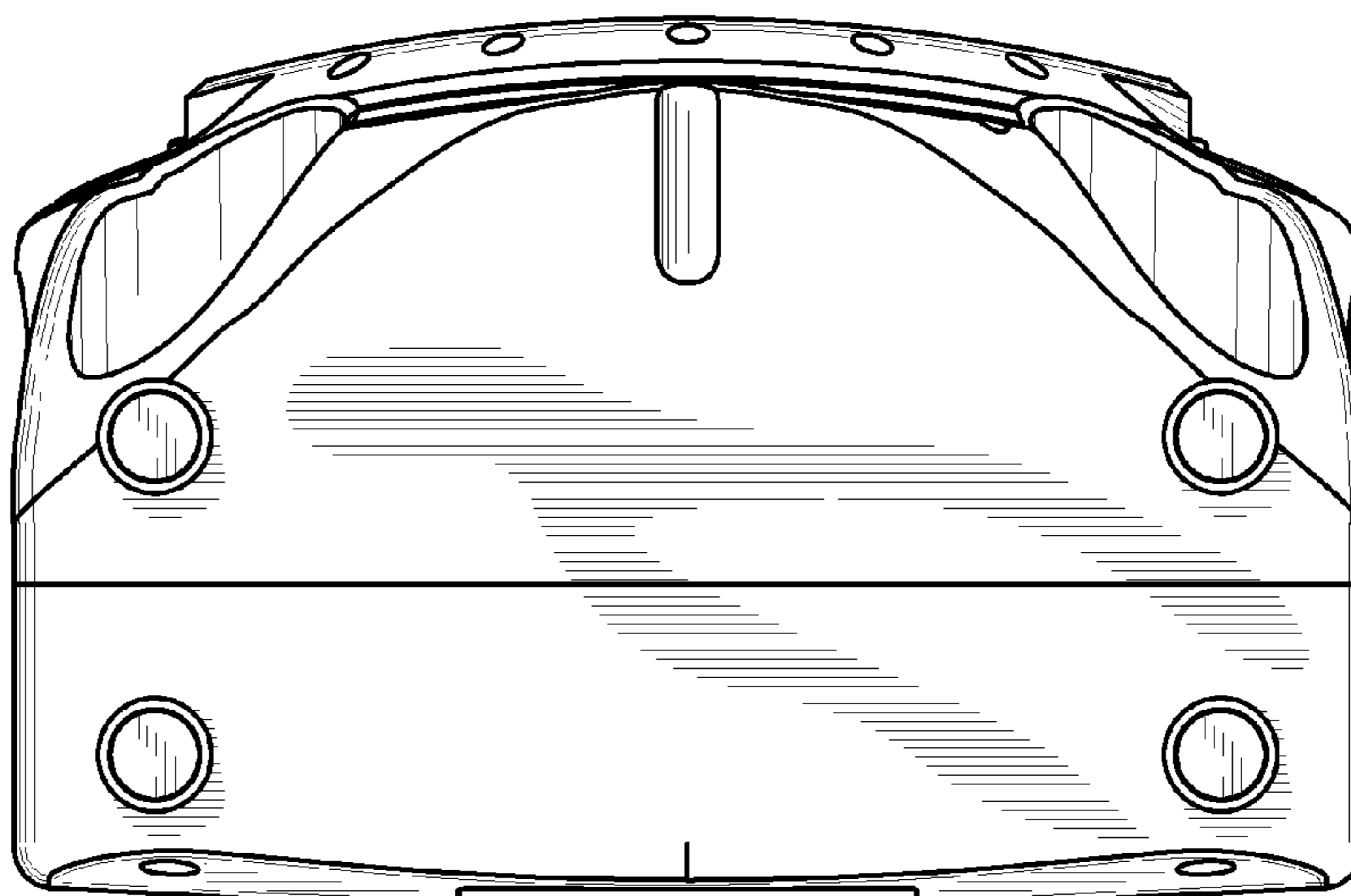


FIG. 7

