



US00D614668S

(12) **United States Design Patent**
Jones et al.

(10) **Patent No.:** **US D614,668 S**

(45) **Date of Patent:** **** Apr. 27, 2010**

(54) **MEDIA PLAYER**

(75) Inventors: **Gregory G. Jones**, Seattle, WA (US);
Sung Ho Son, Redmond, WA (US);
Scott Andrew Dallmeyer, San
Francisco, CA (US); **Norio Fujikawa**,
San Francisco, CA (US)

(73) Assignee: **Microsoft Corporation**, Redmond, WA
(US)

(**) Term: **14 Years**

(21) Appl. No.: **29/335,248**

(22) Filed: **Apr. 10, 2009**

(51) **LOC (9) Cl.** **14-03**

(52) **U.S. Cl.** **D14/496; D14/203.7**

(58) **Field of Classification Search** D14/496,
D14/401, 435, 474, 483, 217, 137, 138, 160,
D14/168, 356, 341, 203.1–203.7, 507; 345/156,
345/169, 173–179, 905; 715/727–729, 864;
710/1, 5, 8; 713/1, 600; 455/1.1, 1.7, 73,
455/344–347, 93, 95, 3.01–3.06, 550.1, 573.1;
370/342–344; 369/1, 2, 6–12; 463/43–47;
273/148 B

See application file for complete search history.

(56) **References Cited**

U.S. PATENT DOCUMENTS

5,825,408 A * 10/1998 Yuyama et al. 348/14.01
5,859,594 A * 1/1999 King et al. 340/7.55
D522,019 S * 5/2006 Peng D14/203.7
D532,791 S * 11/2006 Kim D14/203.7
7,203,529 B2 * 4/2007 Kim et al. 455/575.1

D556,211 S * 11/2007 Howard D14/496
D560,231 S * 1/2008 Lee D14/496
D581,922 S * 12/2008 Andre et al. D14/341
D593,132 S * 5/2009 Kim D14/496
D598,424 S * 8/2009 Andre et al. D14/203.7
D598,426 S * 8/2009 Kim et al. D14/203.7
D601,122 S * 9/2009 Hibino et al. D14/203.7

* cited by examiner

Primary Examiner—Prabhakar Deshmukh

(74) *Attorney, Agent, or Firm*—Banner & Witcoff, Ltd.

(57) **CLAIM**

The ornamental design for a media player, as shown and described.

DESCRIPTION

FIG. 1 is a front isometric view of a media player showing our new design;

FIG. 2 is a front elevational view thereof;

FIG. 3 is a rear elevational view thereof;

FIG. 4 is a right side elevational view thereof;

FIG. 5 is a left side elevational view thereof;

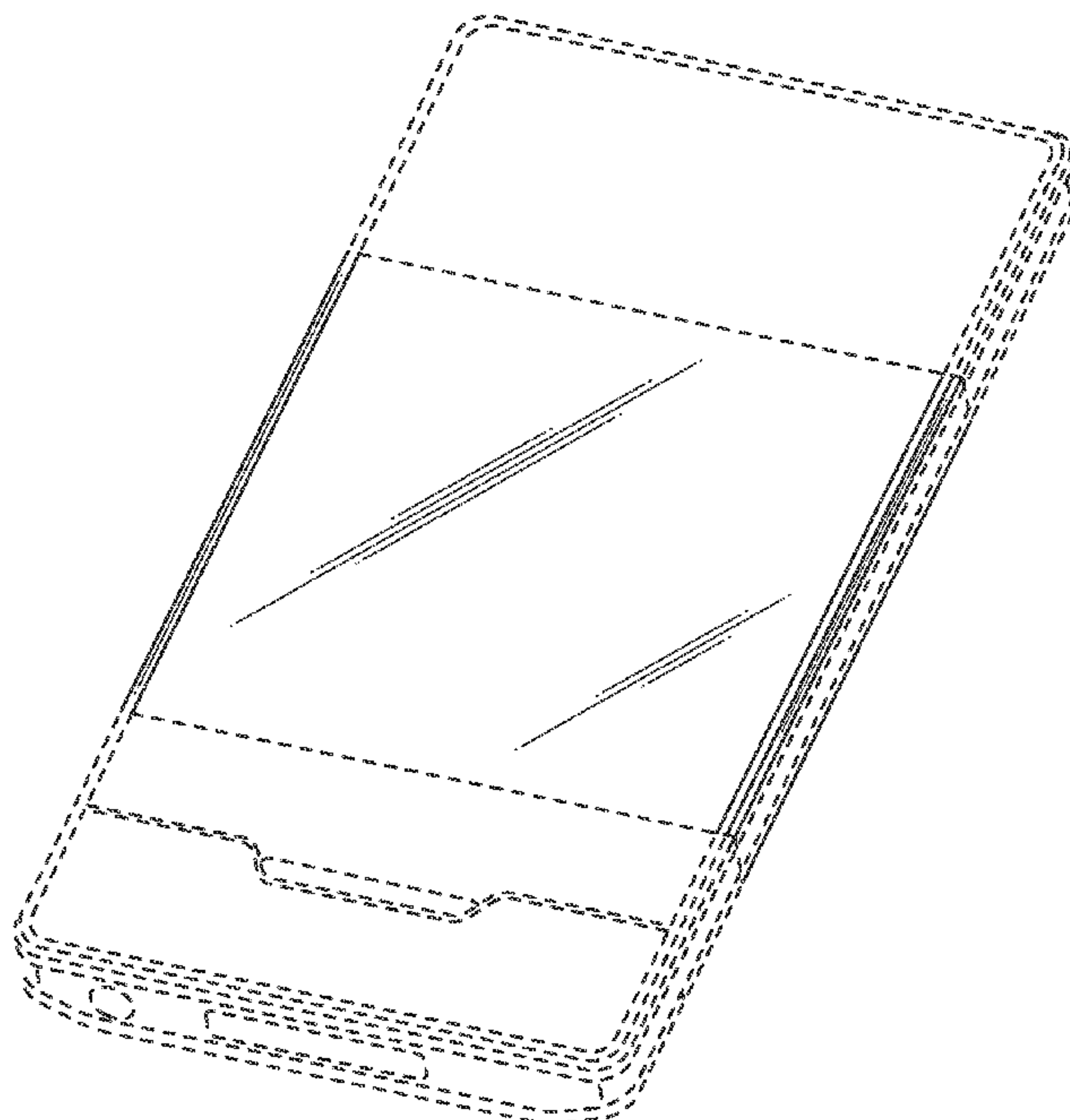
FIG. 6 is a cross-sectional view through line 6—6 of FIG. 2;

FIG. 7 is a top plan view thereof; and,

FIG. 8 is a bottom plan view thereof.

The broken line showing of the remainder of the media player is for environmental purposes only and forms no part of the claimed design. The broken lines, which define the bounds of the claimed design, form no part thereof.

1 Claim, 6 Drawing Sheets



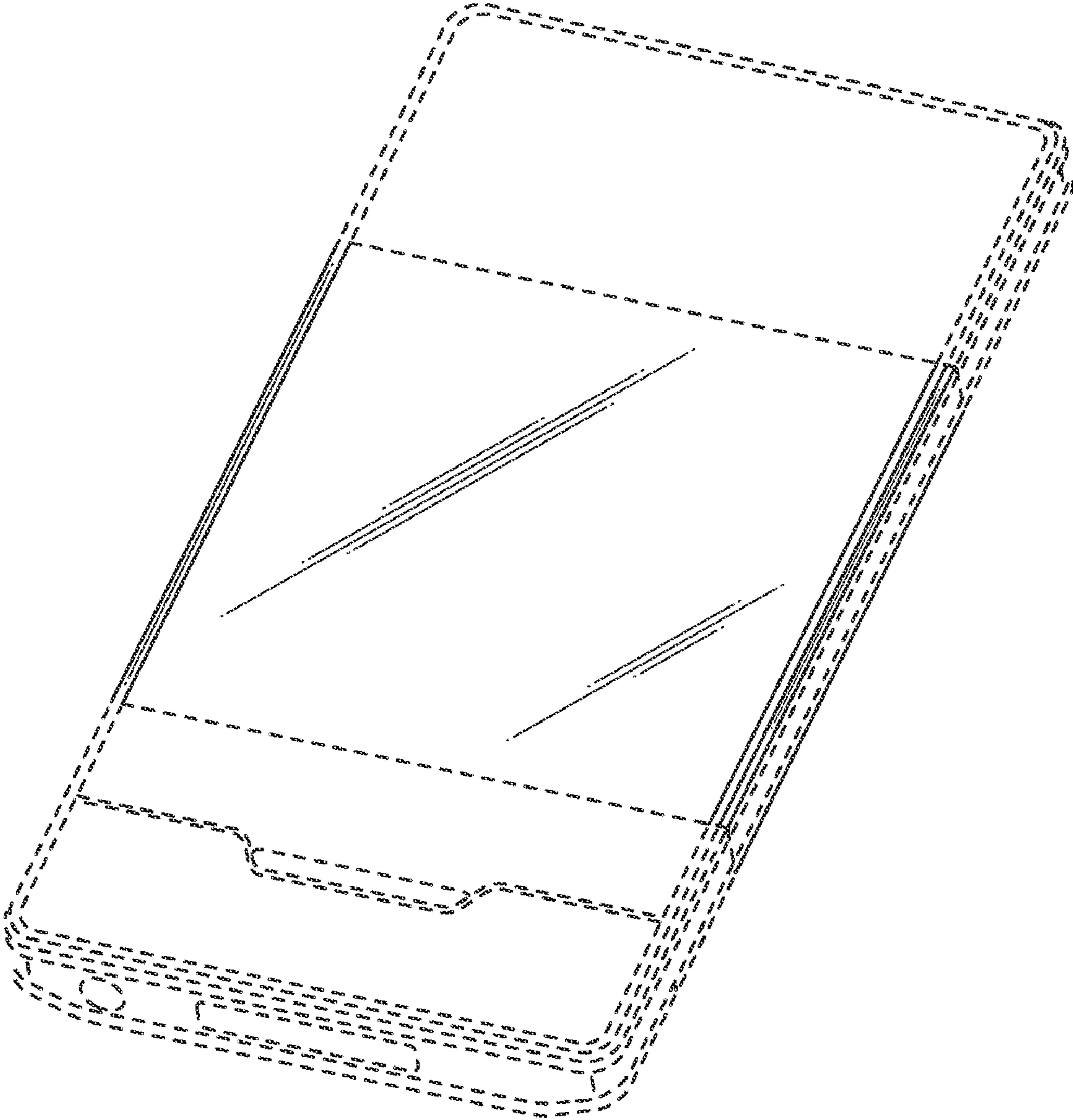


FIG. 1

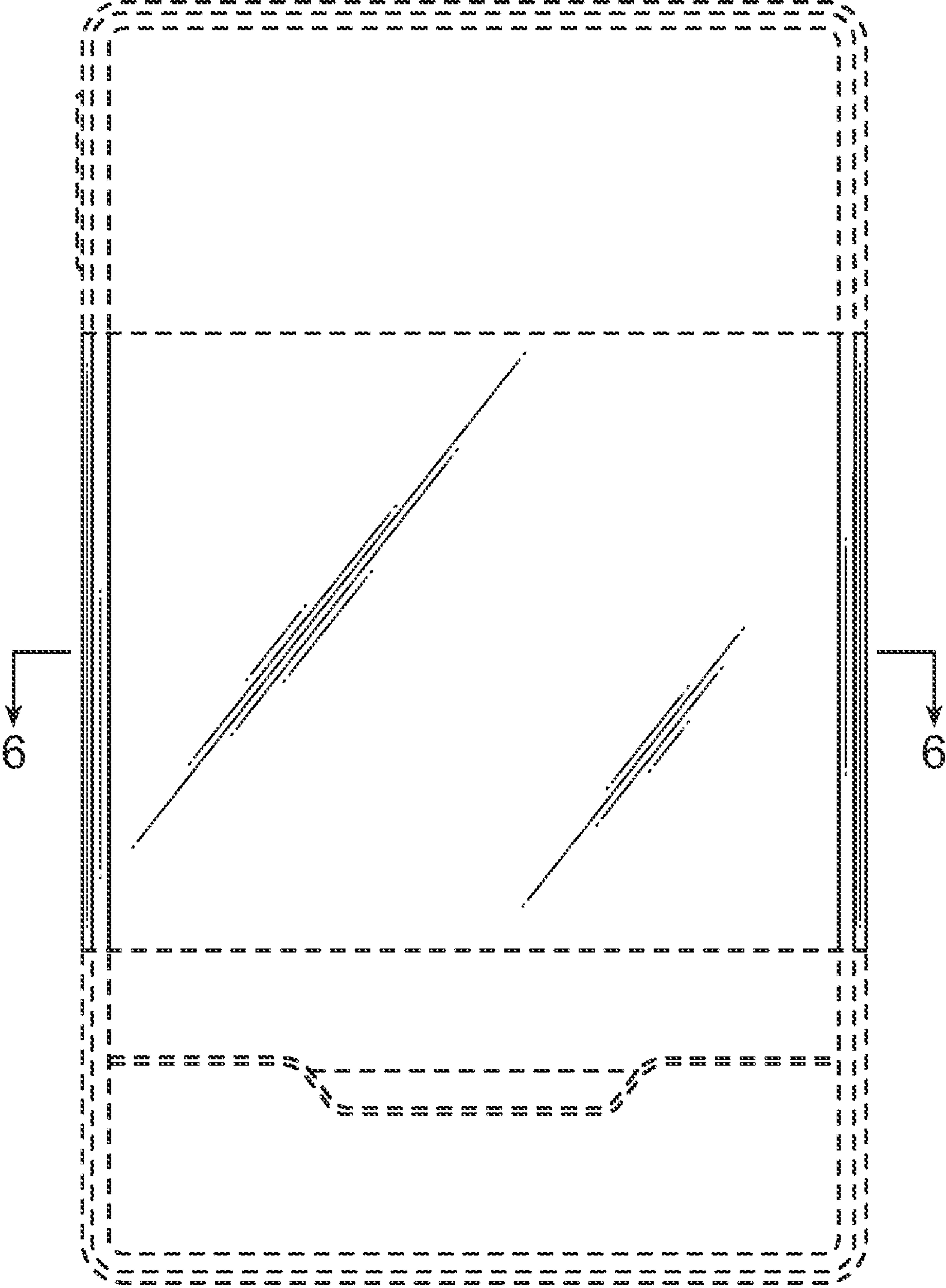


FIG. 2

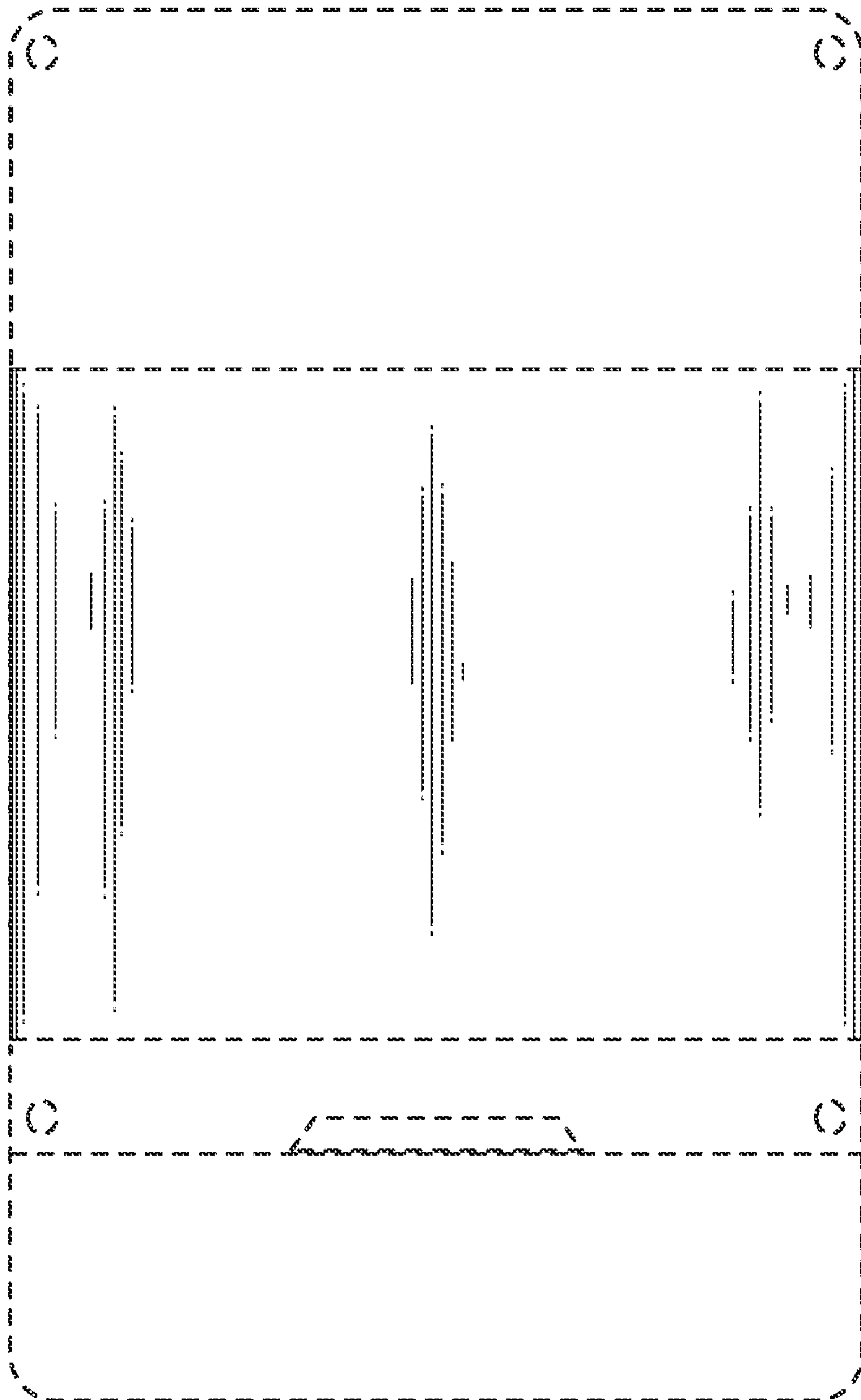


FIG. 3

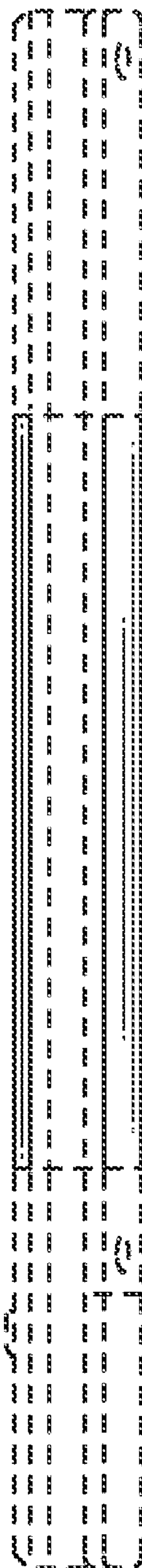


FIG. 4

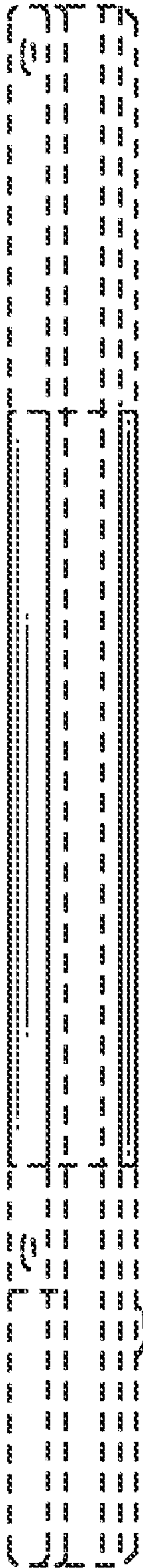


FIG. 5



FIG. 6

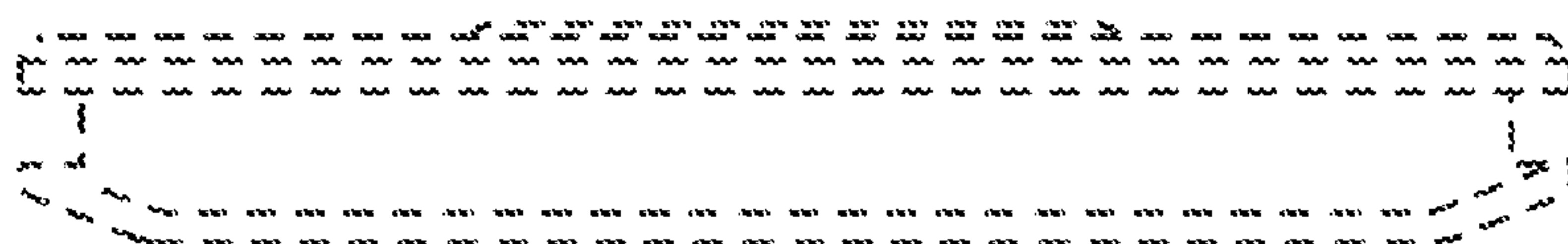


FIG. 7



FIG. 8