



US00D614631S

(12) **United States Design Patent**
Chiang

(10) **Patent No.:** **US D614,631 S**

(45) **Date of Patent:** **** Apr. 27, 2010**

(54) **DUAL-PURPOSE FIXING STAND FOR COMPUTER**

(76) Inventor: **Vance Chiang**, 5F.-2, No. 212, Sec. 1, Wunsin Rd., Taichung City 408 (TW)

(**) Term: **14 Years**

(21) Appl. No.: **29/314,761**

(22) Filed: **Apr. 28, 2009**

(51) **LOC (9) Cl.** **08-07**

(52) **U.S. Cl.** **D14/447**

(58) **Field of Classification Search** D14/451, D14/452, 447, 448, 457, 239, 251, 253, 224, D14/224.1, 432, 439; D8/354, 363, 373, D8/380; D6/449, 512; D10/74; D12/415; 248/917, 918, 919, 920, 921, 922, 923, 924, 248/675, 122.1, 176.1, 176.3, 324, 222.51, 248/222.52, 223.31, 229.1, 229.15, 230.6, 248/230.7, 276.1, 281.11, 371; 361/679.06, 361/679.07, 679.21, 679.22, 825, 679.55, 361/679.56

See application file for complete search history.

(56) **References Cited**

U.S. PATENT DOCUMENTS

D337,333 S * 7/1993 Turk D14/251
5,687,945 A * 11/1997 Lee 248/442.2
D491,574 S * 6/2004 Hung D14/452

7,004,438 B2 * 2/2006 Lin 248/289.11
D552,454 S * 10/2007 Fynn D8/363
D558,560 S * 1/2008 Ciungan D8/363
D562,114 S * 2/2008 Chiu et al. D8/363
D568,888 S * 5/2008 Eyman et al. D14/451
D587,188 S * 2/2009 Mo D12/415
D590,238 S * 4/2009 Richter D8/363
D591,756 S * 5/2009 Wohlford et al. D14/452
2003/0132356 A1 * 7/2003 Copeland 248/282.1
2006/0011795 A1 * 1/2006 Dobbins 248/276.1

* cited by examiner

Primary Examiner—Jennifer Rivard
Assistant Examiner—Angela J Lee

(57) **CLAIM**

The ornamental design for a dual-purpose fixing stand for computer, as shown and described.

DESCRIPTION

Fig. 1 is a front perspective view of a dual-purpose fixing stand for computer showing my new design;

FIG. 2 is a front elevational view;

FIG. 3 is a rear elevational view;

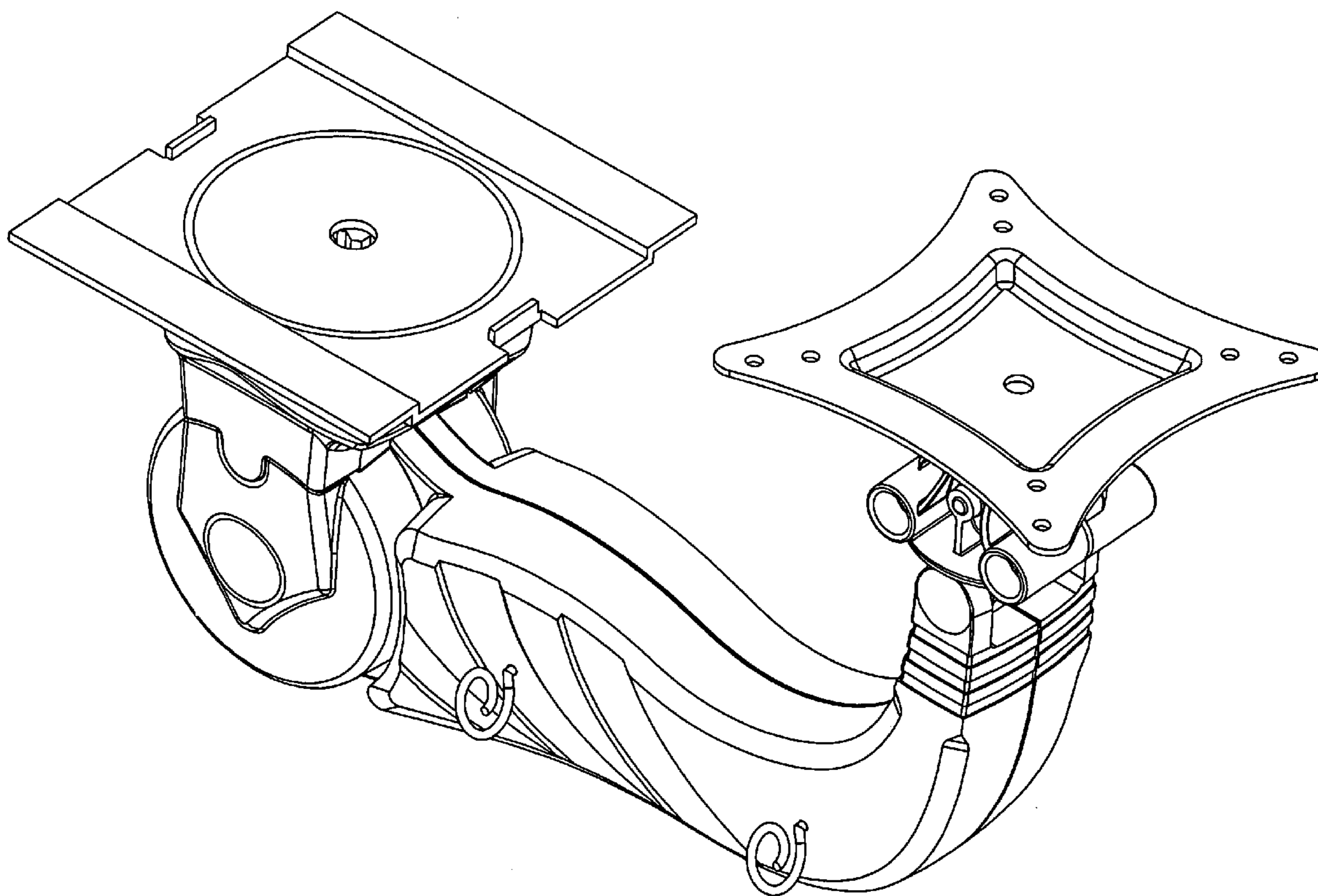
FIG. 4 is a left side elevational view;

FIG. 5 is a right side elevational view

FIG. 6 is a top plan view; and,

FIG. 7 is a bottom plan view thereof.

1 Claim, 7 Drawing Sheets



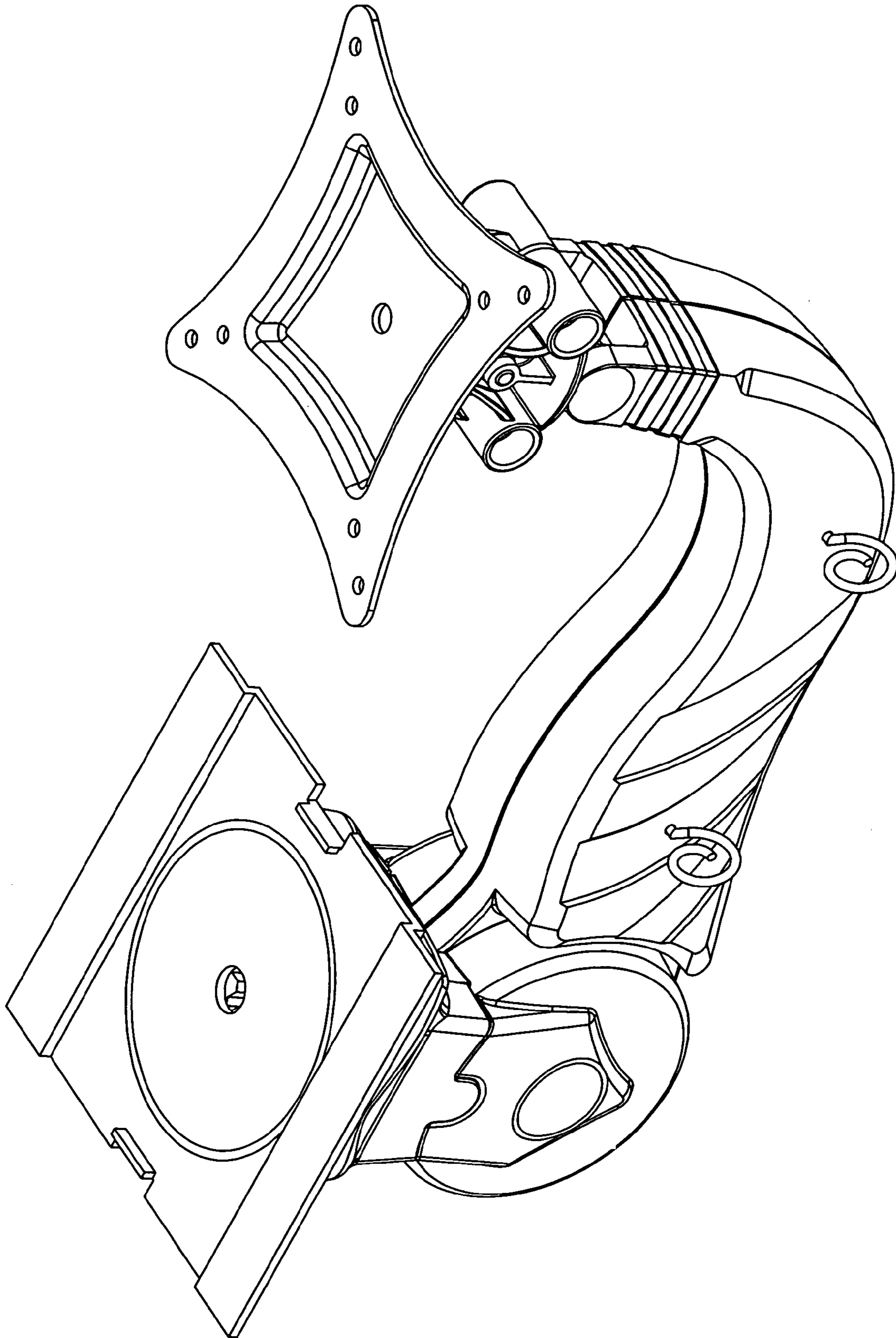


FIG. 1

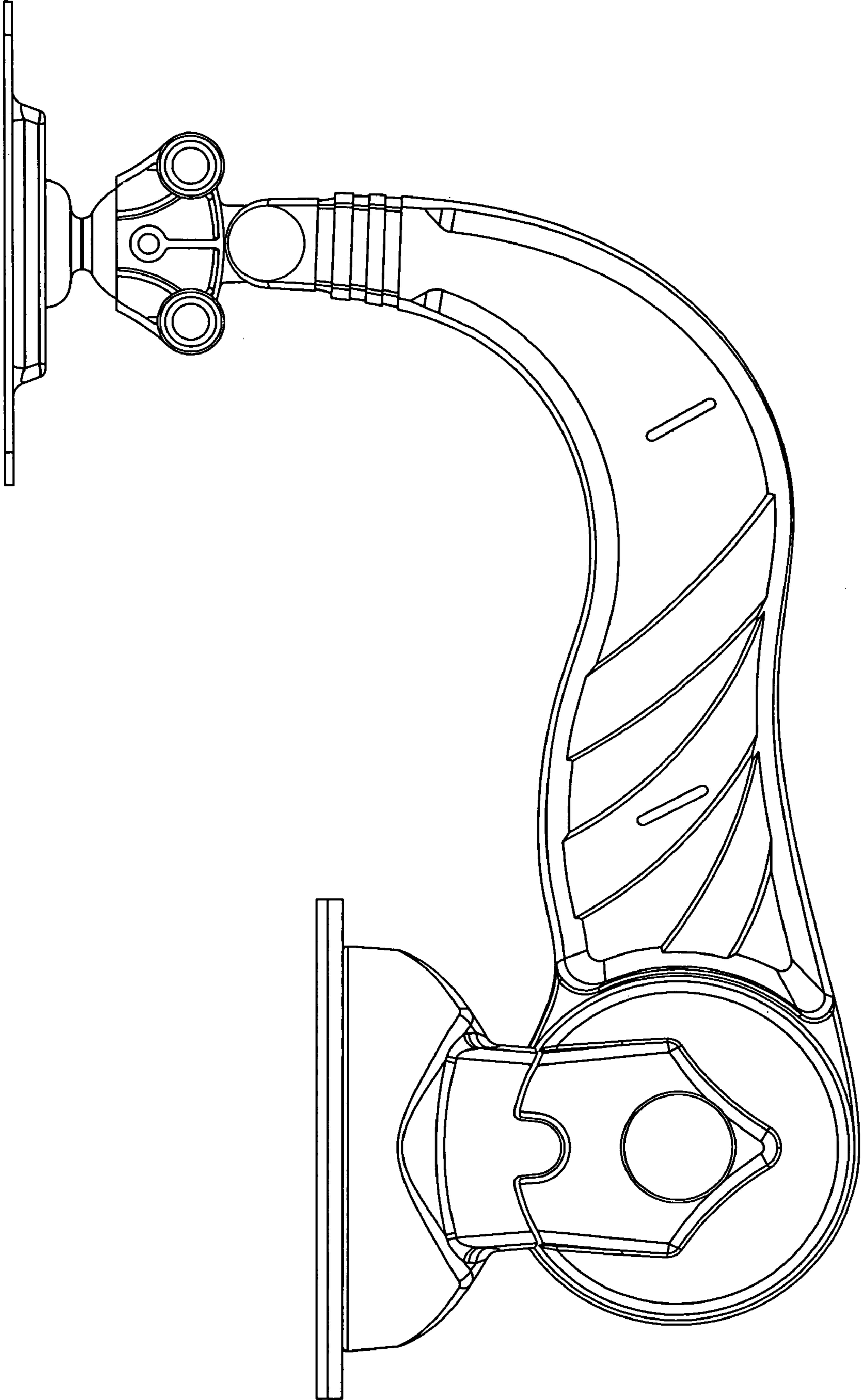


FIG. 2

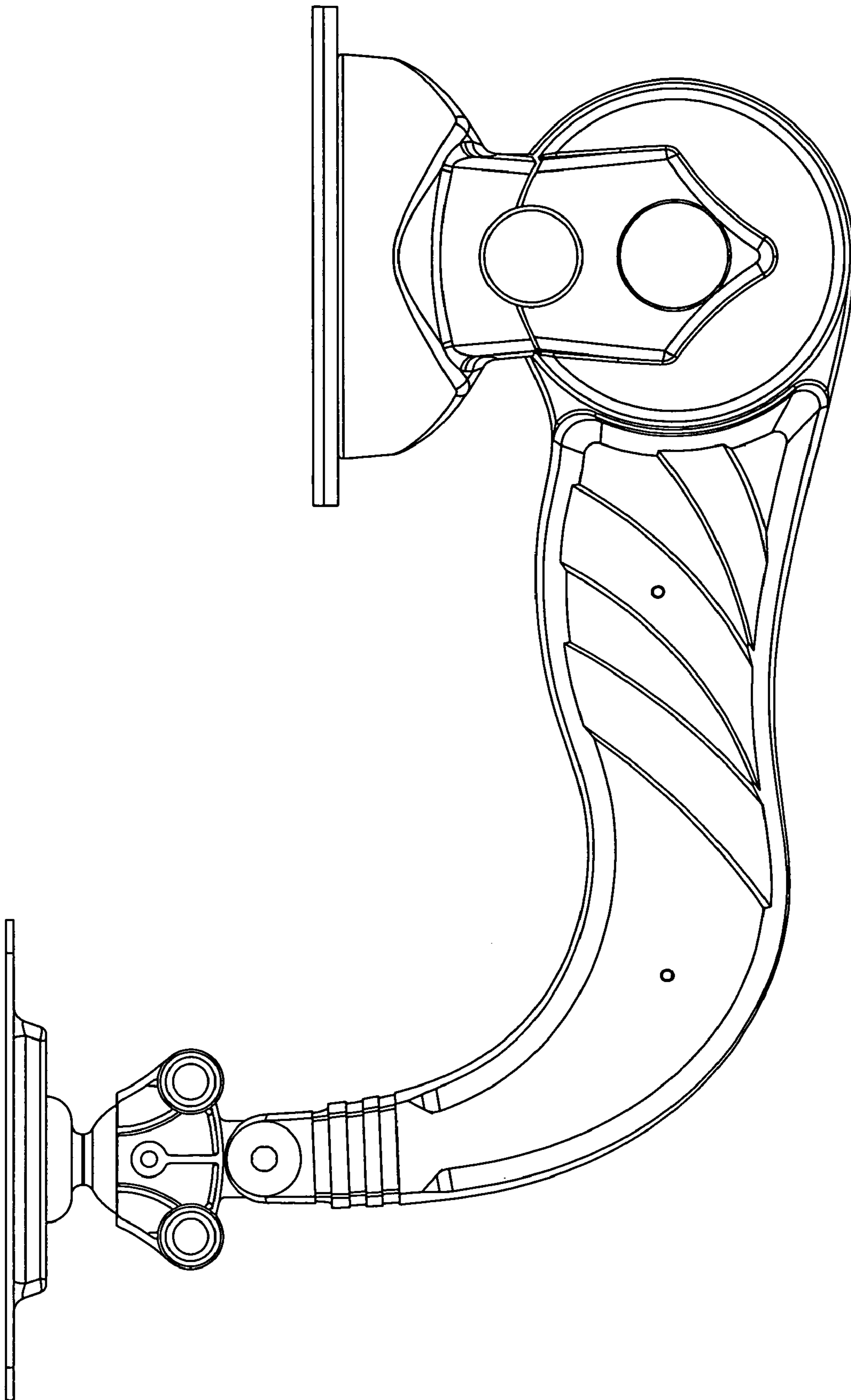


FIG. 3

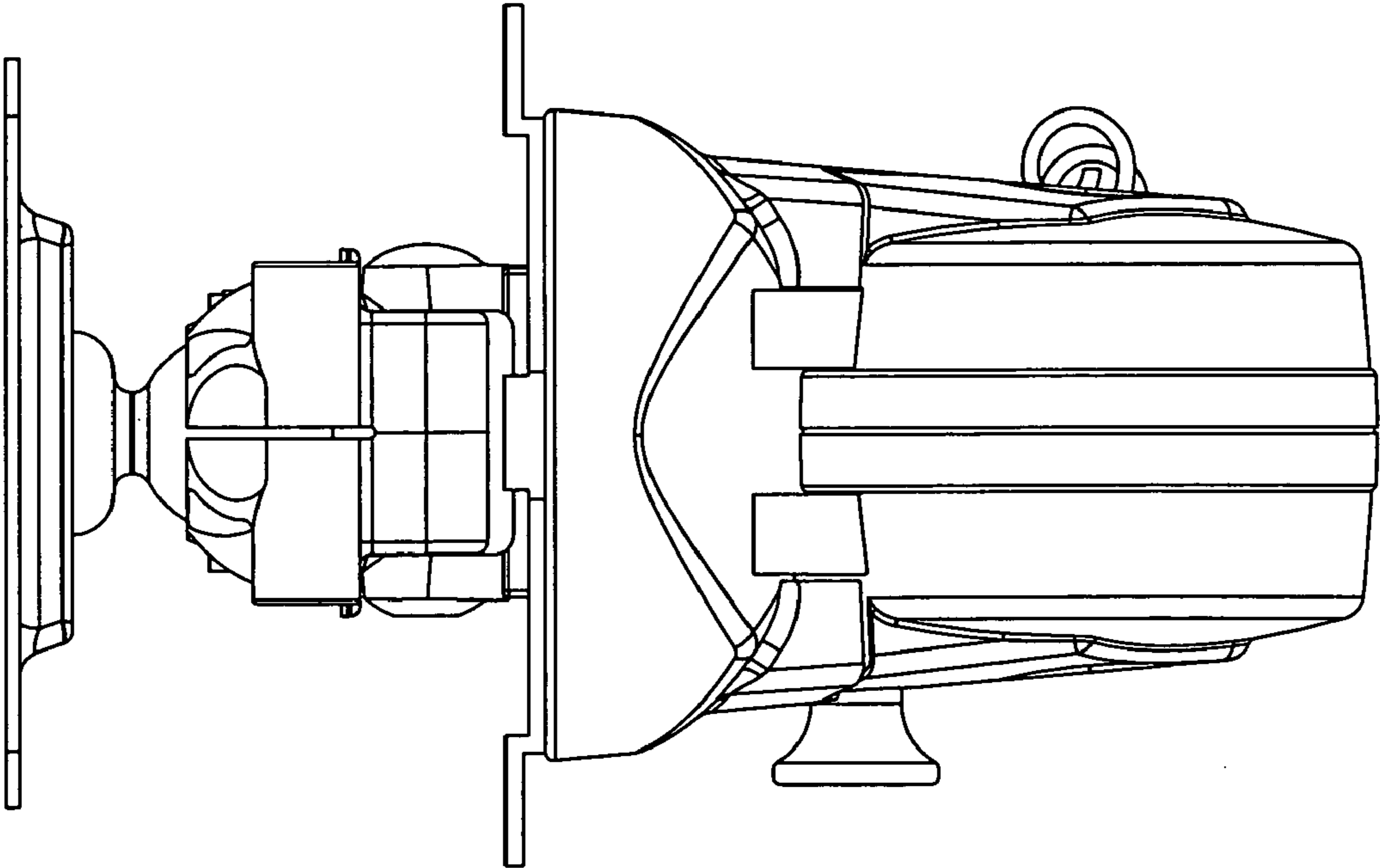


FIG. 4

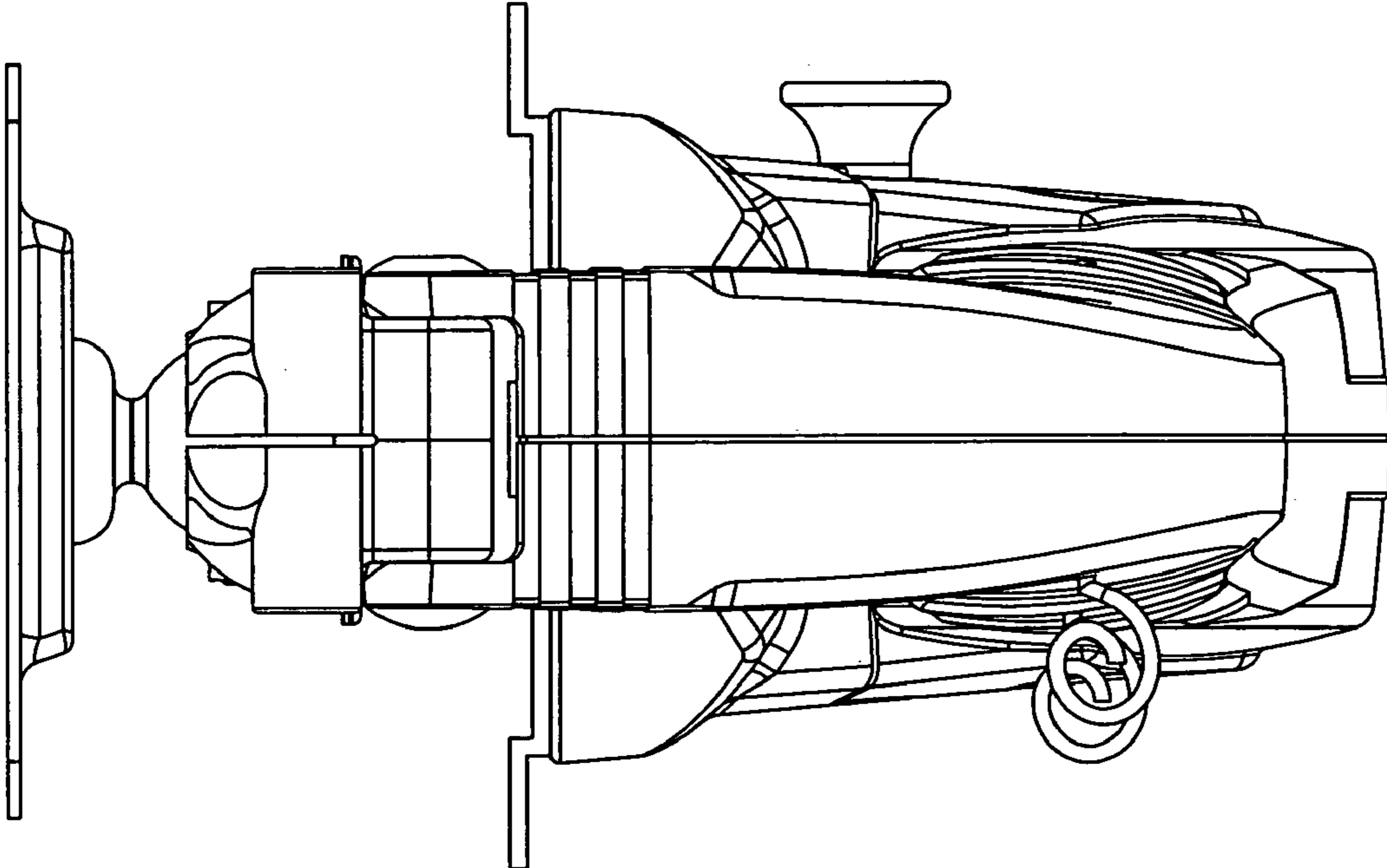


FIG. 5

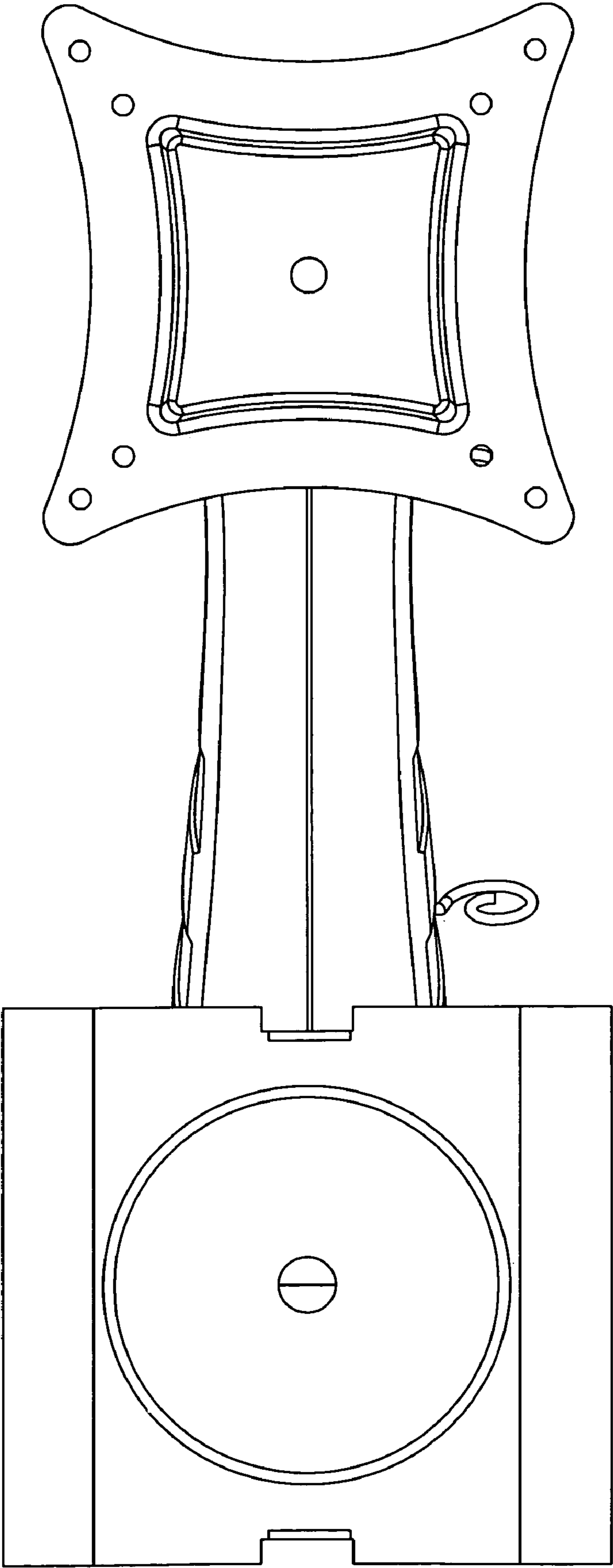


FIG. 6

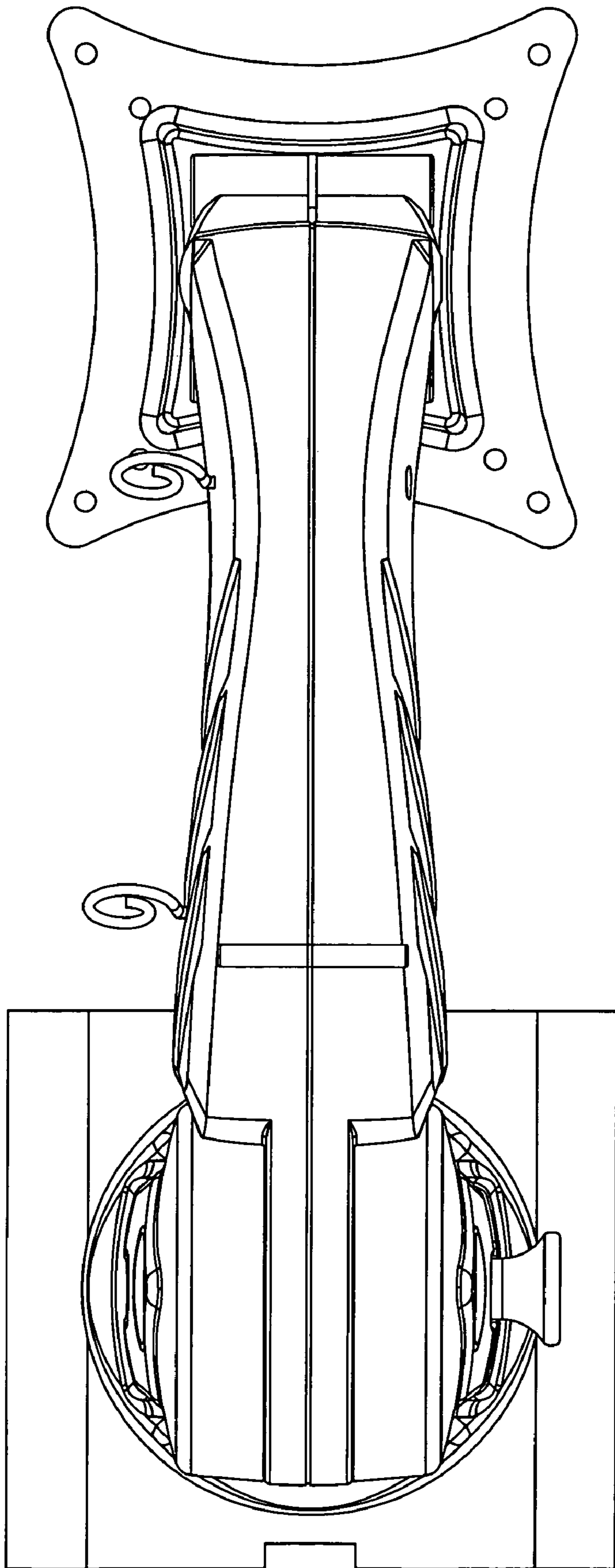


FIG. 7