



US00D614629S

(12) **United States Design Patent**
Wang

(10) **Patent No.:** **US D614,629 S**
(45) **Date of Patent:** **** Apr. 27, 2010**

(54) **FRONT BEZEL FOR A COMPUTER ENCLOSURE**

(75) Inventor: **Ren-Wen Wang**, Shenzhen (CN)

(73) Assignee: **Hon Hai Precision Industry Co., Ltd.**,
Tu-Cheng, Taipei Hsien (TW)

(**) Term: **14 Years**

(21) Appl. No.: **29/334,465**

(22) Filed: **Mar. 27, 2009**

(30) **Foreign Application Priority Data**

Feb. 24, 2009 (CN) 2009 3 0300678

(51) **LOC (9) Cl.** **14-02**

(52) **U.S. Cl.** **D14/444**

(58) **Field of Classification Search** D14/441-446;
D13/162, 184, 199; 312/223.2, 326; 369/34.01,
369/36.01; 361/679.33, 679.55, 727, 679.01,
361/679.02

See application file for complete search history.

(56) **References Cited**

U.S. PATENT DOCUMENTS

6,478,392 B2 * 11/2002 Gan et al. 312/326
D488,479 S * 4/2004 Xu et al. D14/444
6,798,664 B2 * 9/2004 Lin et al. 361/727

D501,481 S * 2/2005 Zhang et al. D14/441
D517,079 S * 3/2006 Zhou et al. D14/444
D547,317 S * 7/2007 Xin et al. D14/441
D574,004 S * 7/2008 Deng et al. D14/444
D575,789 S * 8/2008 Huang et al. D14/444

* cited by examiner

Primary Examiner—Freda S Nunn

(74) *Attorney, Agent, or Firm*—Frank R. Niranjan

(57) **CLAIM**

The ornamental design for front bezel for a computer enclosure, as shown and described.

DESCRIPTION

FIG. 1 is a perspective view of front bezel for a computer enclosure showing my design;

FIG. 2 is a front elevational view thereof;

FIG. 3 is a left side, elevational view thereof;

FIG. 4 is a right side, elevational view thereof;

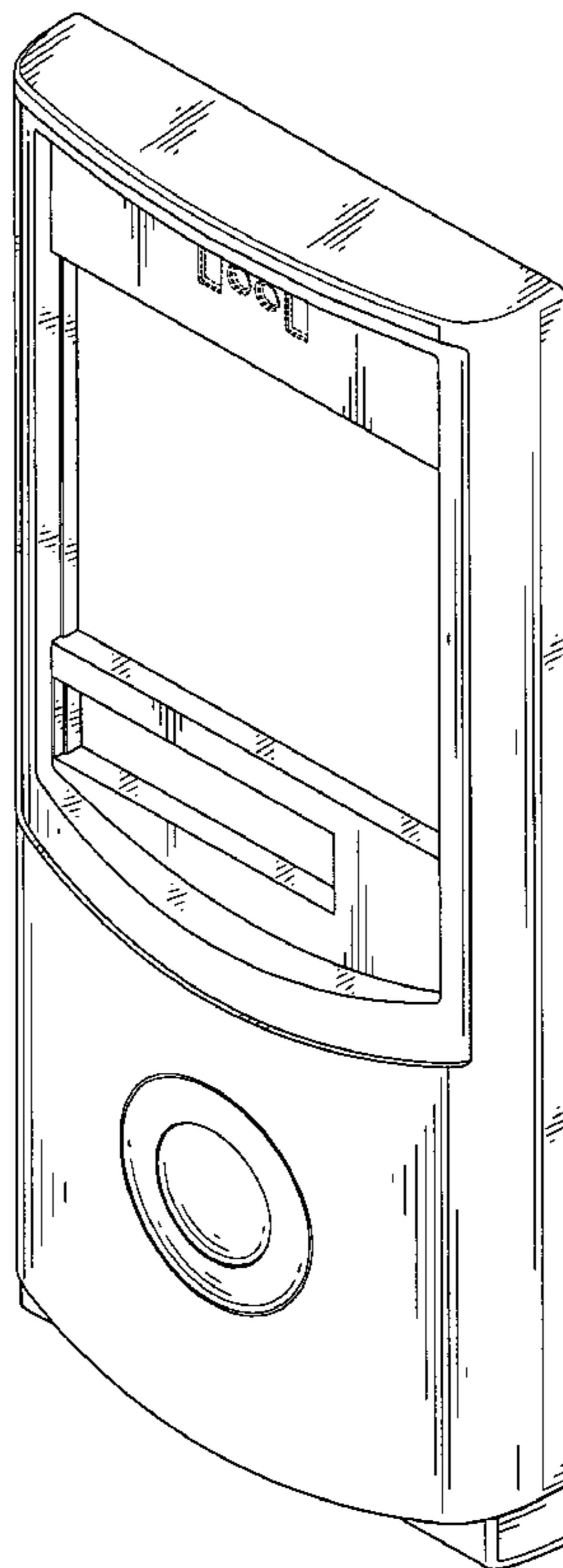
FIG. 5 is a top plan view thereof; and

FIG. 6 is a bottom plan view thereof; and,

FIG. 7 is a perspective view of the front bezel being mounted to a computer enclosure.

Broken lines shown in the drawings illustrate portions of computer enclosure and form no part of the claimed design.

1 Claim, 7 Drawing Sheets



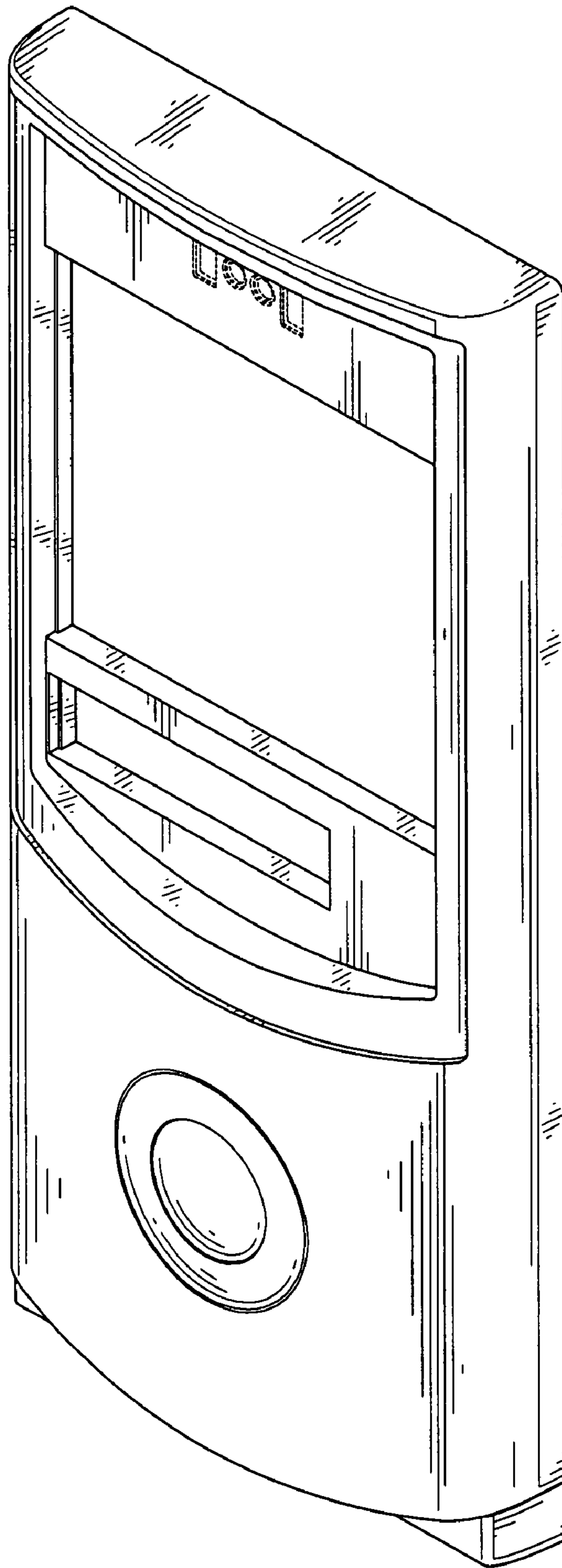


FIG. 1

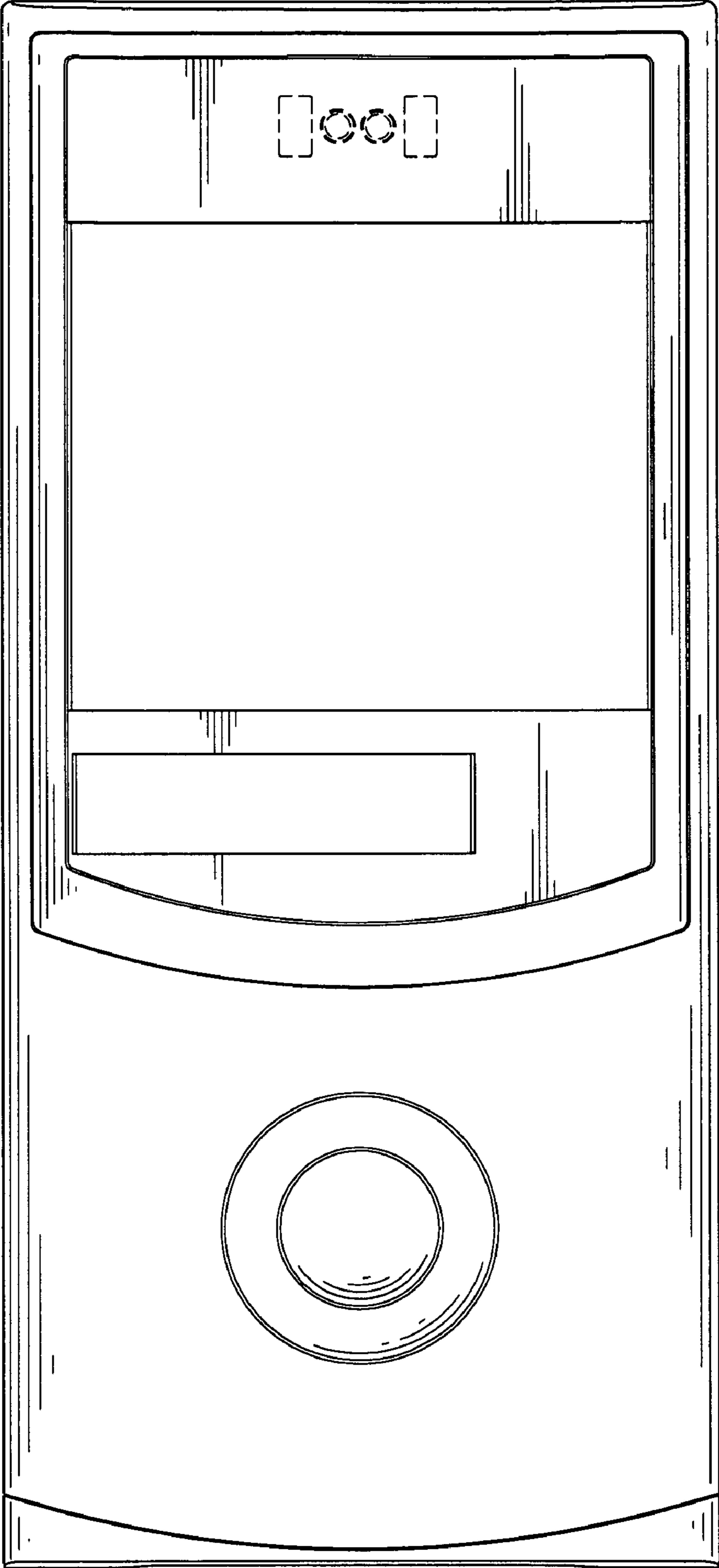


FIG. 2

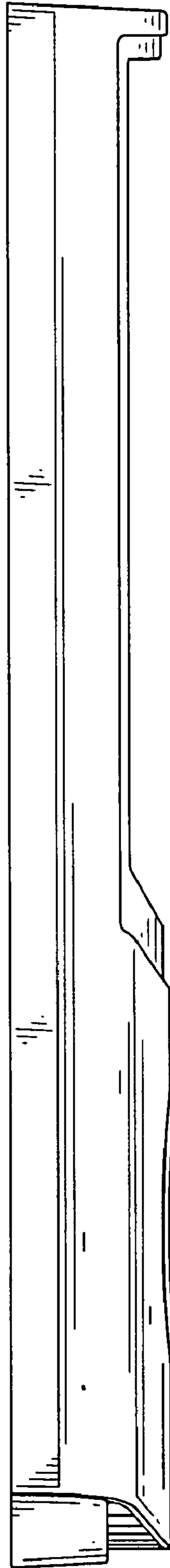


FIG. 3

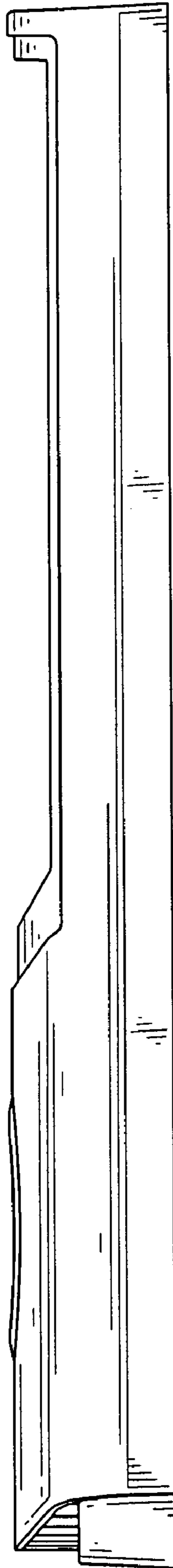


FIG. 4

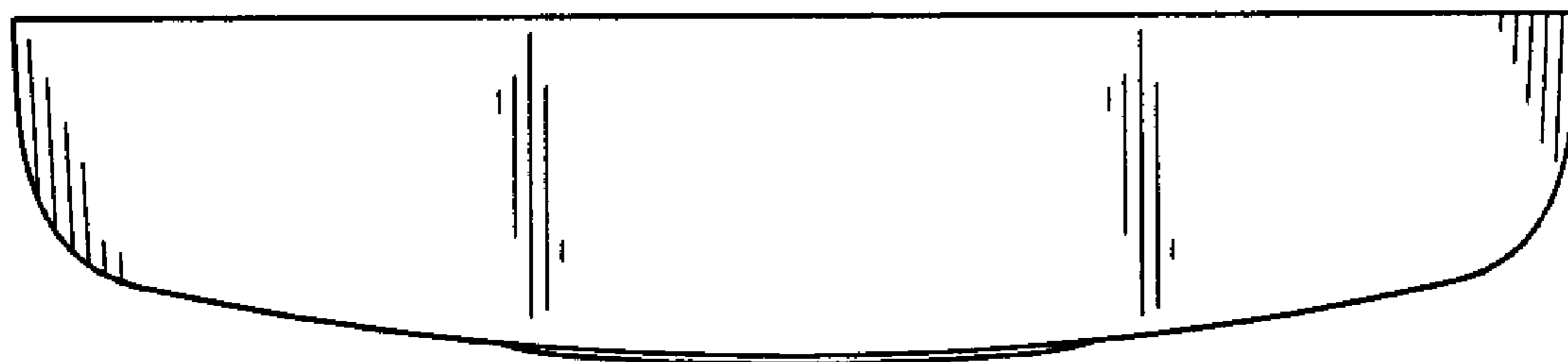


FIG. 5

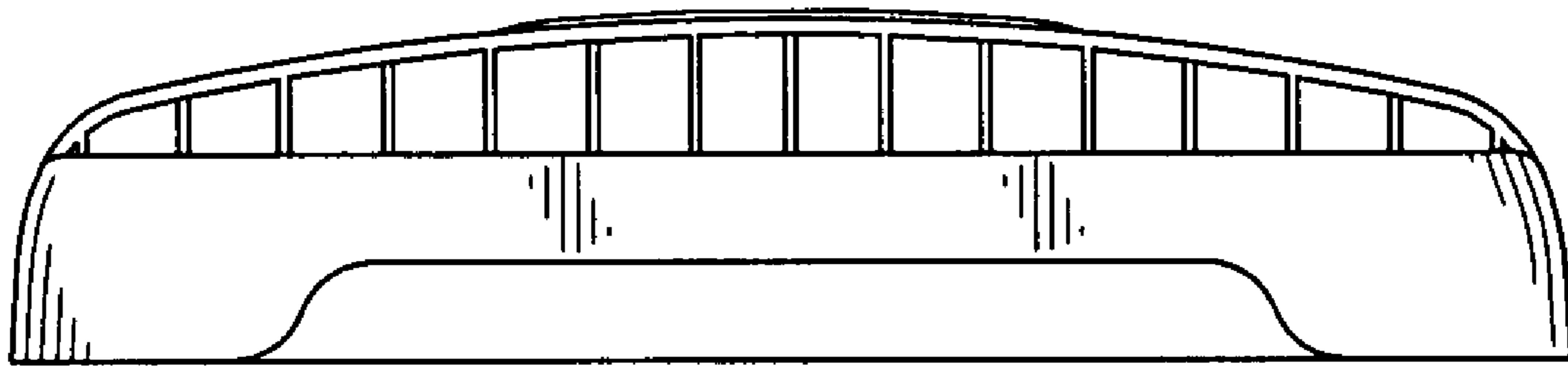


FIG. 6

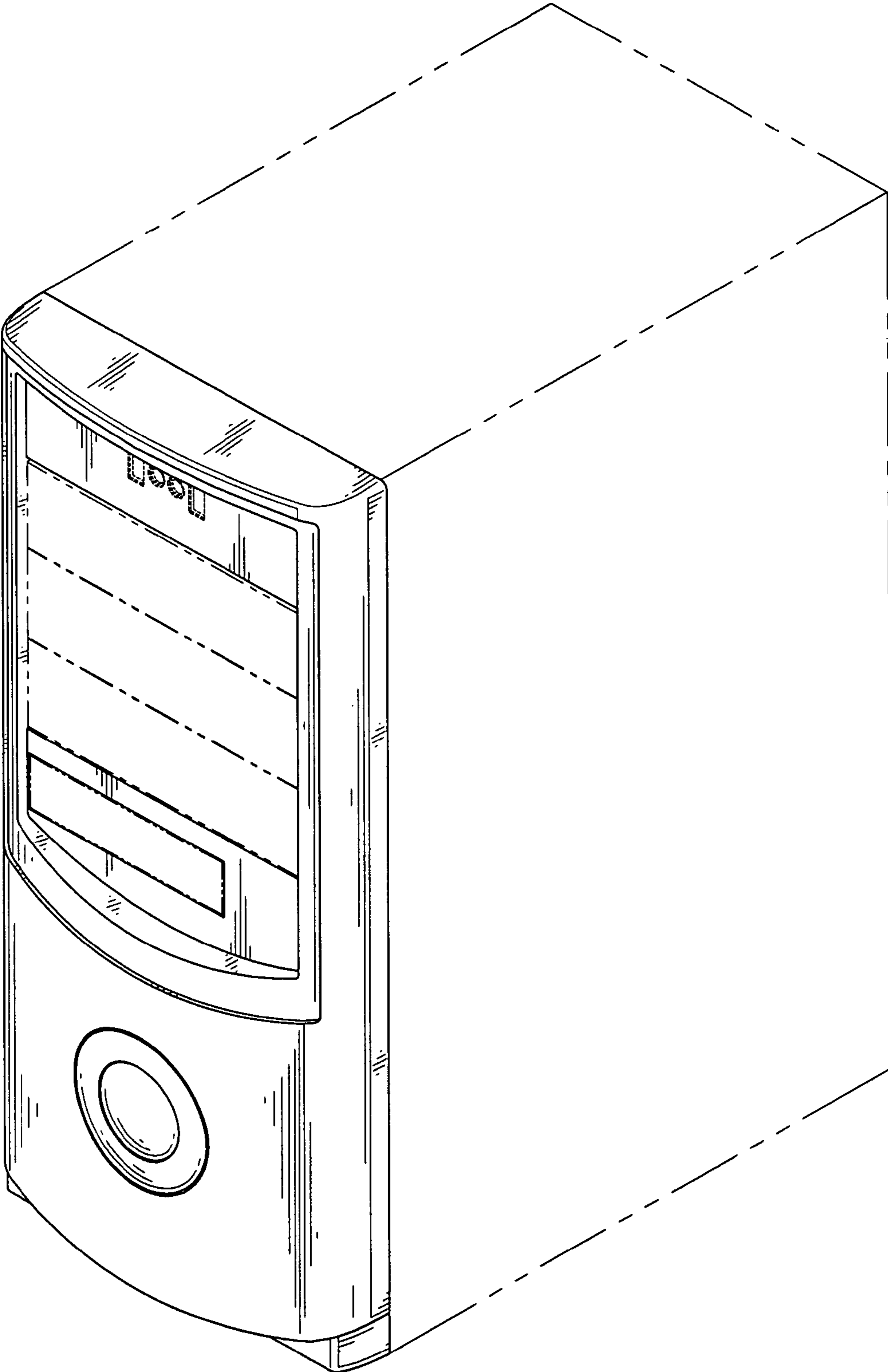


FIG. 7