



US00D614627S

(12) **United States Design Patent**
Lerner et al.

(10) **Patent No.:** **US D614,627 S**

(45) **Date of Patent:** **** Apr. 27, 2010**

(54) **HAND HELD SCANNING DEVICE**

(75) Inventors: **Harry B. Lerner**, Woodbury, NY (US);
Sean Kieley, MTL (CA); **Jason Chin Yen**, Singapore (SG)

(73) Assignee: **Janam Technologies, LLC**, Woodbury, NY (US)

(**) Term: **14 Years**

(21) Appl. No.: **29/313,279**

(22) Filed: **Dec. 22, 2008**

(51) **LOC (9) Cl.** **14-02**

(52) **U.S. Cl.** **D14/429**

(58) **Field of Classification Search** D14/420,
D14/426-430, 453, 346, 341, 347, 412, 138;
D13/107, 184; 358/473; 235/462.43, 462.45,
235/462.47, 462.48, 462.44, 462.46, 487,
235/472.01, 472.02, 145 A, 145 R; D10/78;
324/426; D3/273; 710/73; D18/7; 361/679;
382/313, 321; 455/575.1, 561, 572; 345/156,
345/168, 169, 172, 173, 87
See application file for complete search history.

(56) **References Cited**

U.S. PATENT DOCUMENTS

D334,922	S	*	4/1993	Meyerson et al.	D14/429
D381,975	S	*	8/1997	Trausch et al.	D14/426
D390,554	S	*	2/1998	Larson et al.	D14/137
5,736,726	A	*	4/1998	VanHorn et al.	235/472.02
5,763,864	A	*	6/1998	O'Hagan et al.	235/462.07
5,818,027	A	*	10/1998	Paratore	235/472.01
5,996,896	A	*	12/1999	Grabon	235/472.02
6,039,256	A	*	3/2000	Konosu et al.	235/462.43
D463,425	S	*	9/2002	Jenkins	D14/347
6,633,483	B2	*	10/2003	Akagi et al.	361/679.4
D494,593	S	*	8/2004	Wulff et al.	D14/429
D496,366	S	*	9/2004	Croley et al.	D14/429
6,822,853	B2	*	11/2004	Wulff et al.	361/679.08
D512,427	S	*	12/2005	Choi et al.	D14/428

Primary Examiner—Susan Moon Lee

(74) *Attorney, Agent, or Firm*—Thomas A. O'Rourke;
Bodner & O'Rourke, LLP

(57) **CLAIM**

The ornamental design for a hand held scanning device, as shown and described.

DESCRIPTION

FIG. 1 is a top view of a hand held scanning device of the present invention;

FIG. 2 is a bottom view of the scanning device of FIG. 1;

FIG. 3 is a front view of the scanning device of FIG. 1;

FIG. 4 is a rear view of the scanning device of FIG. 1;

FIG. 5 is a left side view of the scanning device of FIG. 1;

FIG. 6 is a right side view of the scanning device of FIG. 1;

FIG. 7 is a front perspective view of the scanning device of FIG. 1;

FIG. 8 is a left side perspective view of the scanning device of FIG. 1;

FIG. 9 is a rear side perspective view of the scanning device of FIG. 1;

FIG. 10 is a right side perspective view of the scanning device of FIG. 1;

FIG. 11 is a bottom front perspective view of the scanning device of FIG. 1;

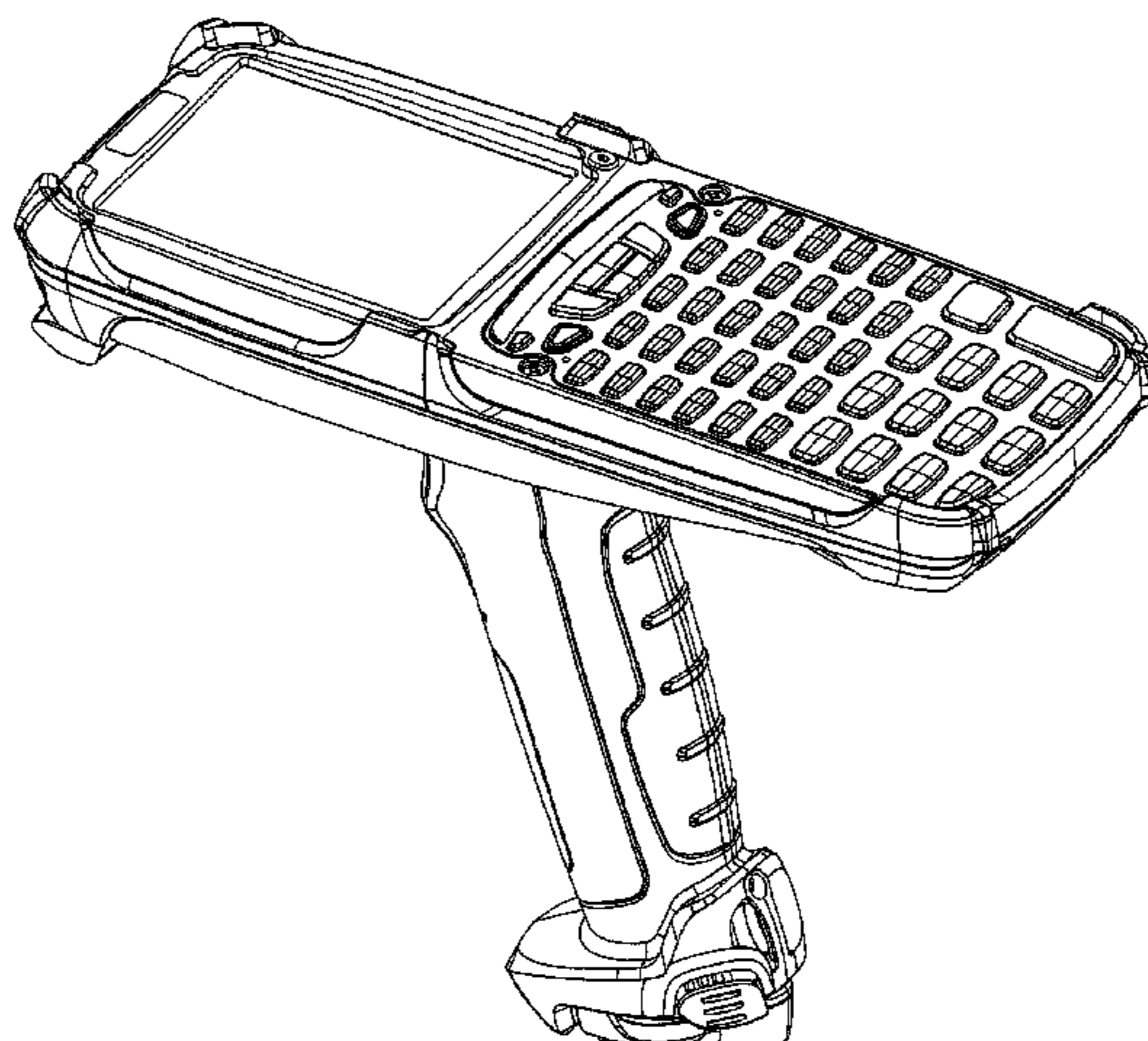
FIG. 12 is a bottom left side perspective view of the scanning device of FIG. 1;

FIG. 13 is a bottom rear perspective view of the scanning device of FIG. 1; and,

FIG. 14 is a bottom right side perspective view of the scanning device of FIG. 1.

(Continued)

1 Claim, 14 Drawing Sheets



US D614,627 S

Page 2

U.S. PATENT DOCUMENTS

D529,943	S *	10/2006	Chiu et al.	D18/4.4	D604,303	S *	11/2009	Boyd	D14/453
D539,294	S *	3/2007	Croley et al.	D14/453	2003/0121981	A1 *	7/2003	Slutsky et al.	235/462.45
7,195,168	B2 *	3/2007	Wulff	235/462.45	2004/0089722	A1 *	5/2004	Durbin	235/472.01
7,195,169	B2 *	3/2007	Bhatia et al.	235/472.01	2005/0017078	A1 *	1/2005	Bhatia et al.	235/462.45
D540,333	S *	4/2007	Croley et al.	D14/453	2006/0278715	A1 *	12/2006	Hamilton et al.	235/472.01
D558,776	S *	1/2008	Croley et al.	D14/453	2007/0158428	A1 *	7/2007	Havens et al.	235/462.45
7,347,375	B2 *	3/2008	Durbin	235/462.45	2007/0158429	A1 *	7/2007	Bhatia et al.	235/462.45
D571,808	S *	6/2008	Dorr et al.	D14/429	2008/0006699	A1 *	1/2008	Hattersley et al.	235/472.01
7,416,129	B2 *	8/2008	Bhatia et al.	235/472.01	2009/0224039	A1 *	9/2009	Hause et al.	235/385

* cited by examiner

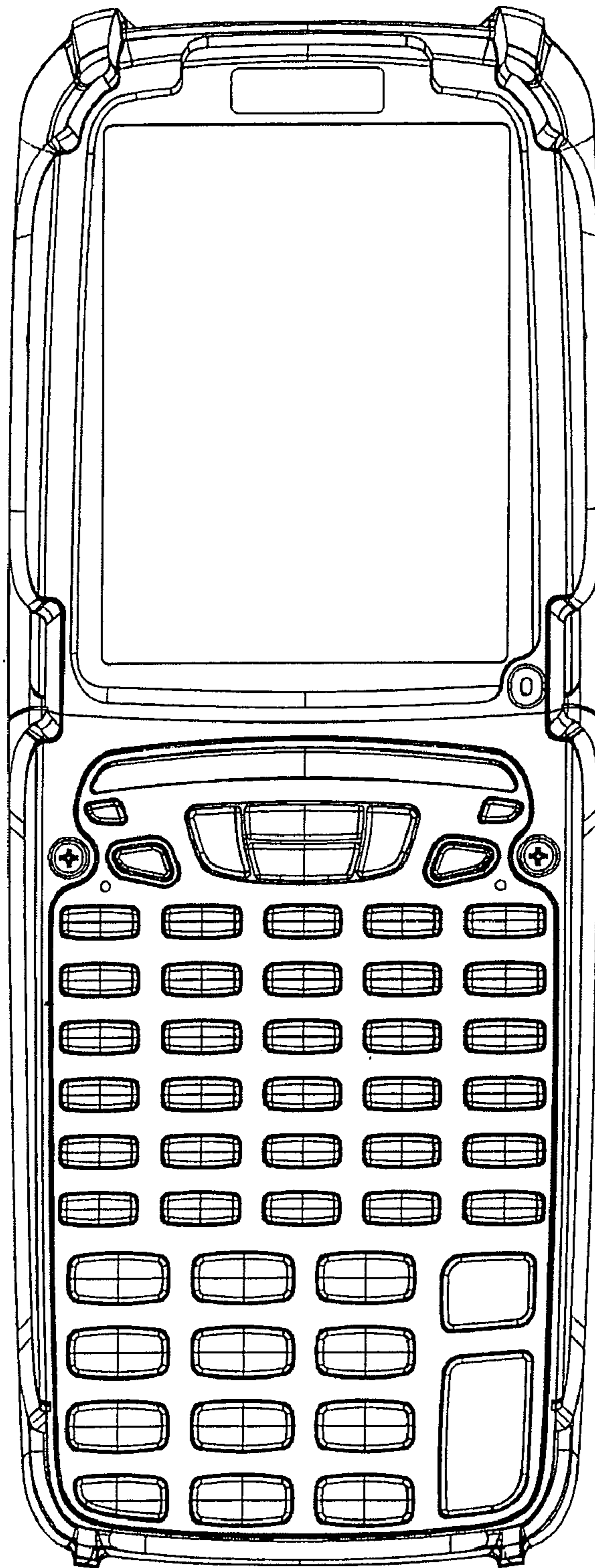


FIGURE 1

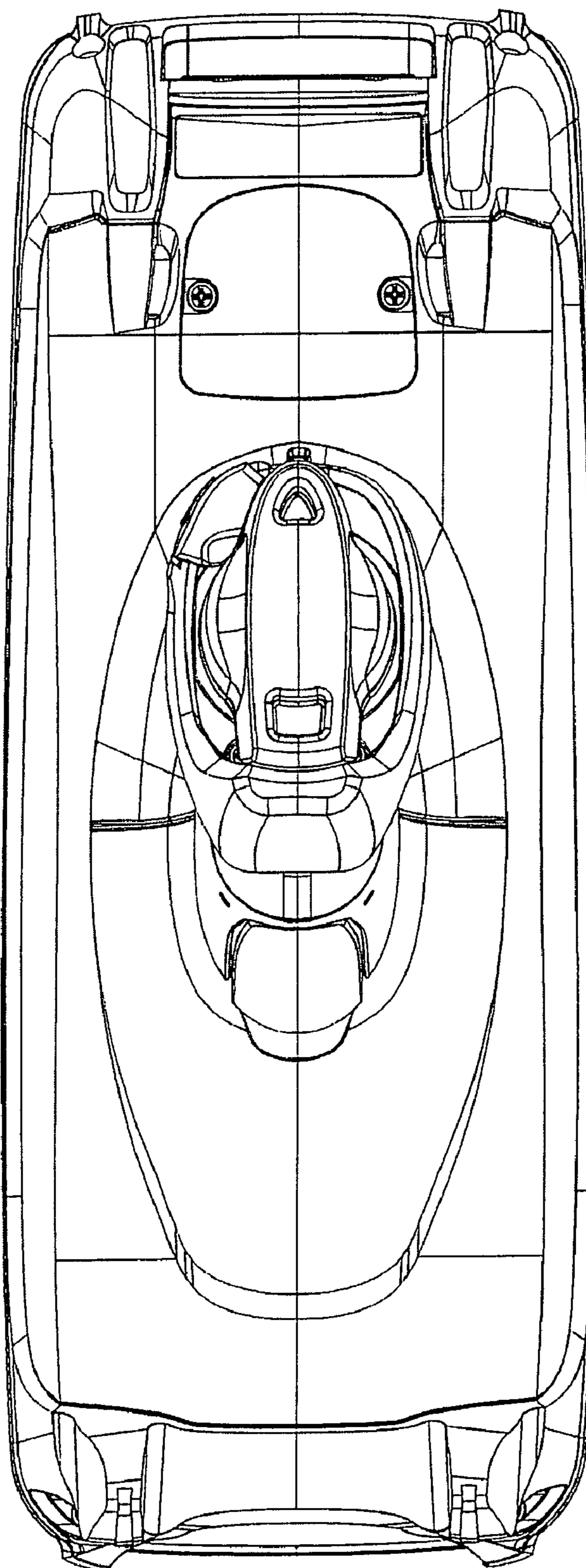


FIGURE 2

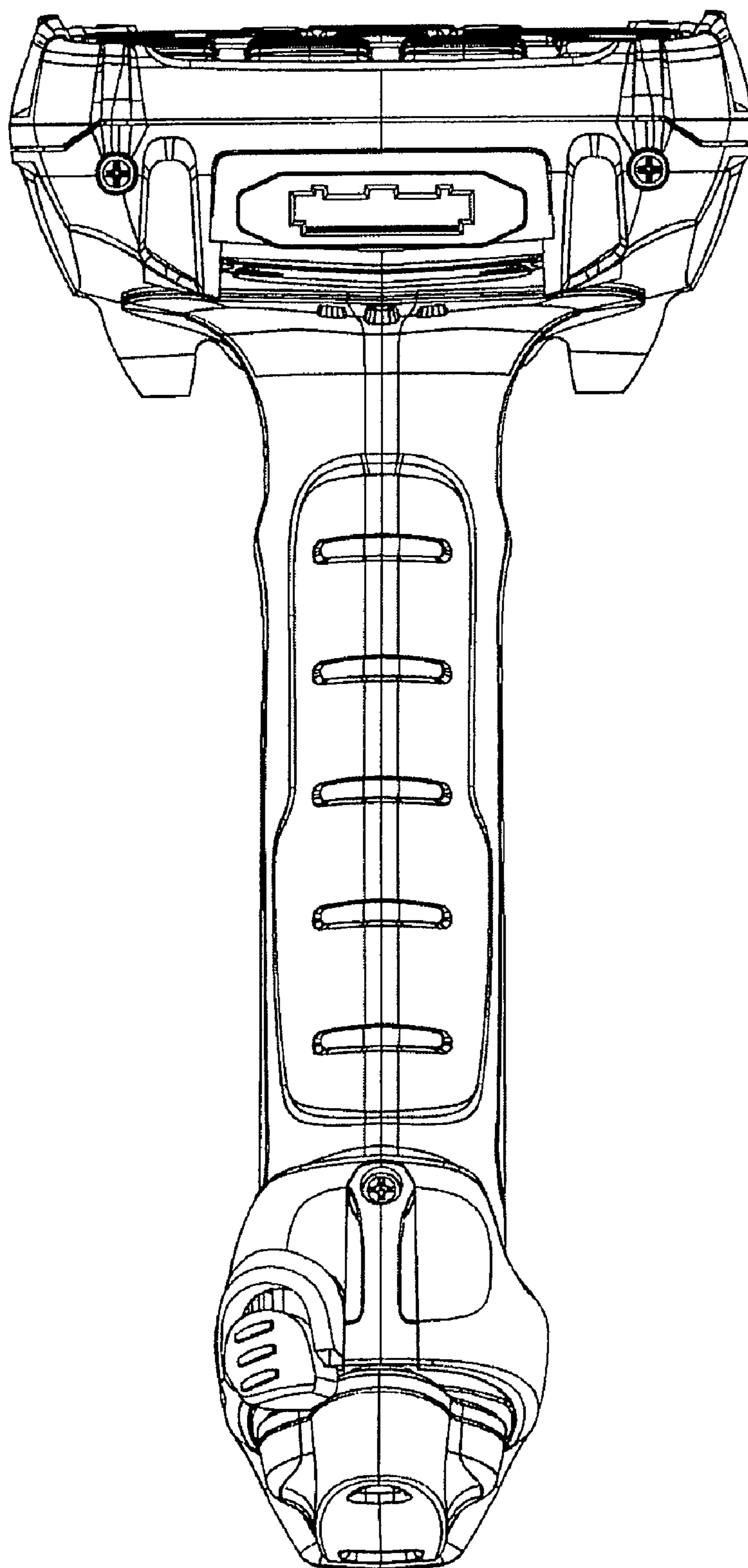


FIGURE 3

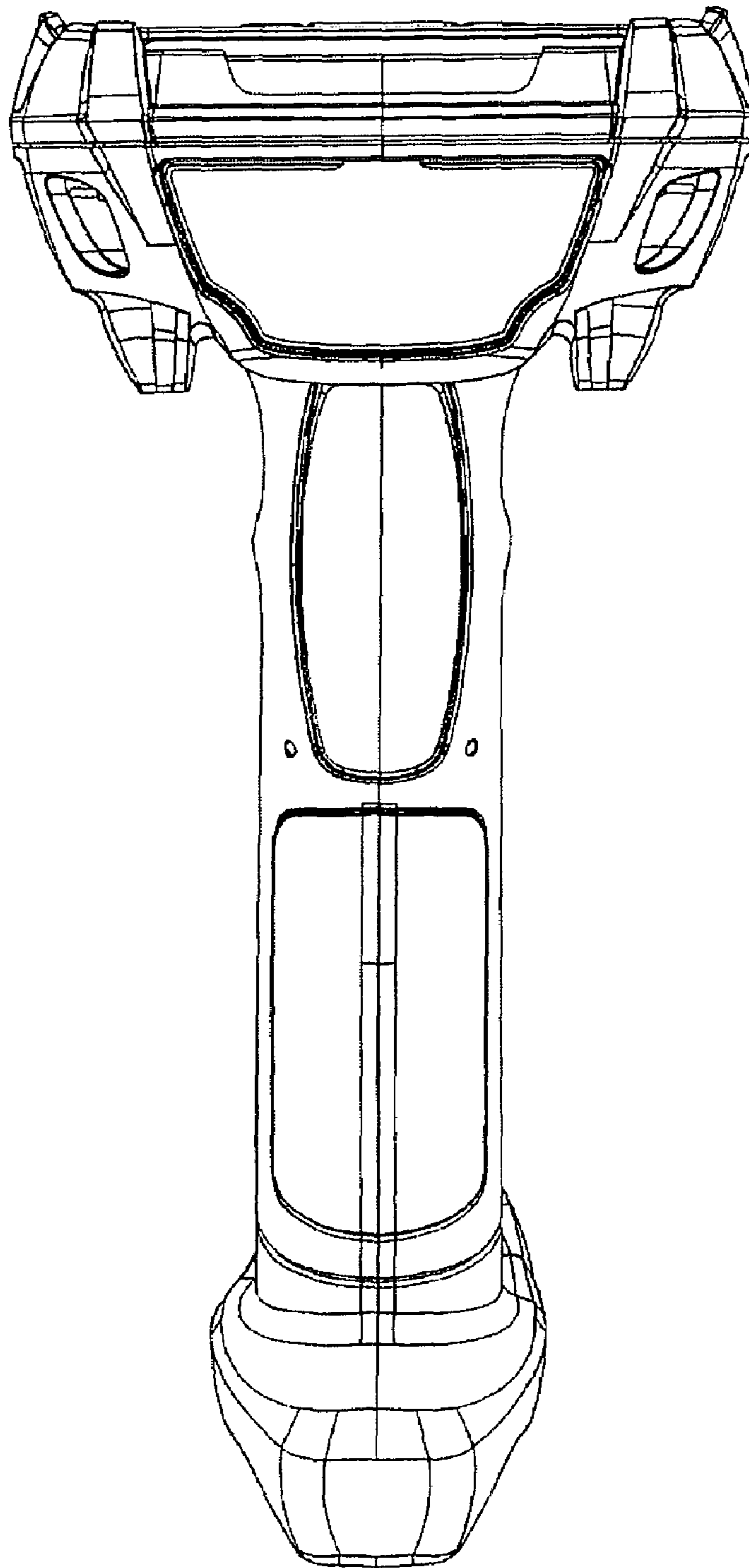


FIGURE 4

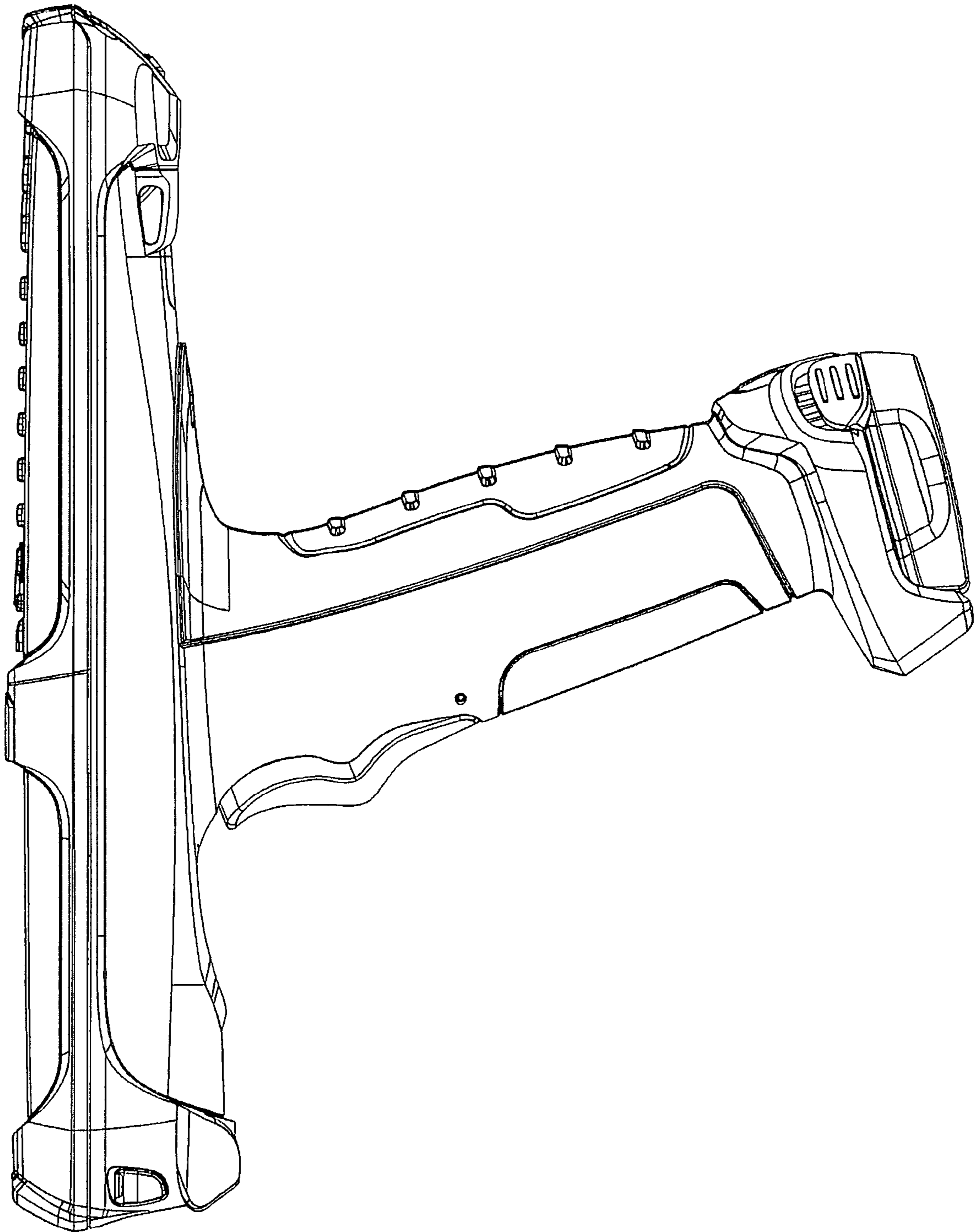


FIGURE 5

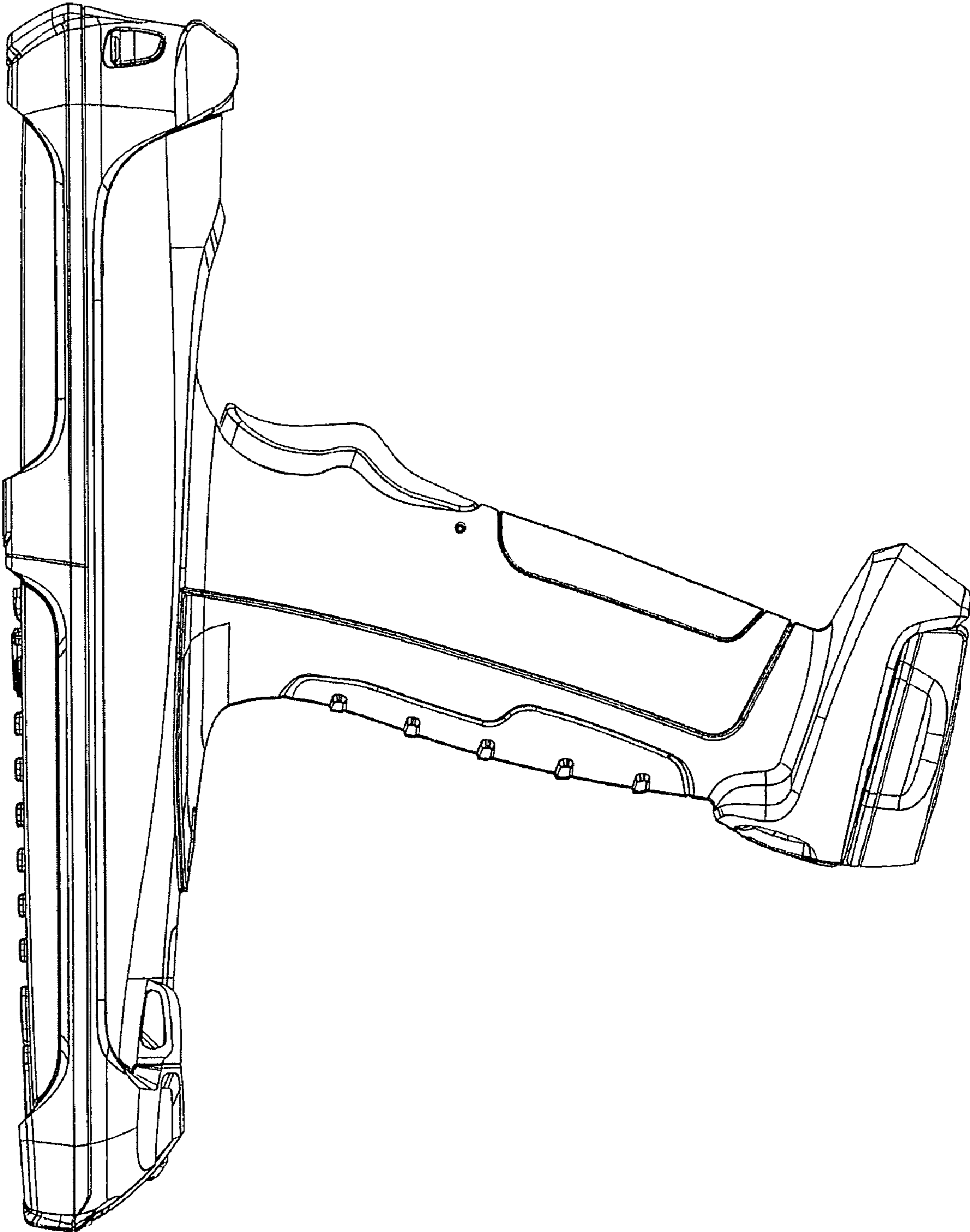


FIGURE 6



FIGURE 7

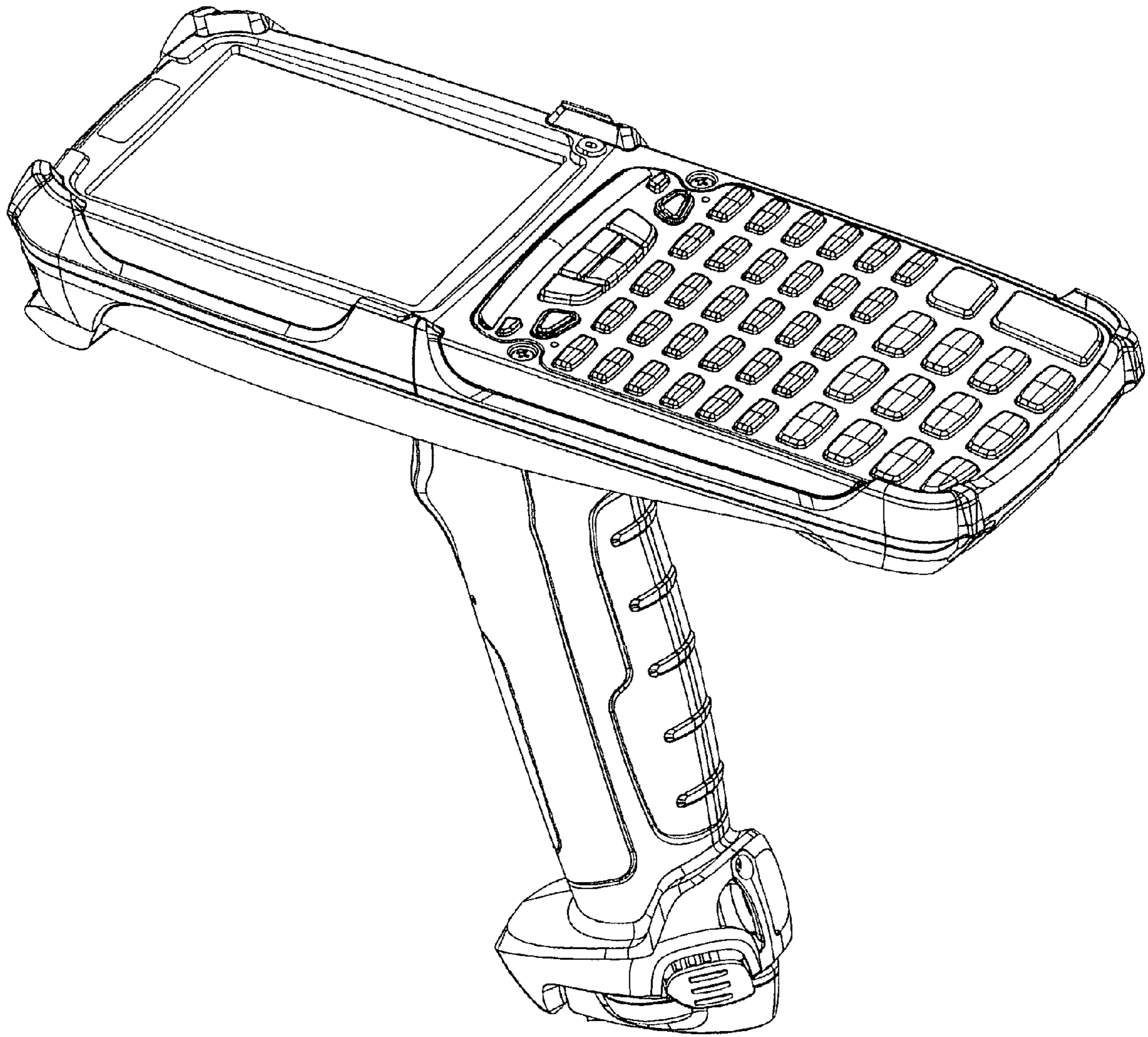


FIGURE 8

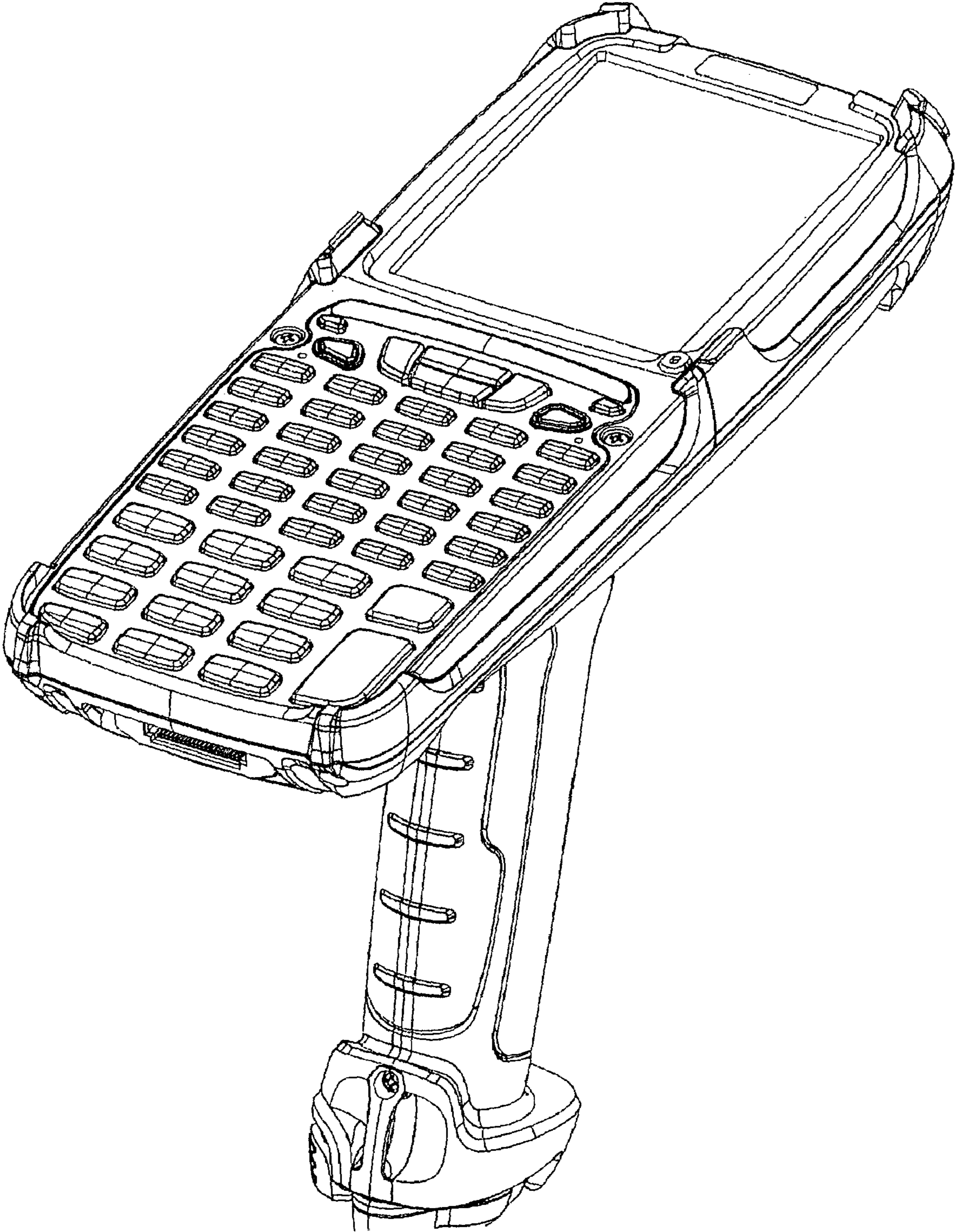


FIGURE 9

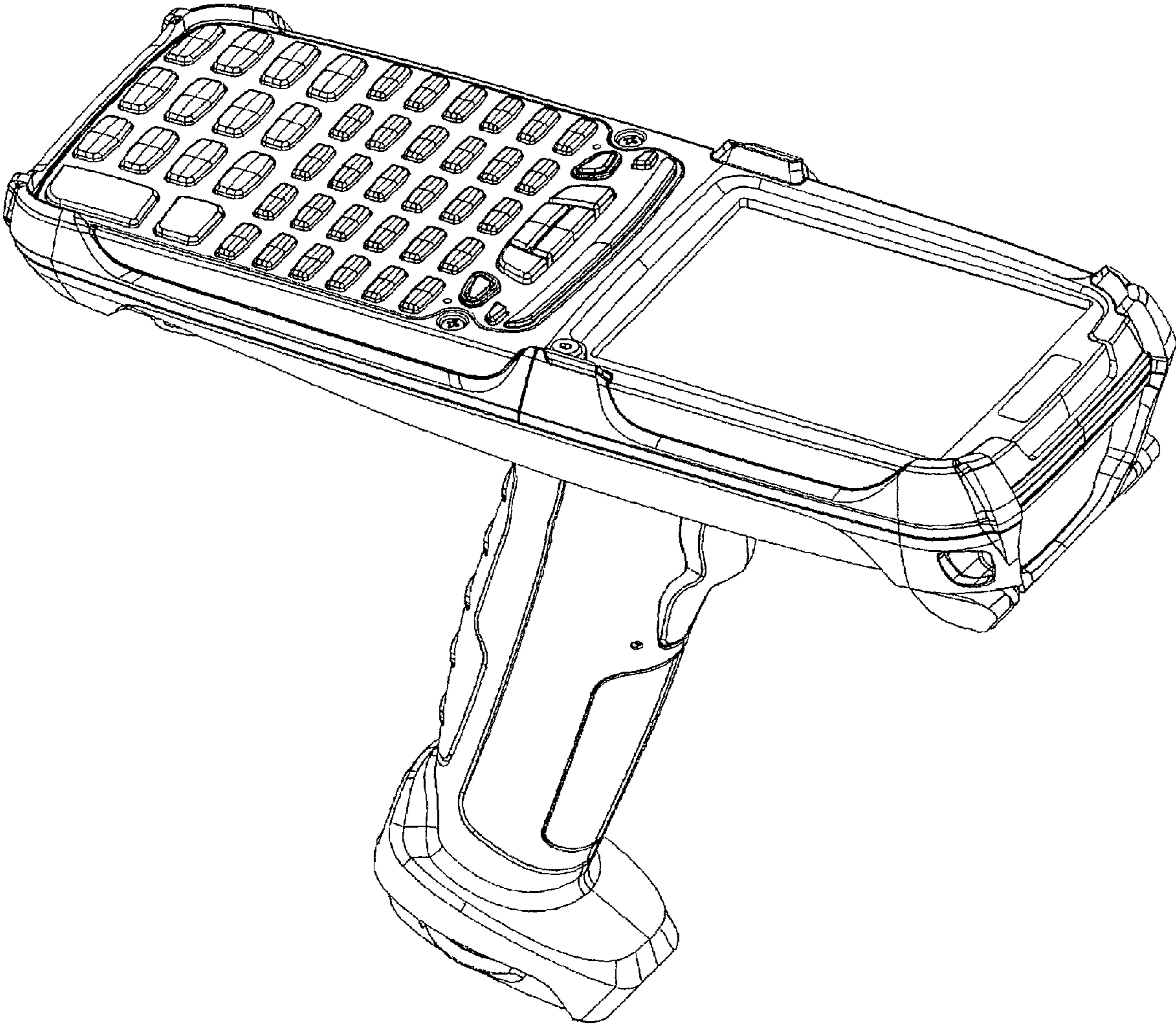


FIGURE 10

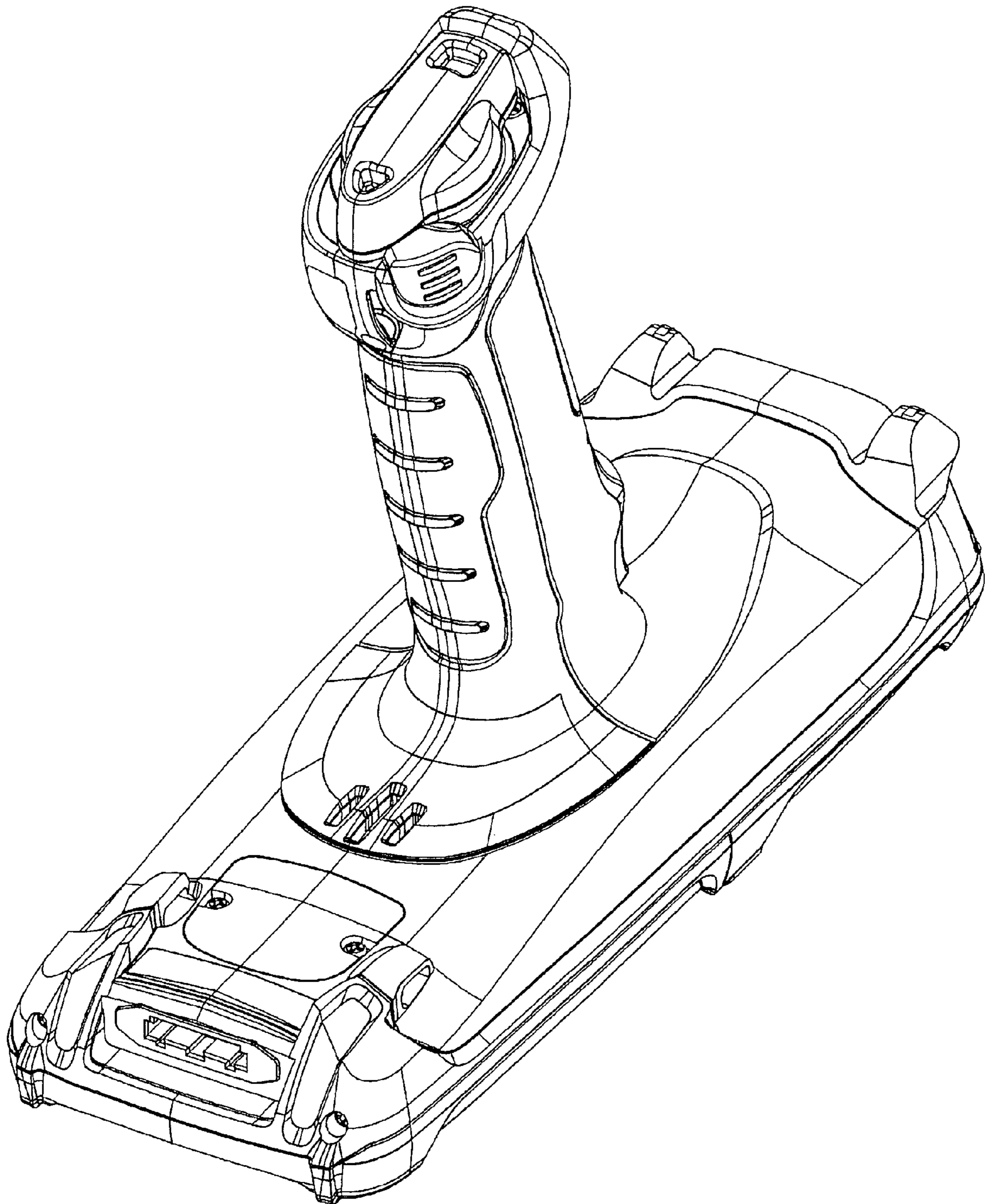


FIGURE 11

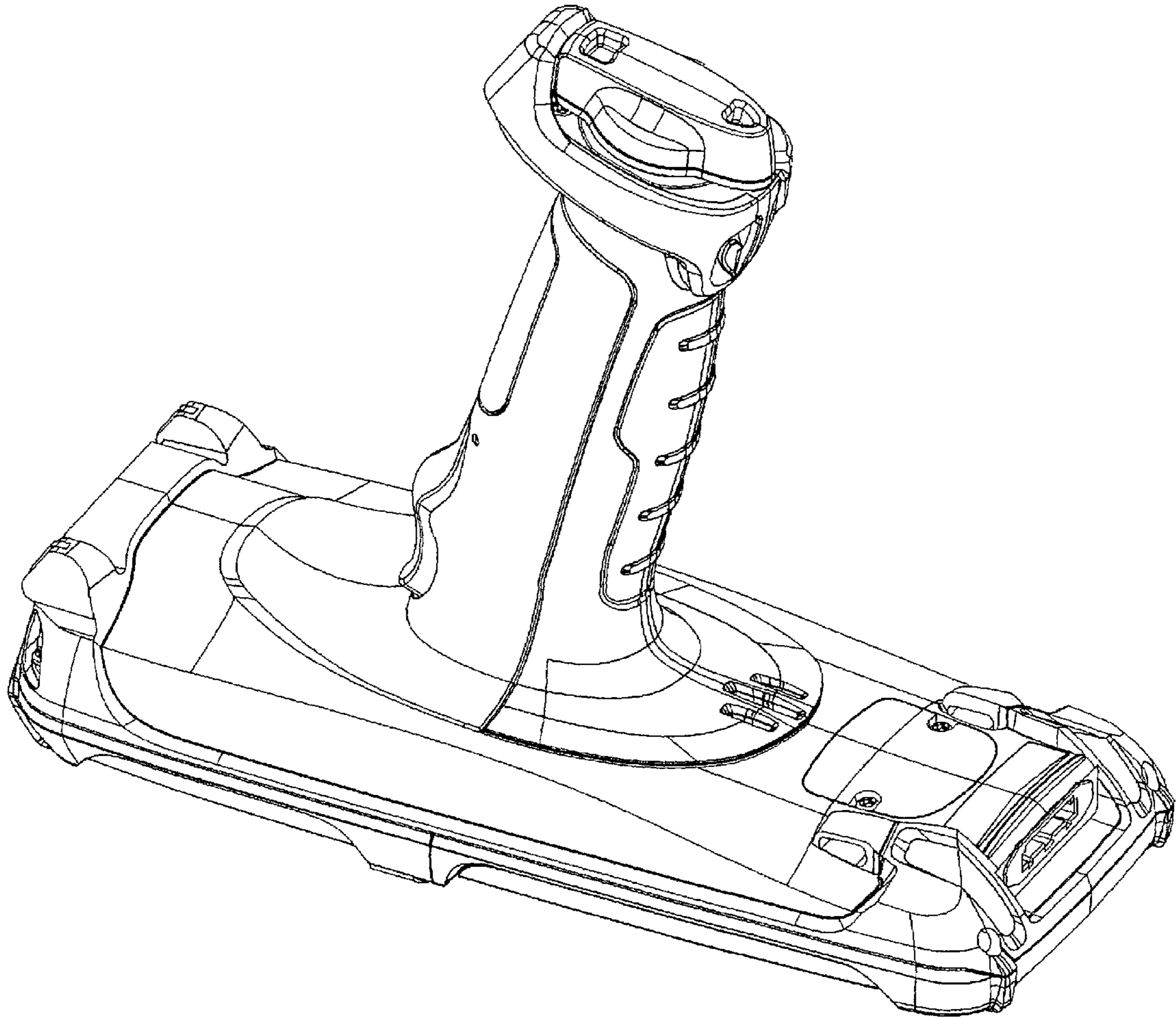


FIGURE 12

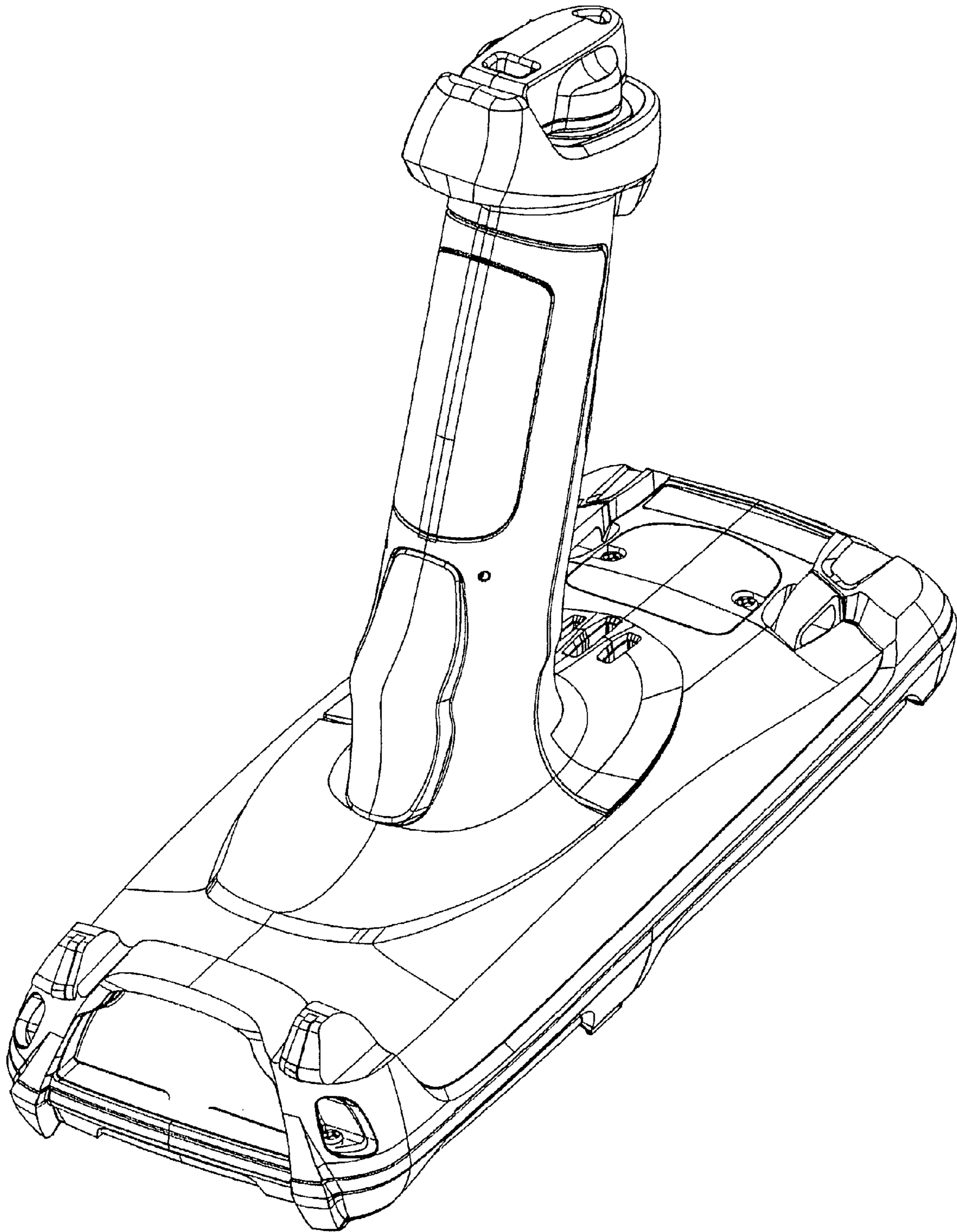


FIGURE 13

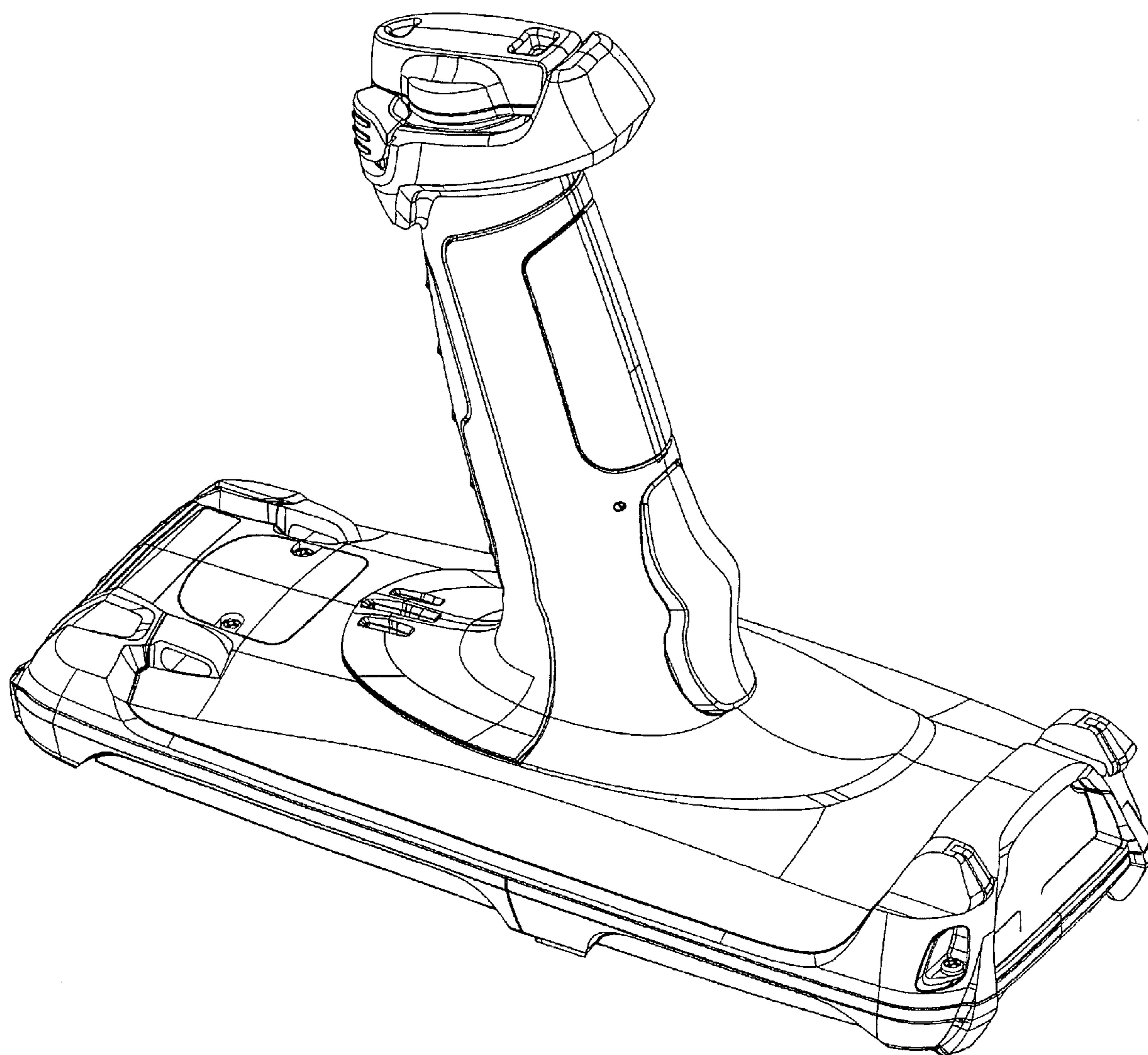


FIGURE 14